

US00D730095S

(12) **United States Design Patent**
Fletcher

(10) **Patent No.:** **US D730,095 S**

(45) **Date of Patent:** **** May 26, 2015**

(54) **DESK**

(71) Applicant: **Virco Mfg. Corporation**, Torrance, CA
(US)

(72) Inventor: **Scott Fletcher**, Redondo Beach, CA
(US)

(73) Assignee: **VIRCO MFG. CORPORATION**,
Torrance, CA (US)

(**) Term: **14 Years**

(21) Appl. No.: **29/477,139**

(22) Filed: **Dec. 19, 2013**

(51) **LOC (10) Cl.** **06-01**

(52) **U.S. Cl.**
USPC **D6/708.16**; D6/709.2; D6/338

(58) **Field of Classification Search**
CPC A47C 1/14; A47C 3/16-3/20; A47C 4/00;
A47C 4/28; A47C 5/02; A47C 5/04; A47C
5/043; A47C 7/00-7/006; A47C 7/02; A47C
7/68; A47C 9/00; A47C 9/02; A47C 9/002;
A47C 9/007; A47C 9/025; A47C 9/10;
A47C 11/00; A47C 12/00; A47C 13/00;
A47C 16/02; A47C 11/002; A47B 39/00;
A47B 41/00
USPC D6/333, 335, 336, 338, 340, 344, 347,
D6/349-355, 358, 360, 363-365, 381, 596,
D6/601, 685, 687, 688.15, 688.27, 690,
D6/691, 692.3, 708.16, 708.21, 708.22,
D6/709, 709.2, 709.22, 711, 716-716.7,
D6/717

See application file for complete search history.

(56) **References Cited**

U.S. PATENT DOCUMENTS

1,420,404 A 6/1922 Beaver
1,452,343 A 4/1923 Jones

(Continued)

OTHER PUBLICATIONS

Canadian Office Action dated Jan. 21, 2013 for CA Application No.
146903, titled "Chair with Curved Legs" (4 pages).

(Continued)

Primary Examiner — Susan Bennett Hattan

Assistant Examiner — Vy Koenig

(74) *Attorney, Agent, or Firm* — Dentons L. Anderson;
Robert M. Hupe; Leech Tishman Fuscaldo & Lampl

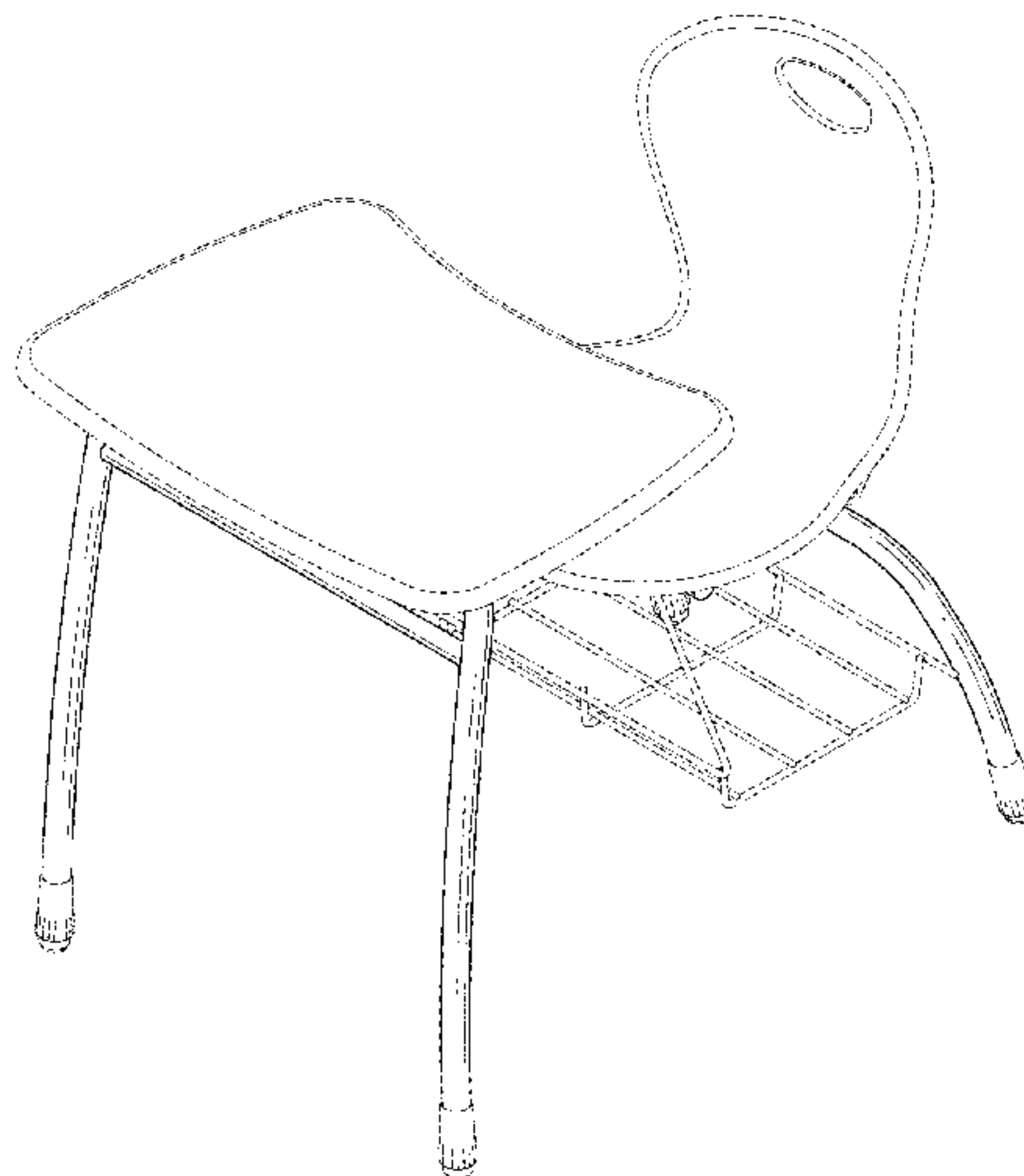
(57) **CLAIM**

The ornamental design for a desk, as shown and described.

DESCRIPTION

FIG. 1 is a perspective view showing the new design, the broken lines depict environmental subject matter only and form no part of the claimed design; FIG. 2 is a front view of the desk illustrated in FIG. 1, the broken lines depict environmental subject matter only and form no part of the claimed design; FIG. 3 is a rear view of the desk illustrated in FIG. 1, the broken lines depict environmental subject matter only and form no part of the claimed design; FIG. 4 is a first side view of the desk illustrated in FIG. 1, the broken lines depict environmental subject matter only and form no part of the claimed design; FIG. 5 is a second side view of the desk illustrated in FIG. 1, the broken lines depict environmental subject matter only and form no part of the claimed design; FIG. 6 is a top view of the desk illustrated in FIG. 1, the broken lines depict environmental subject matter only and form no part of the claimed design; FIG. 7 is a bottom view of the desk illustrated in FIG. 1, the broken lines depict environmental subject matter only and form no part of the claimed design; and, FIG. 8 is a second perspective view of the desk illustrated in FIG. 1, the broken lines depict environmental subject matter only and form no part of the claimed design.

1 Claim, 5 Drawing Sheets



(56)

References Cited

U.S. PATENT DOCUMENTS

D163,170 S 5/1951 Eibetz
 D164,099 S * 7/1951 Choate D6/336
 D169,932 S 6/1953 Chapman et al.
 D170,005 S 7/1953 Chapman et al.
 2,722,965 A 11/1955 Chapman et al.
 2,732,007 A 1/1956 MacWhirter
 D181,703 S 12/1957 Bargaen et al.
 2,921,623 A * 1/1960 Humphries et al. 297/344.21
 2,970,635 A 2/1961 Fields
 3,020,086 A 2/1962 Barber
 D198,628 S 7/1964 Chapman et al.
 D206,721 S * 1/1967 Durfee D6/338
 D207,850 S 6/1967 Durfee et al.
 4,002,369 A 1/1977 Jennings
 D360,083 S * 7/1995 Lohmeyer D6/375
 D470,320 S 2/2003 Schloss
 D471,730 S 3/2003 Schloss
 D475,207 S * 6/2003 Bohl et al. D6/338
 D477,921 S * 8/2003 Bosman et al. D6/338
 D505,022 S 5/2005 Mills
 D513,892 S * 1/2006 Glass et al. D6/338
 D514,829 S * 2/2006 Glass et al. D6/336

D521,282 S * 5/2006 Glass et al. D6/500
 D521,751 S * 5/2006 Glass et al. D6/338
 D522,265 S 6/2006 Glass
 D522,777 S * 6/2006 Glass et al. D6/500
 D523,265 S * 6/2006 Glass et al. D6/500
 7,059,670 B2 * 6/2006 Mills et al. 297/174 R
 D542,039 S 5/2007 Glass
 D589,725 S 4/2009 Adams et al.
 D609,506 S 2/2010 Adams et al.
 D649,368 S * 11/2011 Benden D6/338
 D649,369 S * 11/2011 Benden D6/338

OTHER PUBLICATIONS

Canadian Office Action dated Feb. 11, 2014 for CA Application No. 146903, titled "Chair with Curved Legs" (5 pages).
 Canadian Office Action dated Jan. 21, 2013 for CA Application No. 146900, titled "Chair with Curved Legs and Back Support" (2 pages).
 Canadian Office Action dated Jan. 21, 2013 for CA Application No. 146901, titled "Chair with Curved Legs" (4 pages).
 Canadian Office Action dated Feb. 10, 2014 for CA Application No. 146901, titled "Chair with Curved Legs" (5 pages).
 Canadian Office Action dated Jan. 21, 2013 for CA Application No. 146902, titled "Chair with Curved Legs and Back Support" (2 pages).

* cited by examiner

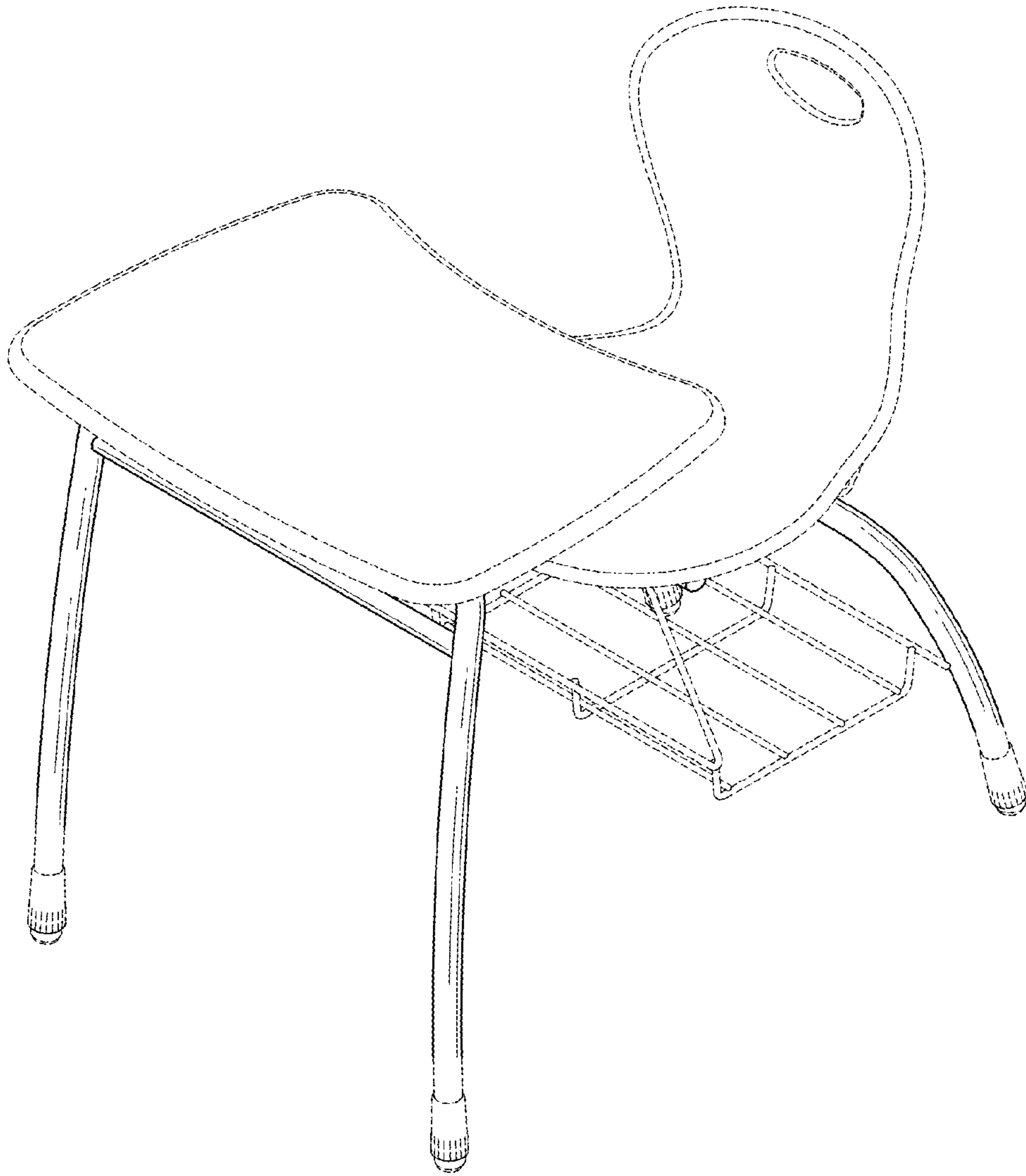


FIG. 1

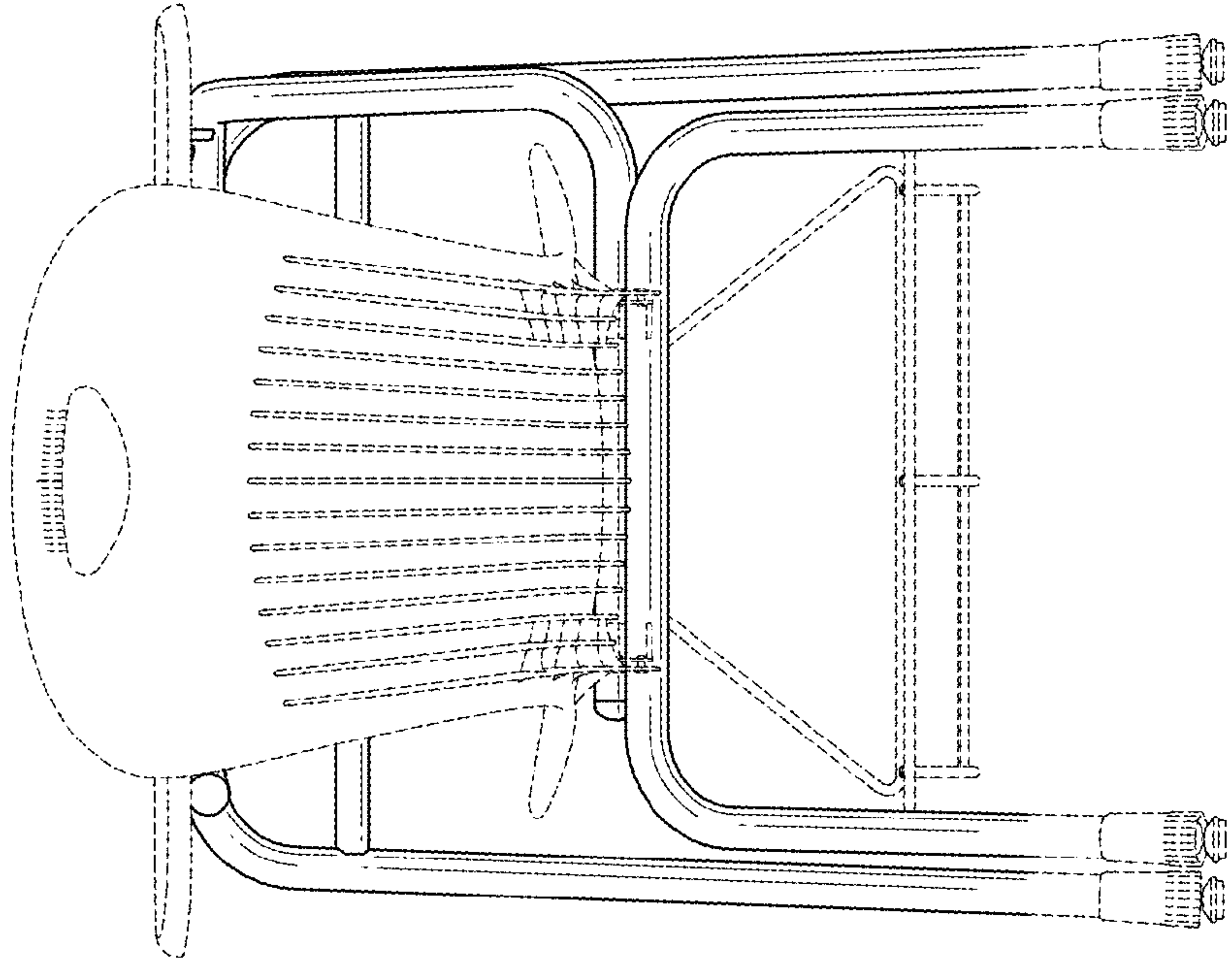


Fig. 3

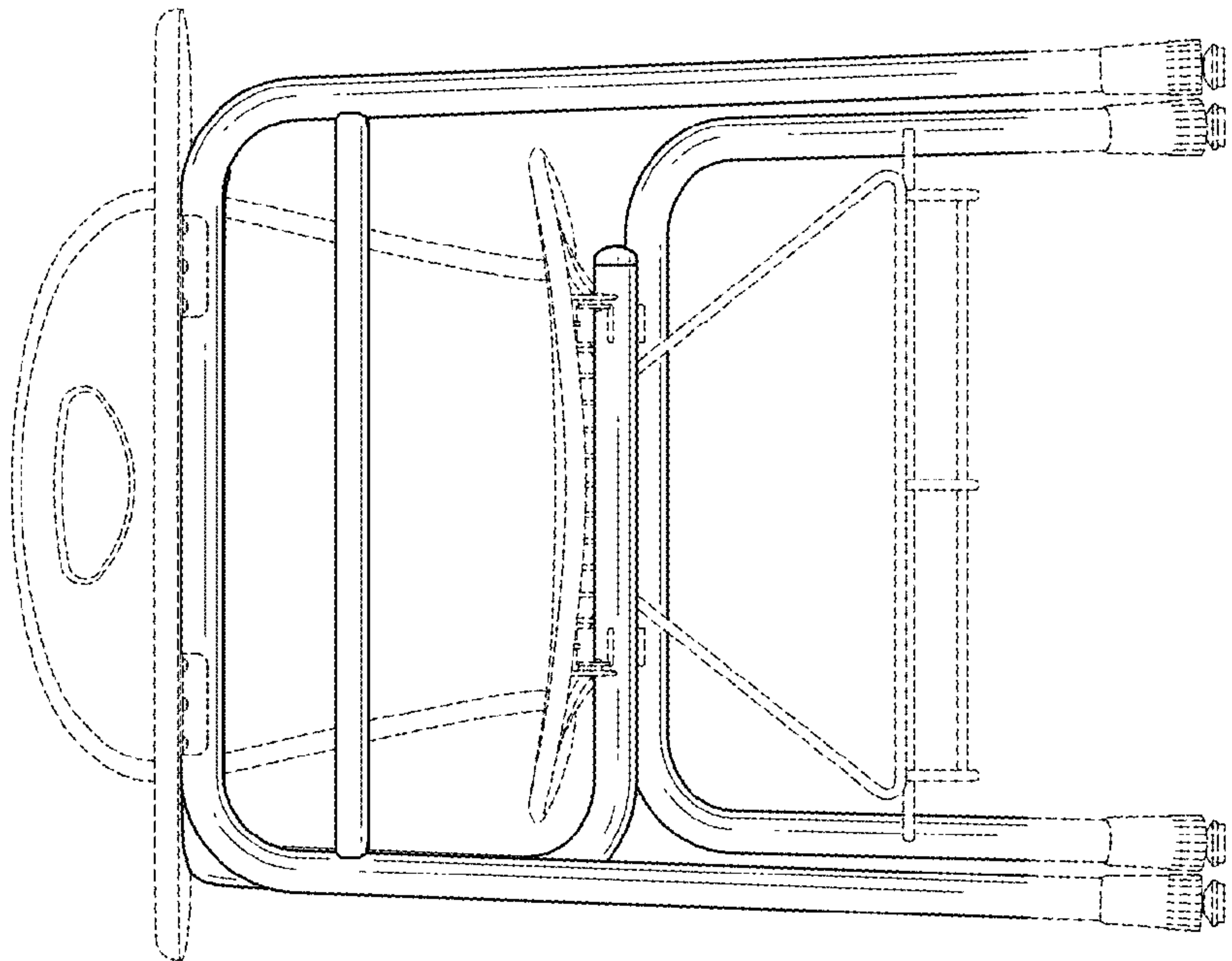


Fig. 2

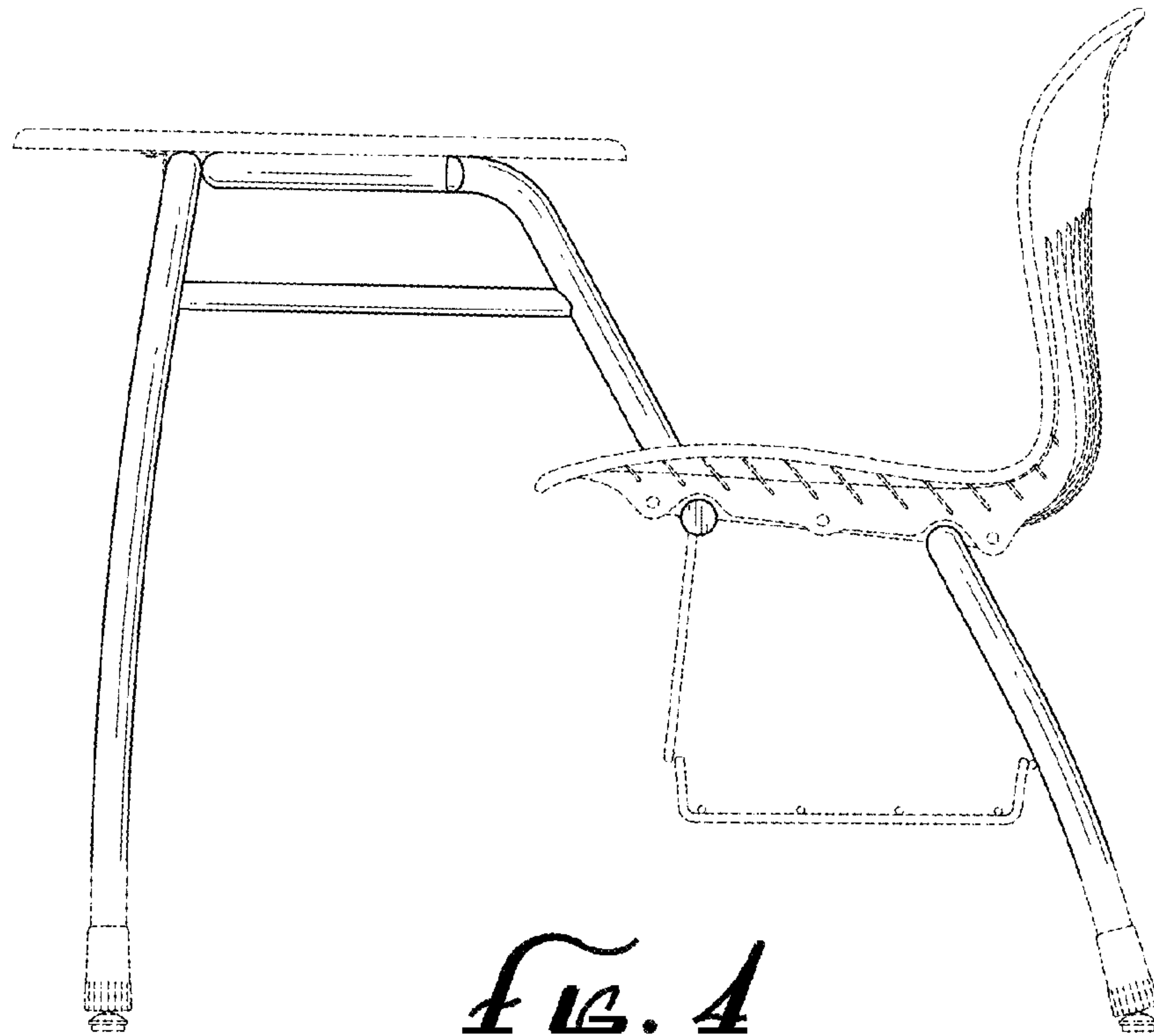


FIG. 4

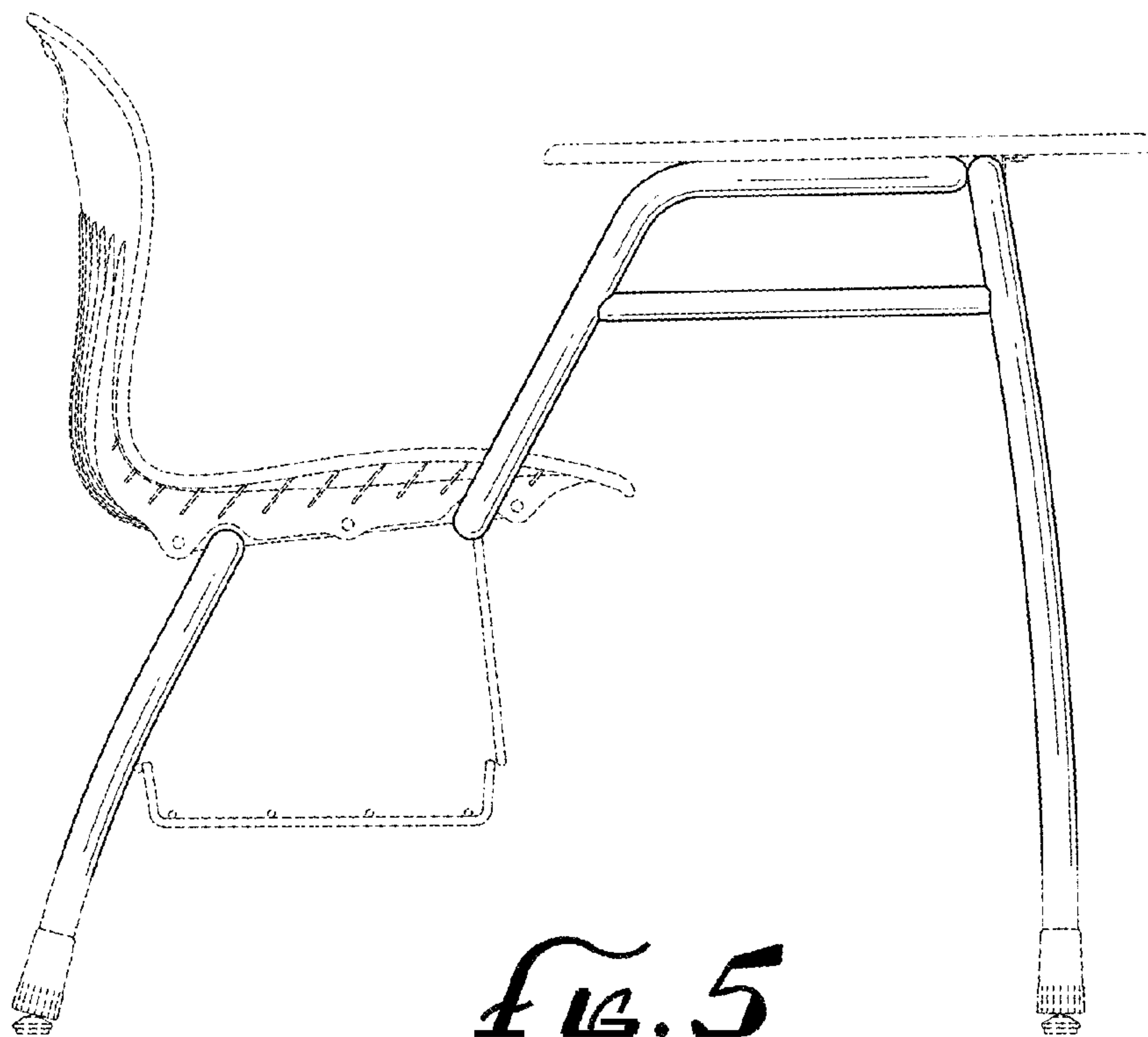


FIG. 5

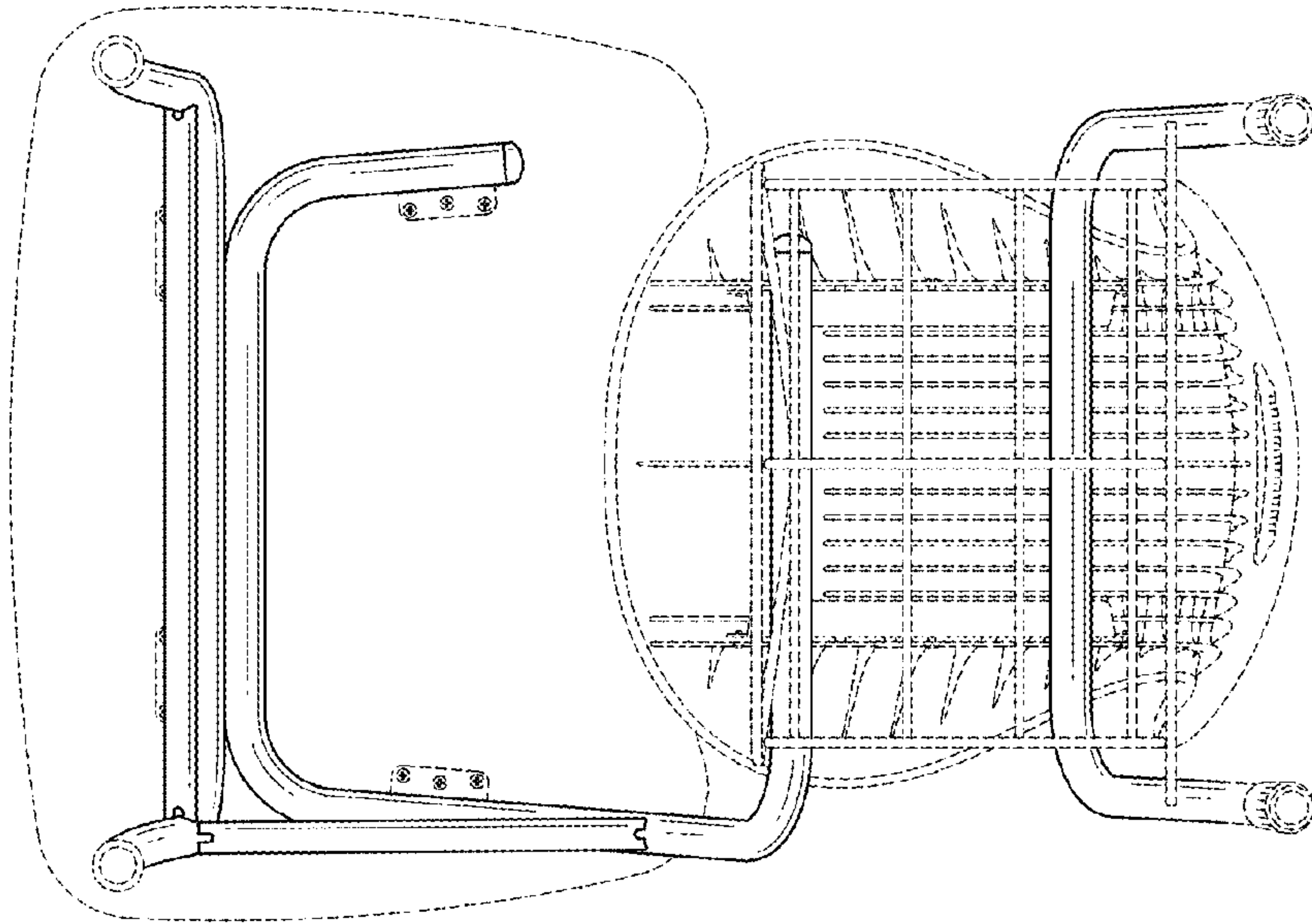


Fig. 7

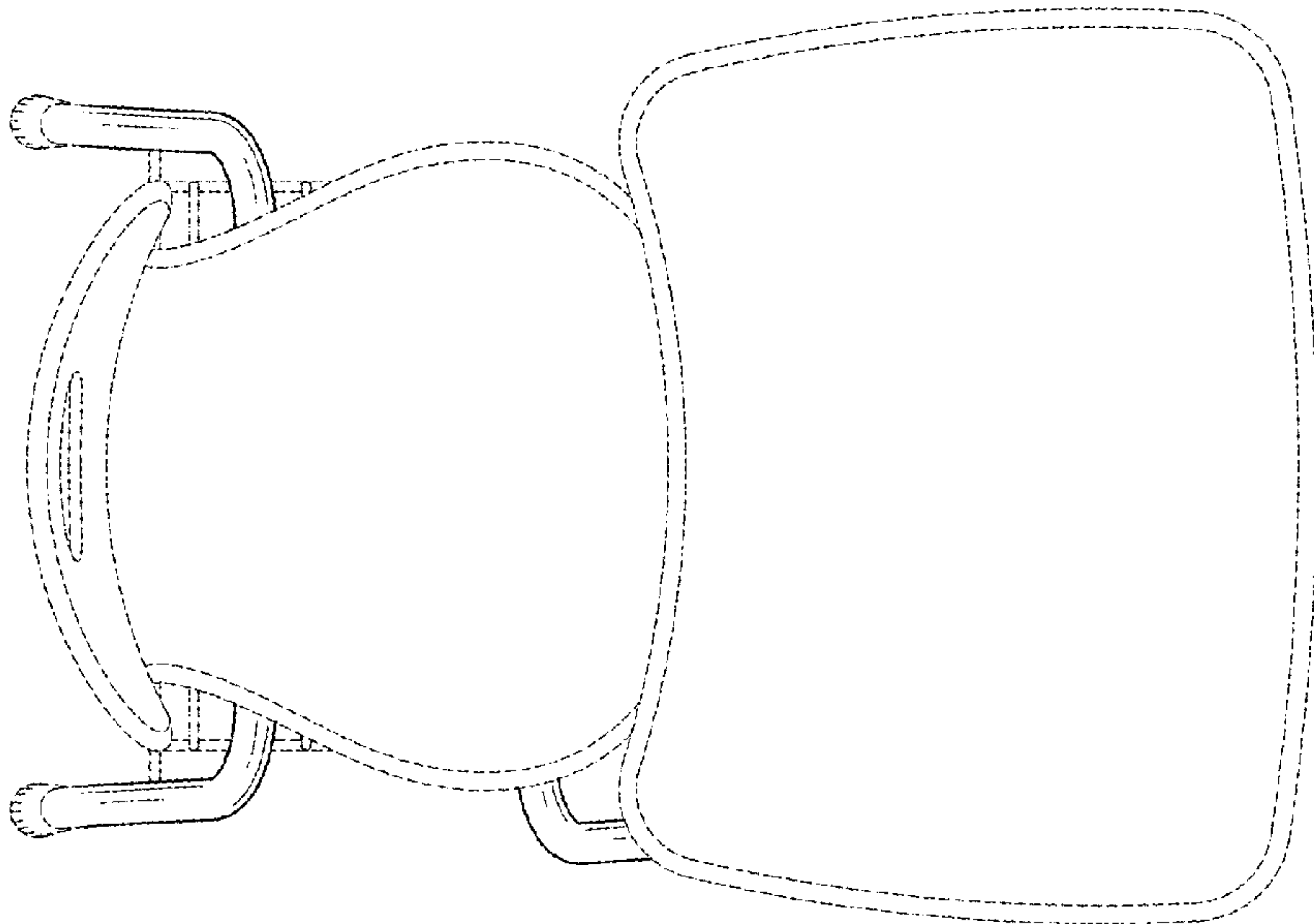


Fig. 8

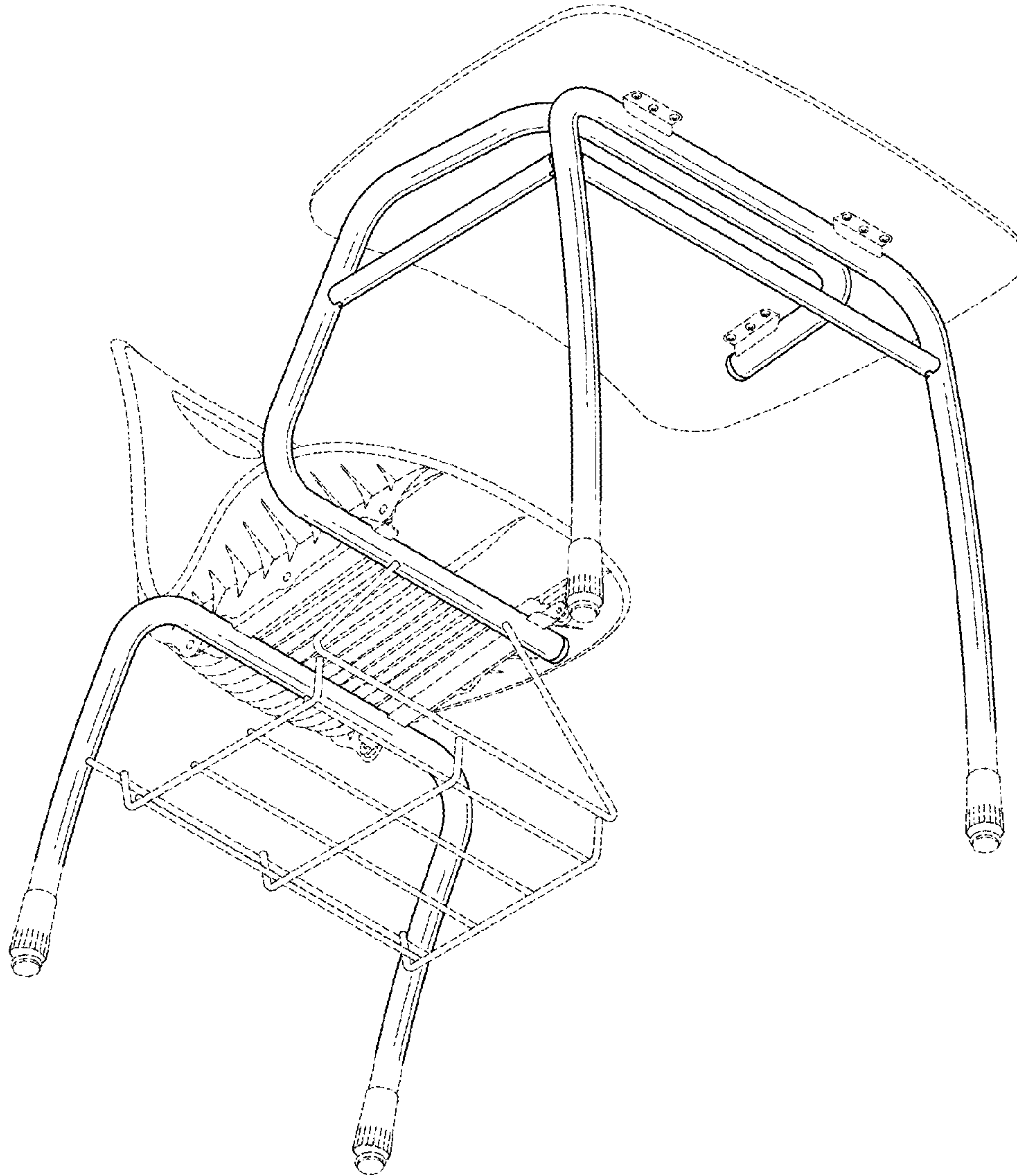


FIG. 8