



US00D730093S

(12) **United States Design Patent**
Hawkins

(10) **Patent No.:** **US D730,093 S**

(45) **Date of Patent:** **** May 26, 2015**

(54) **DISPLAY STRUCTURE**

(75) Inventor: **Laura L. Hawkins**, Minneapolis, MN
(US)

(73) Assignee: **Target Brands, Inc.**, Minneapolis, MN
(US)

(**) Term: **14 Years**

(21) Appl. No.: **29/420,359**

(22) Filed: **May 8, 2012**

(51) **LOC (10) Cl.** **06-06**

(52) **U.S. Cl.**

USPC **D6/703.5**

(58) **Field of Classification Search**

USPC D6/449, 474–475, 491–492, 657, 669,
D6/672–673, 678, 682.1, 702, 705, 703,
D6/703.5; 108/107, 144.11, 149, 59, 161,
108/108; 312/107, 114; 211/134, 69,
211/186–192

See application file for complete search history.

(56) **References Cited**

U.S. PATENT DOCUMENTS

1,486,139	A	3/1924	Herring et al.	
1,921,102	A	8/1933	Slattery	
1,959,001	A	5/1934	Kasten	
2,154,658	A	4/1939	Boston	
D290,554	S *	6/1987	Harwood	D6/311
5,350,057	A	9/1994	Bemis et al.	
D401,766	S *	12/1998	Fry	D6/302
D407,120	S *	3/1999	Dunn et al.	D20/42
6,336,564	B1	1/2002	Garnier	
D453,358	S *	2/2002	Uecker	D20/42
6,565,236	B1 *	5/2003	Davis, Jr.	362/362
6,976,765	B2 *	12/2005	Helenowski	362/147
D548,827	S *	8/2007	Pivert et al.	D23/366
D587,463	S *	3/2009	Franco et al.	D6/300
D631,263	S *	1/2011	Tang et al.	D6/308
D638,631	S *	5/2011	Parisi et al.	D6/300

D639,568	S *	6/2011	Lee et al.	D6/308
D658,404	S *	5/2012	Justin, III	D6/470
D677,333	S *	3/2013	Barnett	D20/17
D684,410	S *	6/2013	Hawkins	D6/661
2007/0236111	A1	10/2007	Gray	
2008/0172917	A1	7/2008	Brandow et al.	
2010/0044326	A1	2/2010	Meyer-Hanover et al.	
2011/0049065	A1	3/2011	Katz	

OTHER PUBLICATIONS

Office Action from Canadian Patent Application No. 146,344, mailed May 22, 2013 (2 pages).

Office Action from Canadian Patent Application No. 146,344, mailed Apr. 5, 2014 (3 pages).

TNS Global, "Mid-Caps: Break Out of the Pack," http://blogs.tnsglobal.com/retail_shopper/2009/05/midcaps-break-out-of-the-pack-.html, 2 pages, May 11, 2009.

Pending U.S. Appl. No. 13/466,491, filed May 8, 2012, entitled Product Highlighter, 26 pages.

* cited by examiner

Primary Examiner — Kelley Donnelly

(74) *Attorney, Agent, or Firm* — Leanne Taveggia Farrell; Westman, Champlin & Koehler, P.A.

(57) **CLAIM**

The ornamental design for a display structure, as shown and described.

DESCRIPTION

FIG. 1 is a perspective view of a display structure;

FIG. 2 is a front view thereof;

FIG. 3 is a back view thereof;

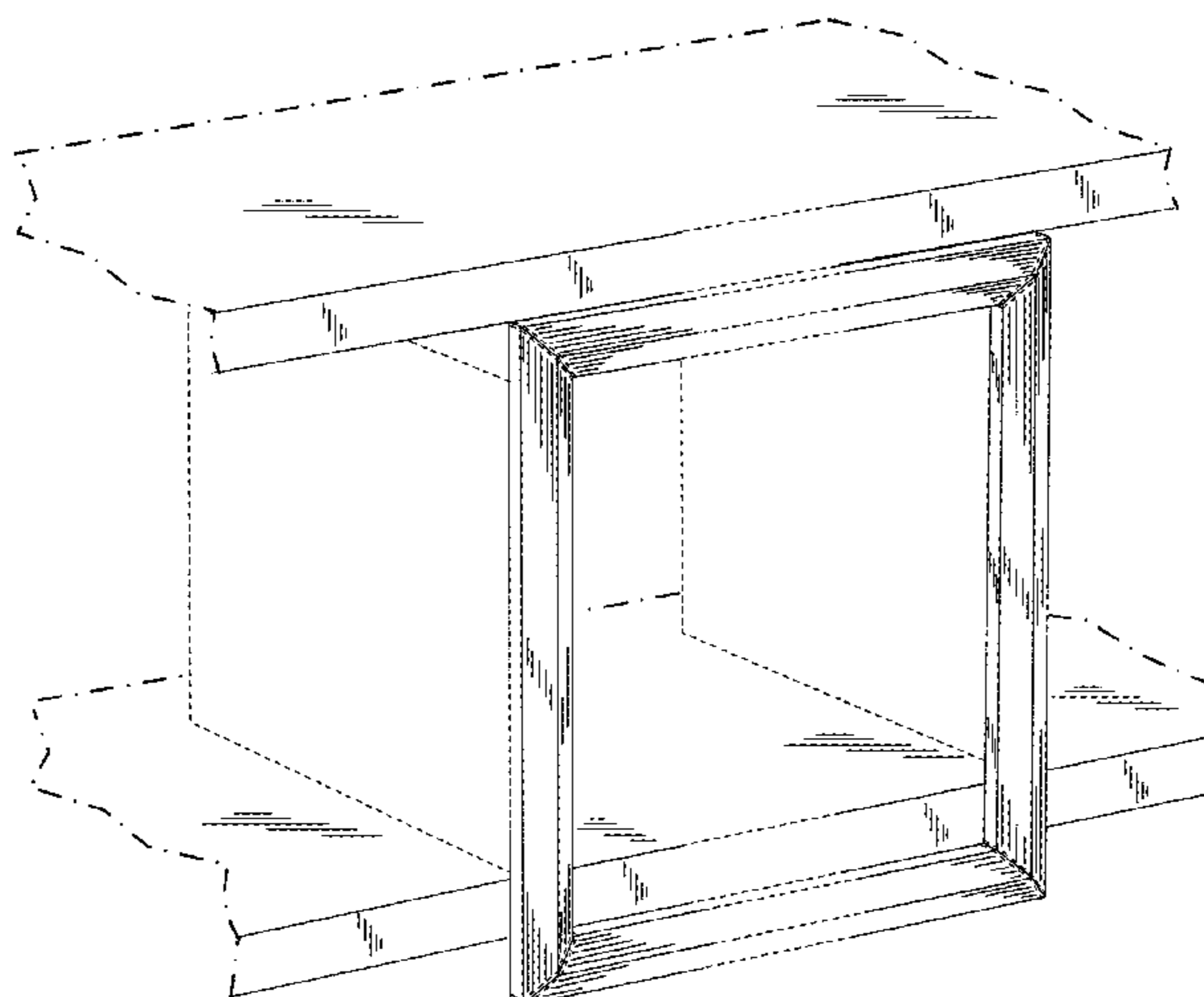
FIG. 4 is a side view thereof, the opposite side being a mirror image;

FIG. 5 is a top view thereof; and,

FIG. 6 is a bottom view thereof.

The broken lines which define the bounds of the claimed design form no part thereof.

1 Claim, 4 Drawing Sheets



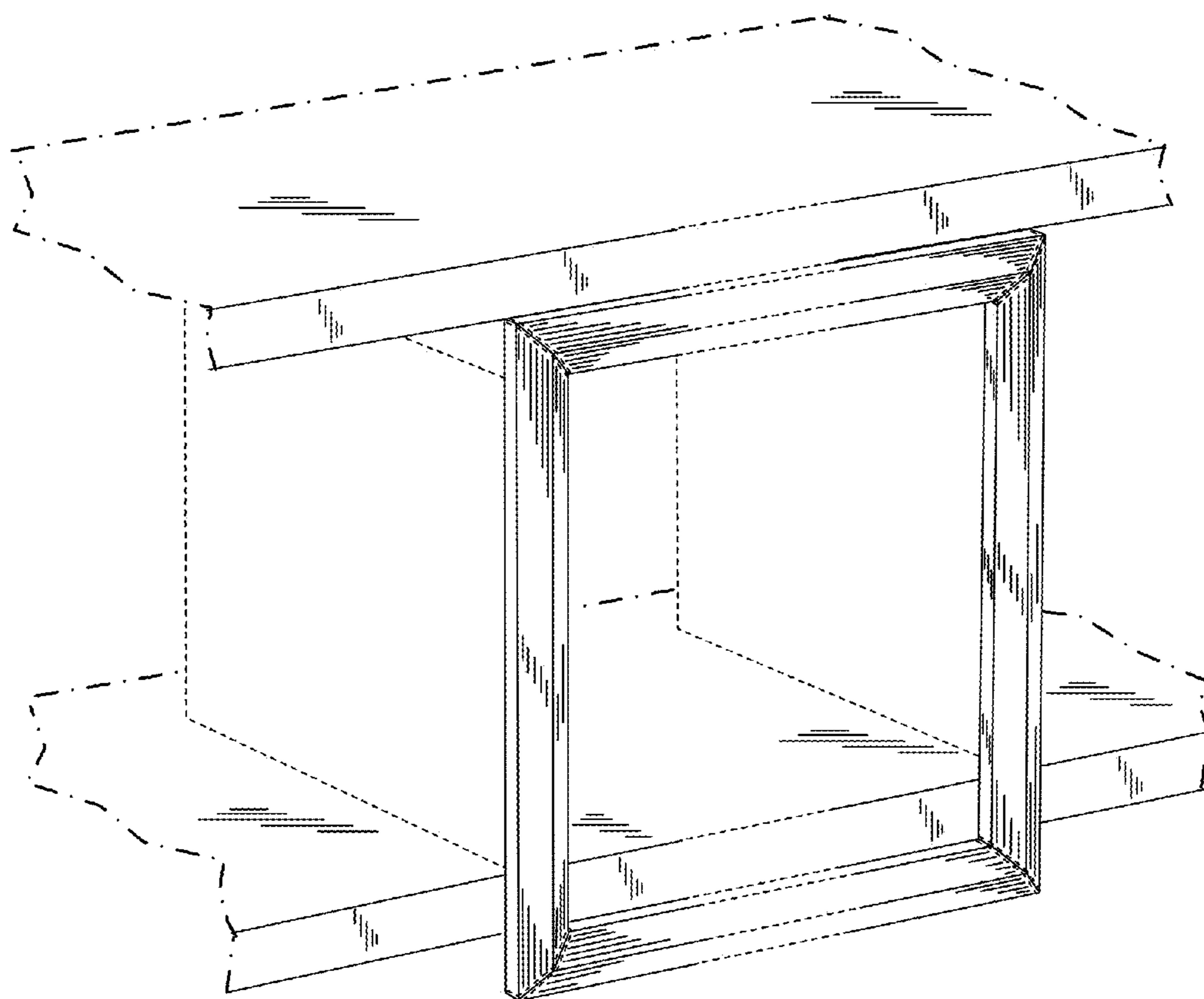


FIG. 1

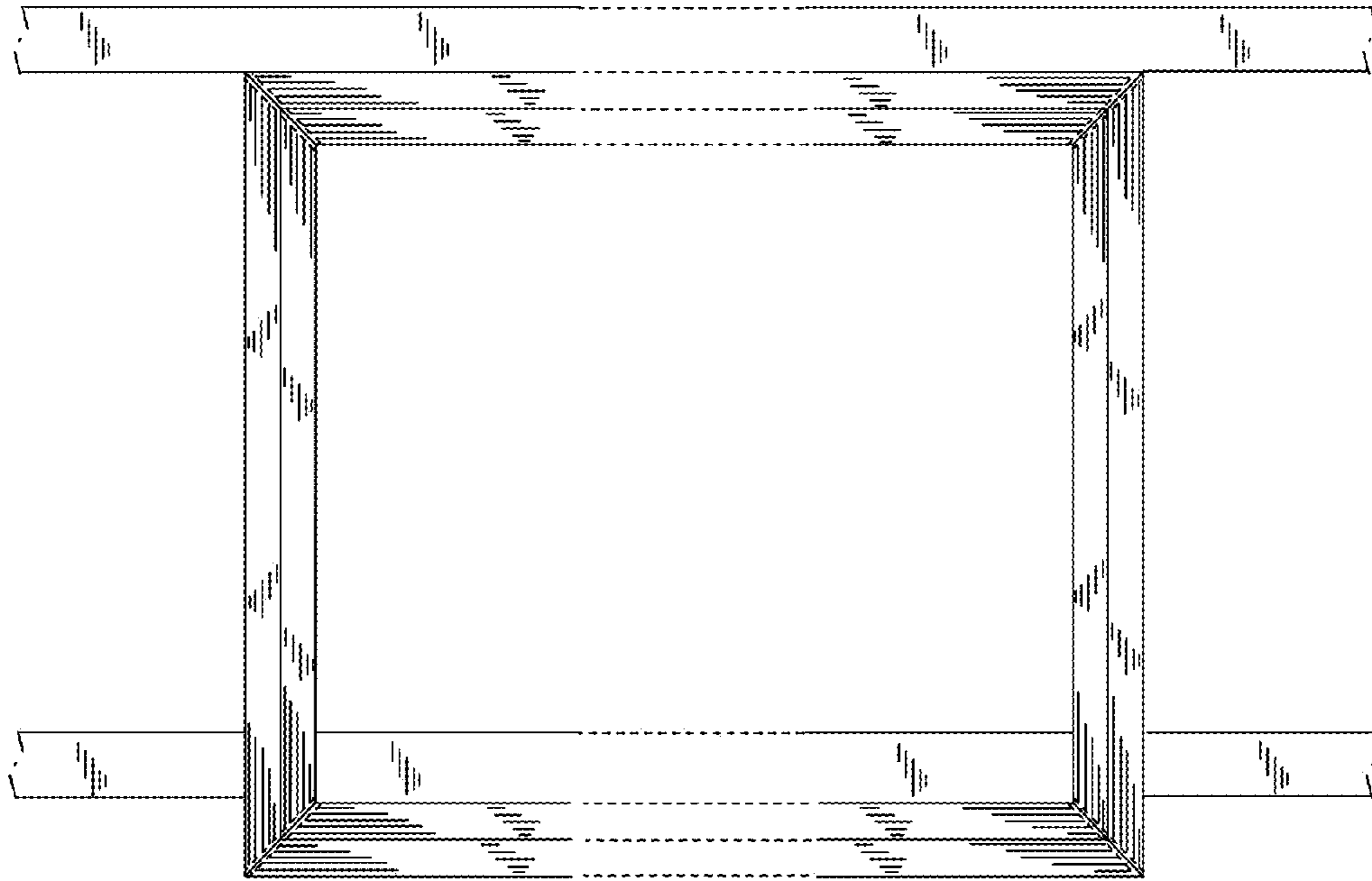


FIG. 2

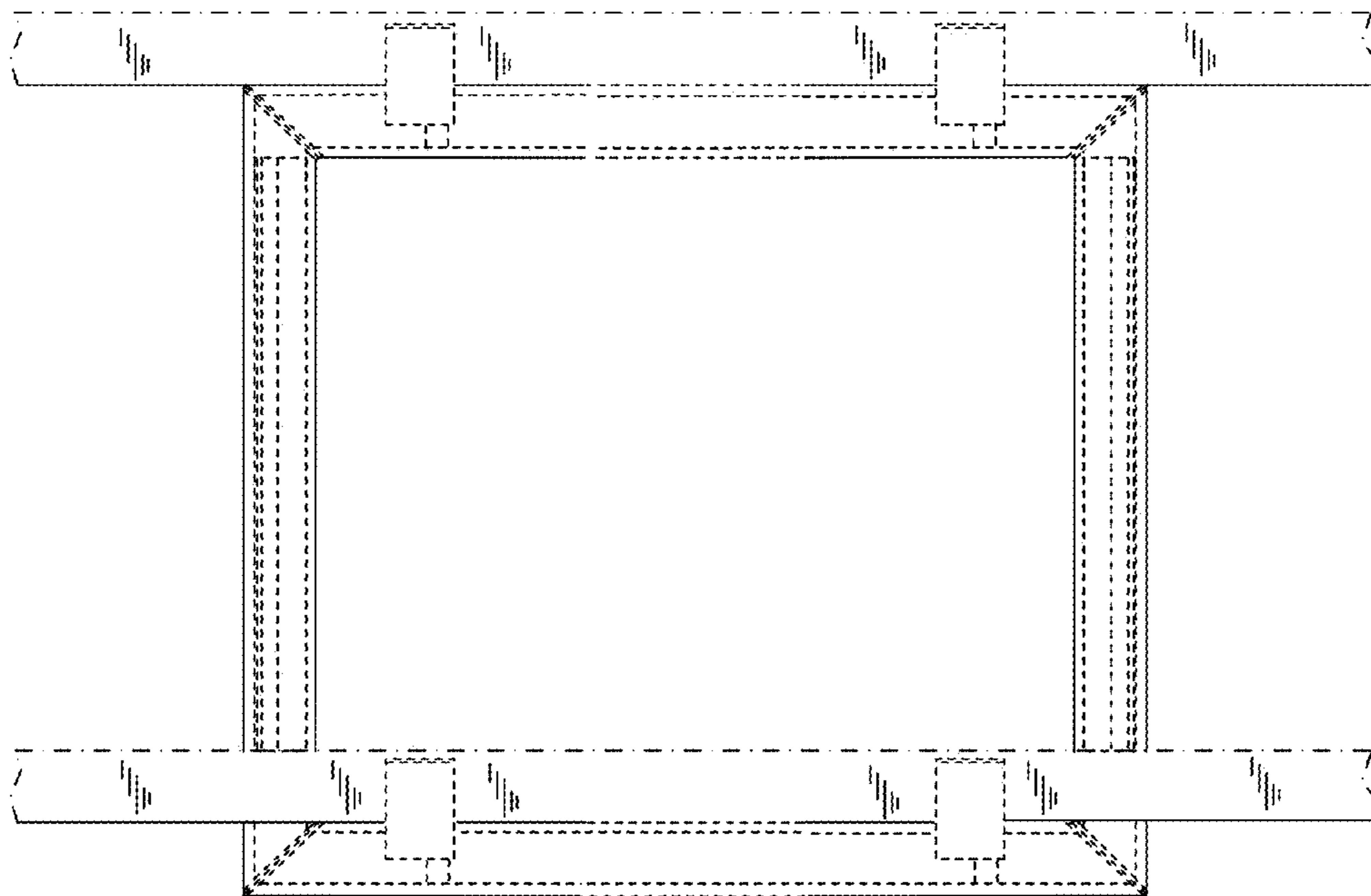


FIG. 3

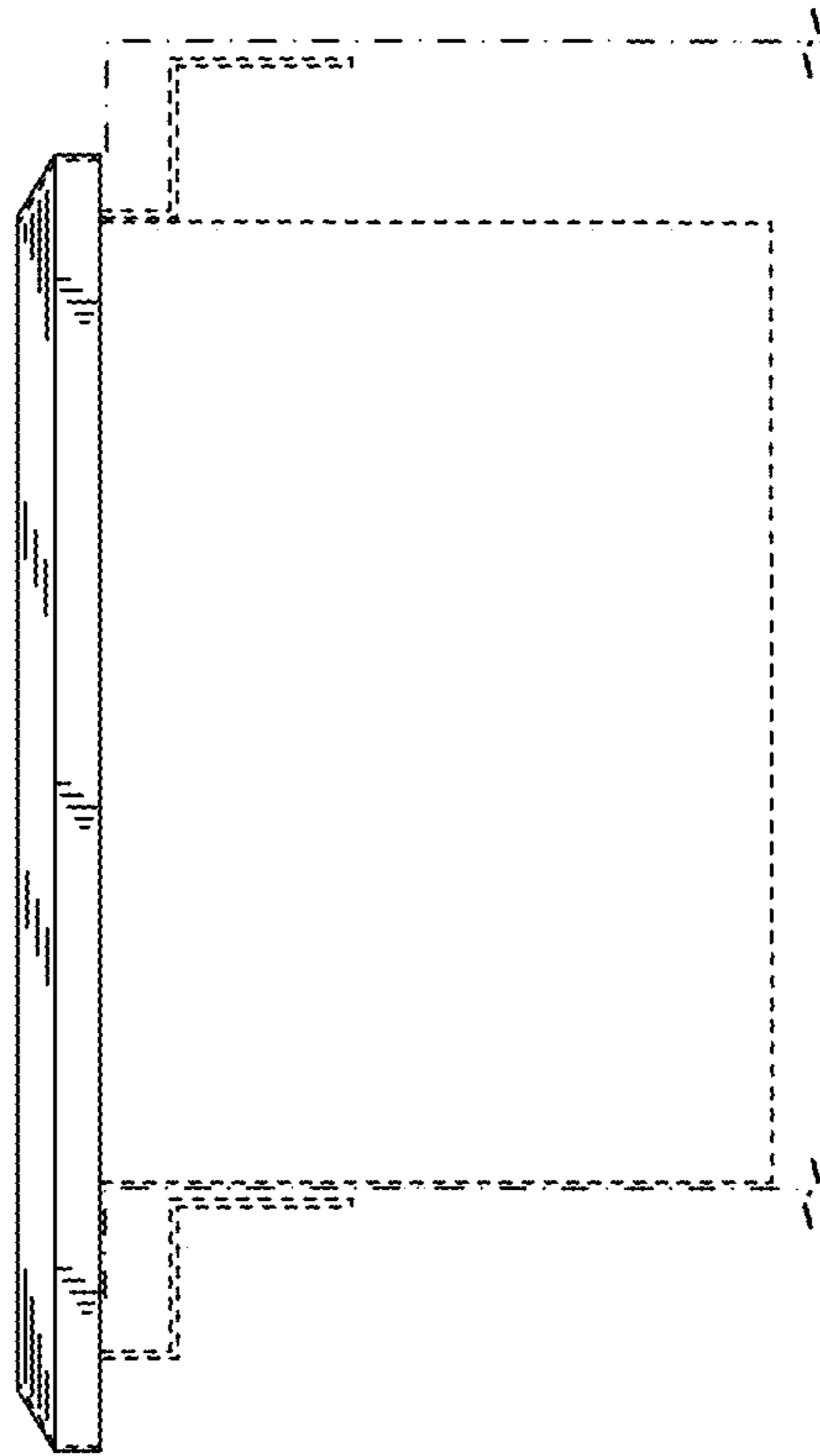


FIG. 4

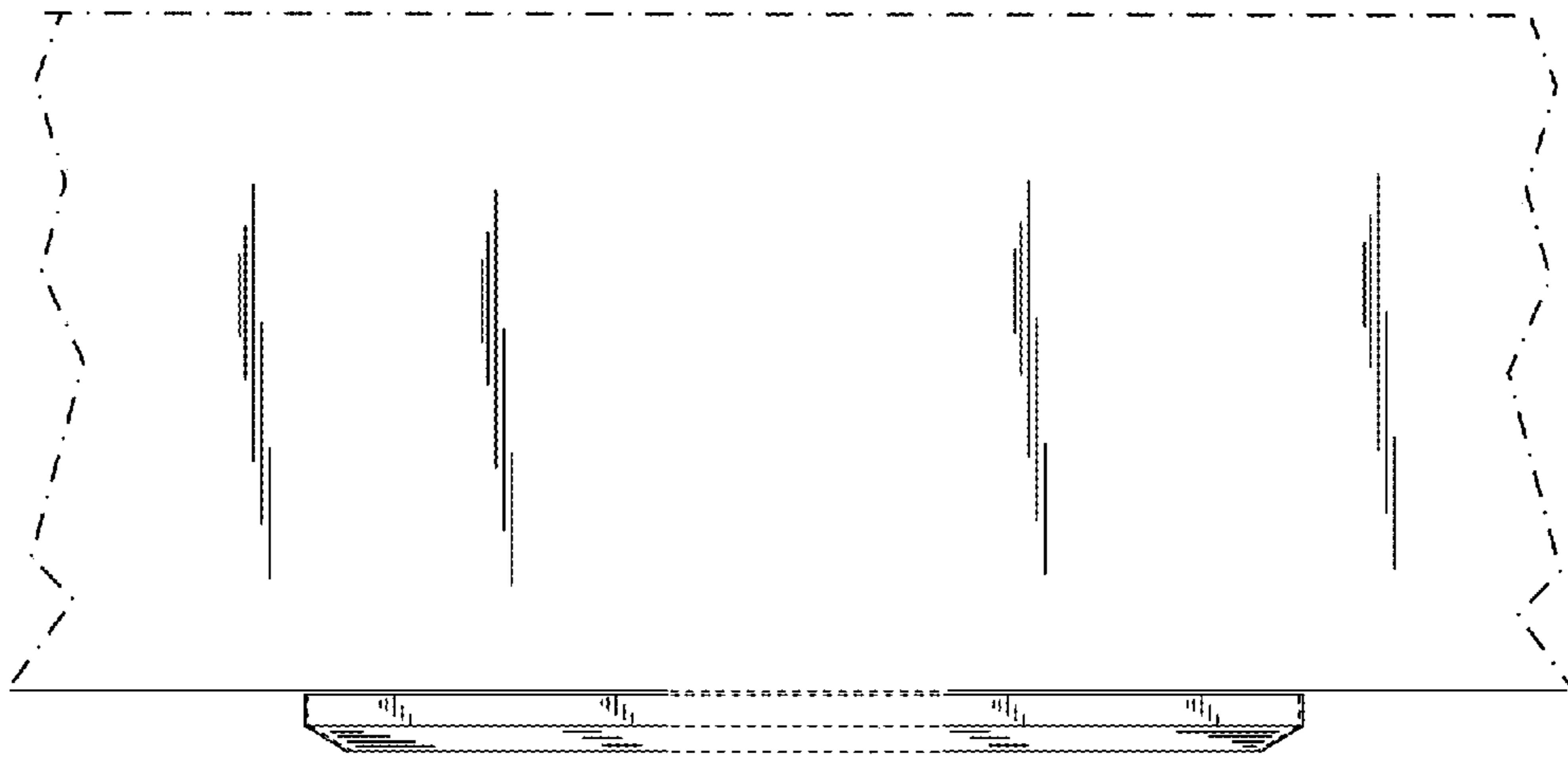


FIG. 5

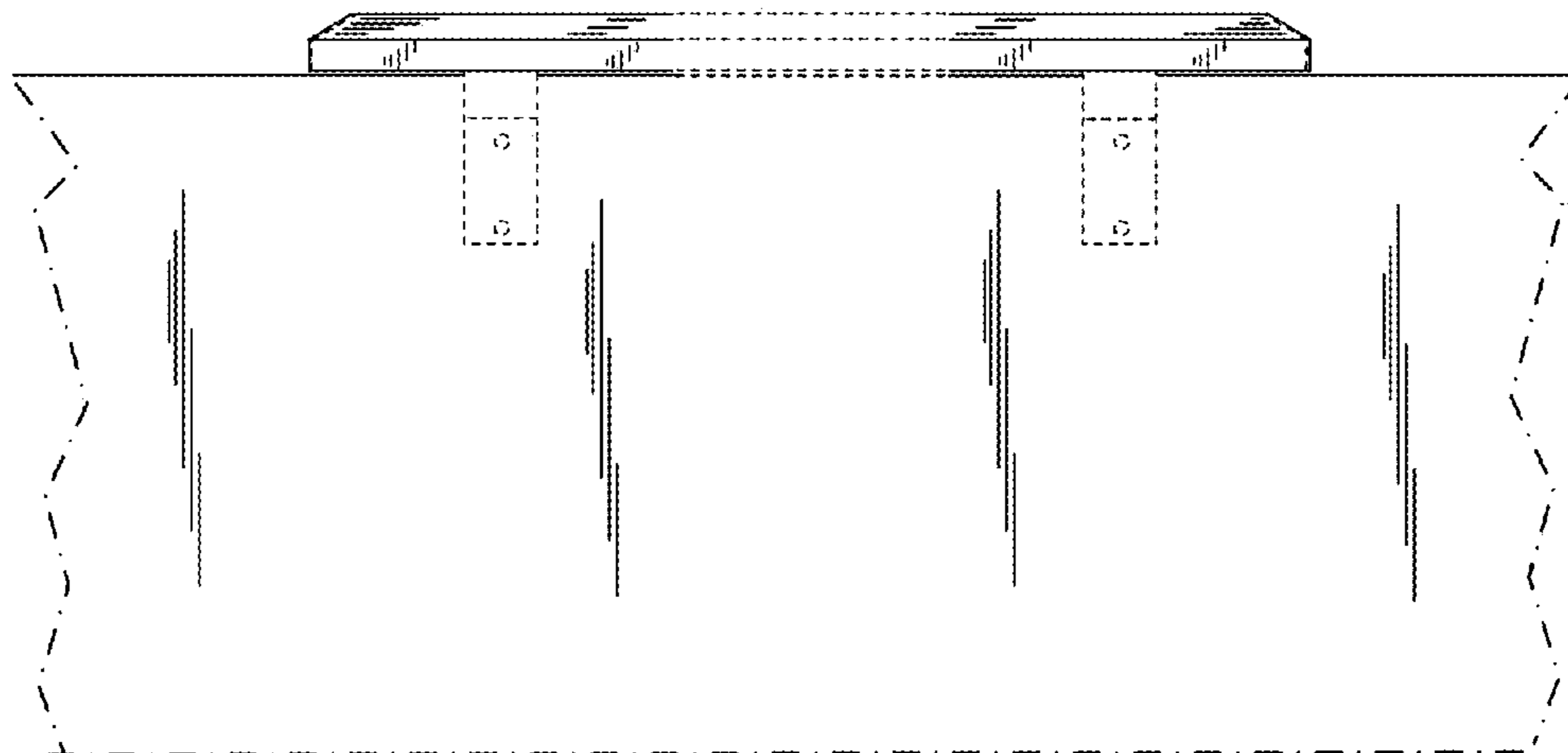


FIG. 6