



US00D730092S

(12) **United States Design Patent**
Adjaye

(10) **Patent No.:** **US D730,092 S**
(45) **Date of Patent:** **** May 26, 2015**

- (54) **TABLE**
- (71) Applicant: **Knoll, Inc.**, East Greenville, PA (US)
- (72) Inventor: **David Adjaye**, London (GB)
- (73) Assignee: **Knoll, Inc.**, East Greenville, PA (US)
- (**) Term: **14 Years**
- (21) Appl. No.: **29/456,622**
- (22) Filed: **May 31, 2013**
- (51) **LOC (10) Cl.** **06-03**
- (52) **U.S. Cl.**
USPC **D6/697; D6/691.4; D6/708.17**
- (58) **Field of Classification Search**
USPC D6/690, 693, 693.3, 707.21, 707.22,
D6/697, 691.4, 349; 108/150, 153.1, 156,
108/157.1, 161, 157.14; 248/188, 188.1
See application file for complete search history.

D609,505 S *	2/2010	Phookan et al.	D6/485
D644,447 S *	9/2011	Miller et al.	D6/349
D668,463 S *	10/2012	Eicke	D6/349
D669,696 S *	10/2012	Lade	D6/349
D705,555 S *	5/2014	Adjaye	D6/349

* cited by examiner

Primary Examiner — Janice Seeger

(74) *Attorney, Agent, or Firm* — Buchanan Ingersoll & Rooney PC

(57) **CLAIM**

The ornamental design for a table, as shown and described.

DESCRIPTION

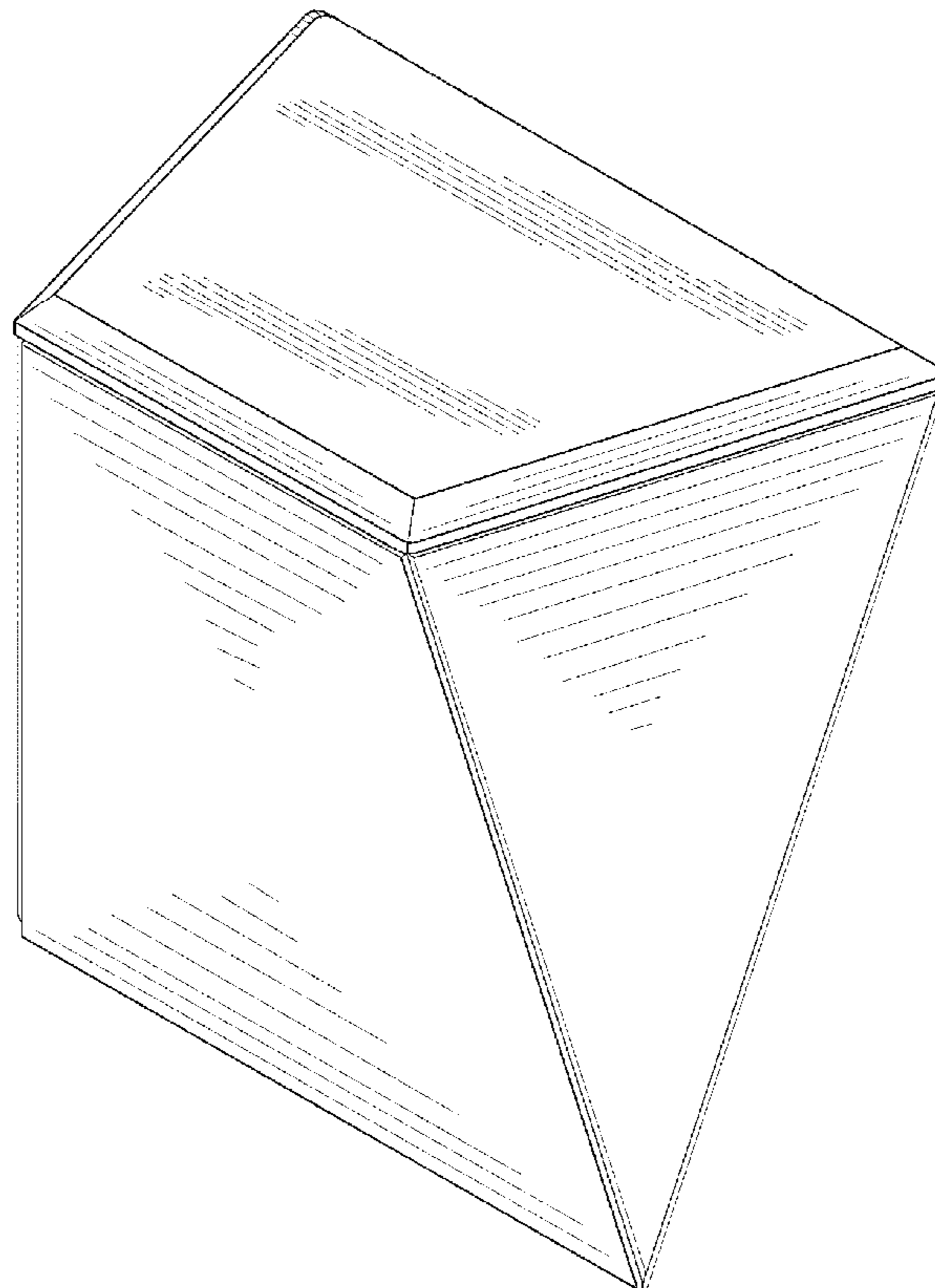
FIG. 1 is a perspective view of a table showing my new design;
 FIG. 2 is a front elevational view thereof;
 FIG. 3 is a rear elevational view thereof;
 FIG. 4 is a right side elevational view thereof;
 FIG. 5 is a left side elevational view thereof;
 FIG. 6 is a top plan view thereof; and,
 FIG. 7 is a bottom plan view thereof.
 The broken lines are for environmental purposes only and form no part of the claimed design.

(56) **References Cited**

U.S. PATENT DOCUMENTS

D226,545 S *	3/1973	Hollingsworth	D6/349
D313,910 S *	1/1991	Kubryk	D6/486

1 Claim, 4 Drawing Sheets



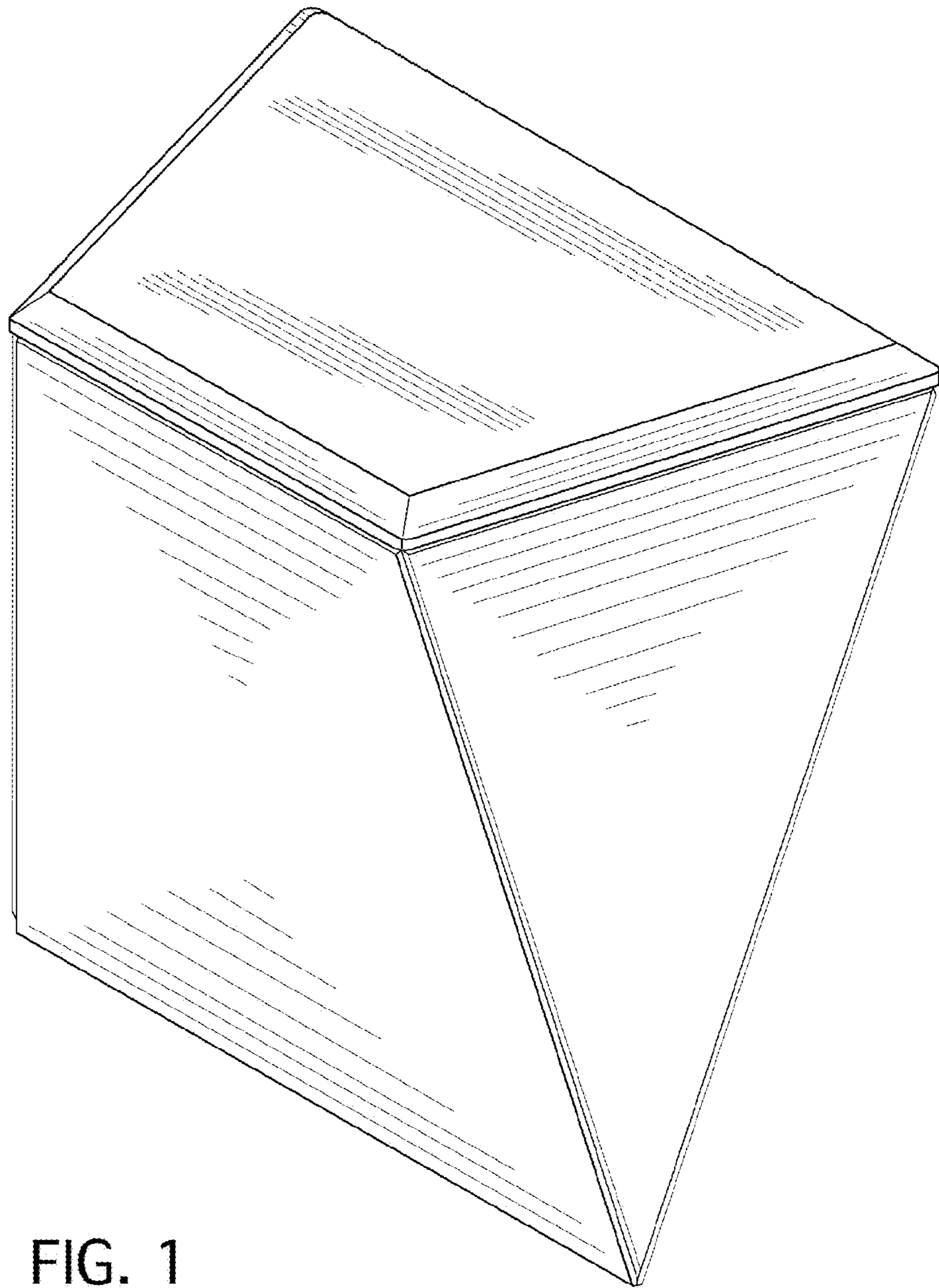


FIG. 1

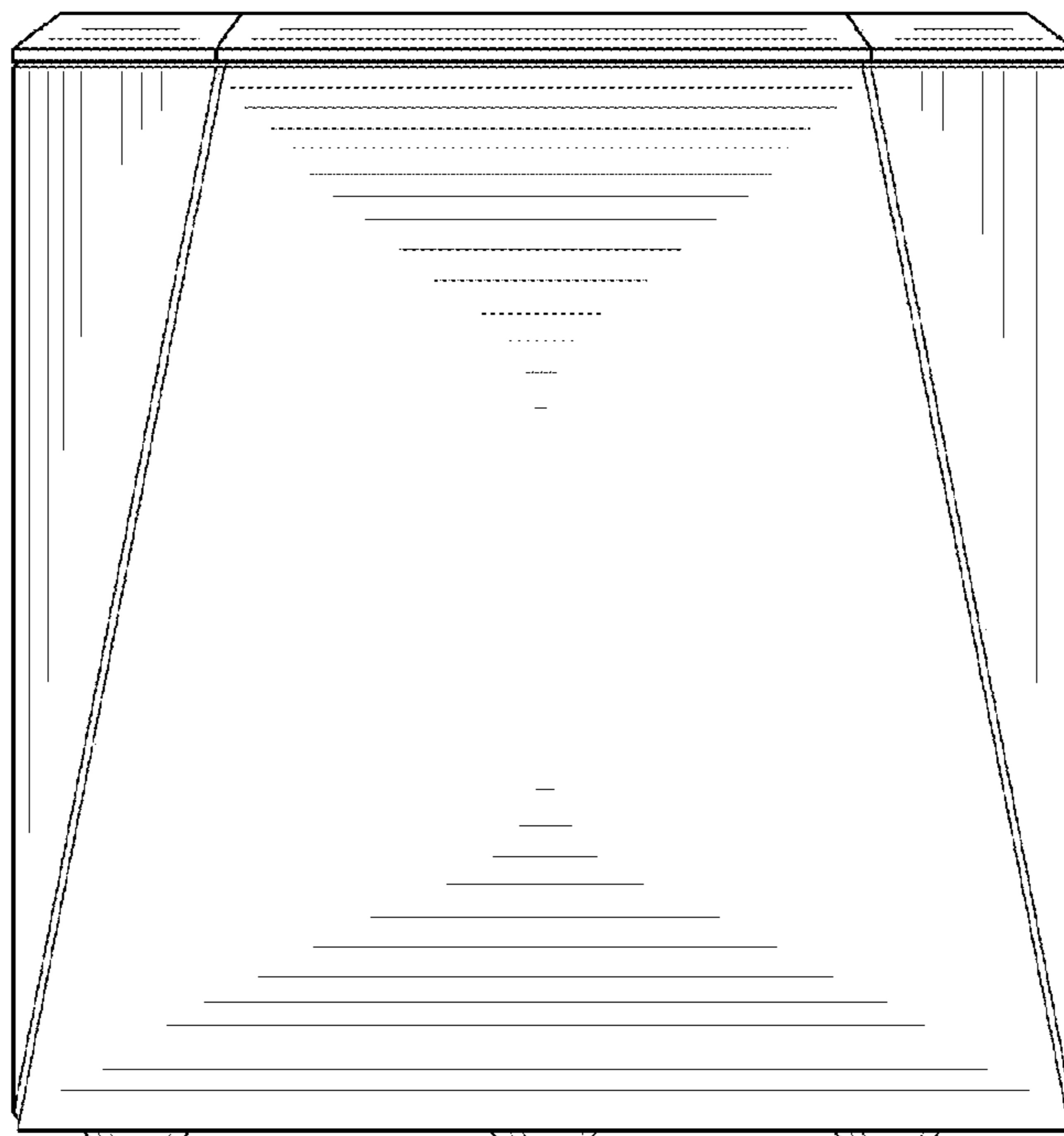


FIG. 2

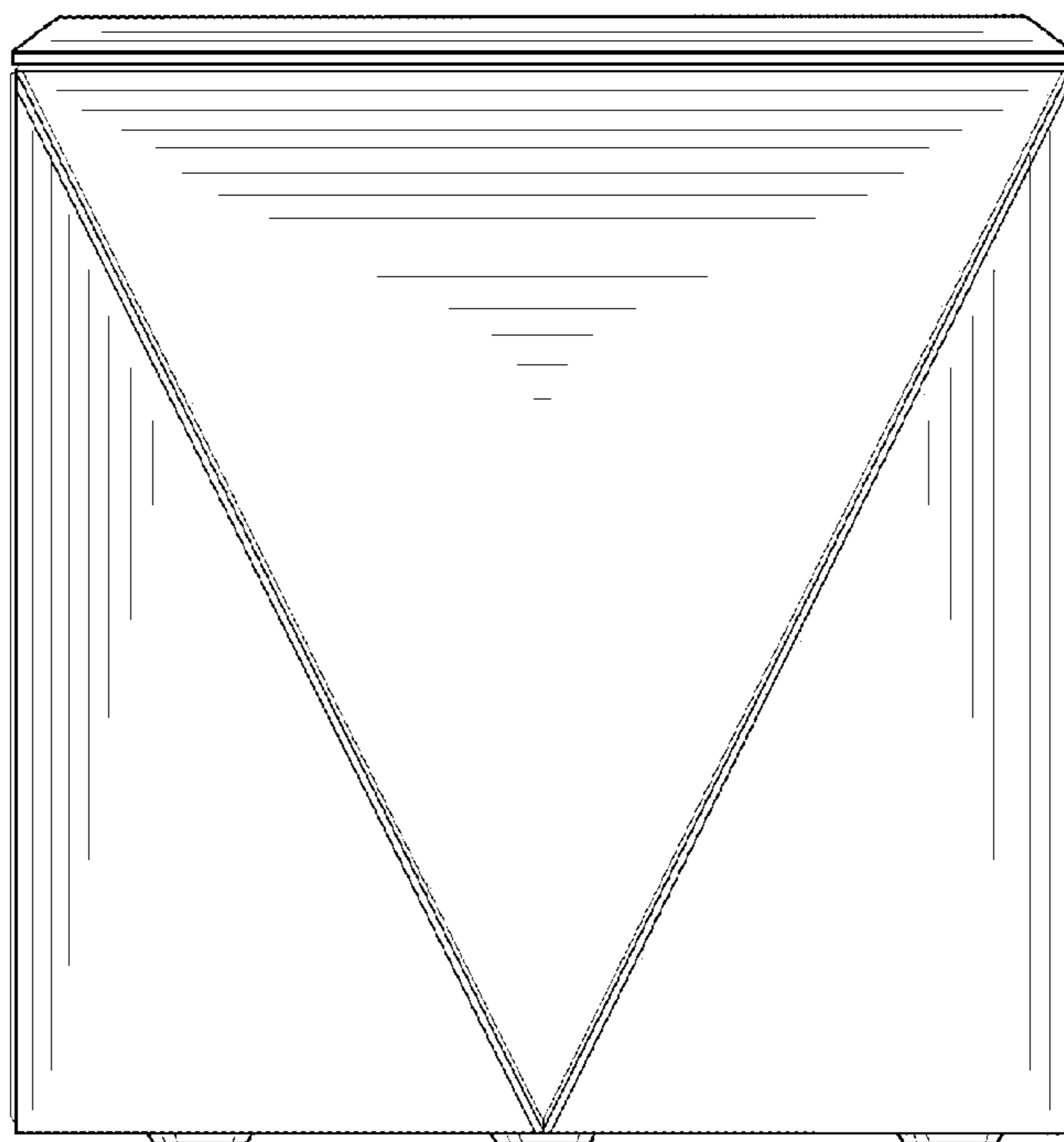


FIG. 3

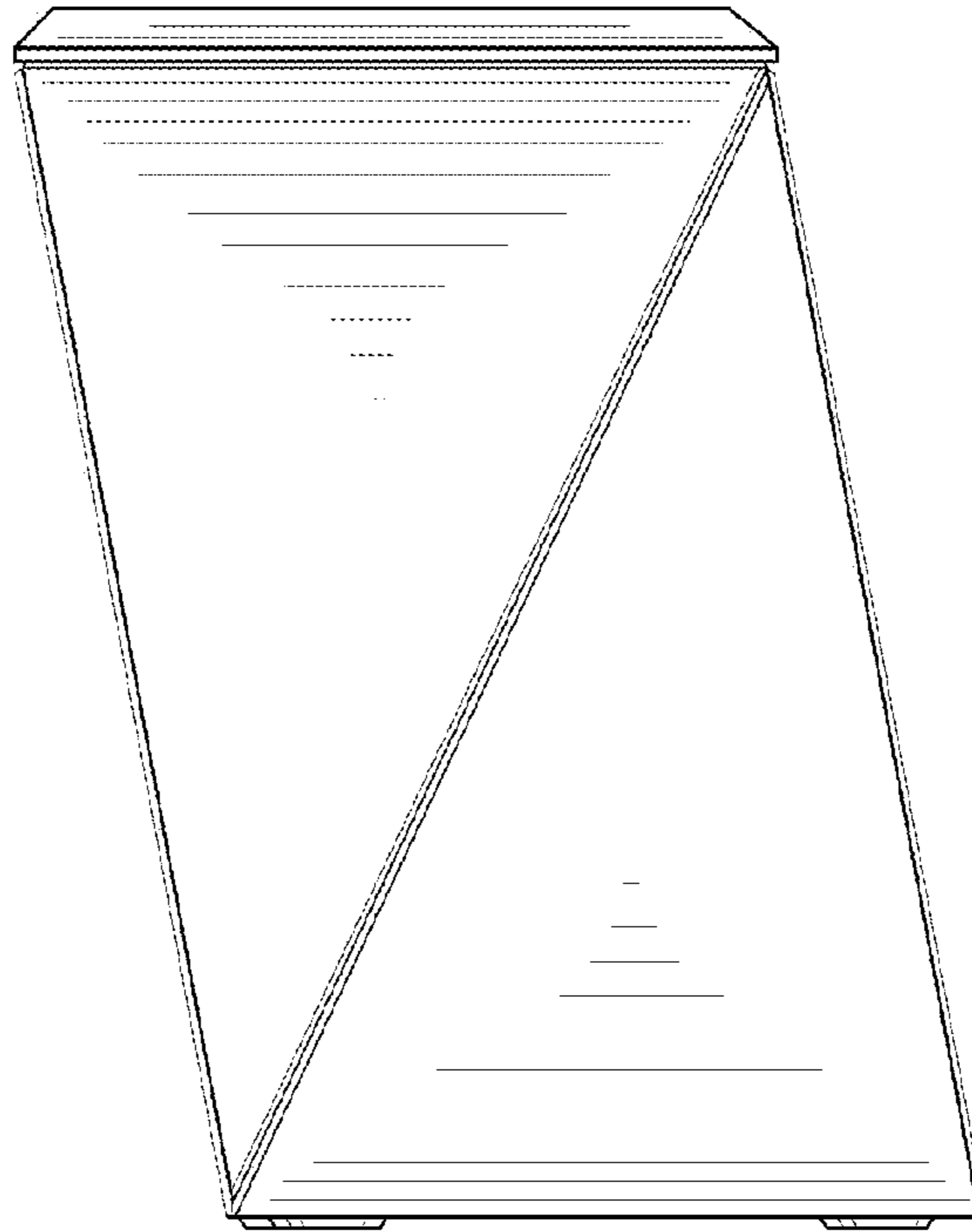


FIG. 4

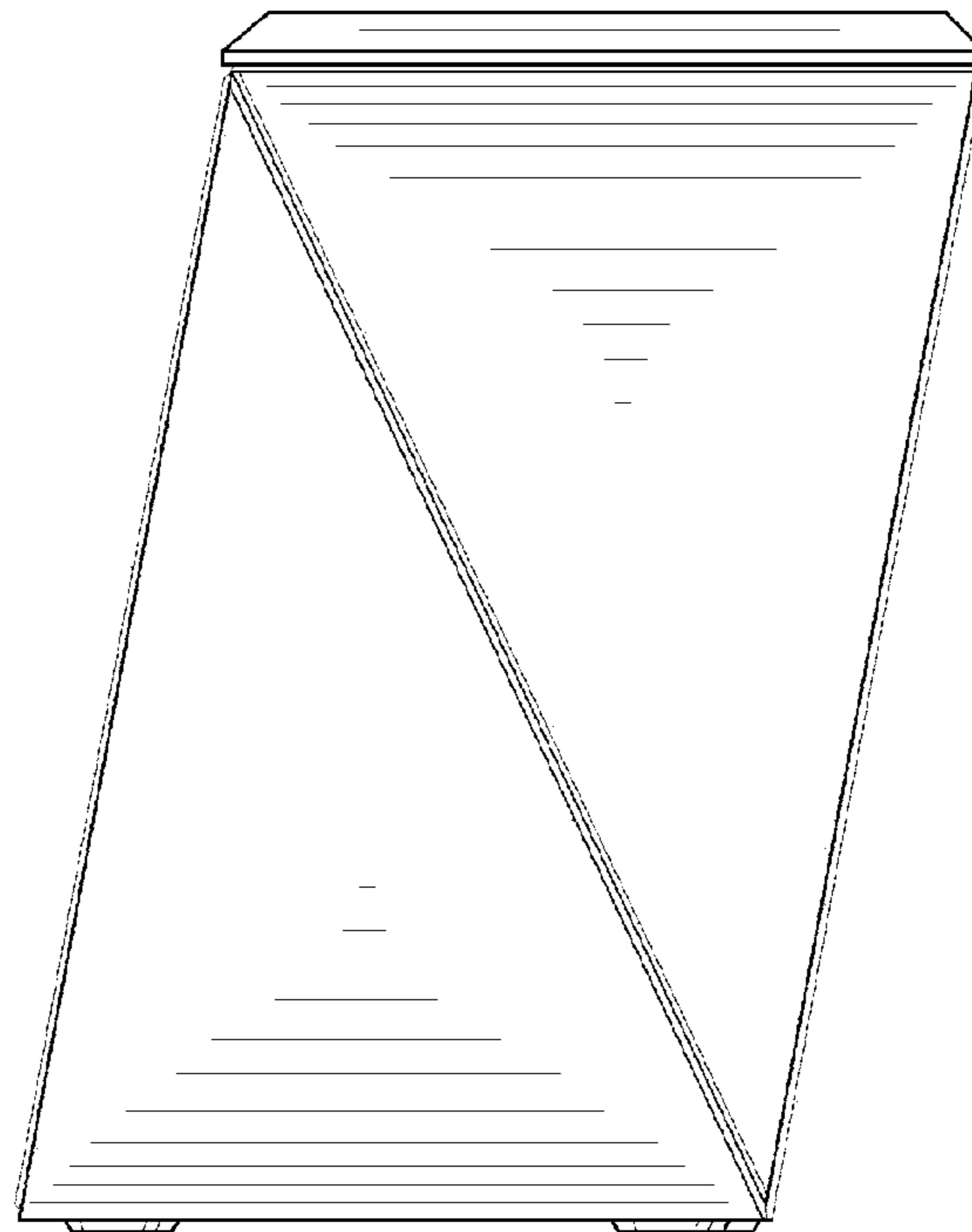


FIG. 5

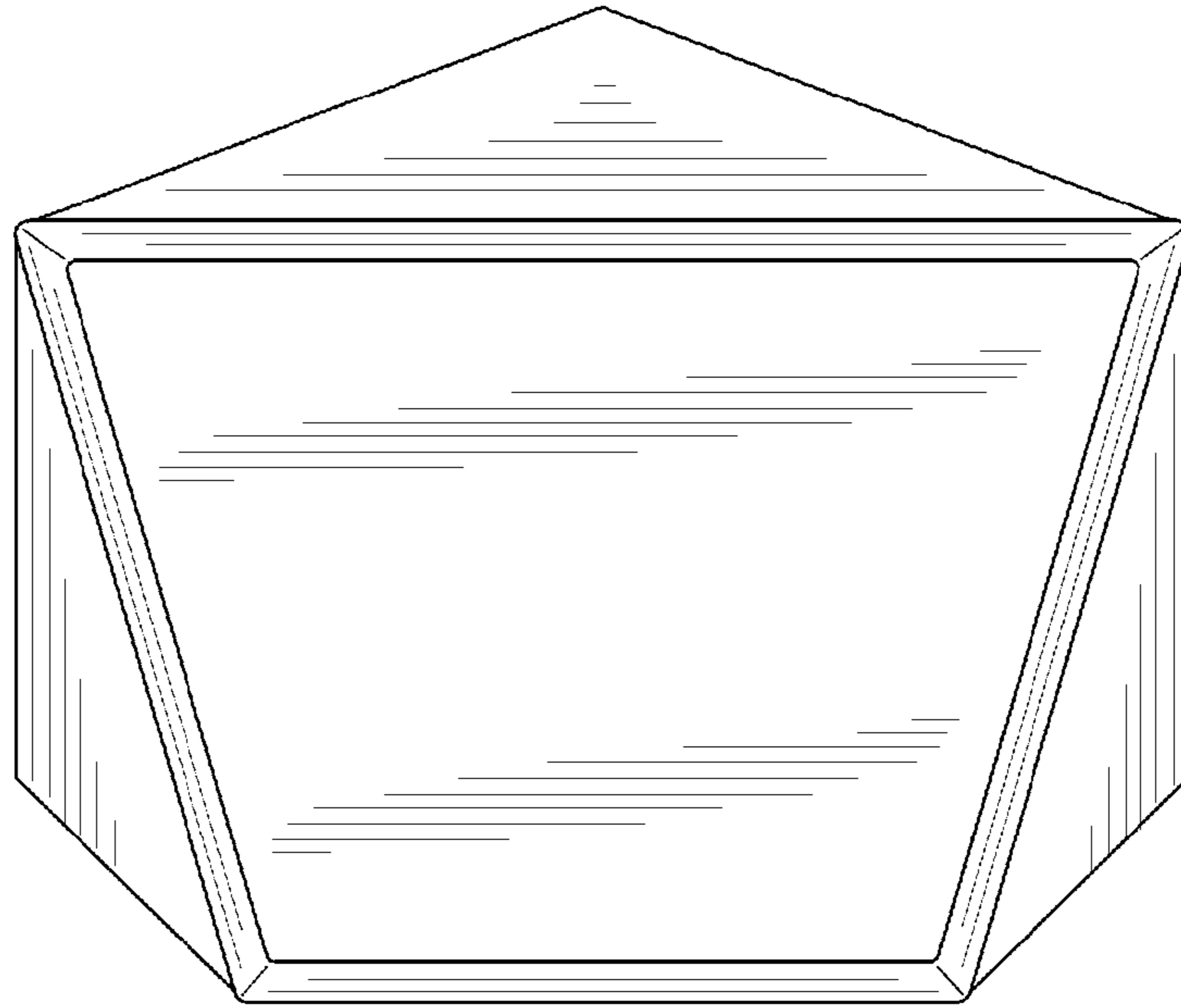


FIG. 6

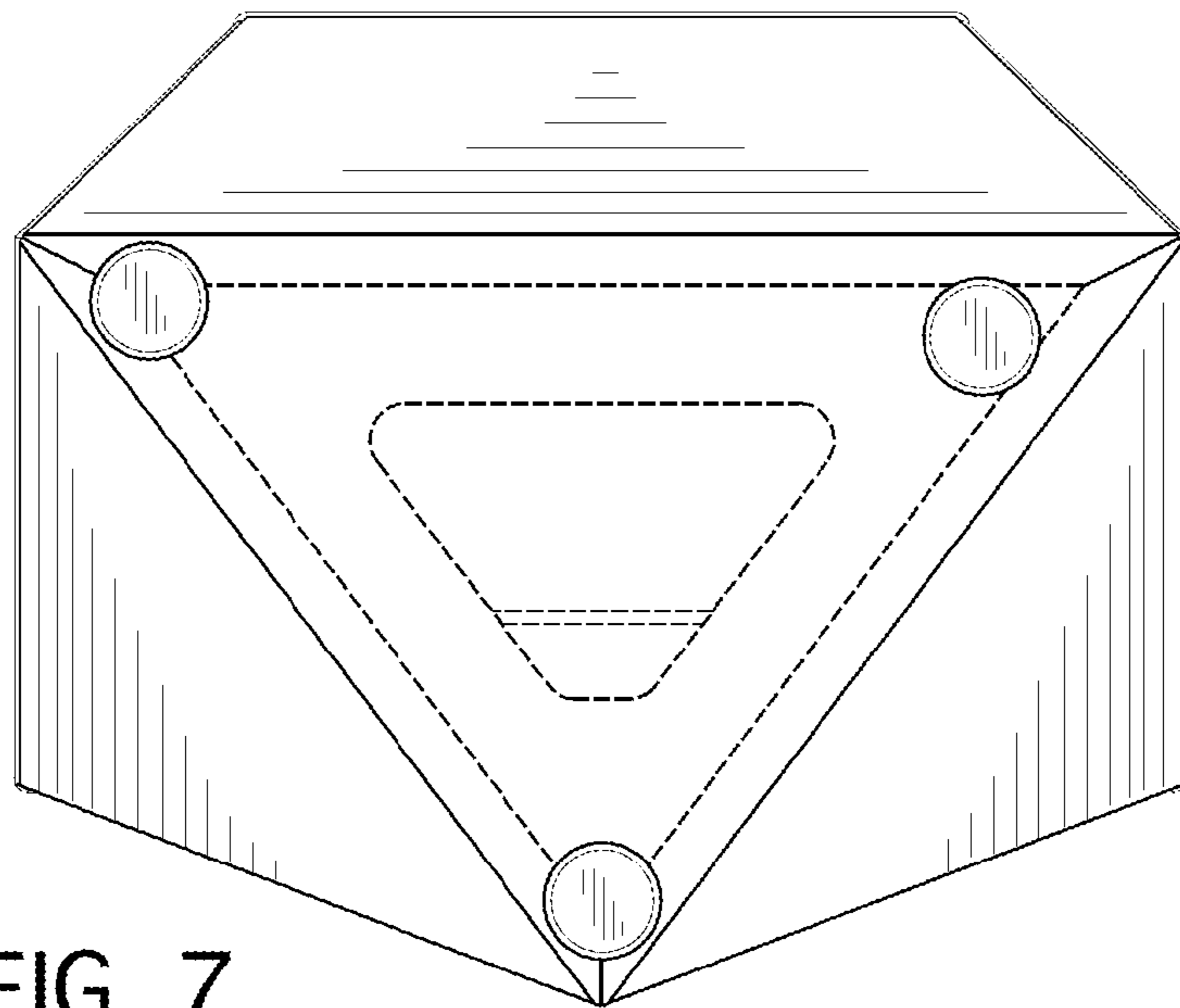


FIG. 7