

US00D730091S

(12) **United States Design Patent**
Chan

(10) **Patent No.:** **US D730,091 S**

(45) **Date of Patent:** **** May 26, 2015**

(54) **FOLDABLE STAND**

(71) Applicant: **Ching Por Chan**, Sheung Wan (HK)

(72) Inventor: **Ching Por Chan**, Sheung Wan (HK)

(**) Term: **14 Years**

(21) Appl. No.: **29/478,460**

(22) Filed: **Jan. 6, 2014**

(51) **LOC (10) Cl.** **06-04**

(52) **U.S. Cl.**
USPC **D6/681**

(58) **Field of Classification Search**

CPC . F16M 11/10; F16M 11/105; F16M 11/2021;
F16M 11/38; F16M 11/00; F16M 2200/024;
A45C 2011/003; A45C 2200/15
USPC D6/681, 681.1, 574, 678; D9/433, 455,
D9/457; D14/447, 432, 434, 451;
248/441.1, 460, 469, 459, 456, 451,
248/445, 176.3, 176.1, 152

See application file for complete search history.

(56) **References Cited**

U.S. PATENT DOCUMENTS

D513,008 S *	12/2005	Takizawa et al.	D14/447
7,178,778 B2 *	2/2007	Lee	248/459
7,185,869 B2 *	3/2007	Smith	248/456
D569,380 S *	5/2008	Beilstein et al.	D14/447
D577,361 S *	9/2008	Beilstein et al.	D14/447
D639,816 S *	6/2011	Bau	D14/447
8,038,116 B2 *	10/2011	Lee et al.	248/463
D651,213 S *	12/2011	Magness et al.	D14/447
D667,831 S *	9/2012	Stravitz	D14/447
8,282,065 B1 *	10/2012	Stone	248/454
D670,296 S *	11/2012	Seehoff	D14/447
D672,783 S *	12/2012	Robinson	D14/447
D676,853 S *	2/2013	Gengler	D14/447
D683,141 S *	5/2013	Symons	D6/310
D705,785 S *	5/2014	Wang	D14/447
D714,805 S *	10/2014	Fujioka	D14/447

D715,078 S *	10/2014	Bibeau	D6/678
D718,556 S *	12/2014	Kreuzer	D6/574
2010/0213331 A1 *	8/2010	Liou	248/176.3
2011/0253850 A1 *	10/2011	Bau	248/176.3
2012/0074271 A1 *	3/2012	Goetz	248/121
2012/0181410 A1 *	7/2012	Ku et al.	248/453
2012/0312953 A1 *	12/2012	Moffa	248/459
2014/0145050 A1 *	5/2014	Hung	248/274.1

* cited by examiner

Primary Examiner — Cathron Brooks

Assistant Examiner — Clese Moore, Jr.

(74) *Attorney, Agent, or Firm* — Wendy K. Marsh

(57) **CLAIM**

I claim the ornamental design for a foldable stand, as shown and described.

DESCRIPTION

FIG. 1 is a front, right side perspective view of a foldable stand showing my new design.

FIG. 2 is a bottom plan view thereof;

FIG. 3 is a rear elevational view thereof;

FIG. 4 is a left side elevational view thereof;

FIG. 5 is a right side elevational view thereof;

FIG. 6 is a top plan view thereof;

FIG. 7 is a bottom plan view thereof;

FIG. 8 is a front, right perspective view thereof showing an electronic tablet placed in the foldable stand. The broken lines shown illustrate environmental structure that forms no part of the claimed design.

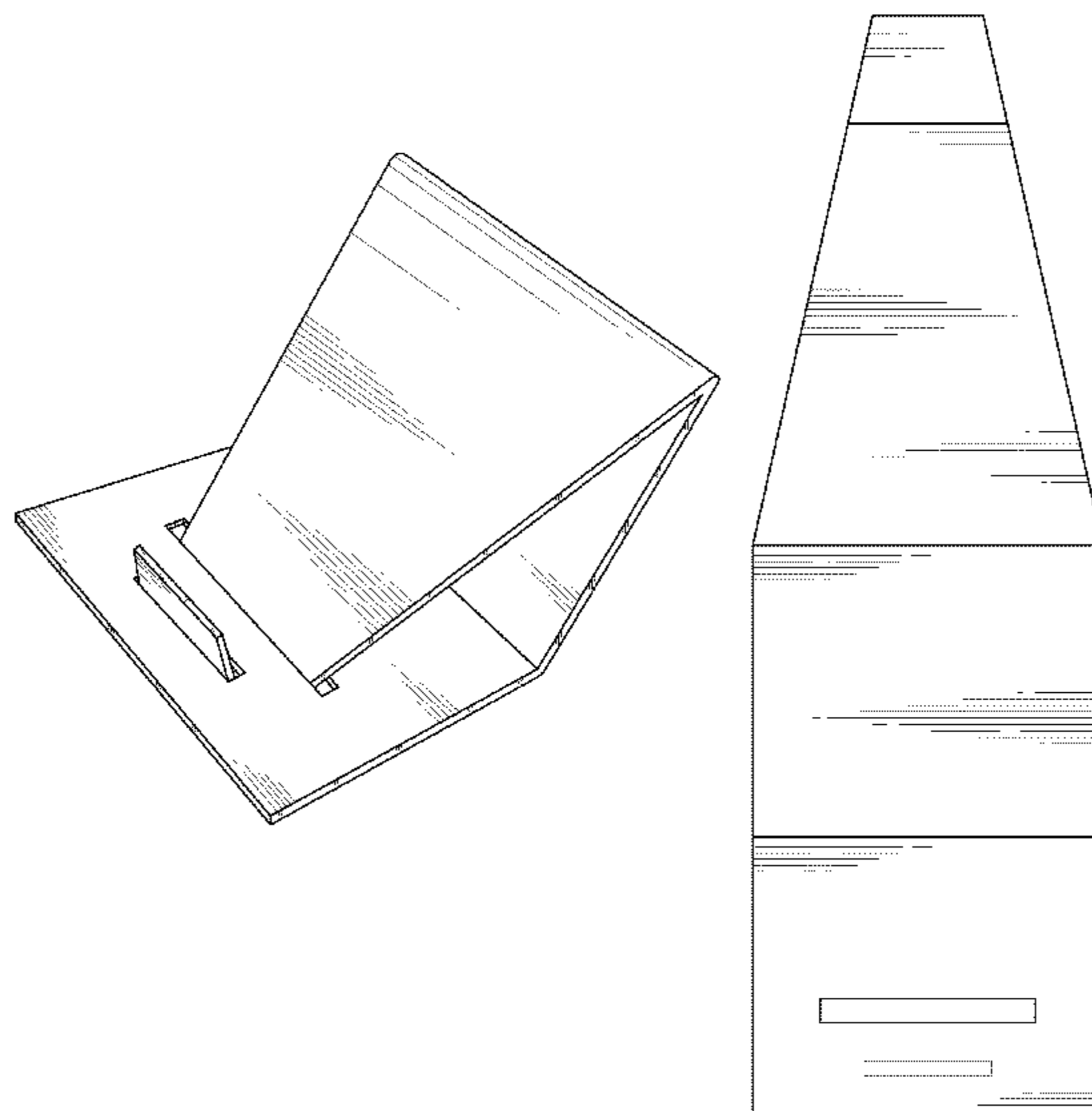
FIG. 9 is a front elevational view of the foldable stand in its unfolded state.

FIG. 10 is a side view of the foldable stand in its unfolded state.

FIG. 11 is a top view of the foldable stand in its unfolded state; and,

FIG. 12 is a bottom view of the foldable stand in its unfolded state.

1 Claim, 7 Drawing Sheets



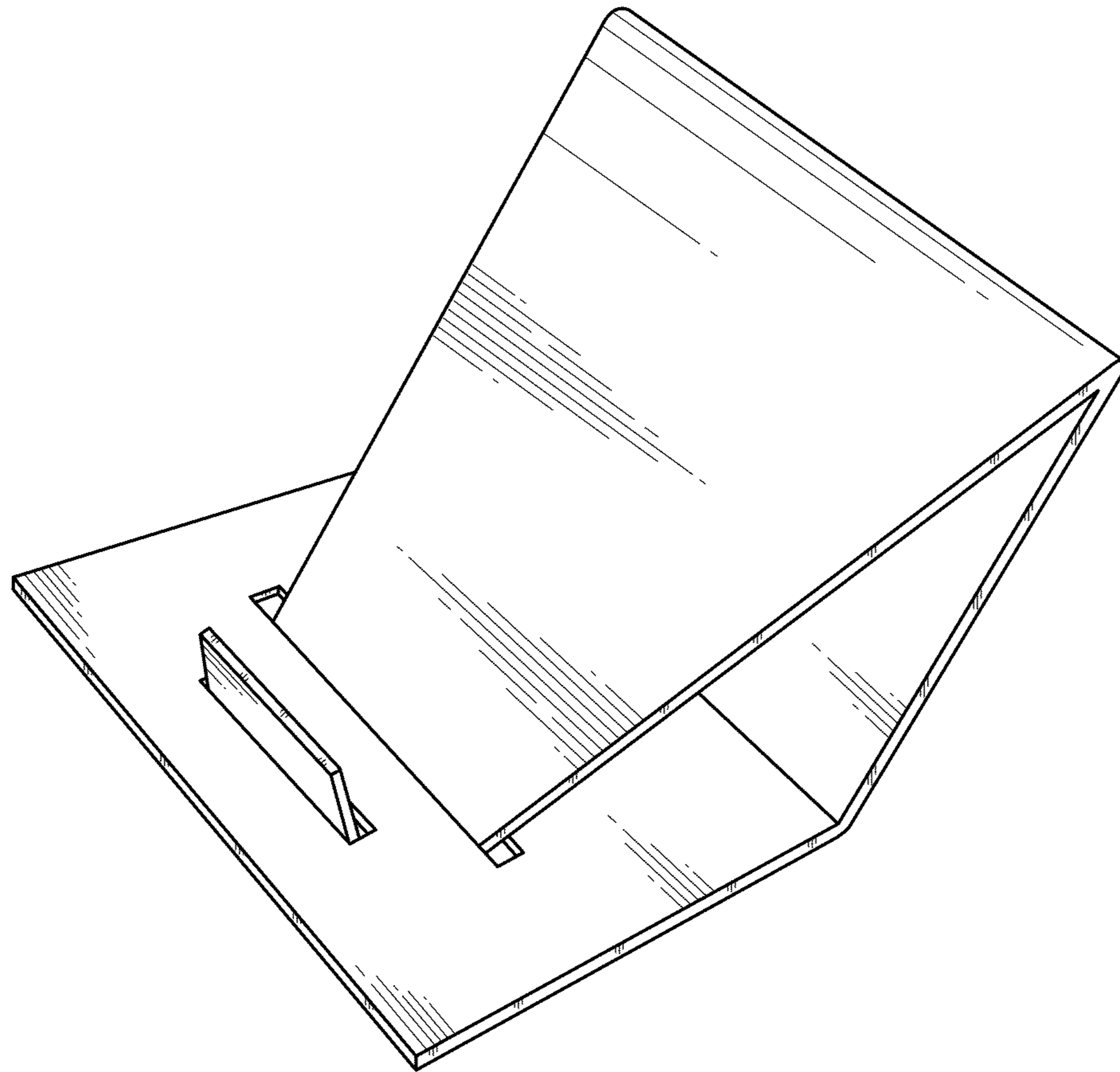


Fig. 1

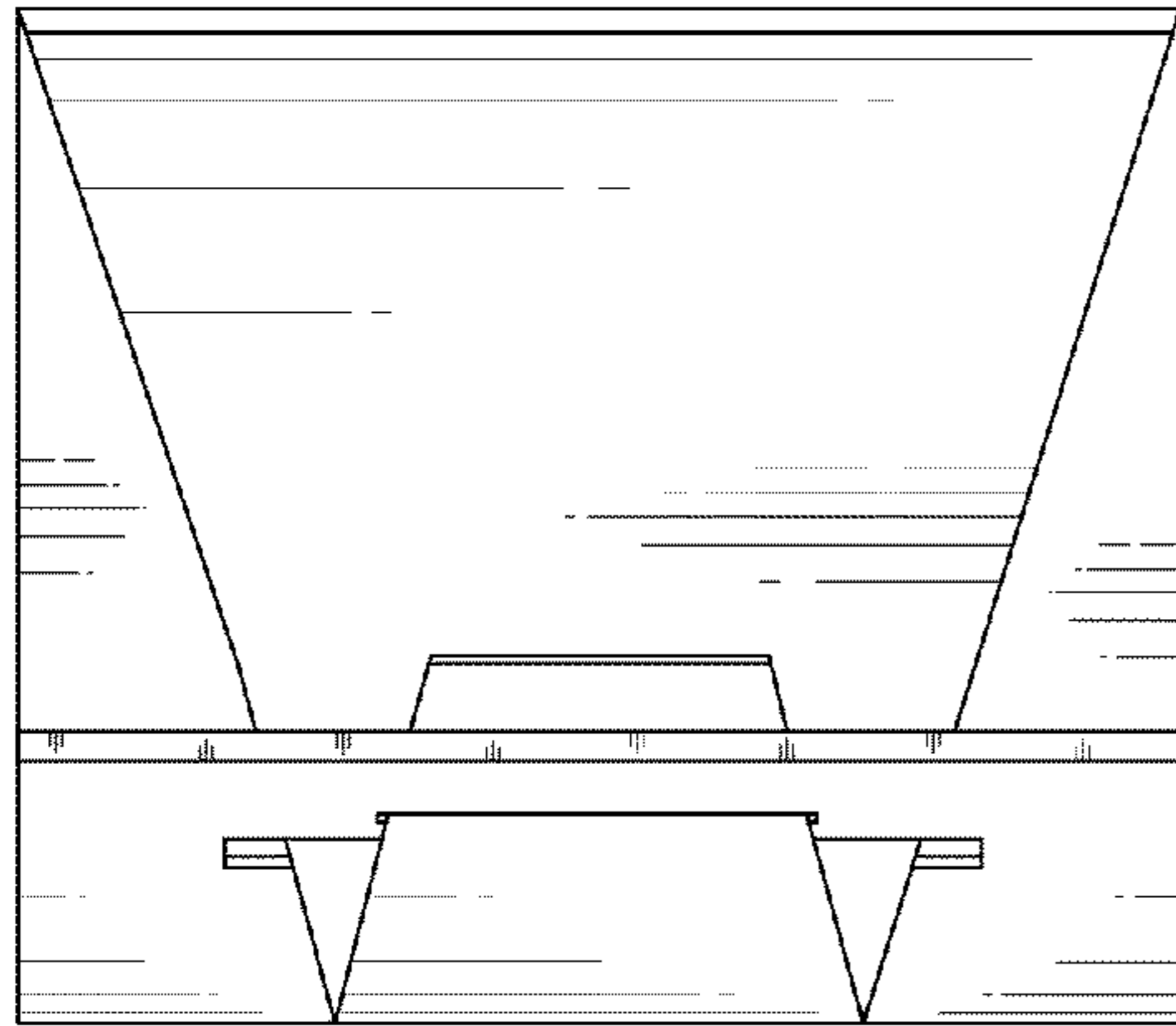


Fig. 2



Fig. 3

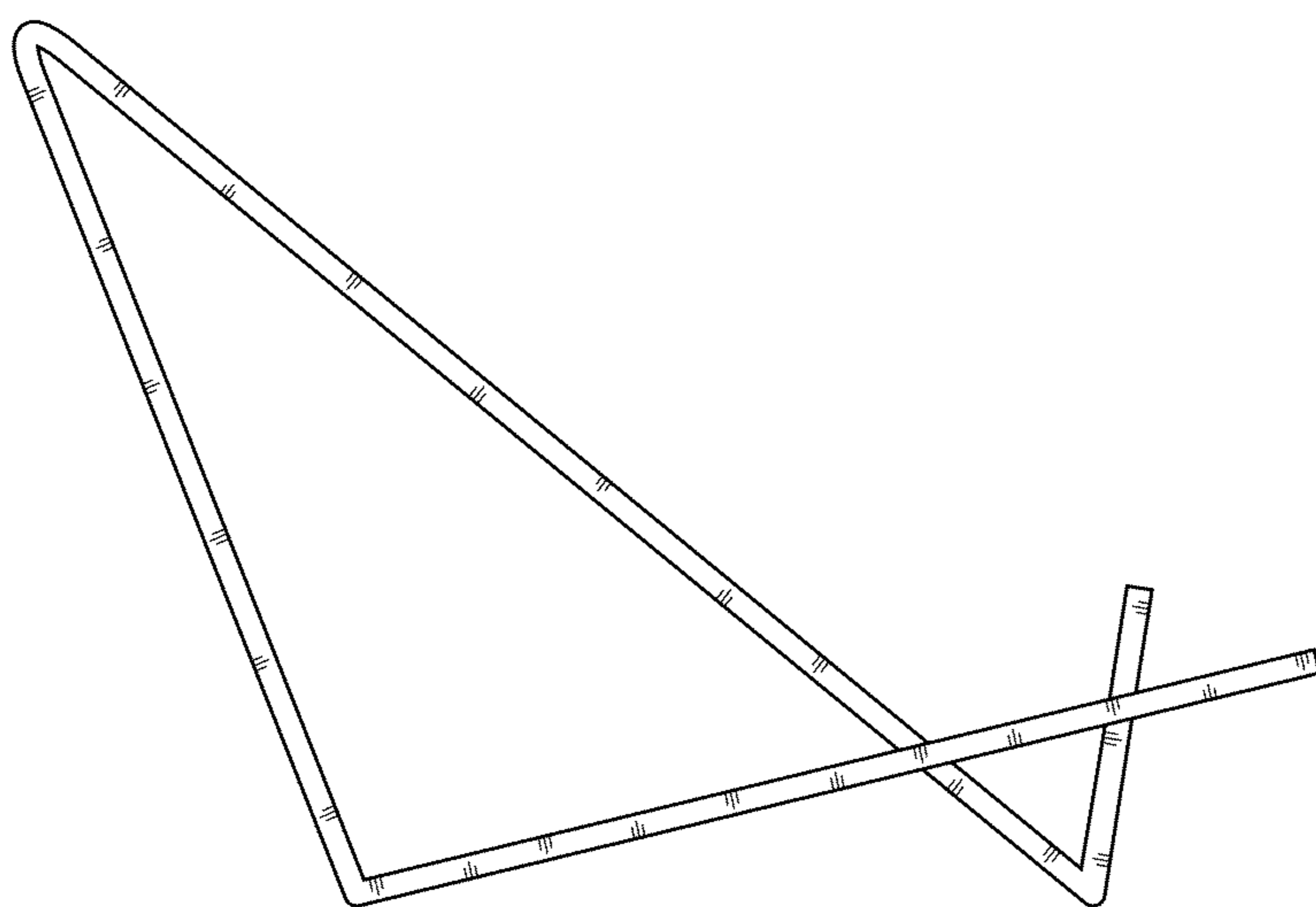


Fig. 4

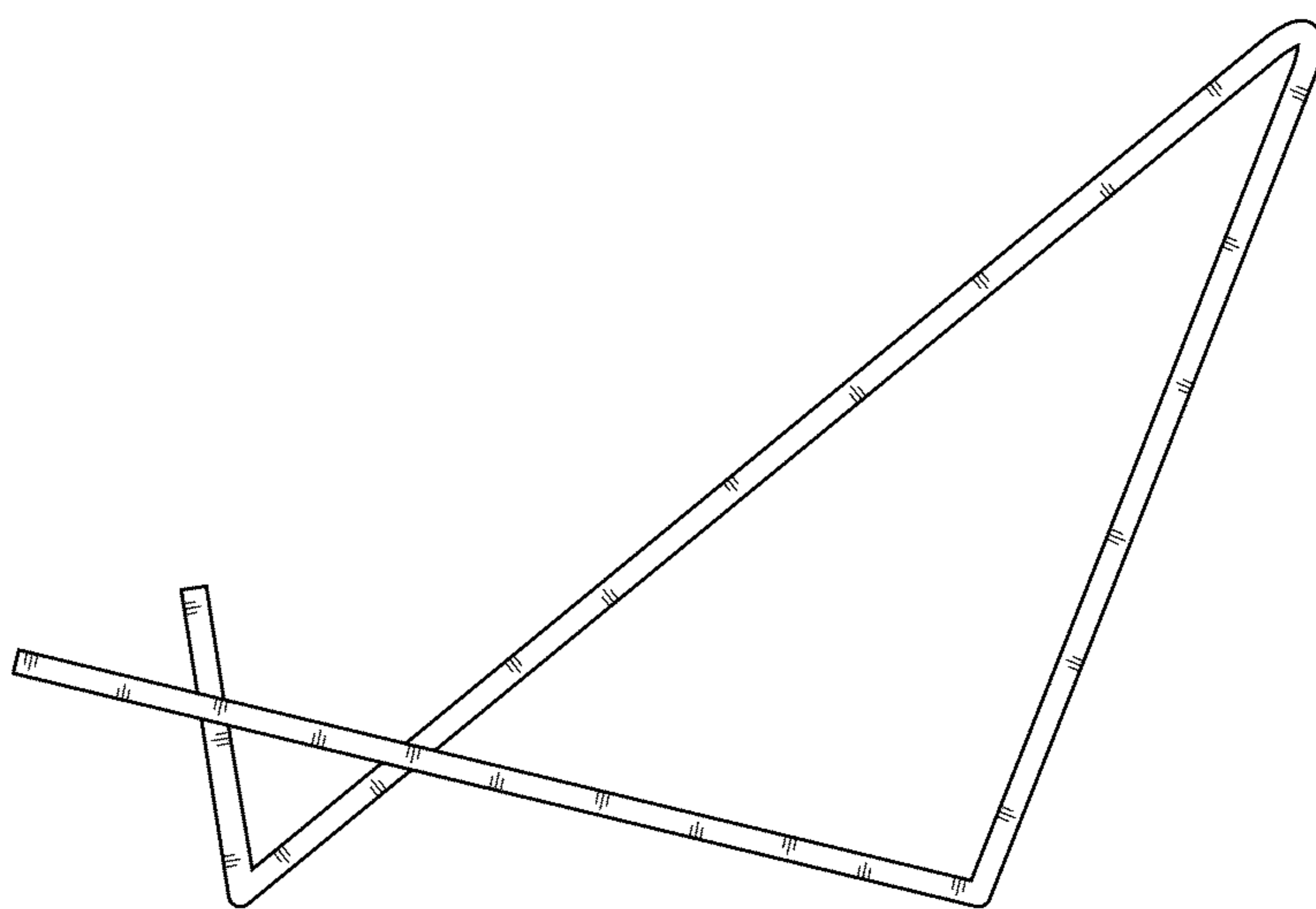


Fig. 5

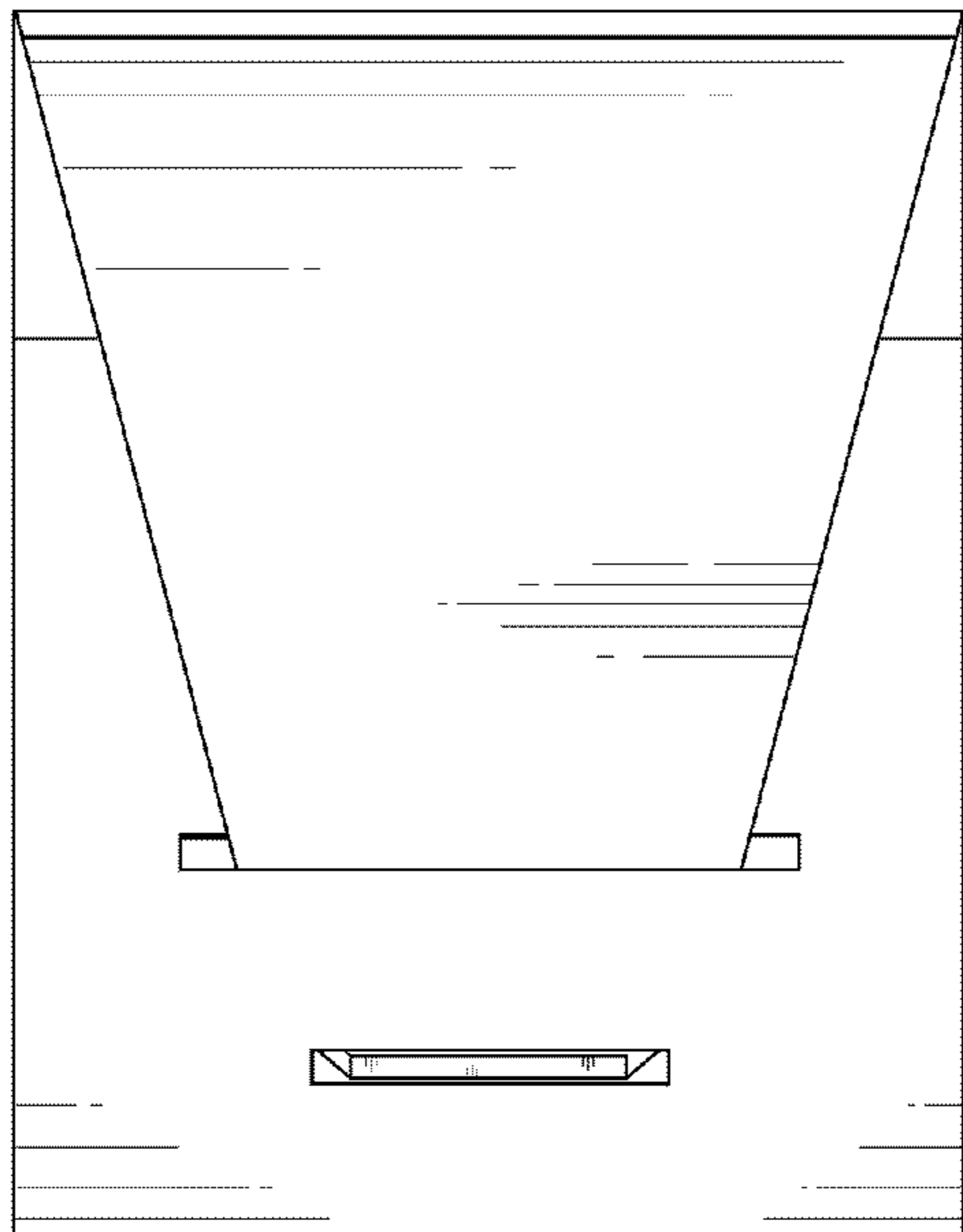


Fig. 6

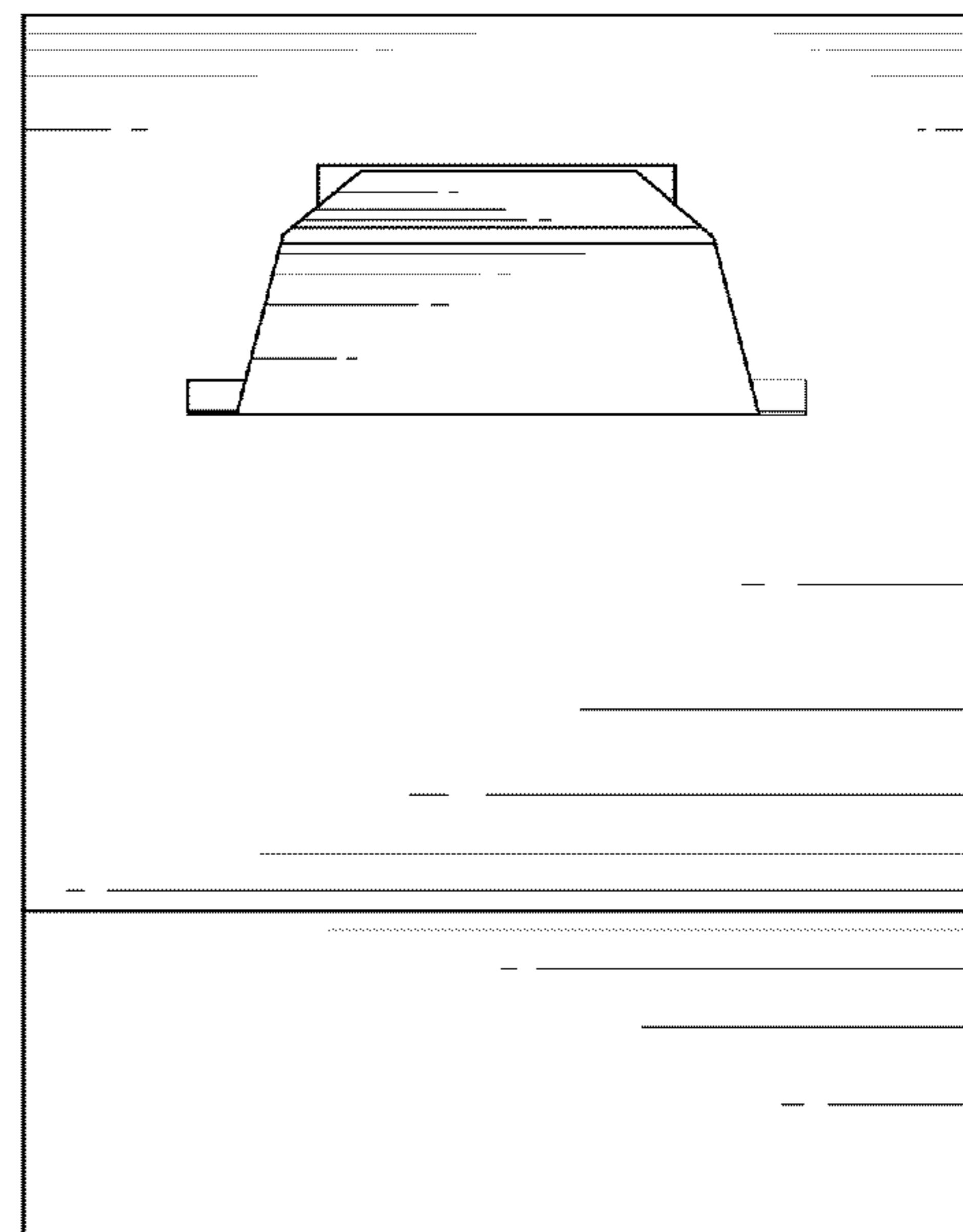


Fig. 7

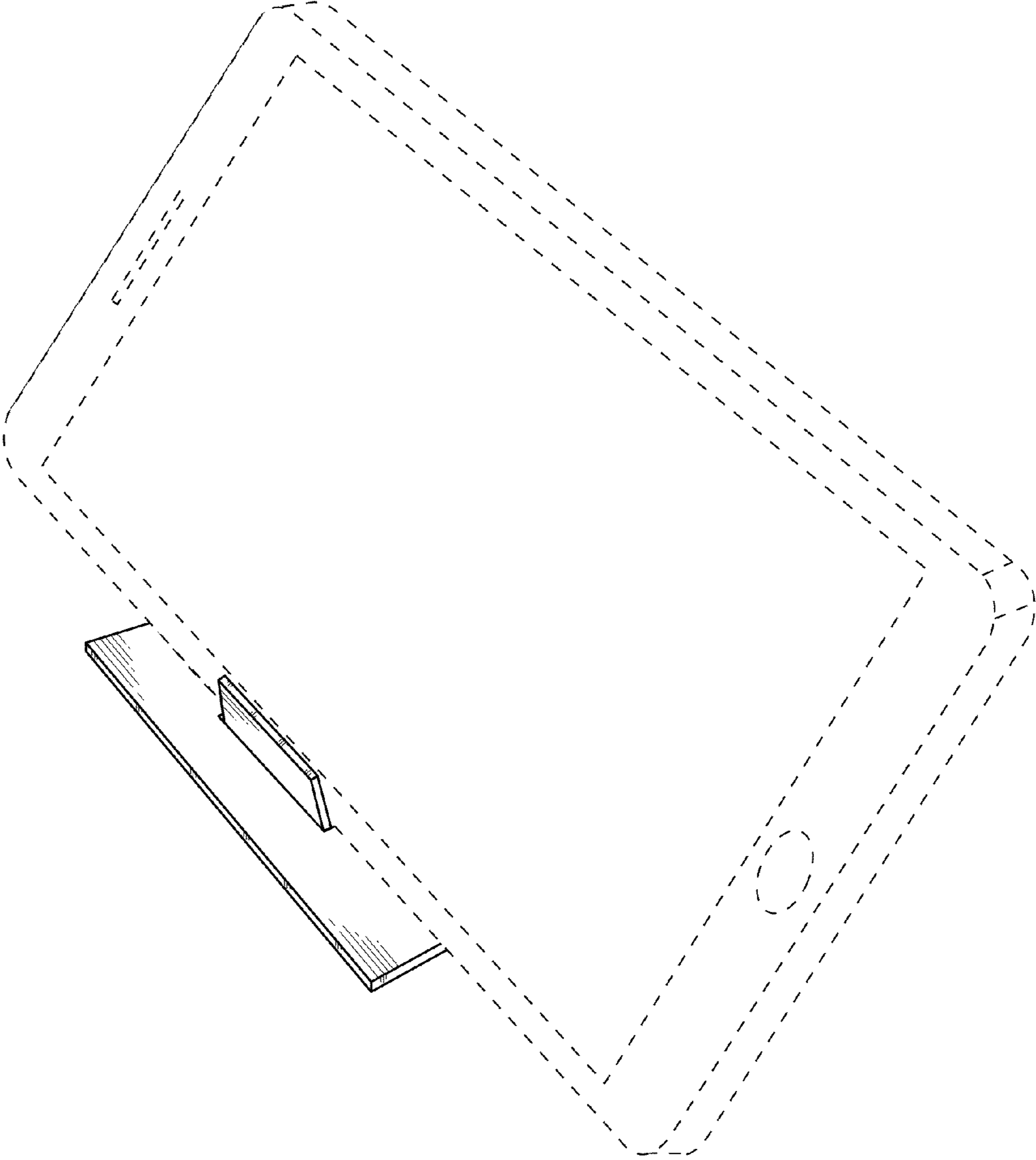


Fig. 8

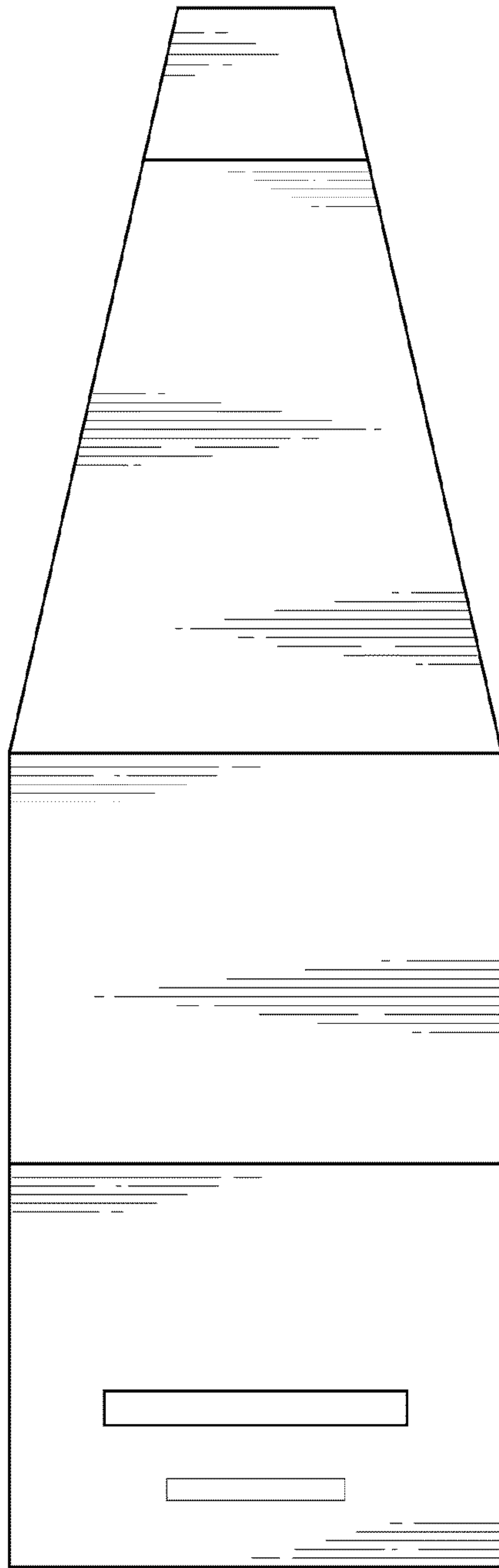


Fig. 9



Fig. 10



Fig. 11



Fig. 12