



US00D730090S

(12) **United States Design Patent**  
**Christal**

(10) **Patent No.:** **US D730,090 S**

(45) **Date of Patent:** **\*\* May 26, 2015**

(54) **SLOTTED AND DOUBLE SIDED ARTICLE SUPPORT**

(71) Applicant: **Albert Christal**, Chicago, IL (US)

(72) Inventor: **Albert Christal**, Chicago, IL (US)

(\*\*) Term: **14 Years**

(21) Appl. No.: **29/504,855**

(22) Filed: **Oct. 10, 2014**

(51) **LOC (10) Cl.** ..... **06-06**

(52) **U.S. Cl.**  
USPC ..... **D6/675.3**

(58) **Field of Classification Search**  
USPC ..... D6/396, 407, 449, 450, 454-463,  
D6/470-471, 473-474, 566, 675,  
D6/675.1-675.3; 108/28, 31-32; 211/1,  
211/13.1, 41.1, 50, 86.01, 134, 153, 195;  
248/441.1, 459

See application file for complete search history.

(56) **References Cited**

**U.S. PATENT DOCUMENTS**

D250,343 S *	11/1978	Macowski	.....	D19/76
D270,549 S *	9/1983	Burton et al.	.....	D19/76
D289,586 S *	5/1987	Staab	.....	D6/449
4,685,647 A *	8/1987	Calhoun	.....	248/444.1
D399,296 S *	10/1998	Joss	.....	D23/304
D399,728 S *	10/1998	Cohen	.....	D8/381
D404,285 S *	1/1999	Skudelny	.....	D8/354
D477,920 S *	8/2003	McCarty et al.	.....	D6/310
D543,383 S *	5/2007	Edison et al.	.....	D6/474
D588,139 S *	3/2009	Fujino et al.	.....	D14/447

D637,035 S *	5/2011	Zorovich et al.	.....	D7/388
D639,582 S *	6/2011	Mischkulnig	.....	D6/474
D647,525 S *	10/2011	Seto	.....	D14/434
D647,907 S *	11/2011	Perry et al.	.....	D14/434
D658,167 S *	4/2012	Buesseler et al.	.....	D14/251
D668,662 S *	10/2012	Suiter	.....	D14/447
D669,064 S *	10/2012	Huang	.....	D14/251
D672,350 S *	12/2012	Gioscia et al.	.....	D14/434
D683,964 S *	6/2013	Brunner	.....	D3/313
D696,260 S *	12/2013	Merea	.....	D14/447
D698,306 S *	1/2014	Grovender et al.	.....	D12/317
D706,784 S *	6/2014	Mills	.....	D14/447
D707,993 S *	7/2014	Grigonis, Jr.	.....	D6/675.3
D709,716 S *	7/2014	Watson	.....	D6/675.3
D714,576 S *	10/2014	Buller	.....	D6/682.3
D717,290 S *	11/2014	Shen	.....	D14/253

\* cited by examiner

*Primary Examiner* — Kelley Donnelly

(74) *Attorney, Agent, or Firm* — Daniel Boudwin; Global Intellectual Property Agency LLC

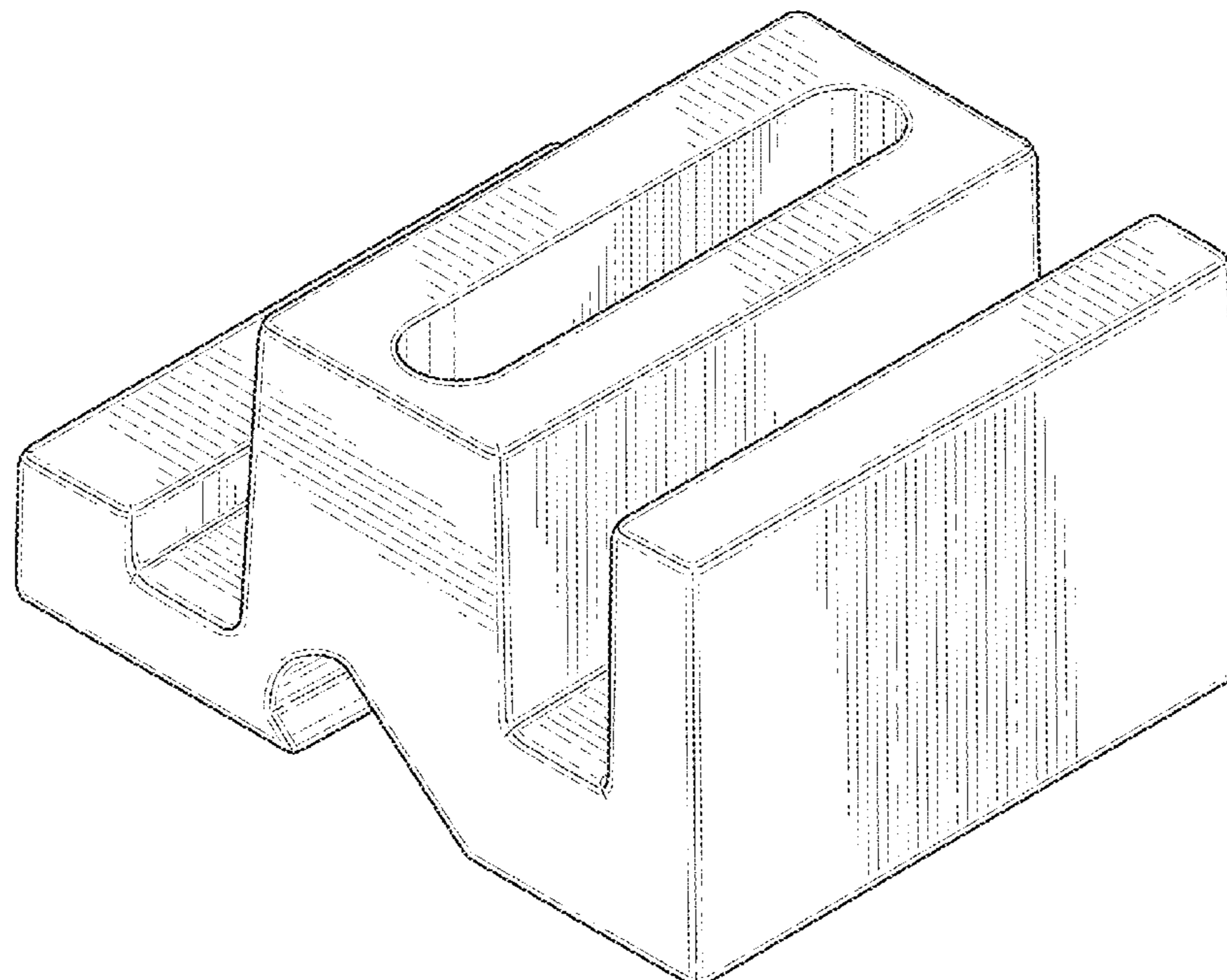
(57) **CLAIM**

The ornamental design for a view of the slotted and double sided article support, as shown and described.

**DESCRIPTION**

FIG. 1 is a rear perspective view of a slotted and double sided article support of the present invention; FIG. 2 is a left side view thereof; FIG. 3 is a right side view thereof; FIG. 4 is a rear view thereof; FIG. 5 is a front view thereof; FIG. 6 is a top view thereof; and, FIG. 7 is a bottom view thereof.

**1 Claim, 4 Drawing Sheets**



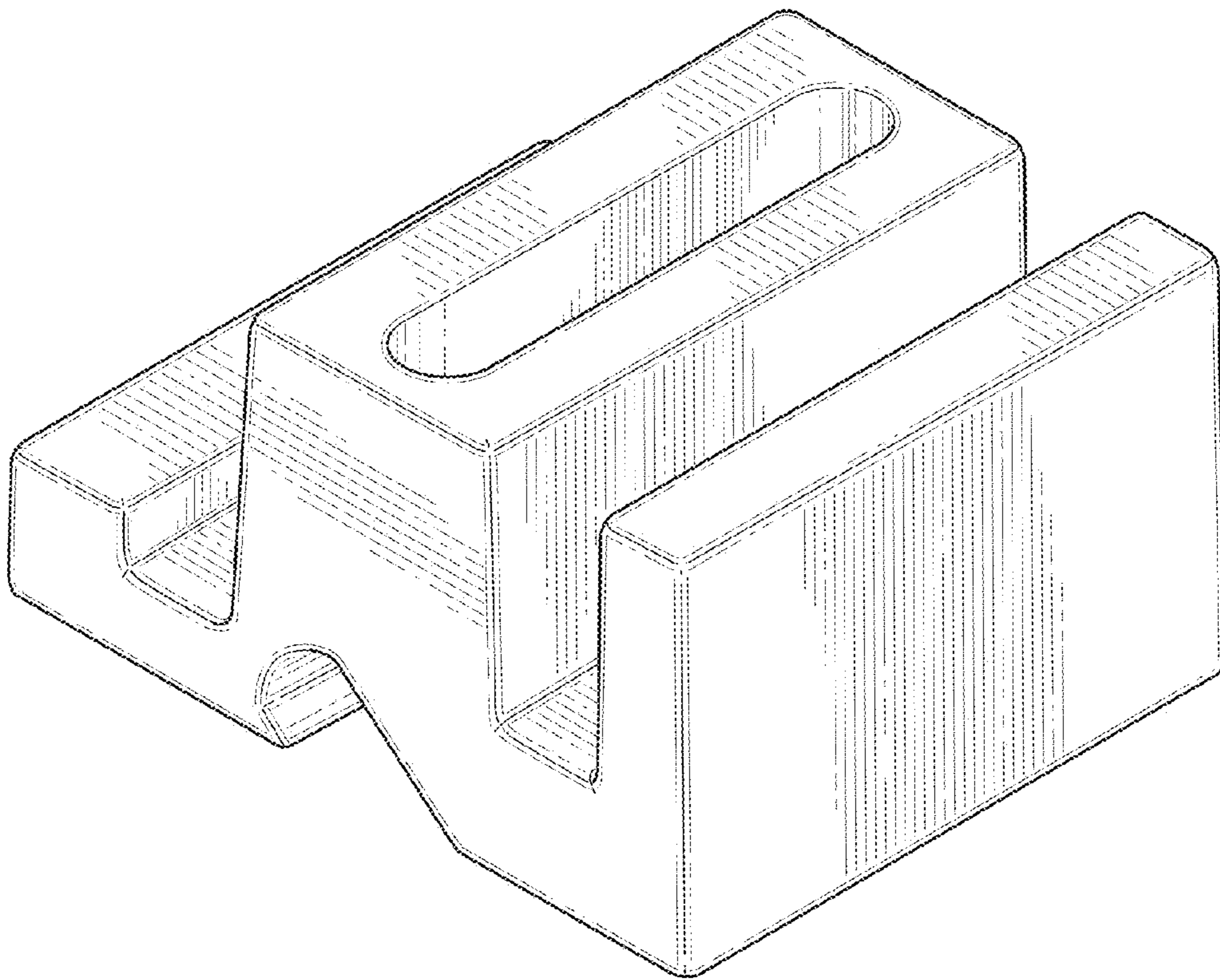


FIG. 1

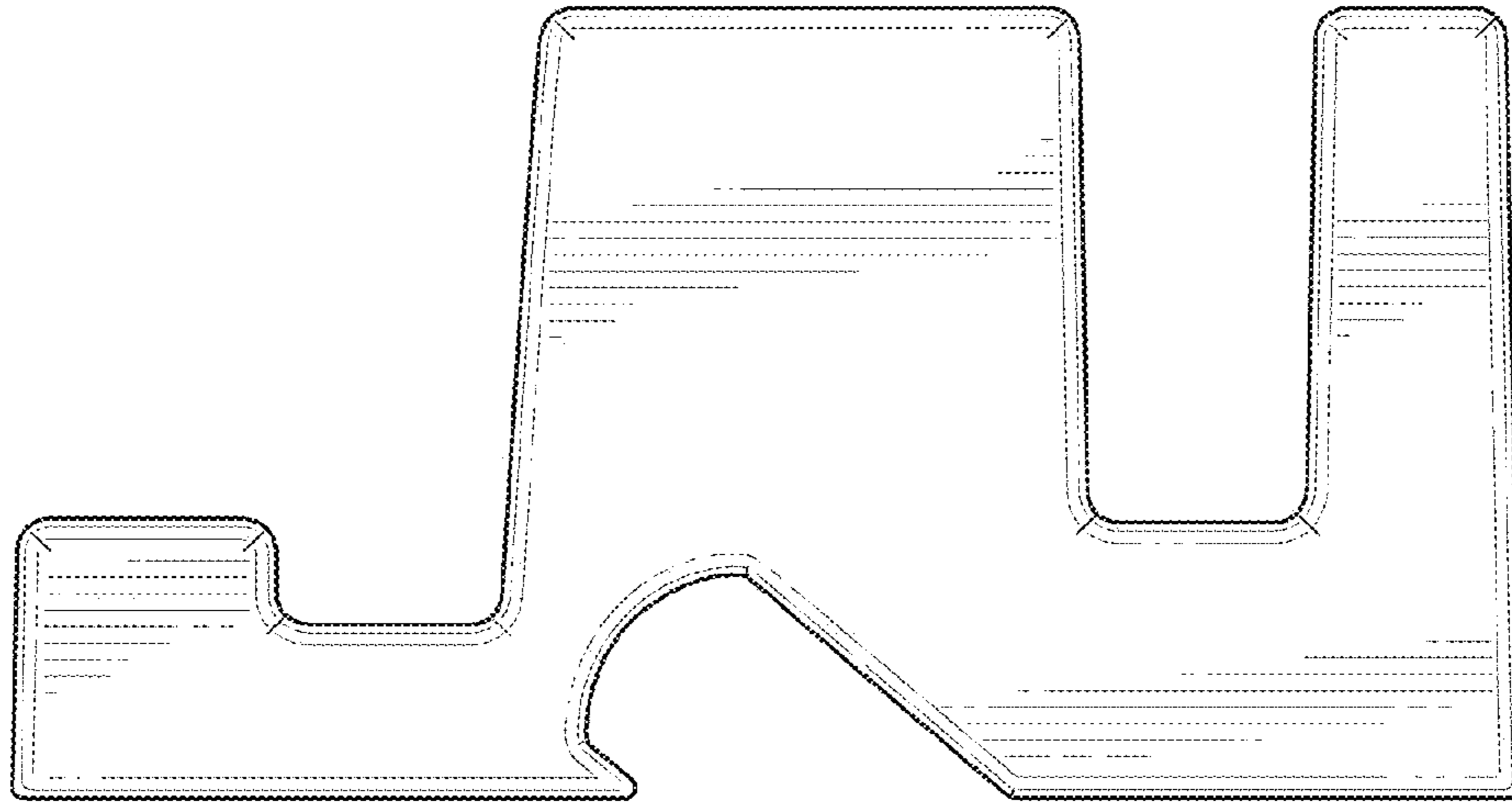


FIG. 2

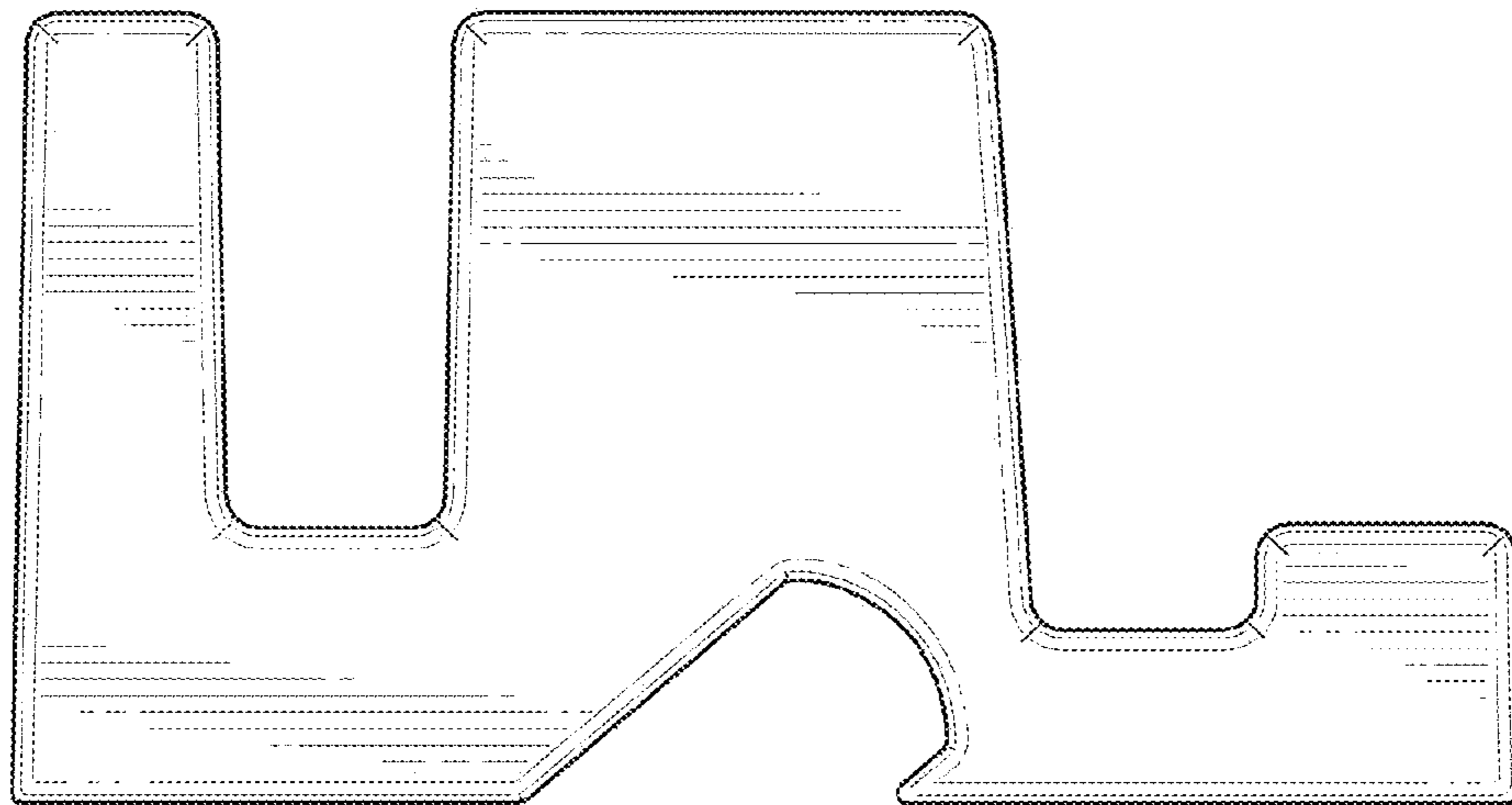
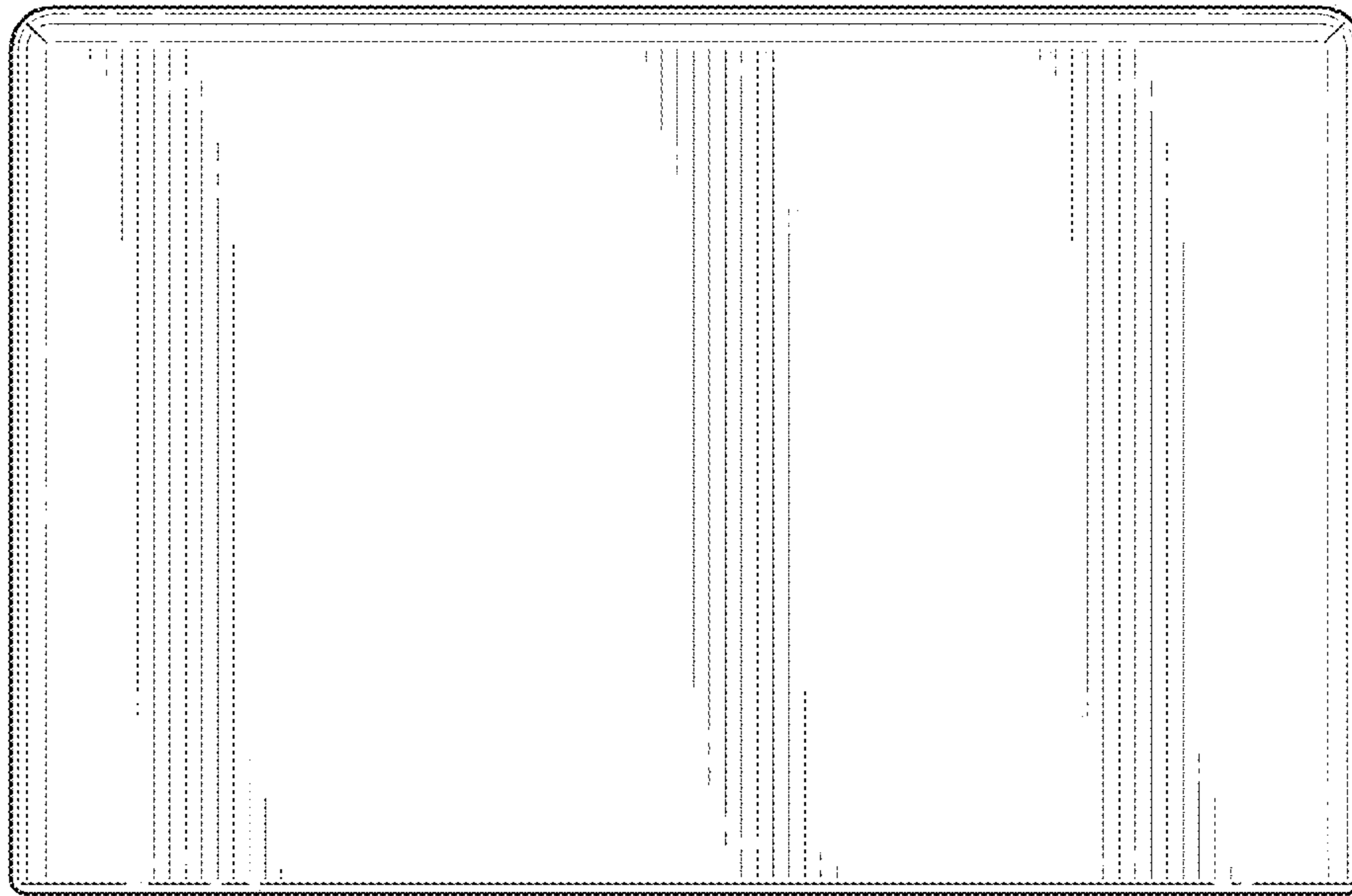


FIG. 3



**FIG. 4**



**FIG. 5**

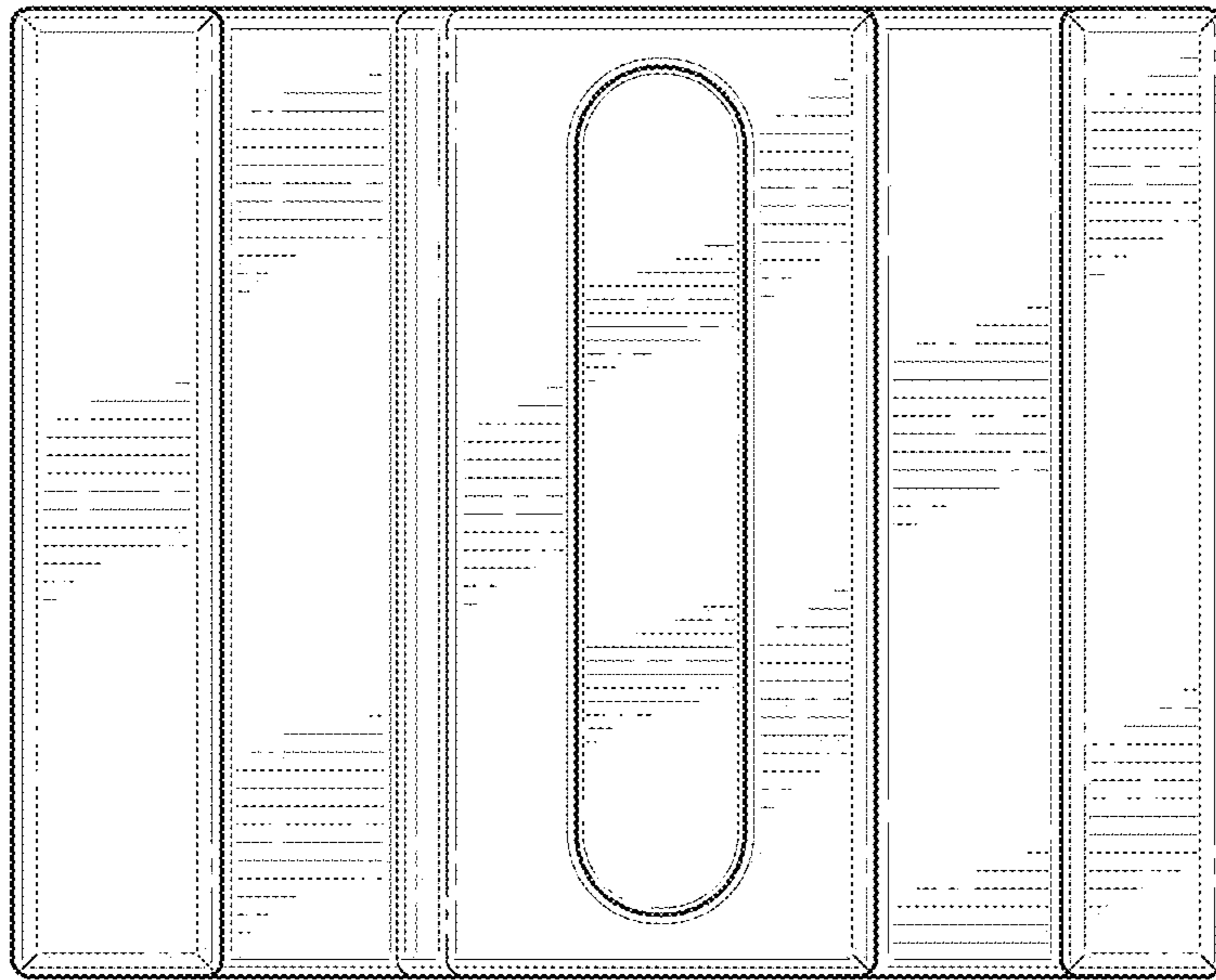


FIG. 6

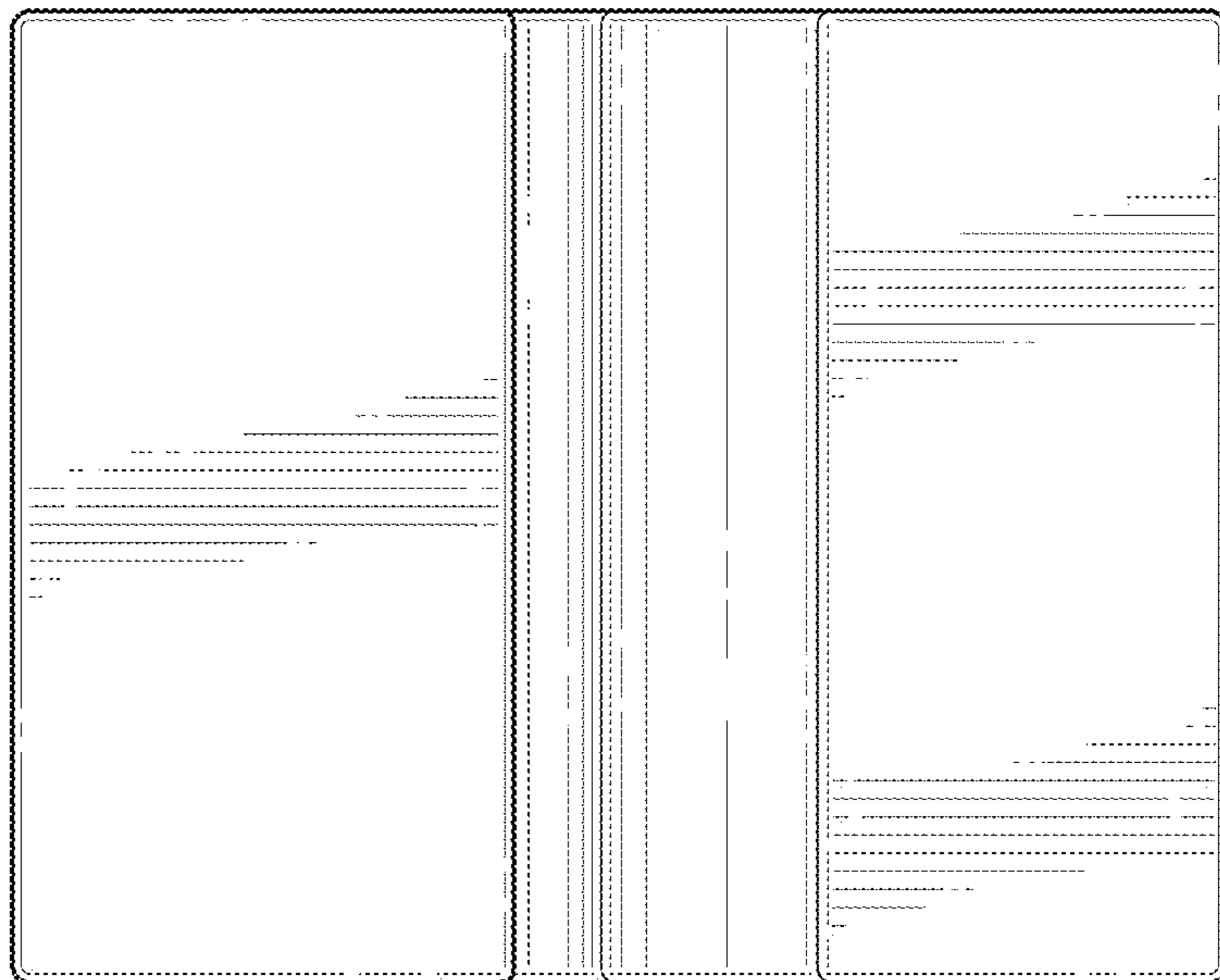


FIG. 7