



US00D730088S

(12) **United States Design Patent**
Brunner

(10) **Patent No.:** **US D730,088 S**

(45) **Date of Patent:** **** May 26, 2015**

(54) **TOOL CABINET UNIT**

(71) Applicant: **KETER PLASTIC LTD.**, Herzelyia (IL)

(72) Inventor: **Yaron Brunner**, Timrat (IL)

(73) Assignee: **KETER PLASTIC LTD.**, Herzelyia (IL)

(**) Term: **14 Years**

(21) Appl. No.: **29/475,806**

(22) Filed: **Dec. 6, 2013**

Related U.S. Application Data

(63) Continuation-in-part of application No. 29/458,017, filed on Jun. 14, 2013.

(51) **LOC (10) Cl.** **06-04**

(52) **U.S. Cl.**
USPC **D6/663**

(58) **Field of Classification Search**
USPC D6/400, 432, 436-441, 445-448, 510, D6/663, 671, 671.1; D24/128, 169, 172, D24/185; D34/12-27; 312/108, 204, 249.4, 312/249.11, 249.12, 281, 308-310, 330.1
See application file for complete search history.

(56) **References Cited**

U.S. PATENT DOCUMENTS

D361,910 S * 9/1995 Maple et al. D6/445
D411,678 S * 6/1999 Di Paolo D34/21

D423,817 S * 5/2000 Holcomb et al. D6/445
D423,818 S * 5/2000 Holcomb et al. D6/445
D427,807 S * 7/2000 Holcomb et al. D6/445
D489,858 S * 5/2004 Hay et al. D34/20
D509,939 S * 9/2005 Hay et al. D34/20
6,976,744 B2 * 12/2005 Hay et al. 312/281
D524,506 S * 7/2006 Hay et al. D34/20
D546,017 S * 7/2007 Wise D34/19
D615,208 S * 5/2010 Keffeler et al. D24/185
D665,597 S * 8/2012 Dufoure et al. D6/445
2009/0085448 A1 * 4/2009 Zhang 312/309

* cited by examiner

Primary Examiner — Ricky Pham

(74) *Attorney, Agent, or Firm* — Vorys, Sater, Seymour and Pease LLP; Susanne M. Hopkins; William L. Klima

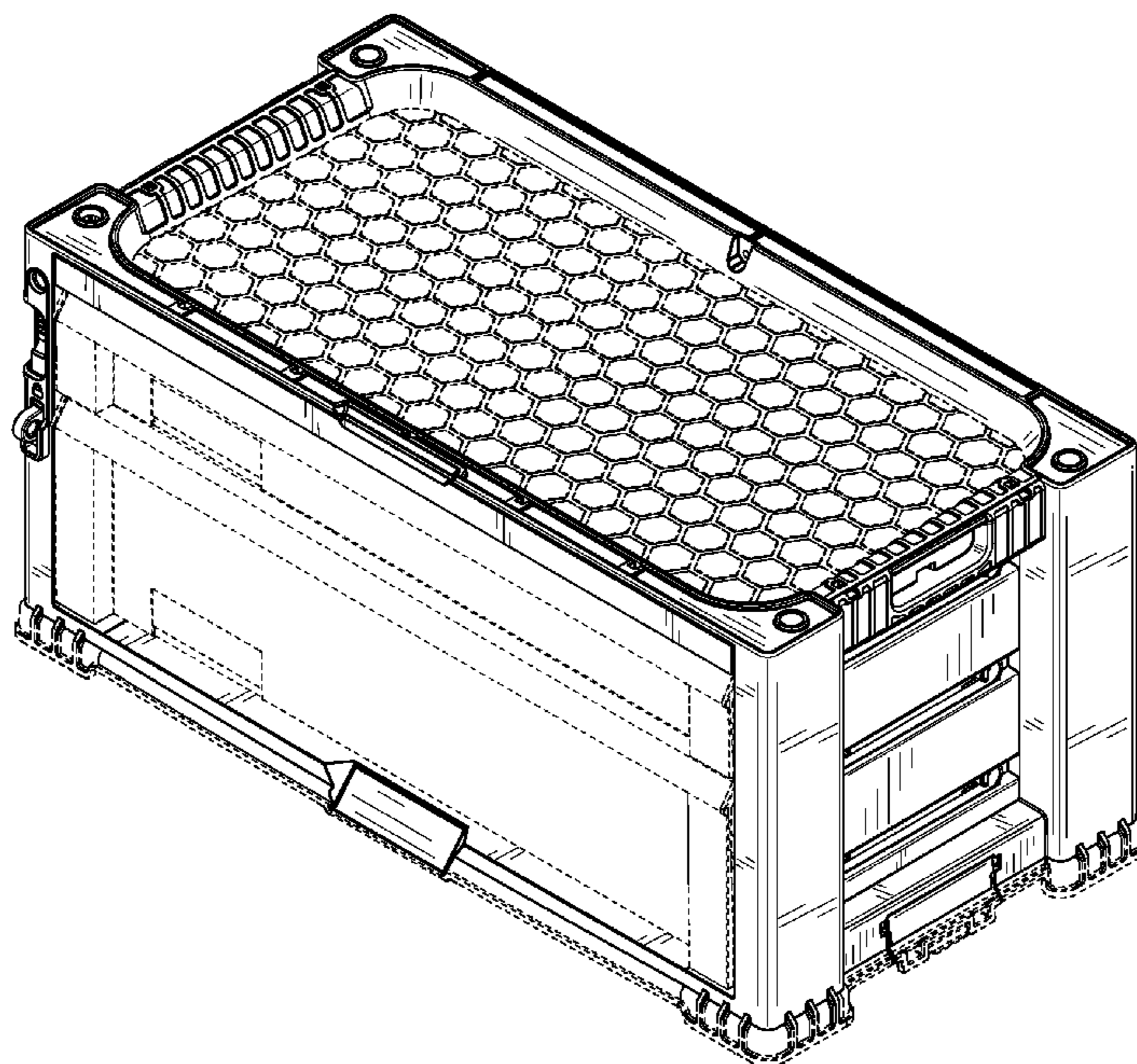
(57) **CLAIM**

The ornamental design for a tool cabinet unit, as shown and described.

DESCRIPTION

FIG. 1 is a front perspective view of a tool cabinet unit;
FIG. 2 is a front elevational view thereof;
FIG. 3 is a rear elevational view thereof;
FIG. 4 is a right-side elevational view thereof;
FIG. 5 is a left-side elevational view thereof; and,
FIG. 6 is a top planar view thereof.
The parts delineated in broken line form no part of the claimed design.

1 Claim, 6 Drawing Sheets



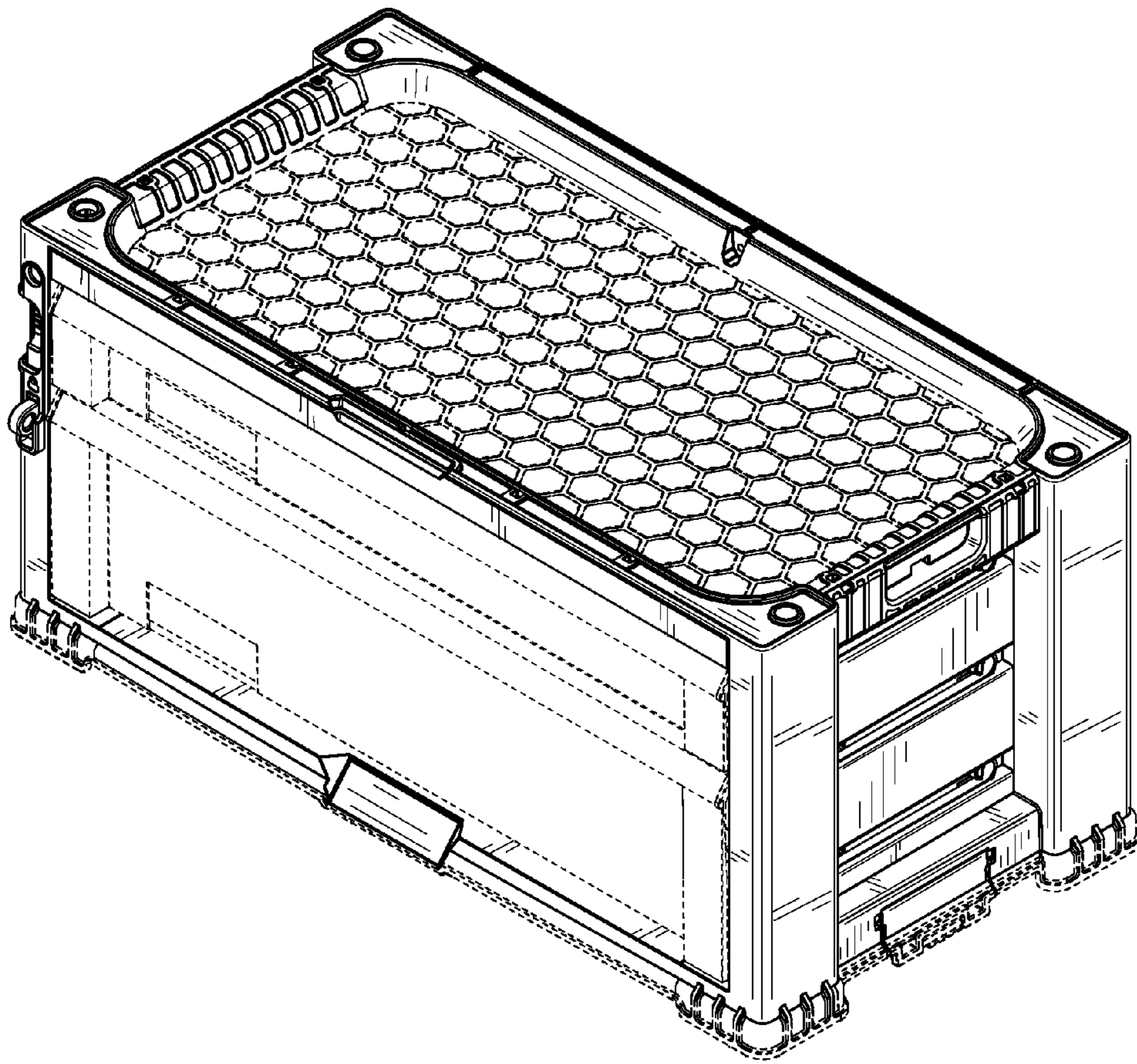


FIG. 1

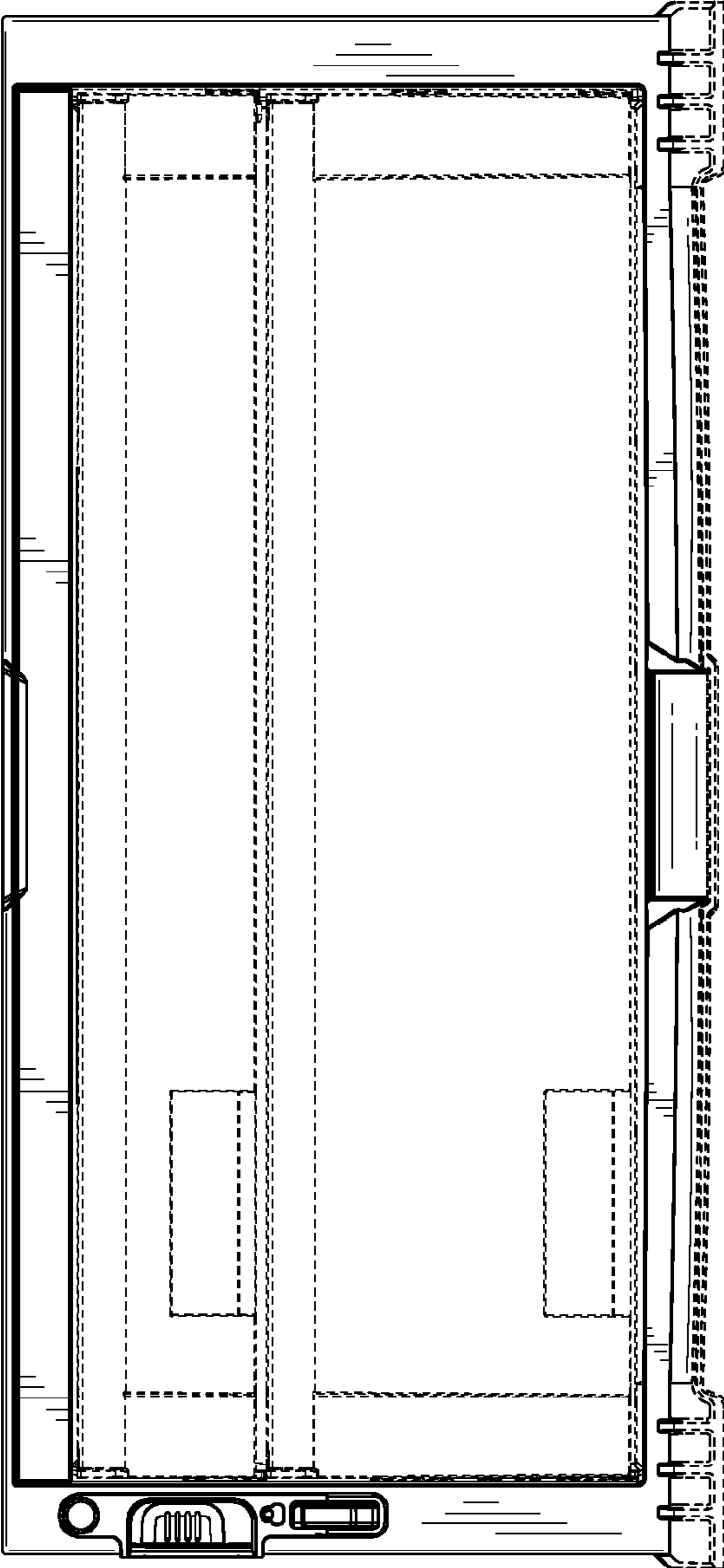


FIG. 2

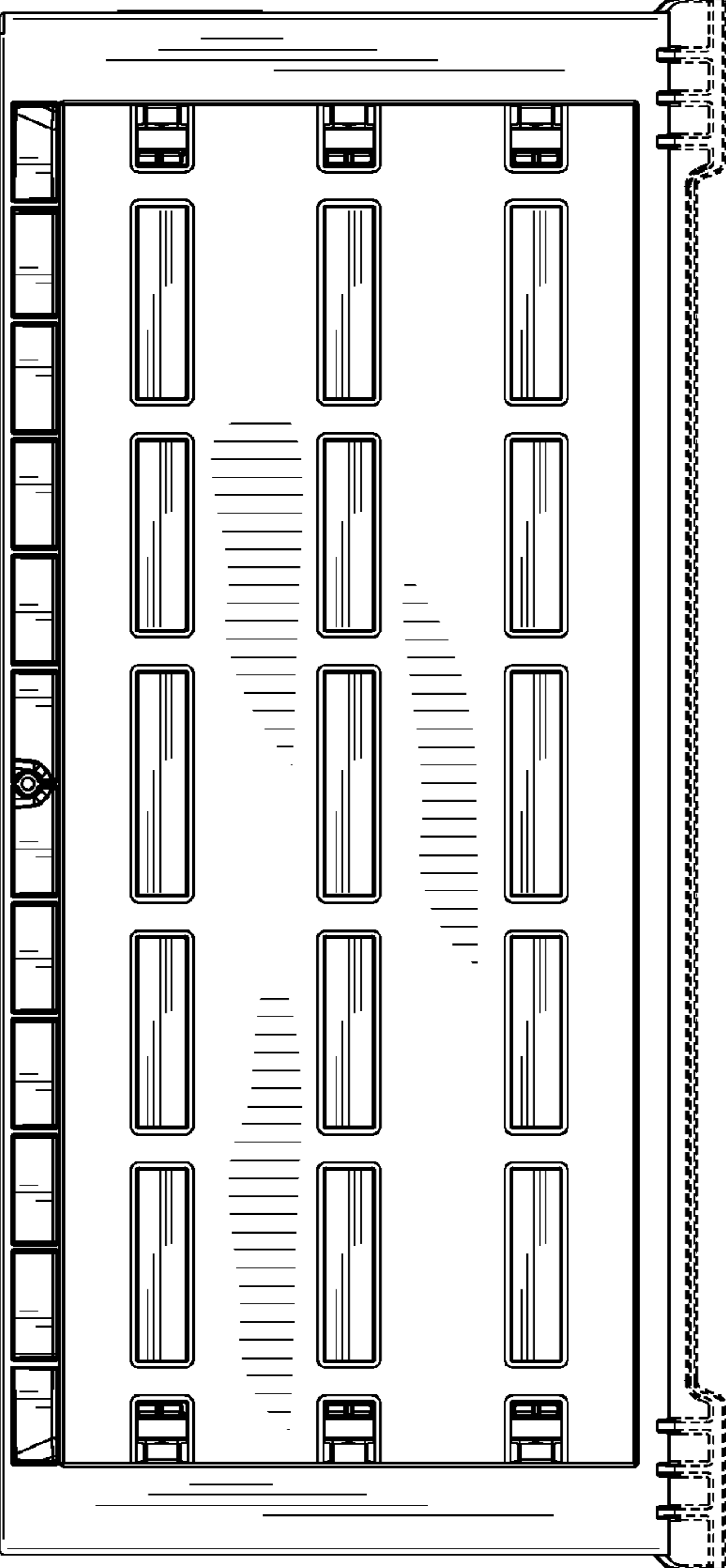


FIG. 3

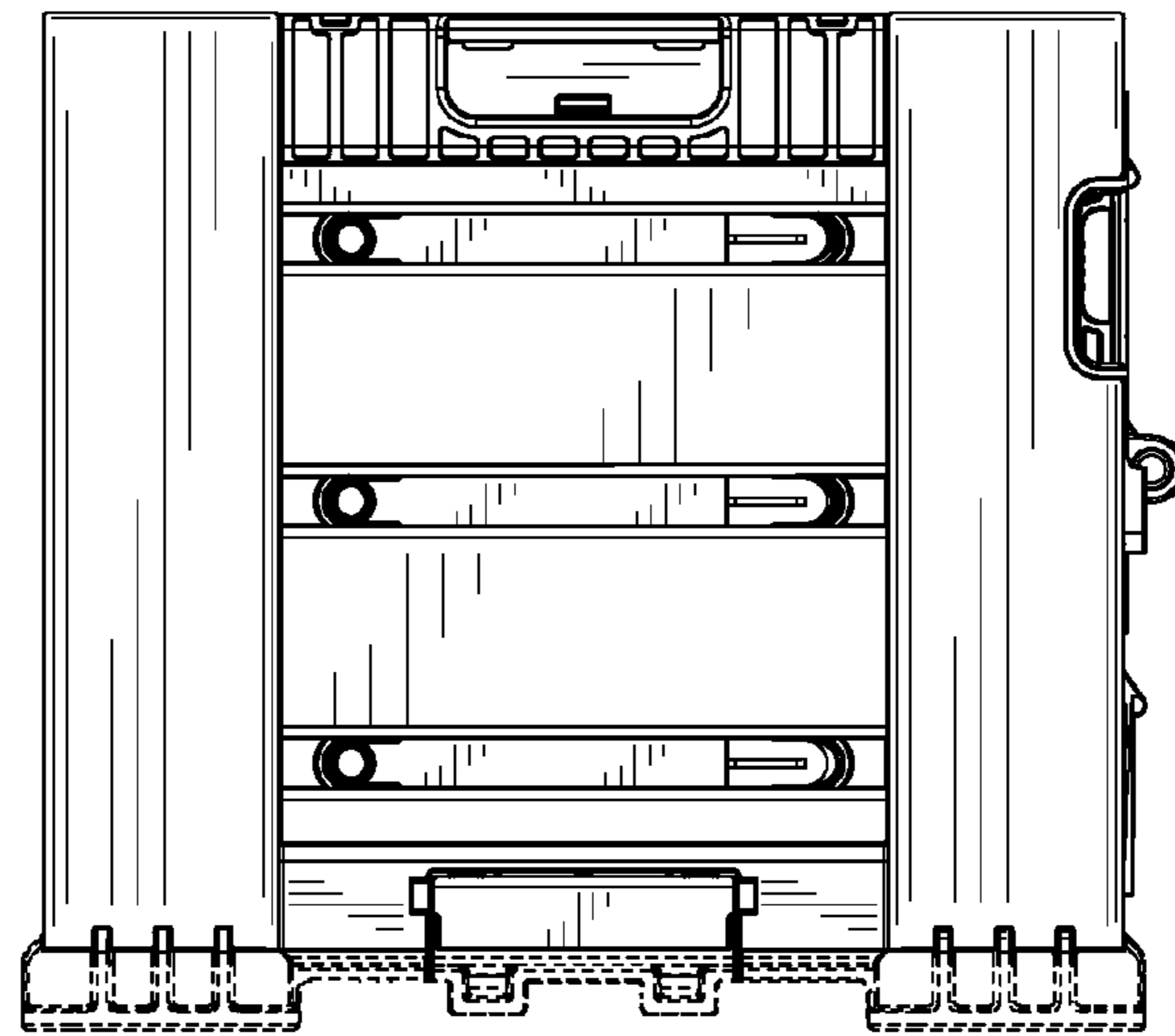


FIG. 4

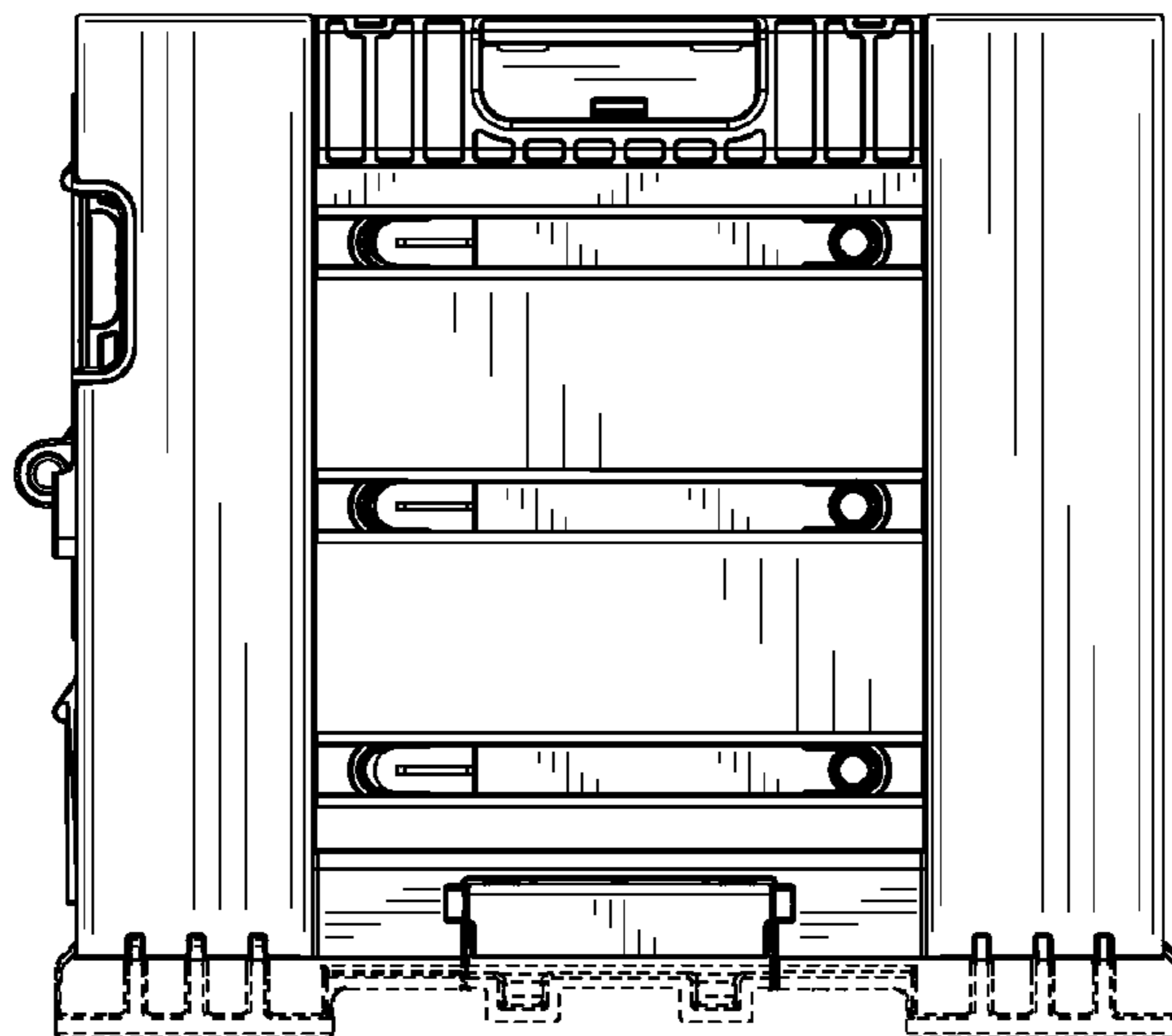


FIG. 5

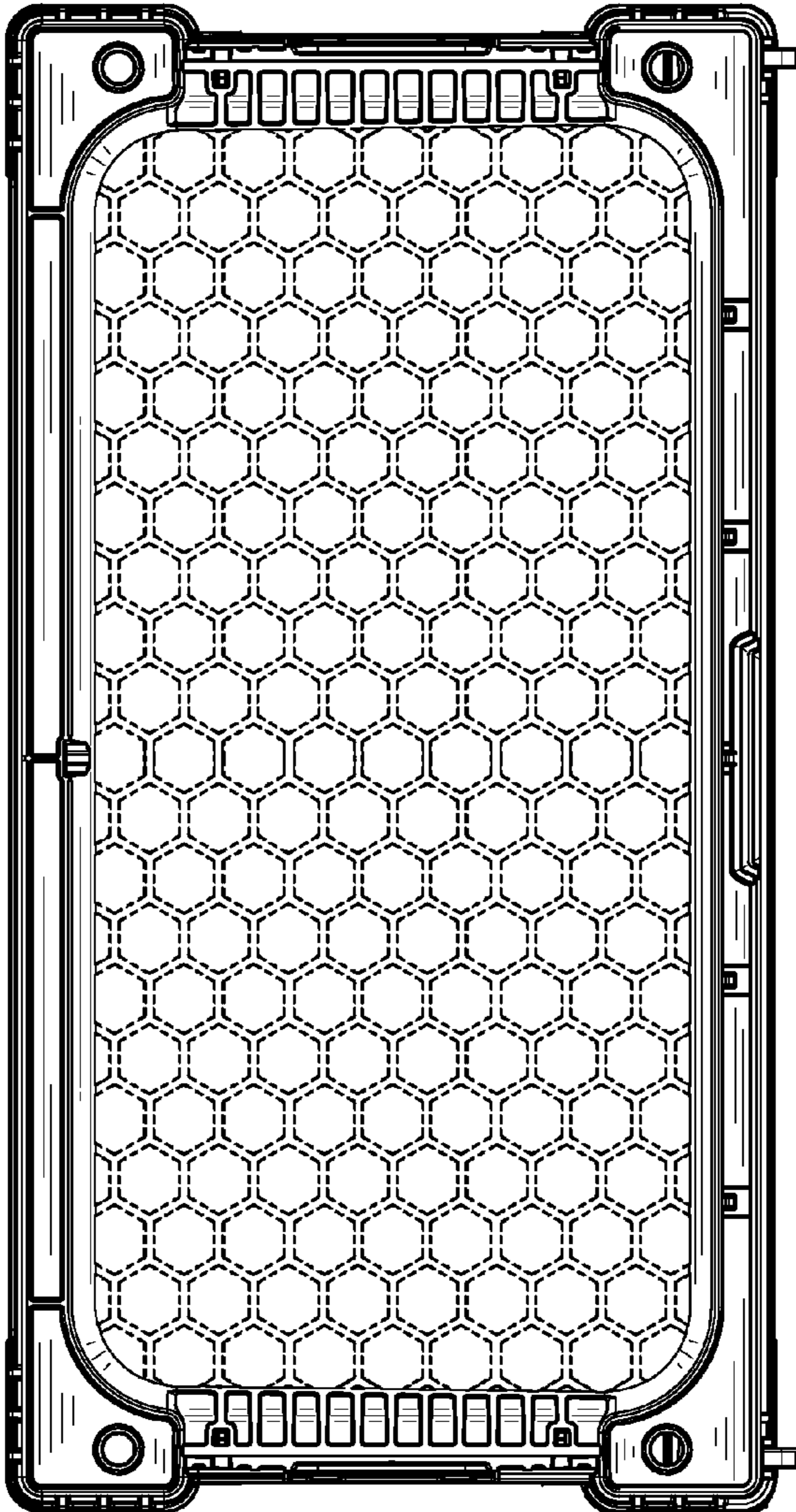


FIG. 6