



US00D730086S

(12) **United States Design Patent**
Kitada

(10) **Patent No.:** **US D730,086 S**

(45) **Date of Patent:** **** May 26, 2015**

(54) **TABLE WITH MONITOR STAND**

(71) Applicant: **Okamura Corporation**, Yokohama-shi,
Kanagawa (JP)

(72) Inventor: **Kazuhiko Kitada**, Yokohama (JP)

(73) Assignee: **Okamura Corporation**, Kanagawa (JP)

(**) Term: **14 Years**

(21) Appl. No.: **29/483,893**

(22) Filed: **Mar. 4, 2014**

(30) **Foreign Application Priority Data**

Sep. 13, 2013 (JP) 2013-021240

(51) **LOC (10) Cl.** **06-03**

(52) **U.S. Cl.**
USPC **D6/654**; D6/643

(58) **Field of Classification Search**
CPC A47B 83/001; A47B 2021/0364;
A47B 21/02; A47B 21/04; A47B 21/314;
A47B 21/00; A47B 2097/005; A47B
2200/0073; A47B 2200/0076
USPC D6/643, 643.1, 332, 641, 642, 654;
D25/16; D14/302, 304, 305, 451;
108/60; 312/239, 196; 160/135; 52/239
See application file for complete search history.

(56) **References Cited**

U.S. PATENT DOCUMENTS

D218,526 S * 8/1970 MacDuff D6/421
D289,471 S * 4/1987 Sottsass et al. D6/397

D457,757 S * 5/2002 Nevarez D6/480
D526,811 S * 8/2006 Nicoletti D6/421
D675,213 S * 1/2013 Stifal et al. D14/451
2005/0062369 A1 * 3/2005 Mizuno 312/196
2011/0303127 A1 * 12/2011 Fryshman 108/50.11

* cited by examiner

Primary Examiner — Janice Seeger

(74) *Attorney, Agent, or Firm* — Sughrue Mion, PLLC

(57) **CLAIM**

The ornamental design for a table with monitor stand, as shown and described.

DESCRIPTION

FIG. 1 is a perspective view from the front side of a table with monitor stand.

FIG. 2 is a perspective view from the rear side thereof.

FIG. 3 is a front elevation view thereof. A rear elevation view is a mirror image of the front elevation view.

FIG. 4 is a right side elevation view thereof.

FIG. 5 is a left side elevation view thereof.

FIG. 6 is a top plan view thereof.

FIG. 7 is a bottom plan view thereof.

FIG. 8 is an enlarged cross-sectional view taken along the line 8-8 in FIG. 4.

FIG. 9 is an enlarged cross-sectional view taken along the line 9-9 in FIG. 3.

FIG. 10 is an enlarged cross-sectional view taken along the line 10-10 in FIG. 3; and,

FIG. 11 is a referential view showing use thereof.

The portion shown in broken lines in FIG. 11 is for the purpose of showing environmental structure only and forms no part of the claimed design.

1 Claim, 11 Drawing Sheets

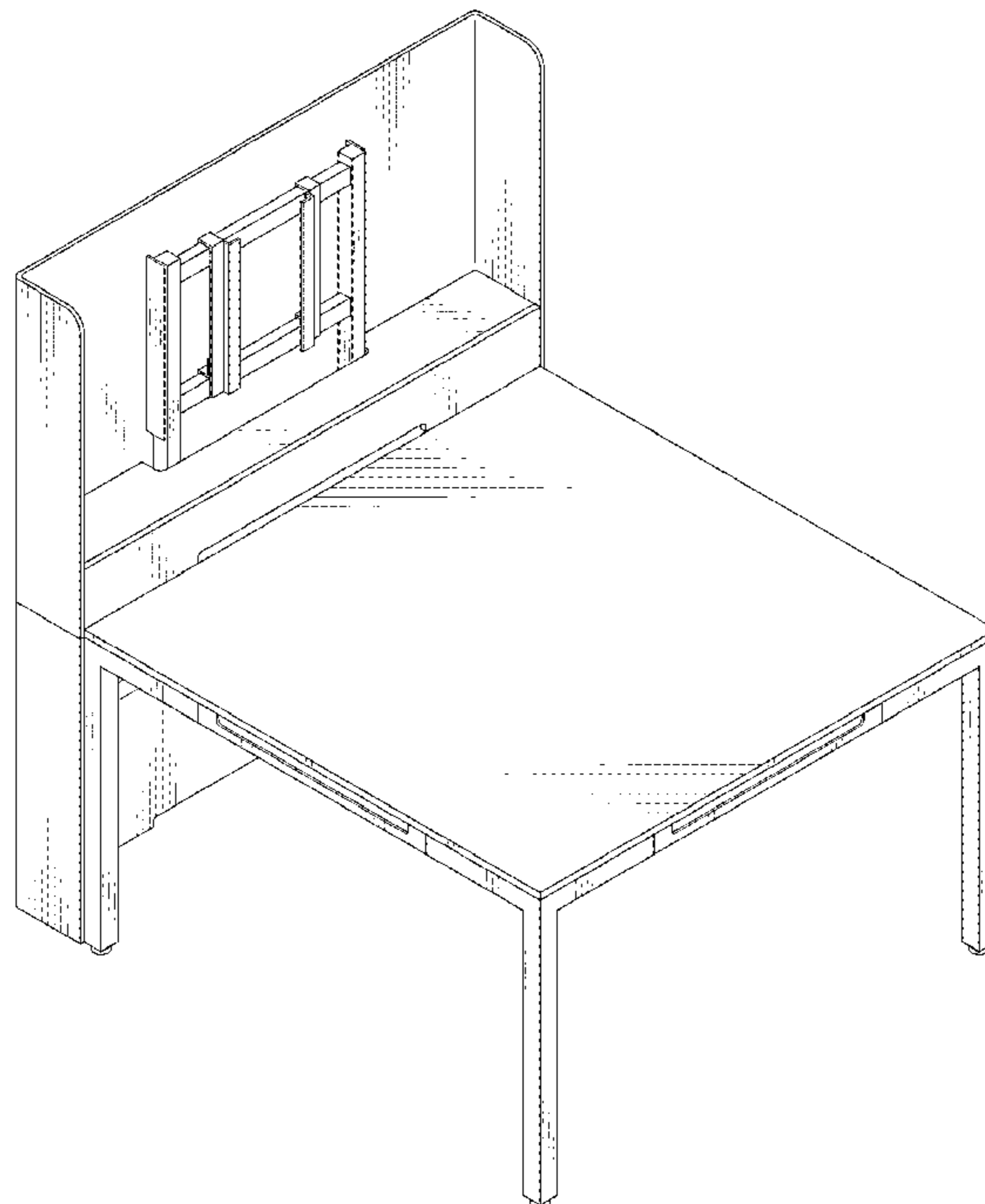


FIG. 1

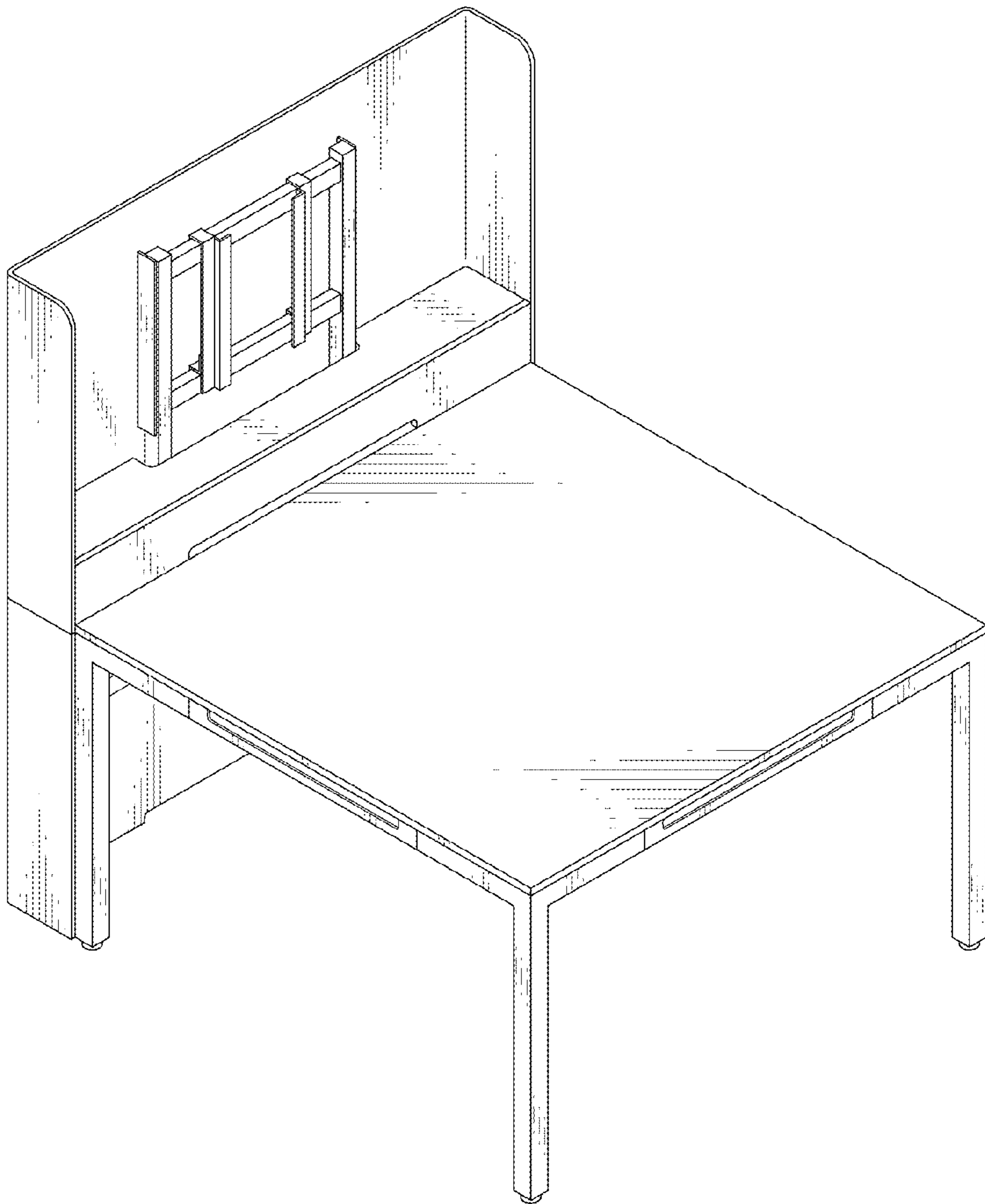


FIG. 2

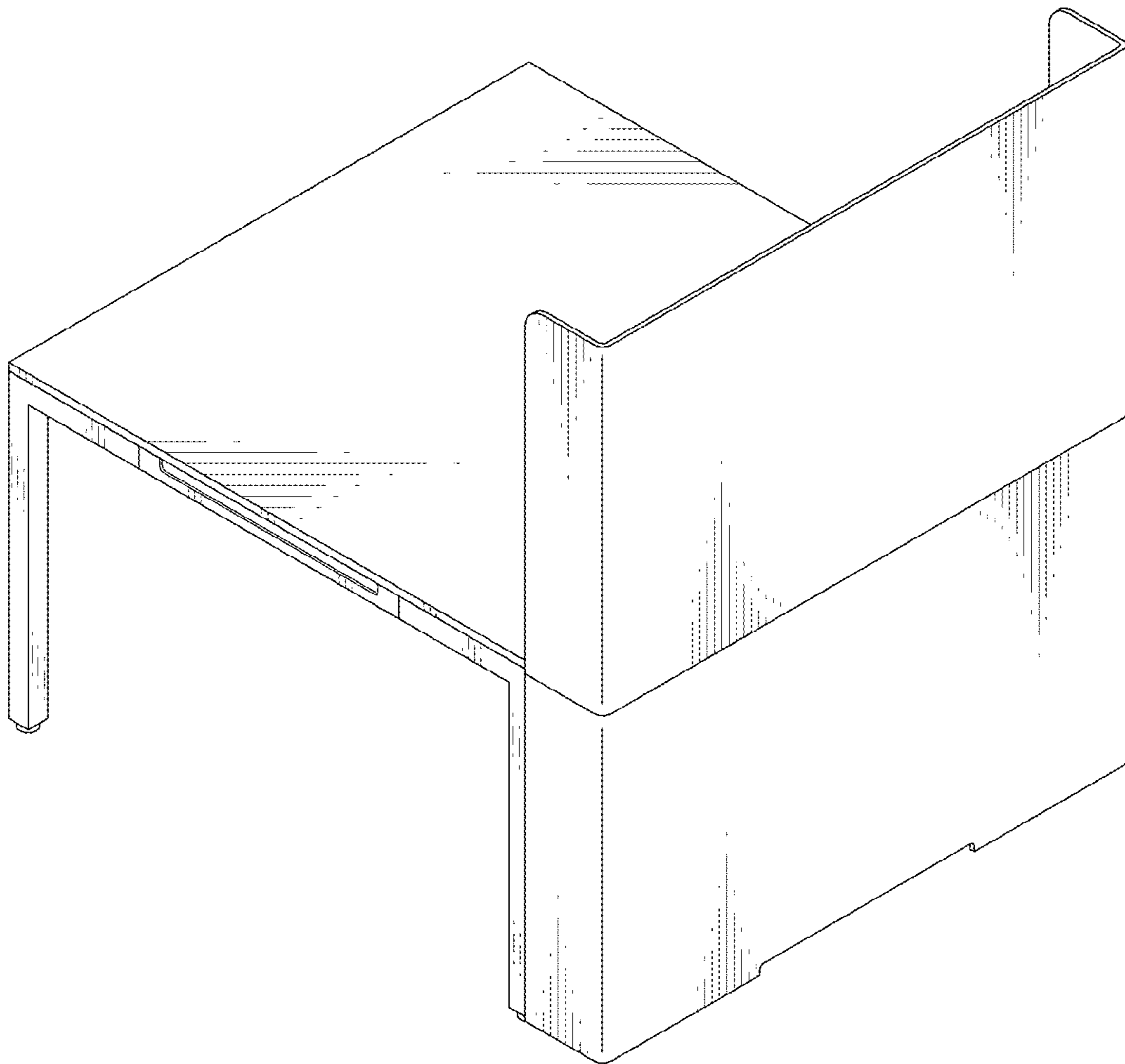


FIG. 3

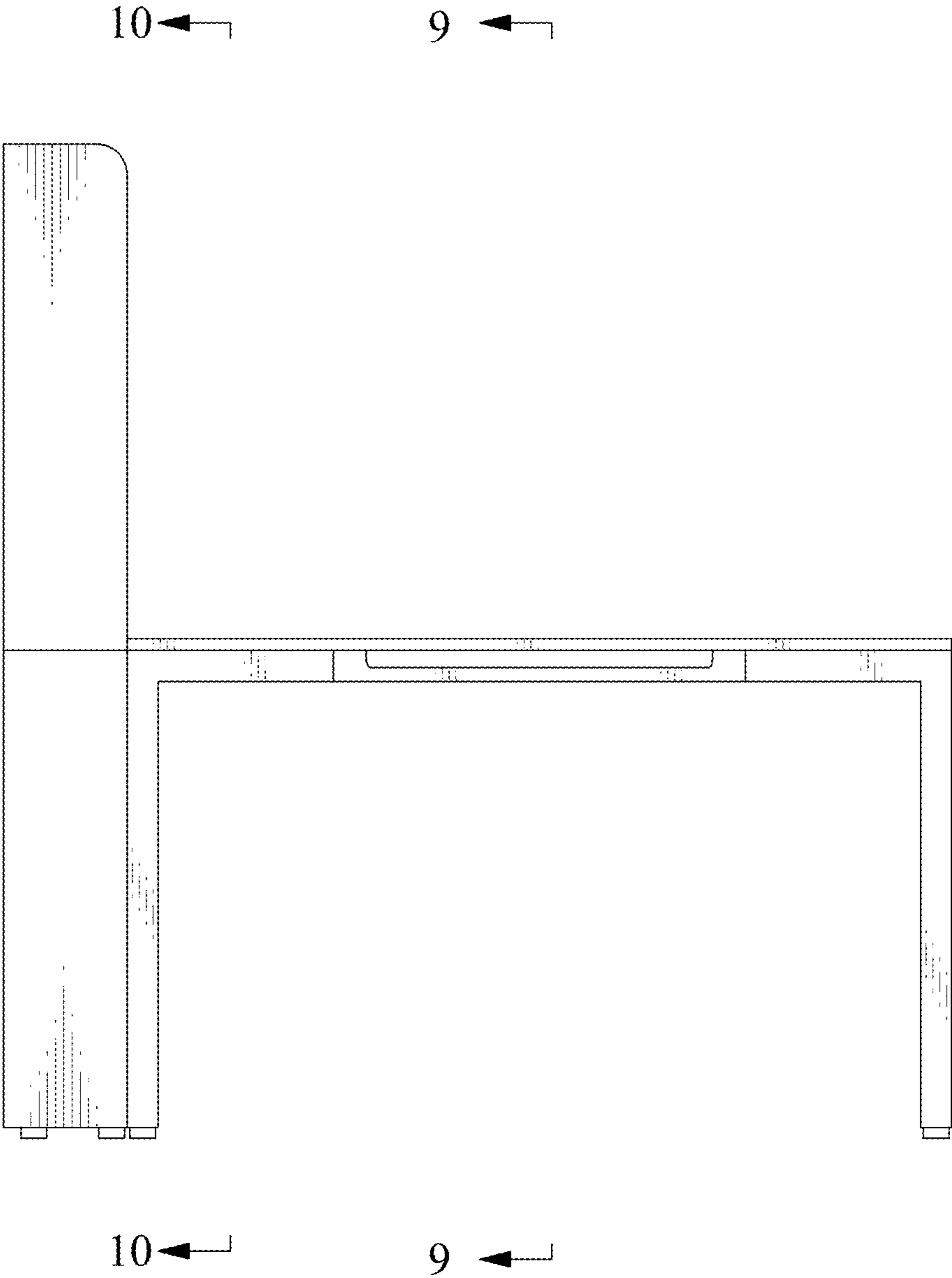


FIG. 4

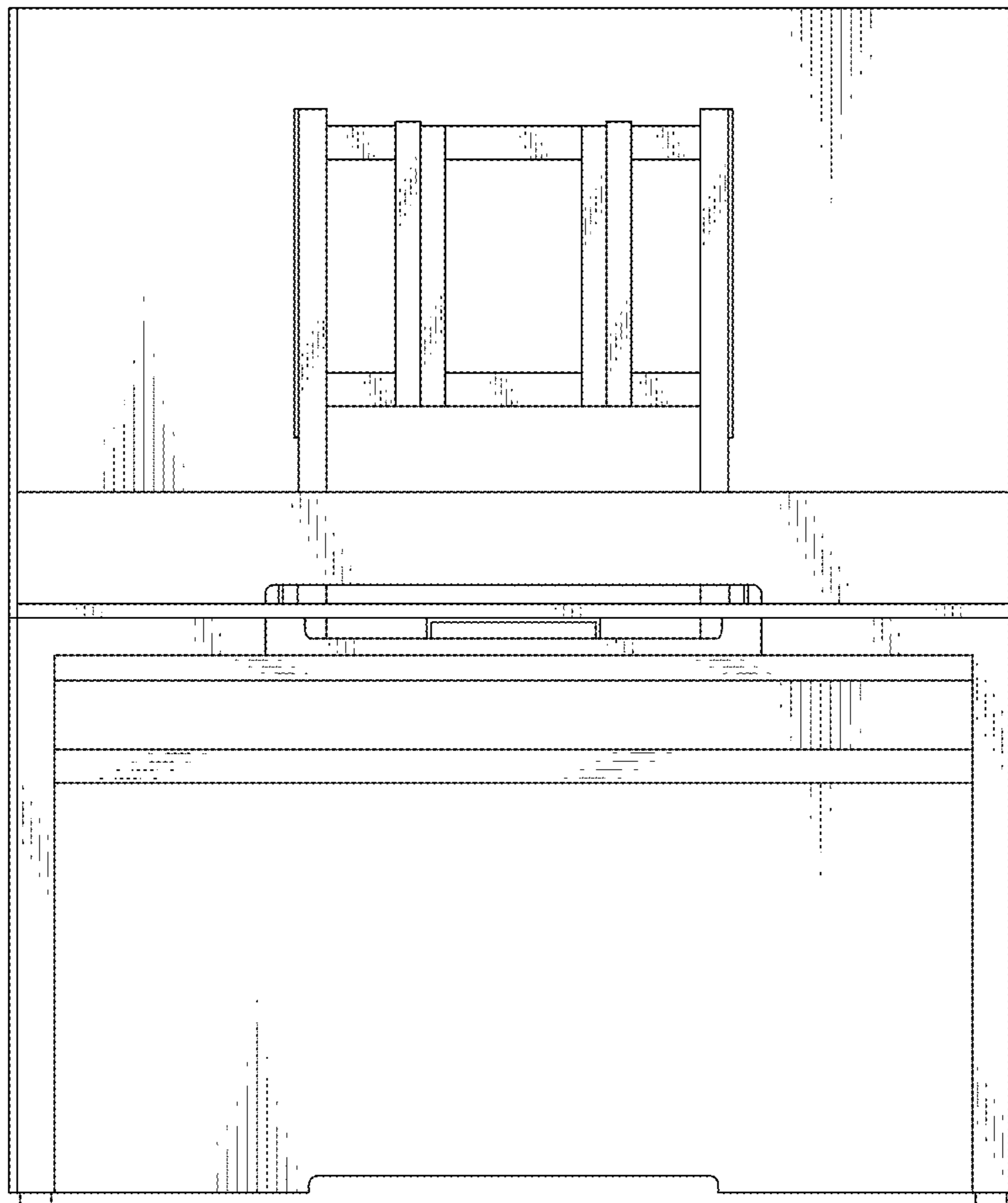


FIG. 5

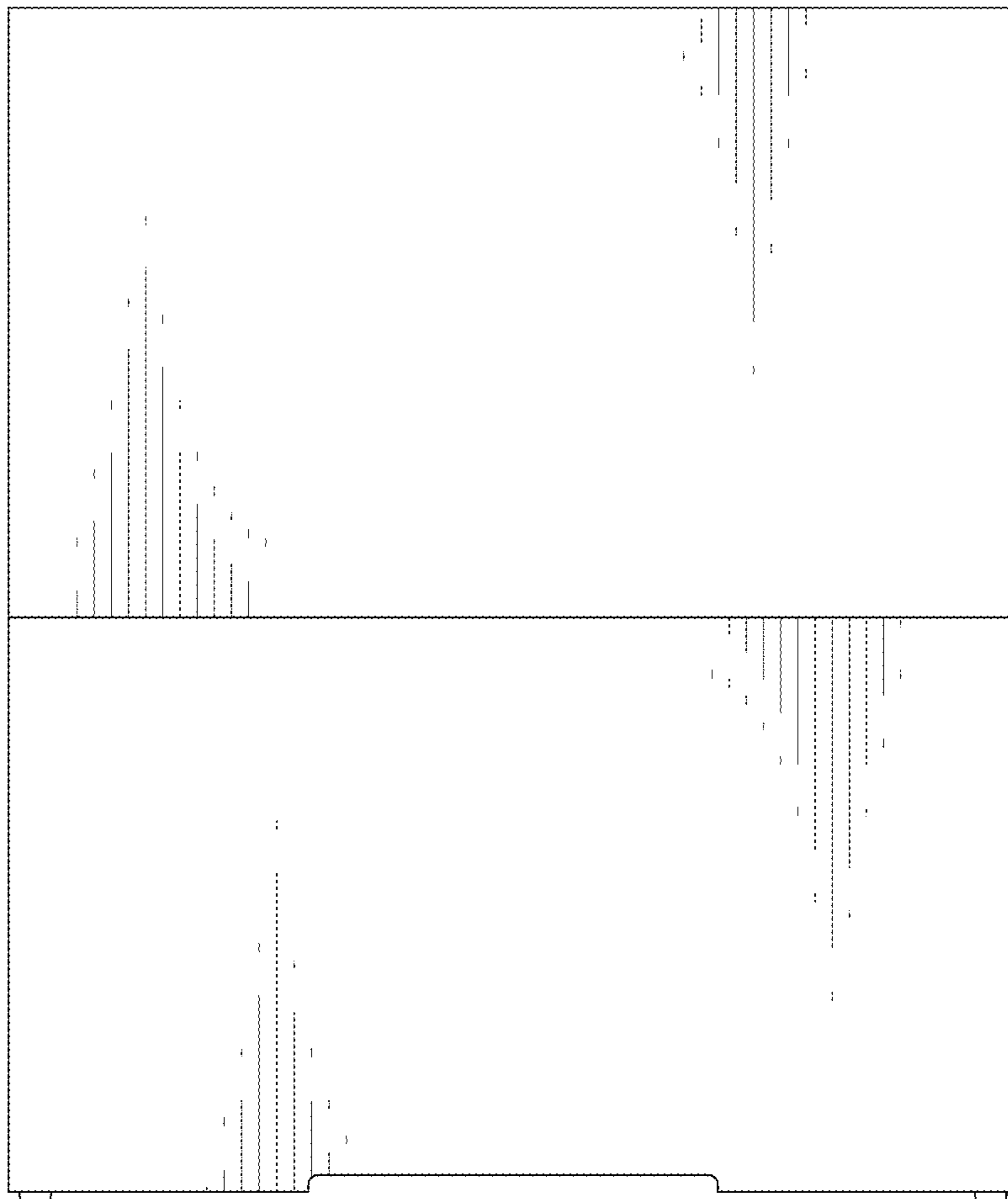


FIG. 6

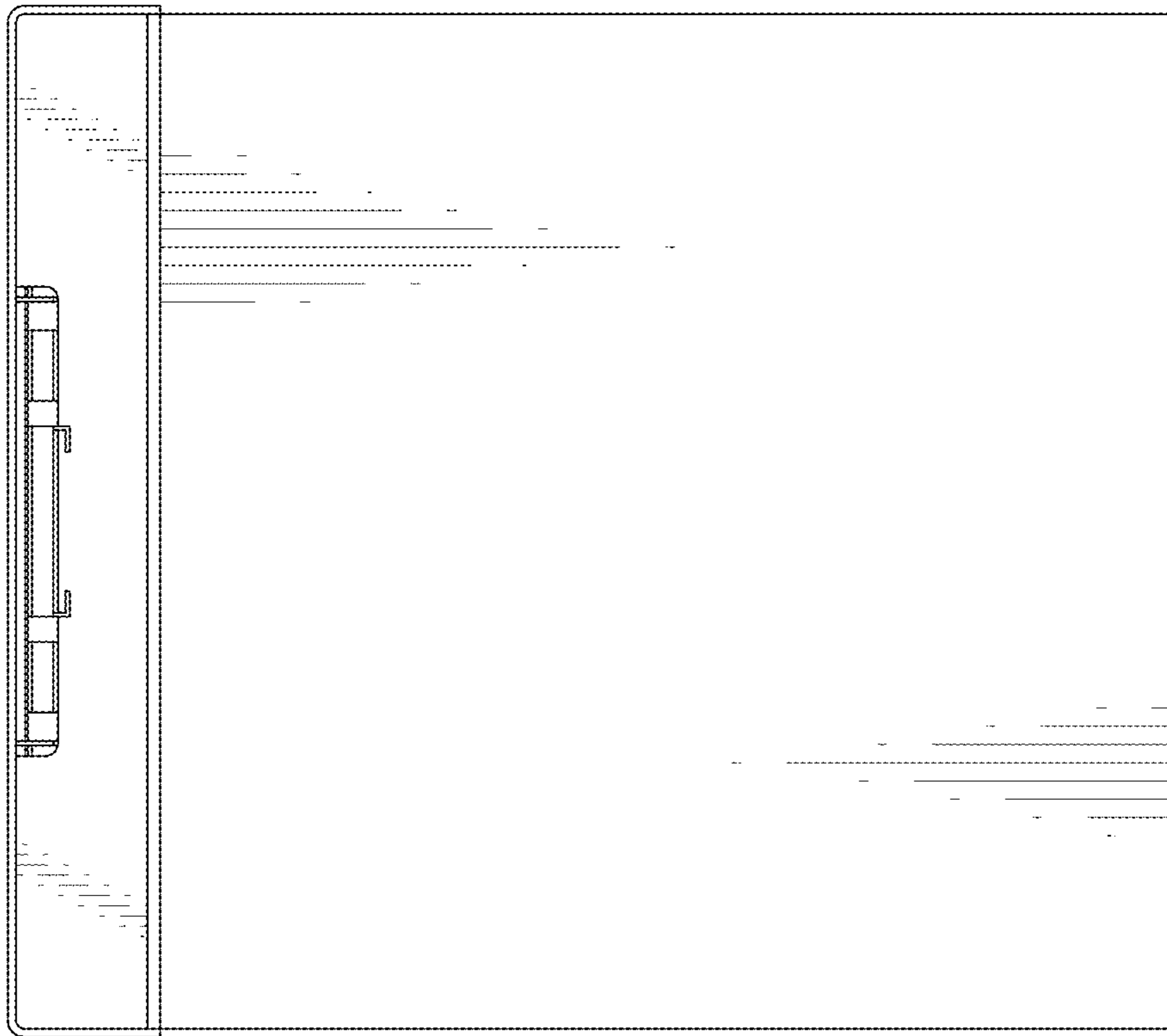


FIG. 7

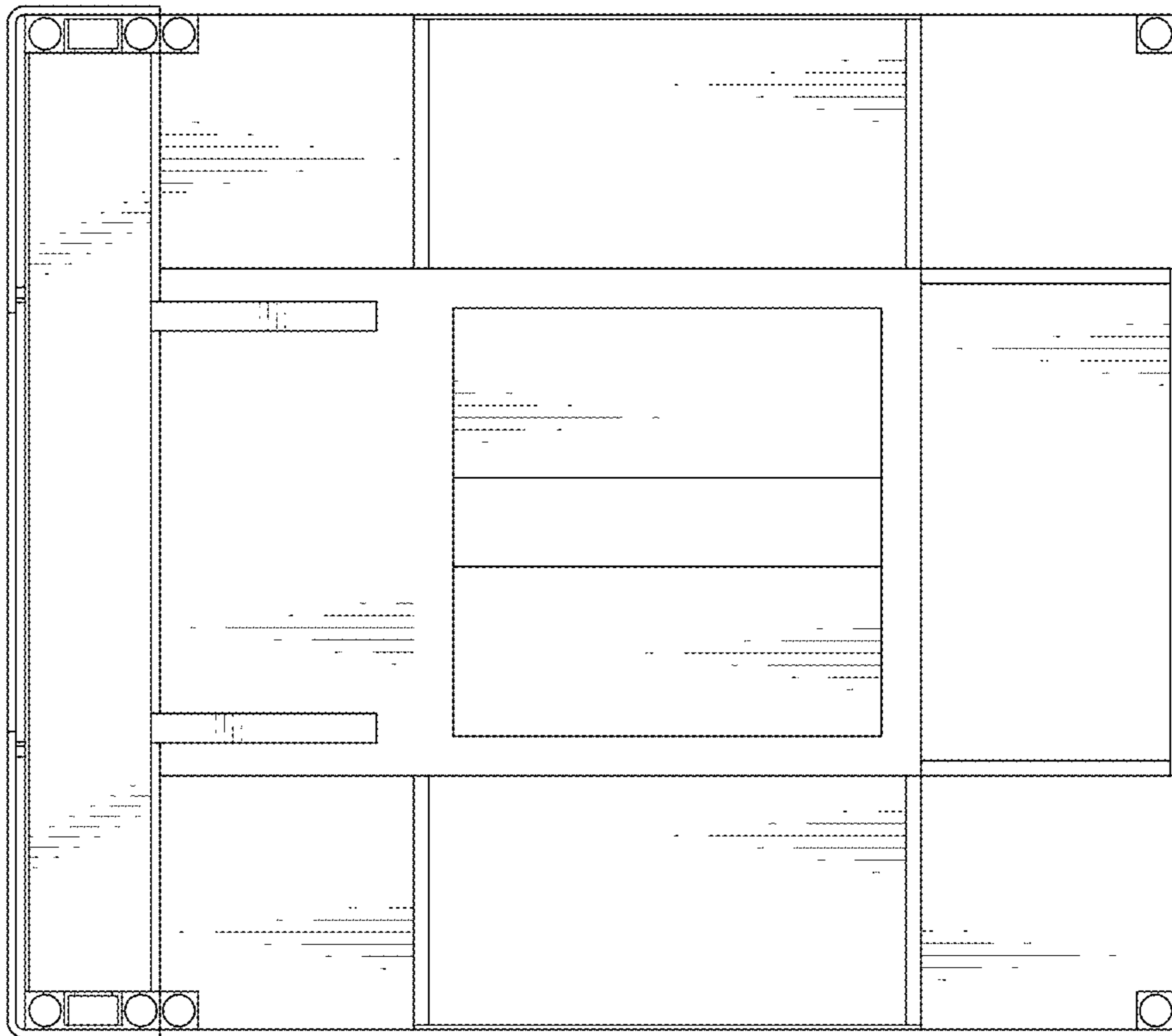


FIG. 8

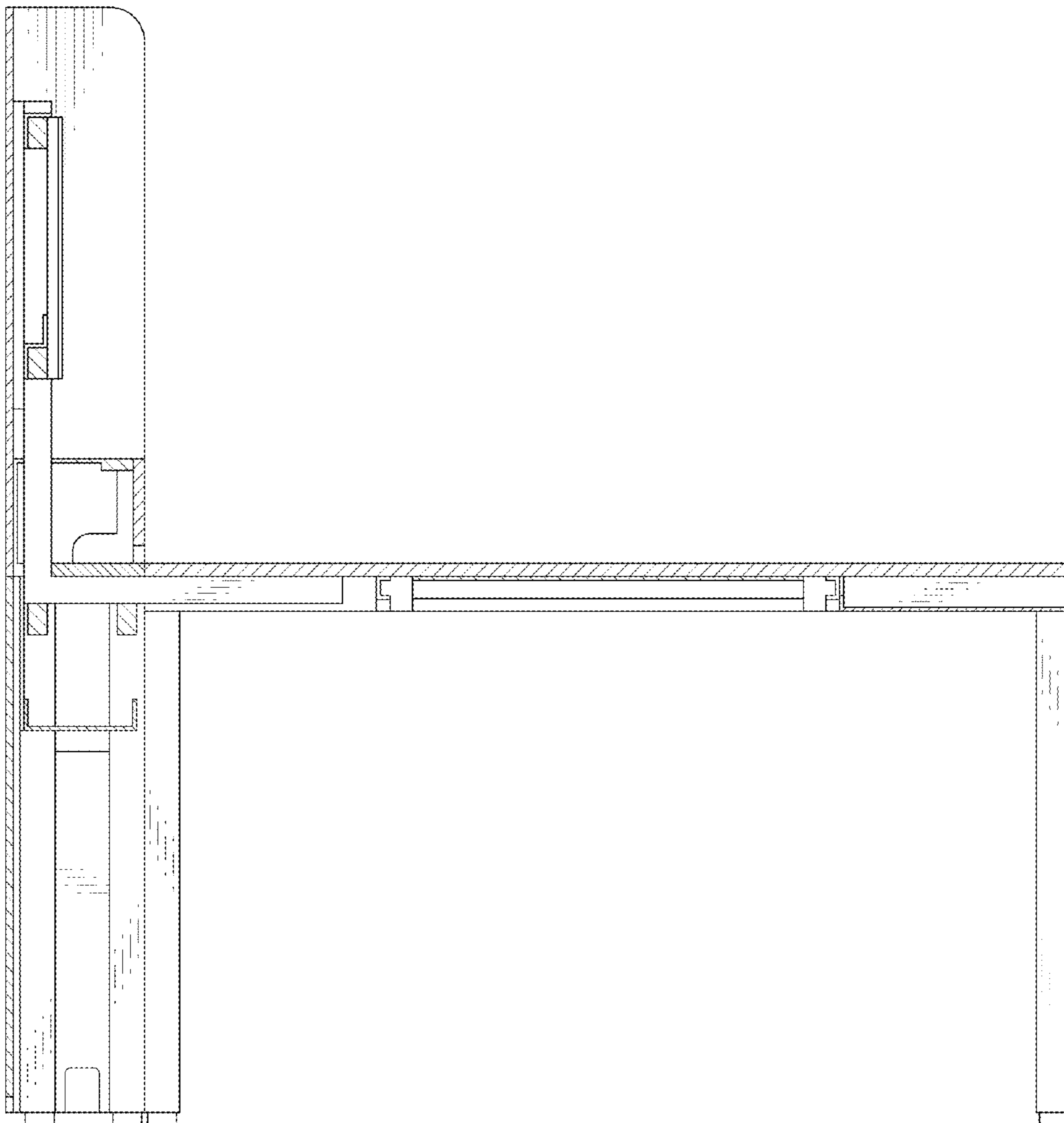


FIG. 9

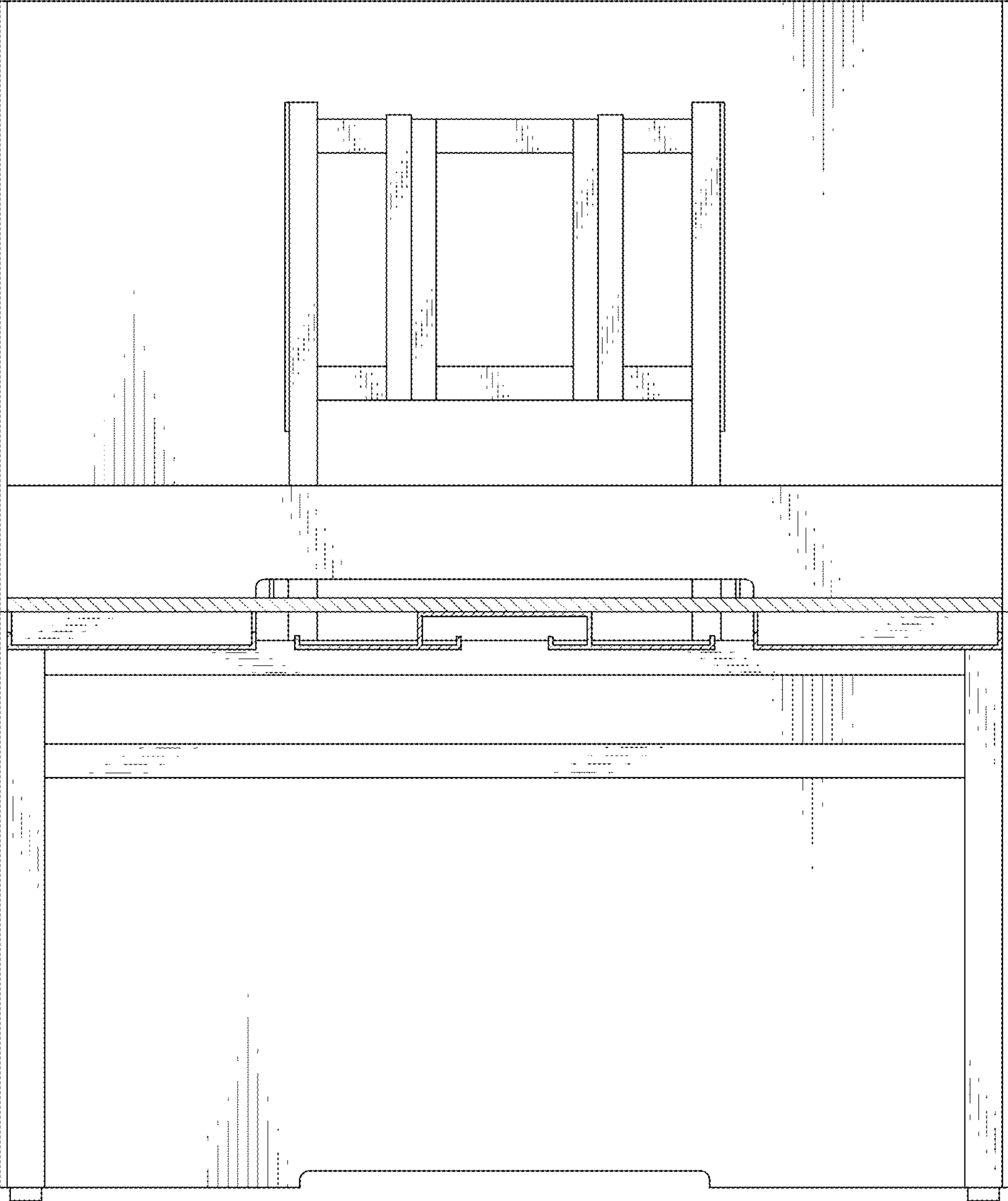


FIG. 10

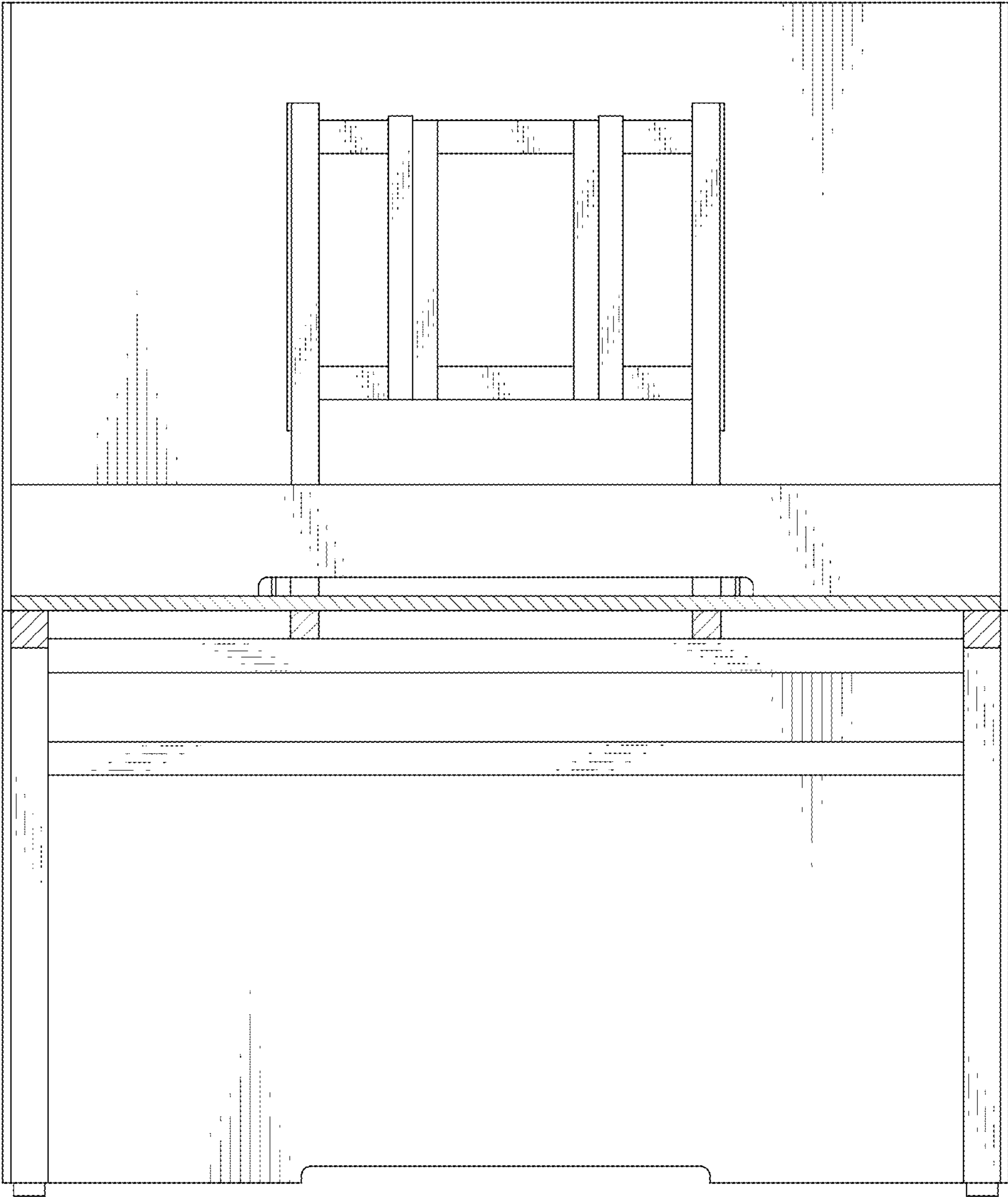


FIG. 11

