



US00D730080S

(12) **United States Design Patent**
Henn

(10) **Patent No.:** **US D730,080 S**

(45) **Date of Patent:** **** May 26, 2015**

(54) **EXPANDABLE SHELF ASSEMBLY**

(71) Applicant: **Michael Lowell Henn**, Allen, TX (US)

(72) Inventor: **Michael Lowell Henn**, Allen, TX (US)

(**) Term: **14 Years**

(21) Appl. No.: **29/470,845**

(22) Filed: **Oct. 25, 2013**

(51) **LOC (10) Cl.** **06-04**

(52) **U.S. Cl.**
USPC **D6/574**

(58) **Field of Classification Search**

USPC D6/552, 553, 567, 569, 572, 574;
211/13.1, 71.01, 74, 75, 126.1, 86.01,
211/87.01, 88.01, 90.01, 134; D19/74
See application file for complete search history.

(56) **References Cited**

U.S. PATENT DOCUMENTS

4,155,312	A *	5/1979	Thorkildson	D6/574
D275,918	S *	10/1984	Taylor	D6/510
D398,470	S *	9/1998	St-Pierre et al.	D6/574
D547,570	S *	7/2007	Belokin et al.	D6/510
D550,482	S *	9/2007	Belokin et al.	D6/510
D640,489	S *	6/2011	Tuholski	D6/574

* cited by examiner

Primary Examiner — Brian N Vinson

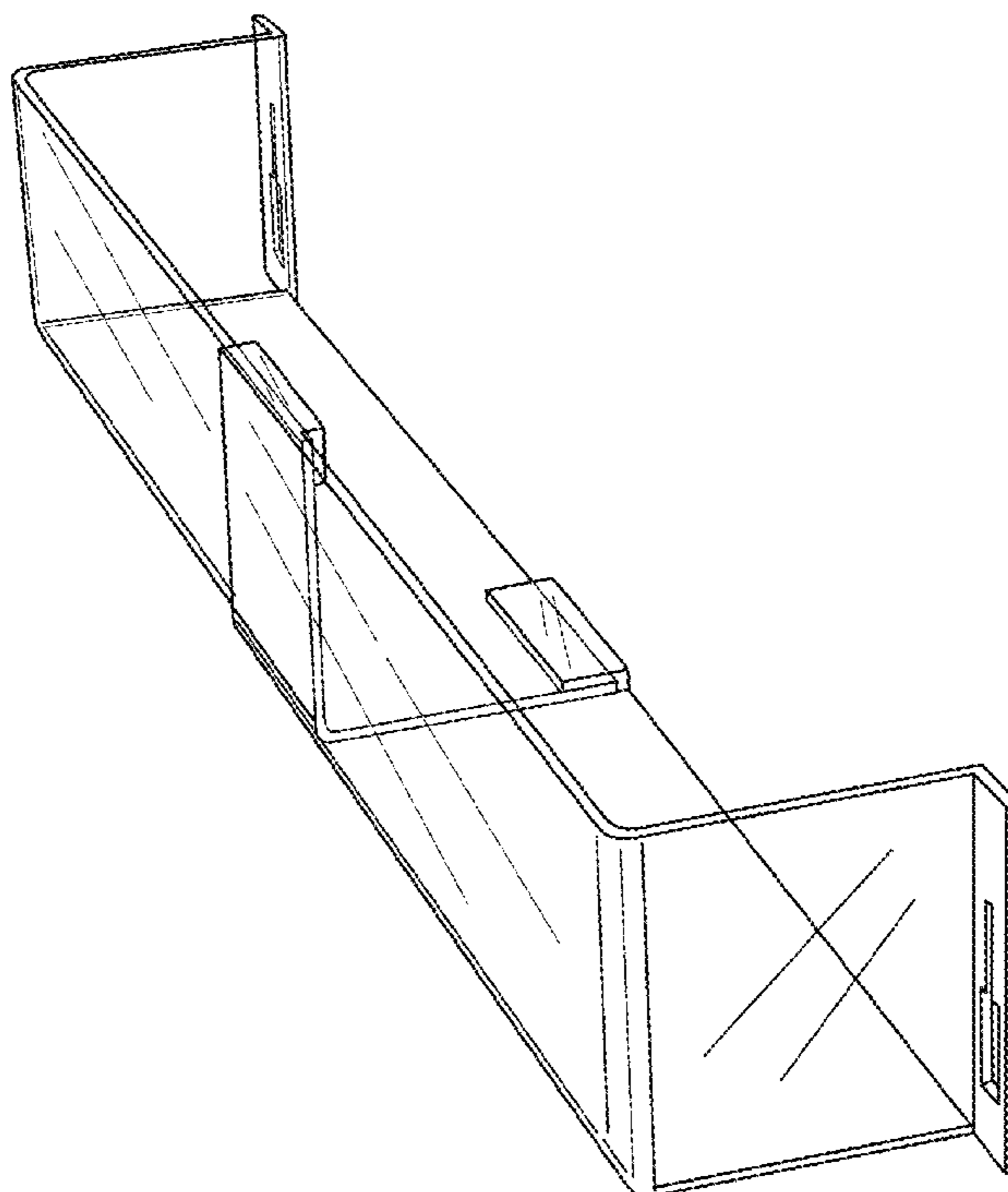
(57) **CLAIM**

I claim the ornamental design for the expandable shelf assembly, as shown and described.

DESCRIPTION

FIG. 1 is a frontward and down perspective view of my expandable shelf assembly;
 FIG. 2 is a rearward perspective view thereof;
 FIG. 3 is a rearward perspective view of a first part thereof with tabs;
 FIG. 4 is a rearward perspective view of a second part thereof which is sized and shaped to slide within tabs shown in (FIG. 3);
 FIG. 5 is a front plan view of the first part thereof;
 FIG. 6 is a rear plan view of the first part thereof;
 FIG. 7 is a front plan view of the second part thereof;
 FIG. 8 is a rear plan view of the second part thereof;
 FIG. 9 is a bottom plan view of the first part thereof;
 FIG. 10 is a top plan view of the first part thereof;
 FIG. 11 is a bottom plan view of the second part thereof;
 FIG. 12 is a top plan view of the second part thereof;
 FIG. 13 is a front perspective view thereof in an environmental setting; and,
 FIG. 14 is a front perspective view thereof in which the length of the shelf is reduced by sliding the first part and second parts together.
 FIGS. 1 and 2 are same scale perspective views. FIGS. 3 and 4 are same scale perspective views. FIGS. 5-12 are same scale plan views. FIGS. 13 and 14 are reduced scale views that depict the expandable shelf in an environmental setting. The jars and the screw fasteners shown in FIGS. 13 and 14 in dashed line are for purposes of environmental illustration and form no part of the claimed design.

1 Claim, 9 Drawing Sheets



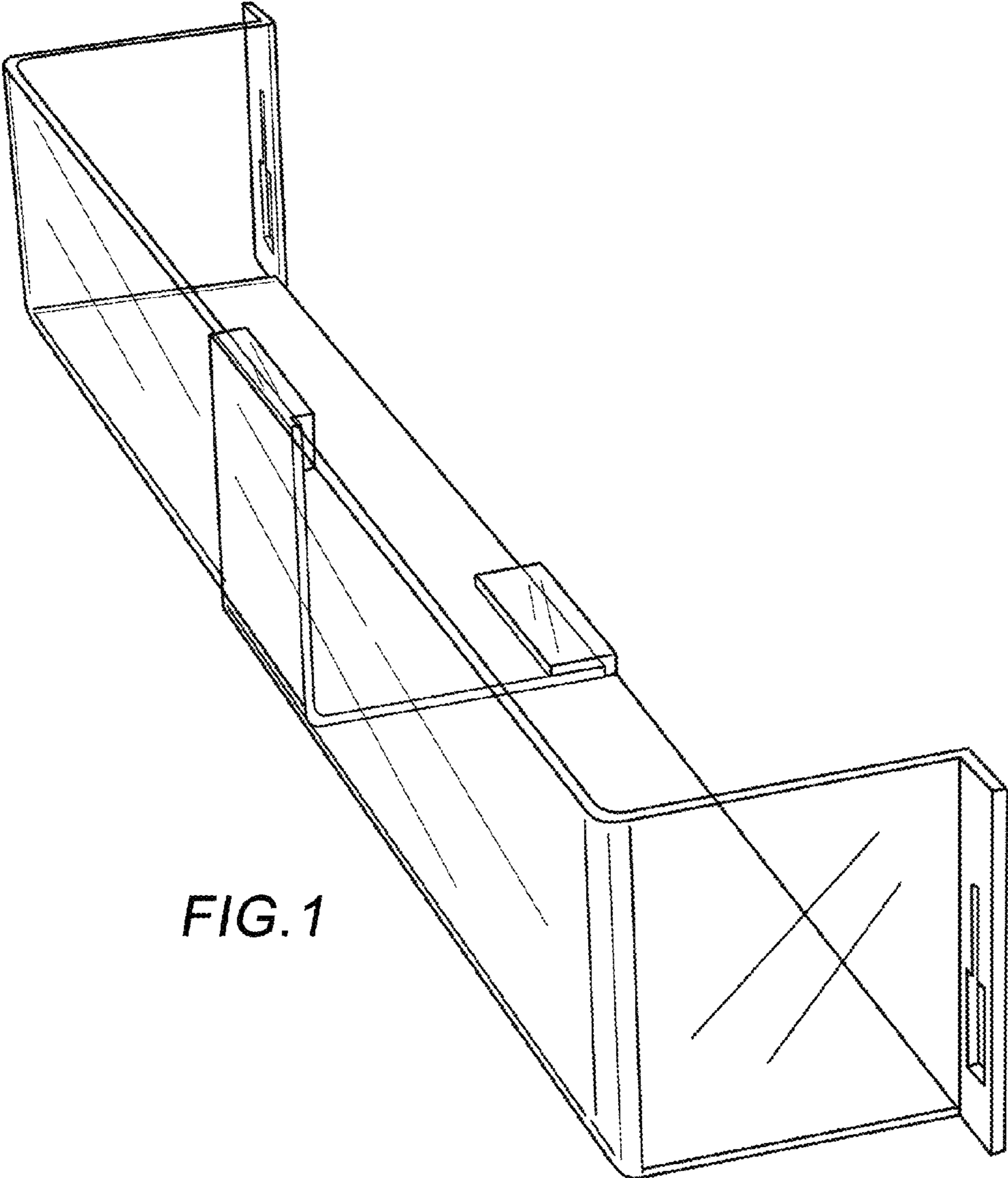


FIG. 1

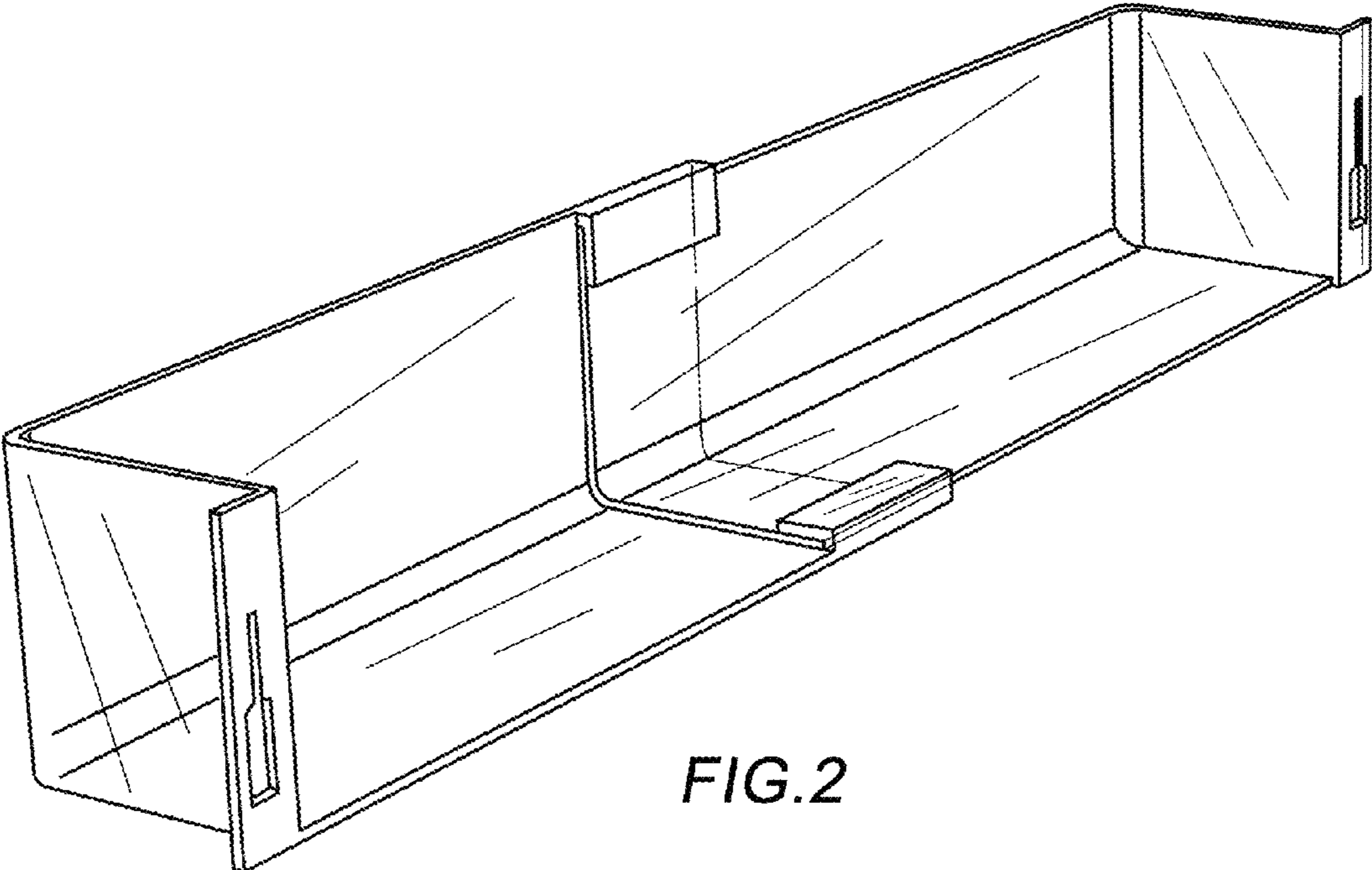
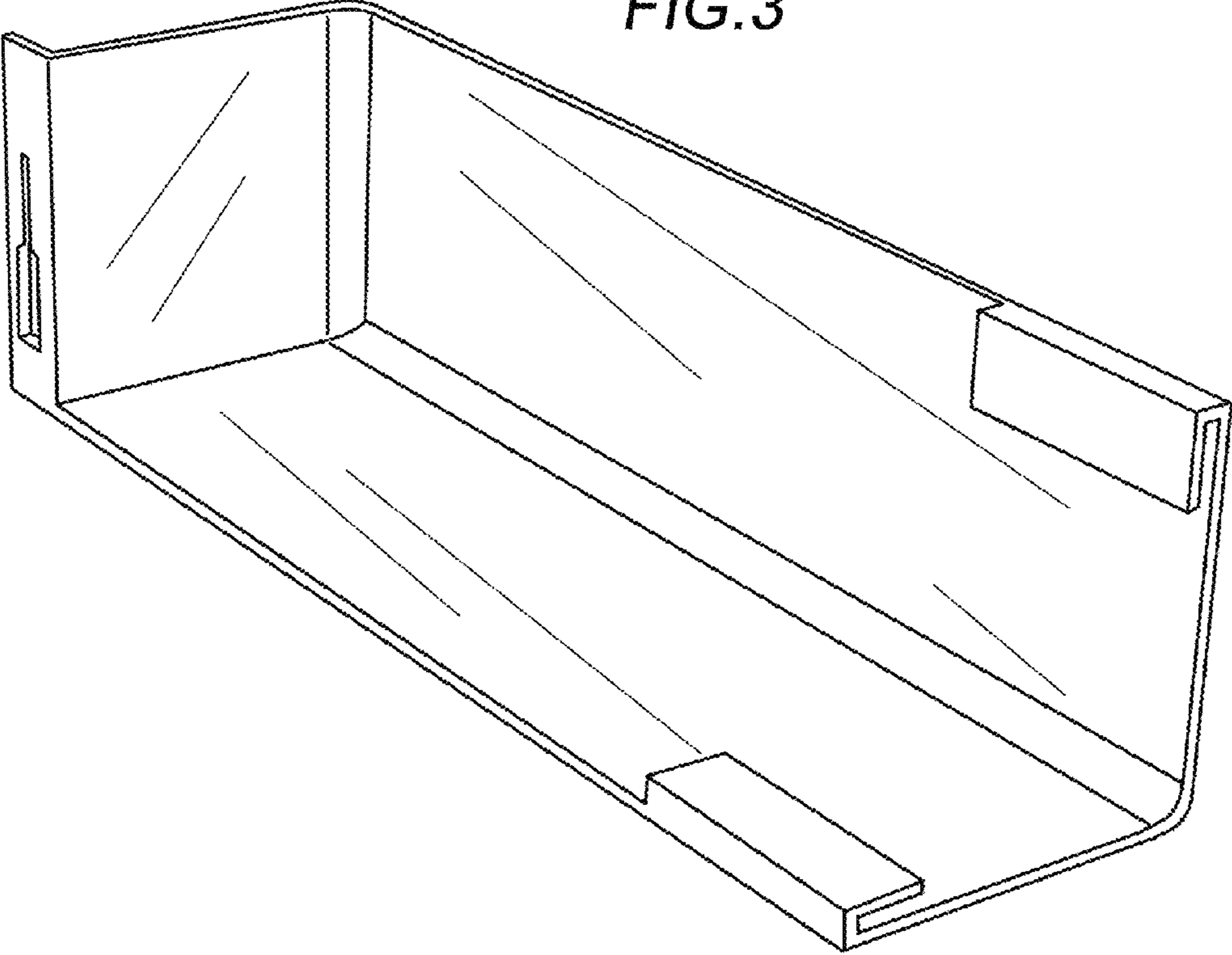


FIG.2

FIG.3



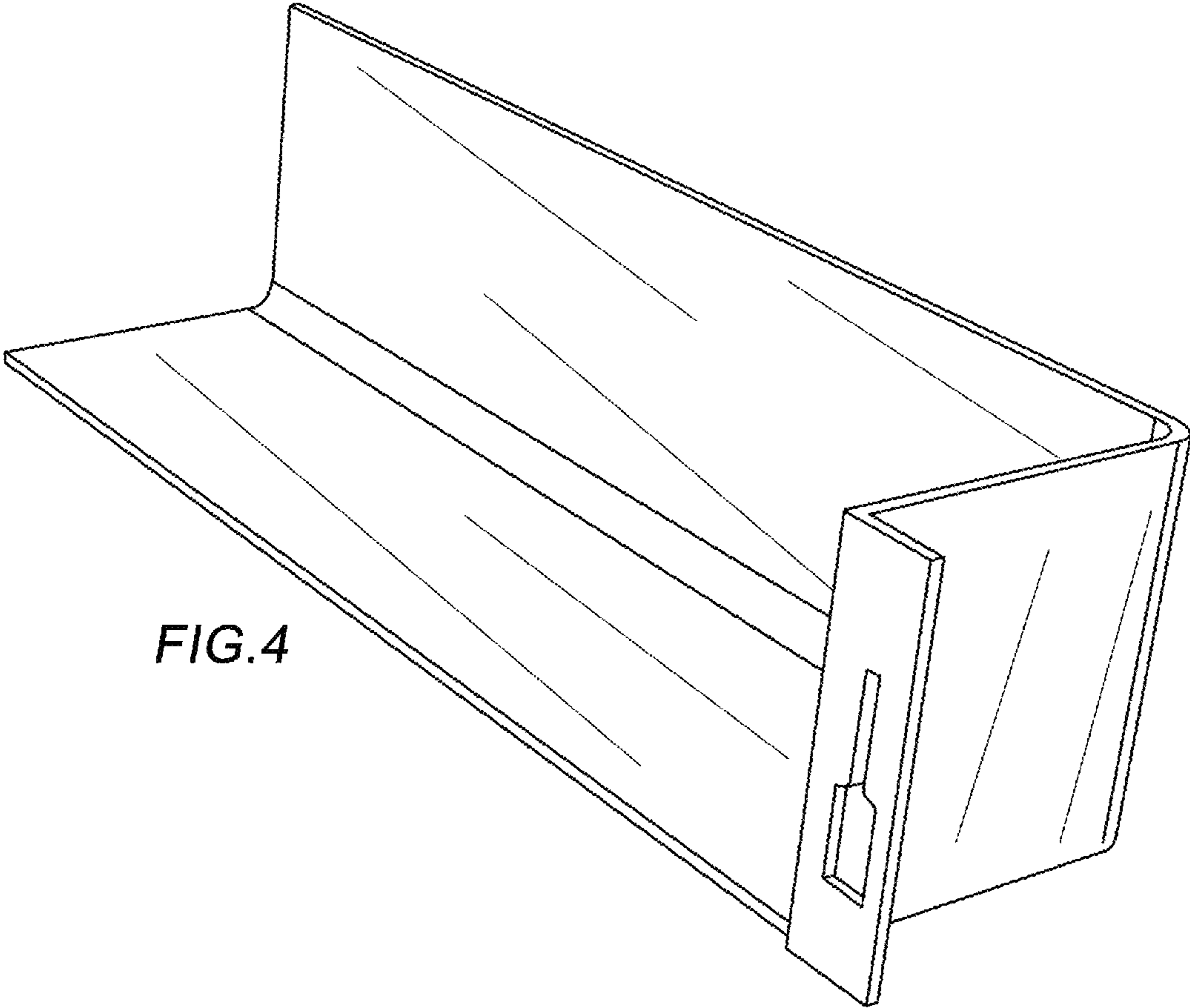


FIG. 4

FIG.5

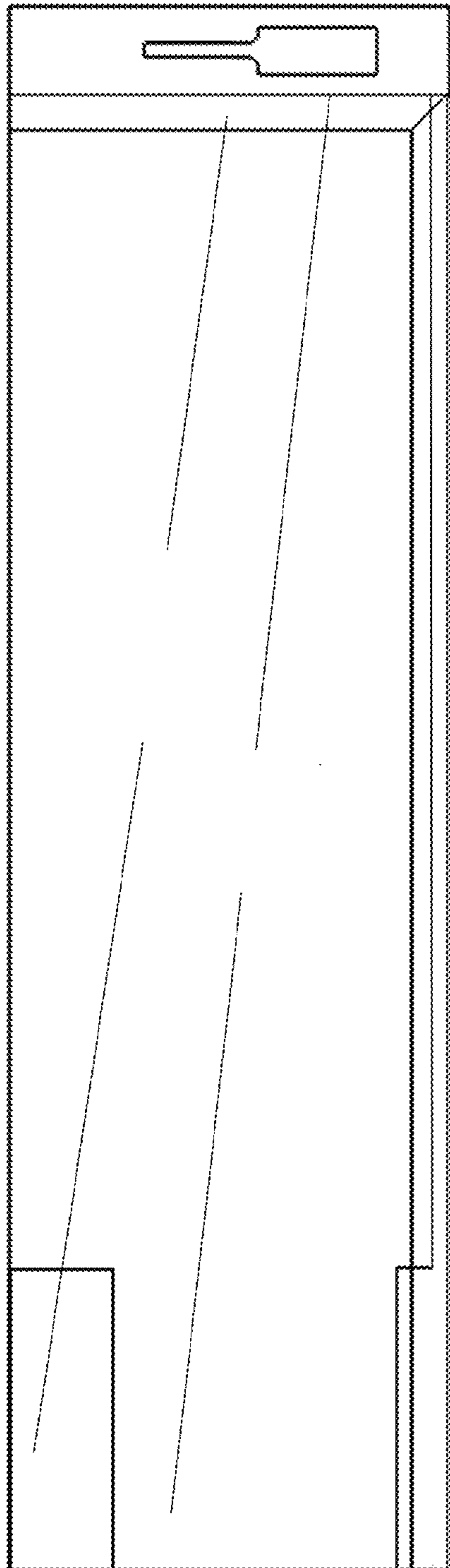


FIG.6

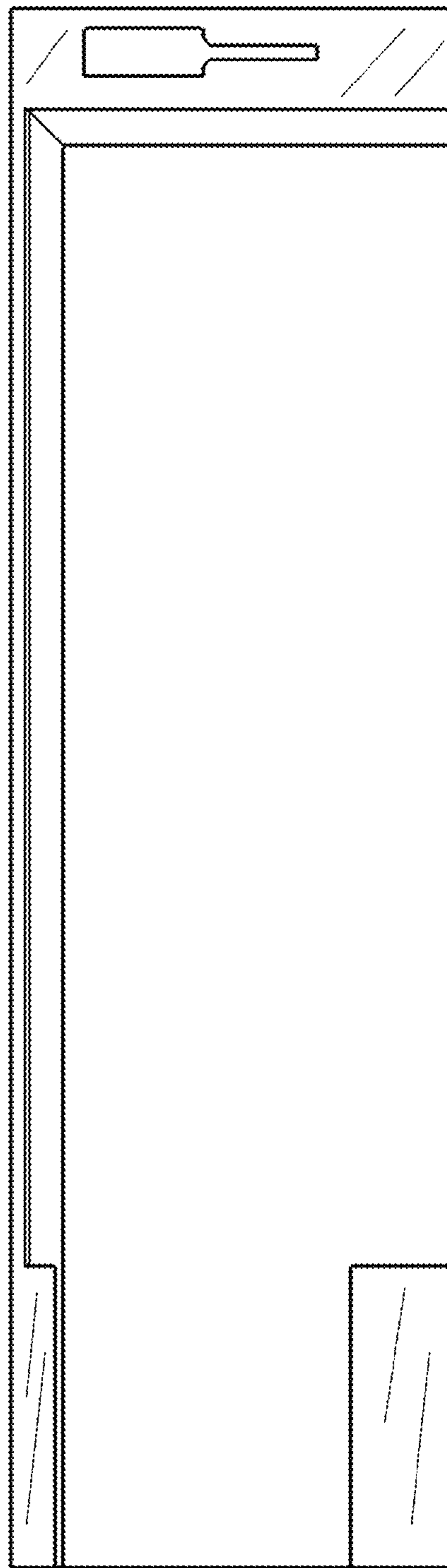


FIG. 7

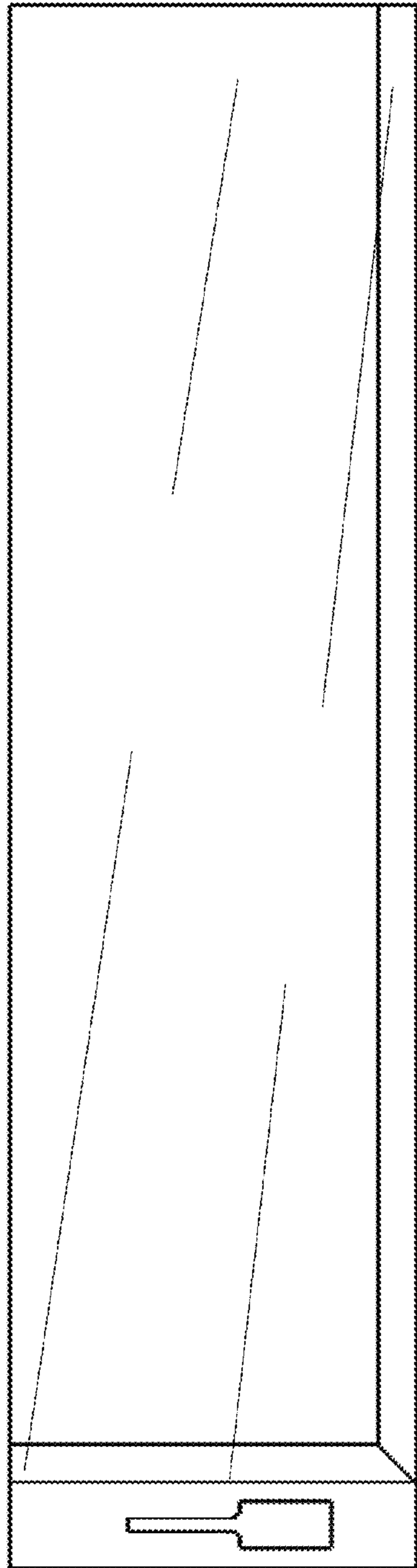


FIG. 8

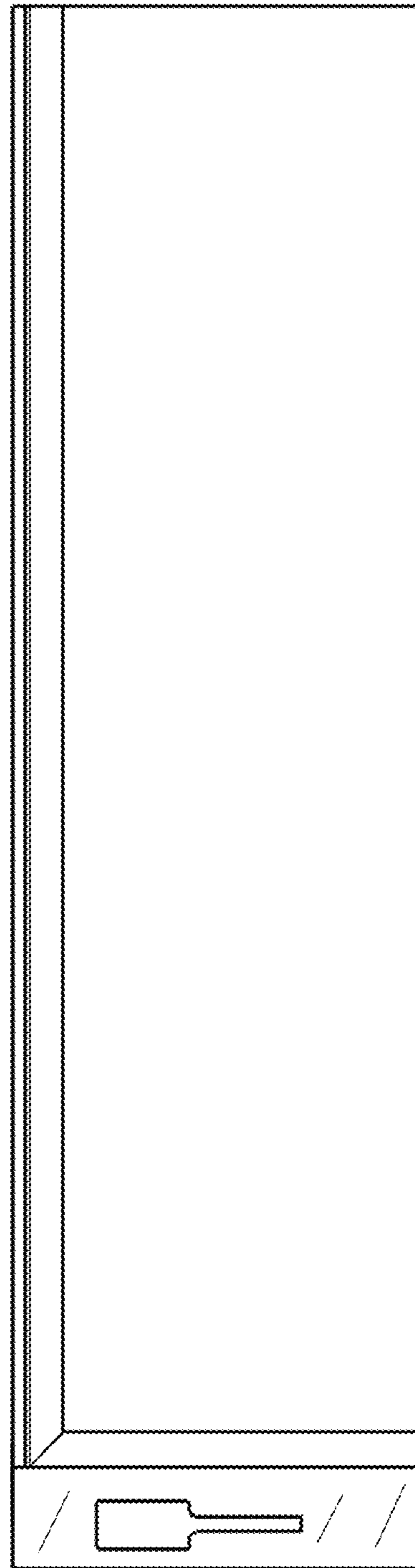


FIG. 9

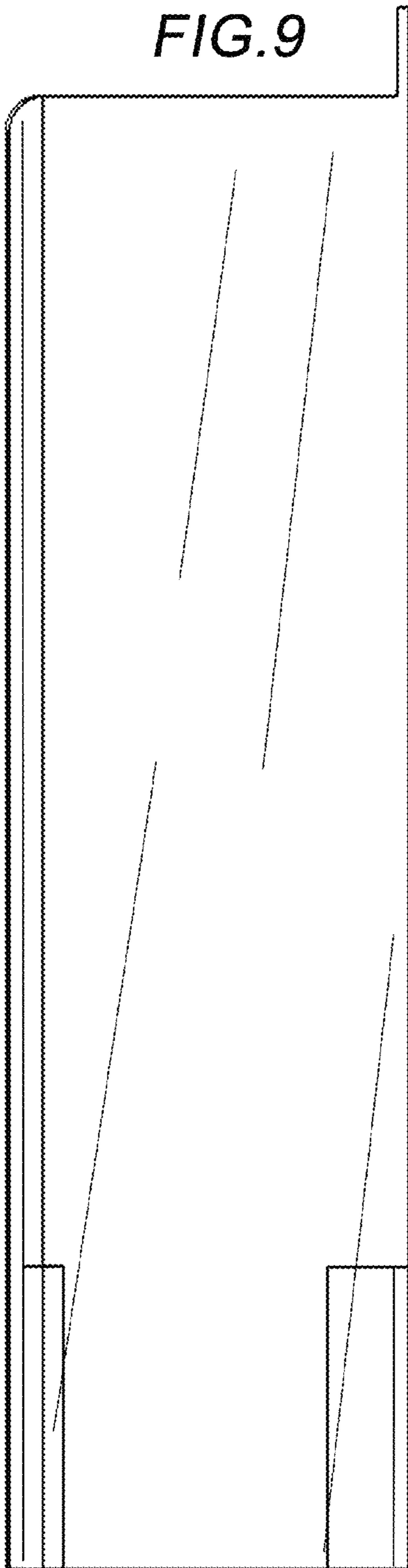


FIG. 10

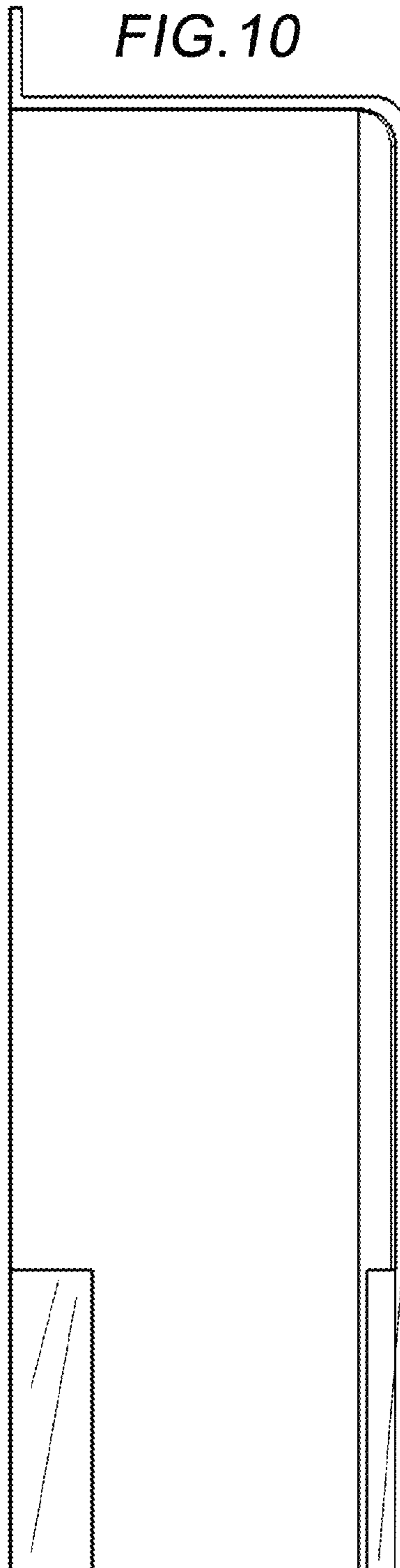


FIG. 11

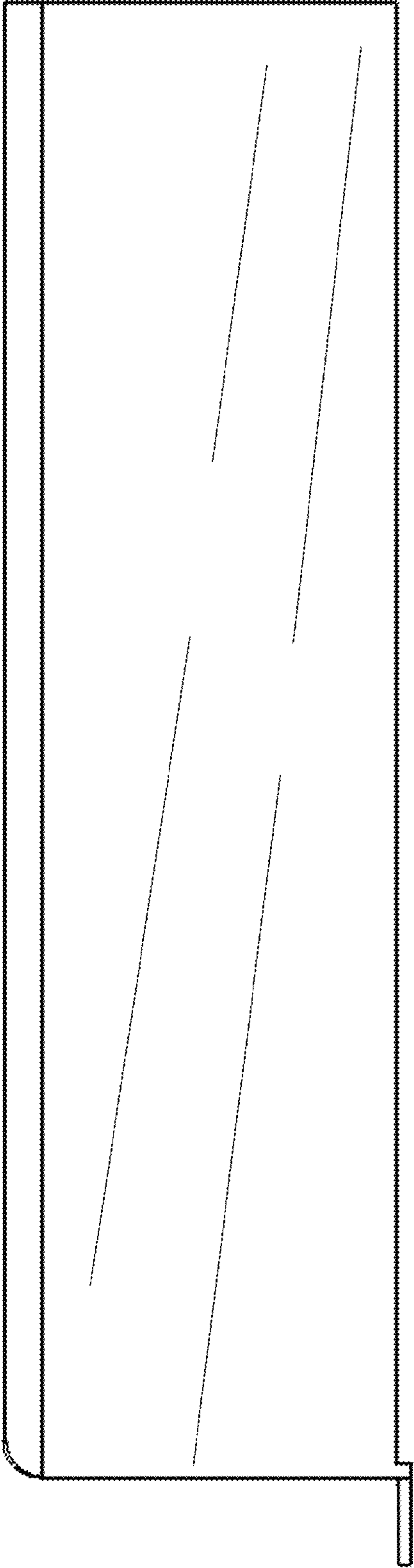


FIG. 12

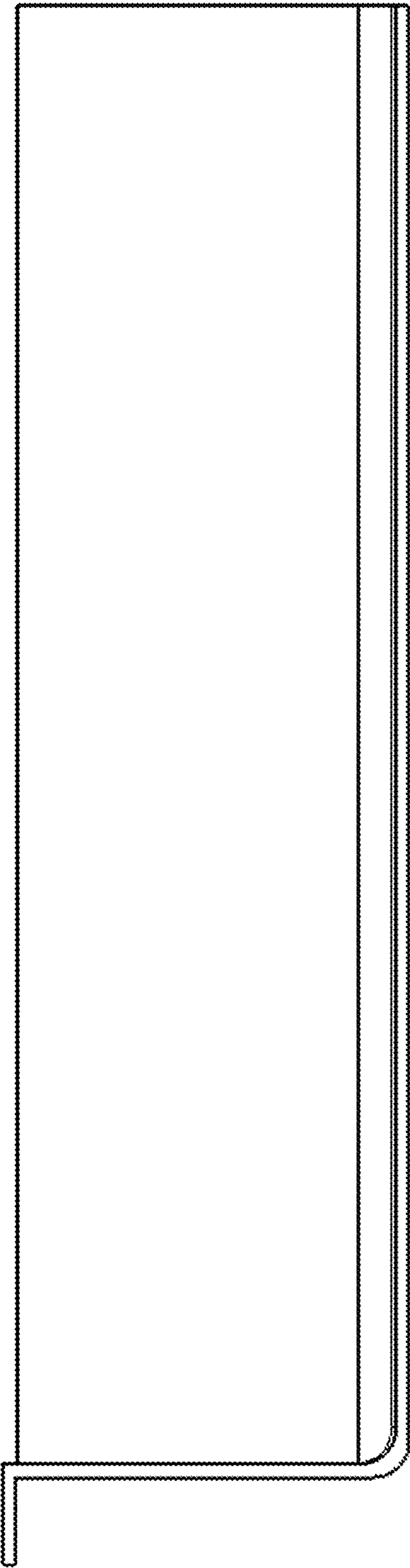


FIG. 13

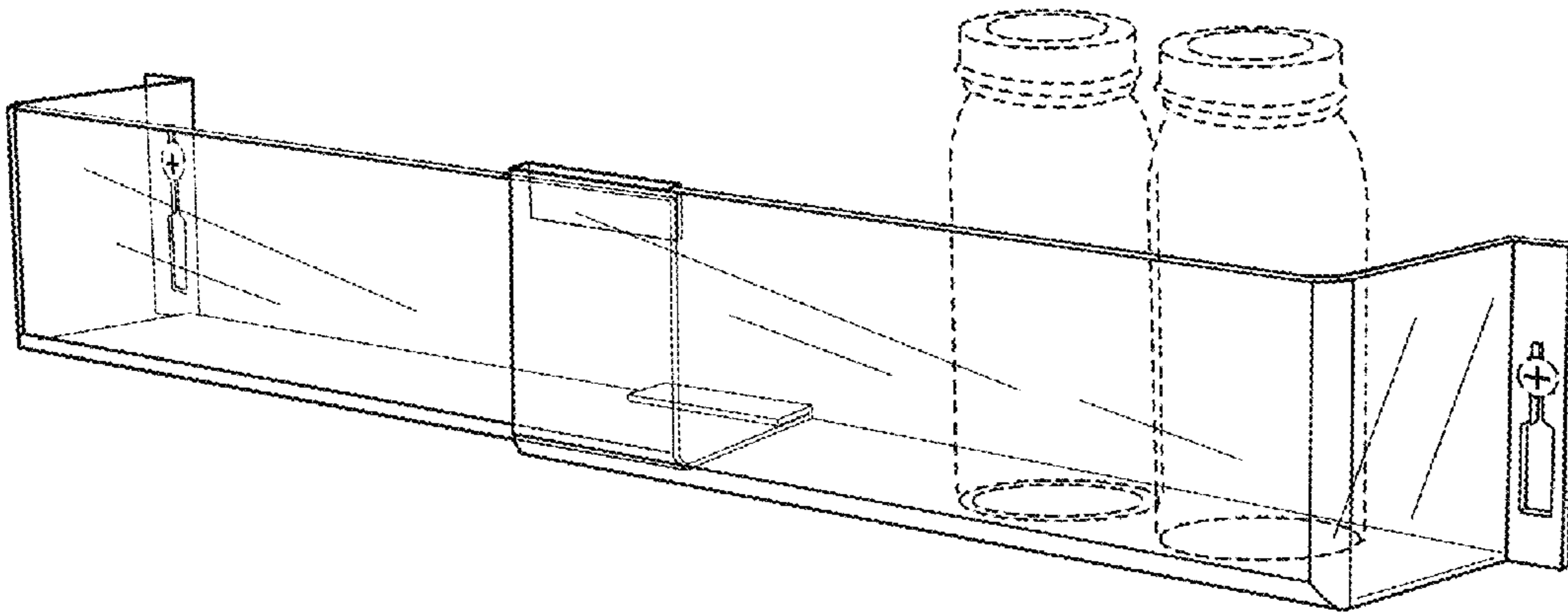


FIG. 14

