



US00D730079S

(12) **United States Design Patent**  
**Lee et al.**

(10) **Patent No.:** **US D730,079 S**

(45) **Date of Patent:** **\*\* May 26, 2015**

(54) **TRAY FOR GREEN WALL**

47/44-47, 65, 65.5, 65.9, 66.1, 66.6, 66.7,  
47/67-71

(71) Applicant: **Elmich Pte Ltd**, Singapore (SG)

See application file for complete search history.

(72) Inventors: **Alan Sian Ghee Lee**, Singapore (SG);  
**Henry Greaves**, Watsons Bay (AU)

(56) **References Cited**

(73) Assignee: **ELMICH PTE LTD.**, Singapore (SG)

U.S. PATENT DOCUMENTS

(\*\*) Term: **14 Years**

2,633,278	A	*	3/1953	Muniz	.....	224/411
D297,601	S	*	9/1988	Grossman et al.	.....	D6/556
D371,089	S	*	6/1996	Yeung	.....	D11/152
D681,381	S	*	5/2013	Ratzmann	.....	D6/556
D691,390	S	*	10/2013	Cunningham et al.	.....	D6/556

(21) Appl. No.: **29/458,340**

\* cited by examiner

(22) Filed: **Jun. 18, 2013**

*Primary Examiner* — Brian N Vinson

(30) **Foreign Application Priority Data**

Dec. 24, 2012 (AU) ..... 16583/2012

(51) **LOC (10) Cl.** ..... **06-04**

(52) **U.S. Cl.**  
USPC ..... **D6/556**

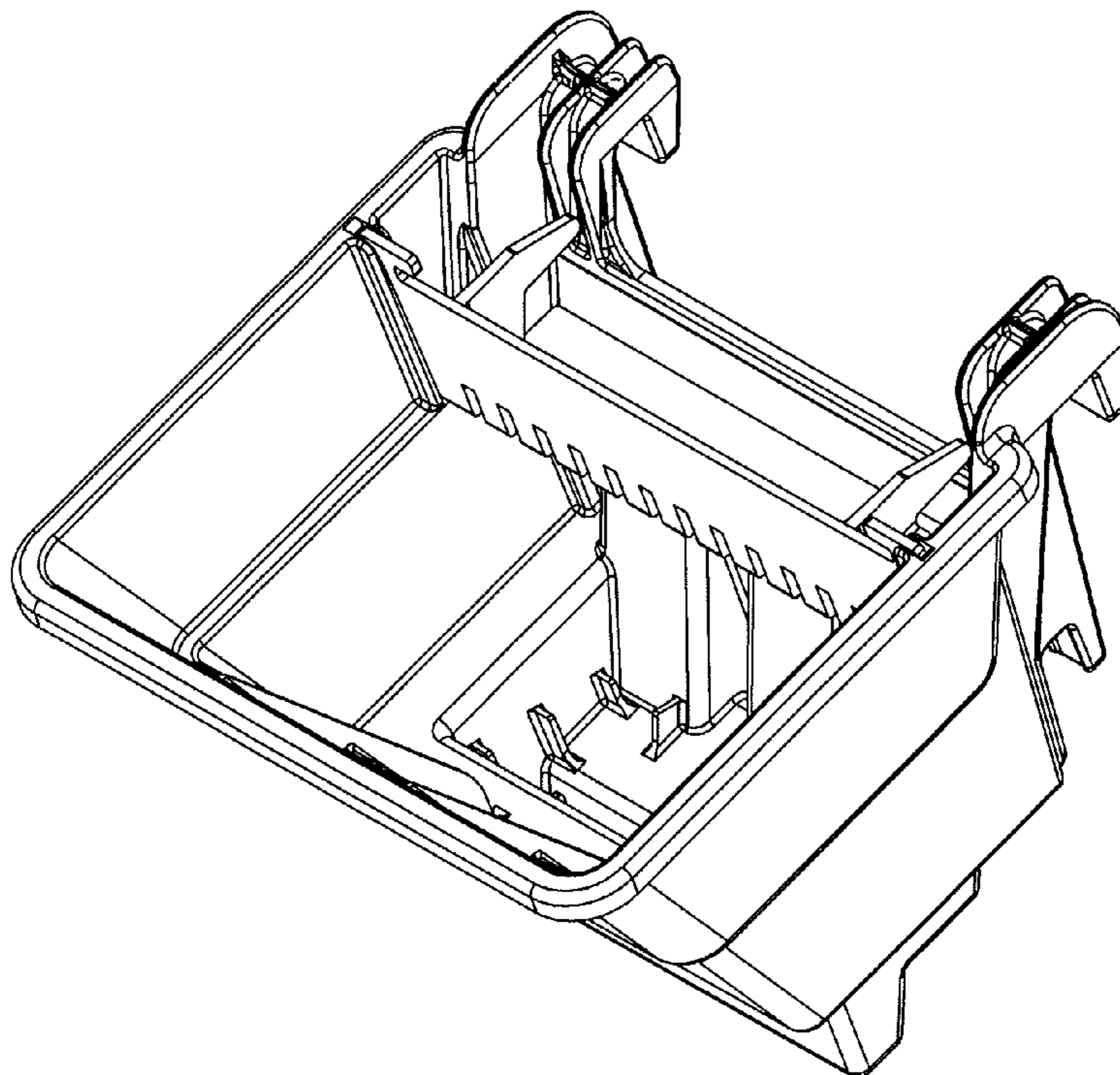
(58) **Field of Classification Search**  
CPC ..... B62B 2202/023; B62B 3/1472  
USPC ..... D6/403-405, 556-558; D8/1;  
D11/143-156, 164; D19/77, 80, 81,  
D19/84; D25/100; D26/9-11, 16, 19;  
D34/1, 2, 4-6; D99/5, 19; 47/17, 32.4,  
47/32.5, 33, 39, 41.01, 41.1, 41.11-41.15,

(57) **CLAIM**  
The ornamental design for the tray for green wall, as shown and described.

**DESCRIPTION**

FIG. 1 is a rear view of a tray for a green wall;  
FIG. 2 is an underneath plan view of the tray for a green wall;  
FIG. 3 is a front view of the tray for a green wall;  
FIG. 4 is a left side view of the tray for a green wall;  
FIG. 5 is a right side view of the tray for a green wall;  
FIG. 6 is a top isometric view of the tray for a green wall; and,  
FIG. 7 is a top view of the tray for a green wall.

**1 Claim, 7 Drawing Sheets**



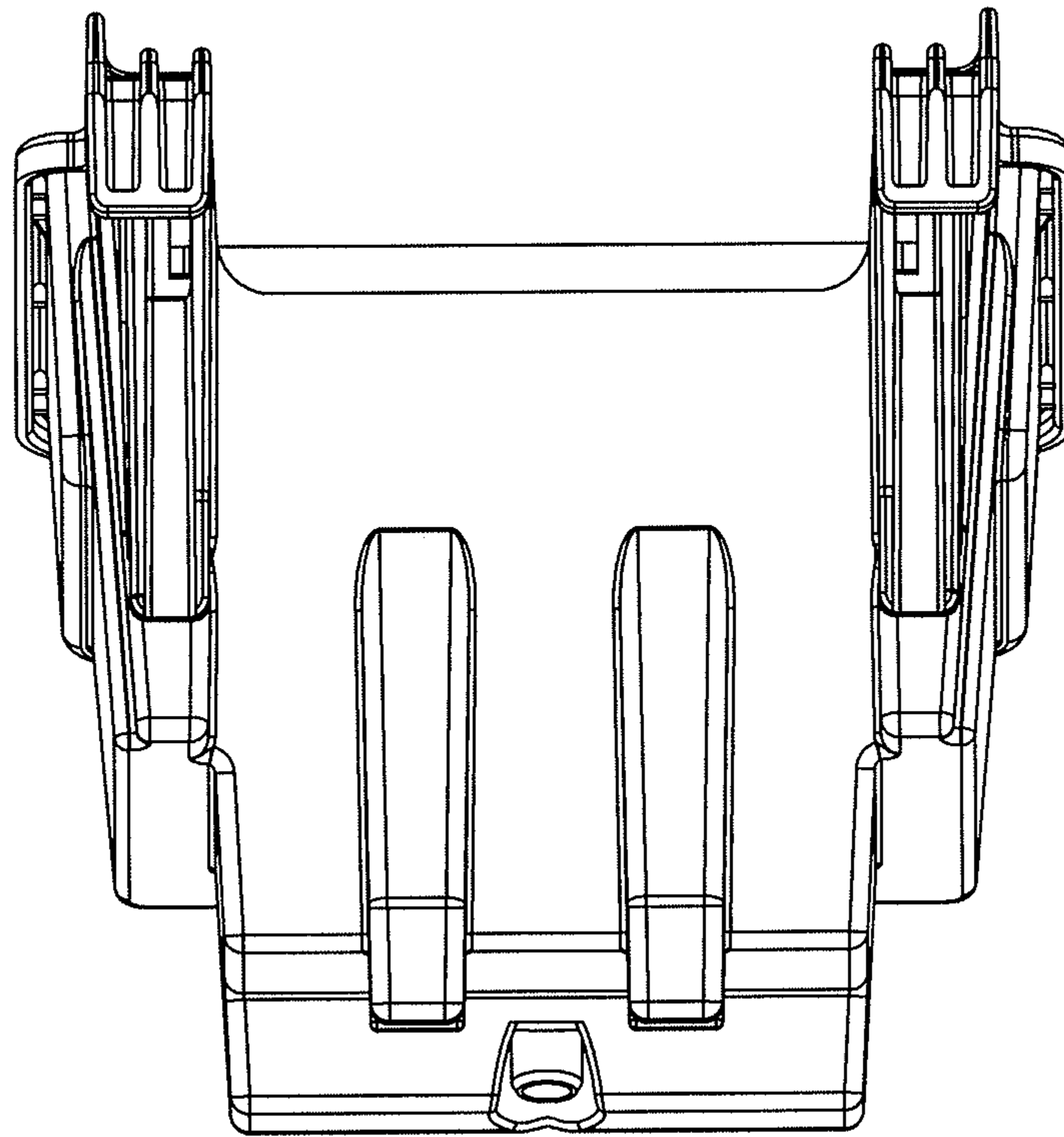


Figure 1

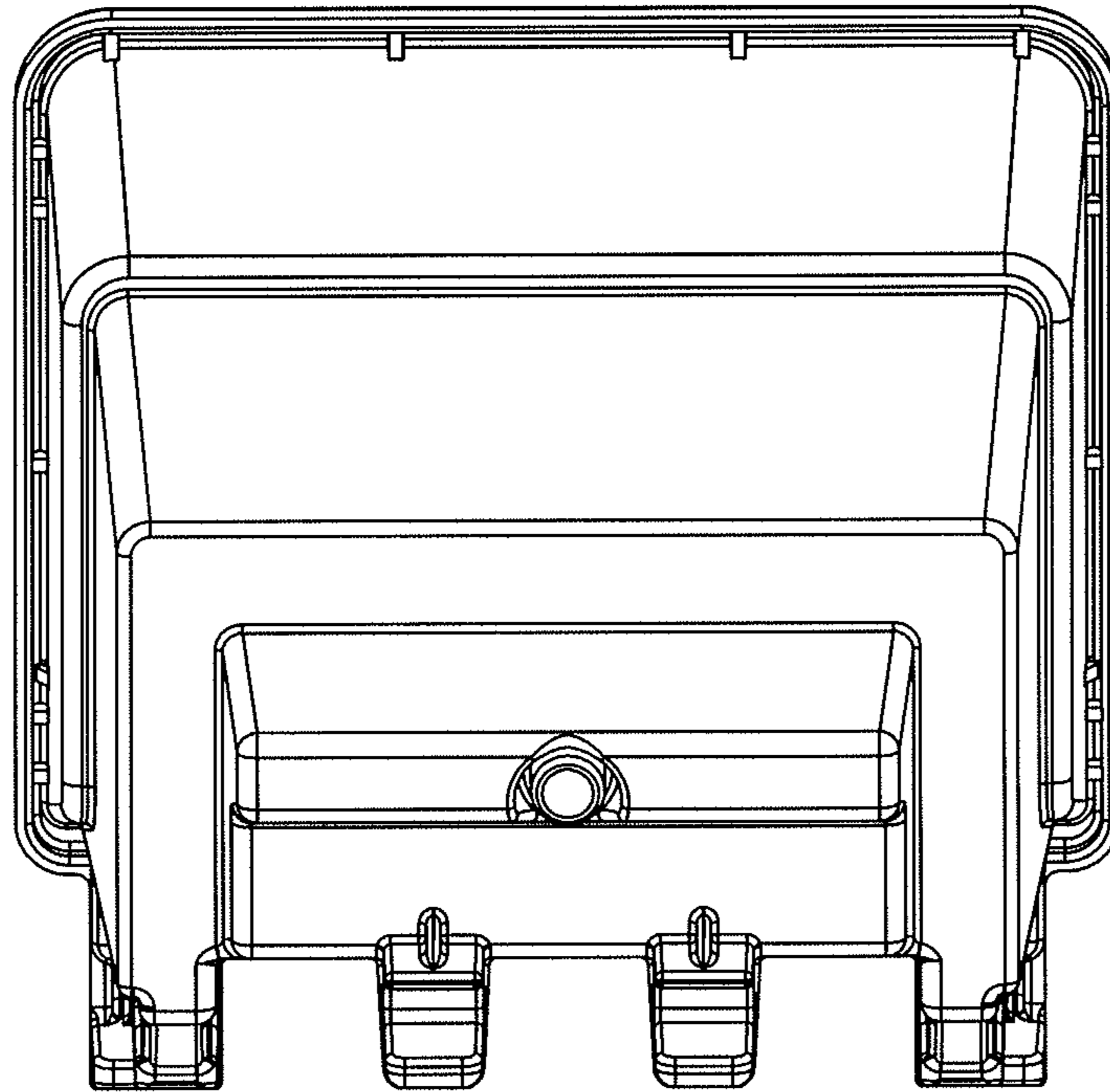


Figure 2

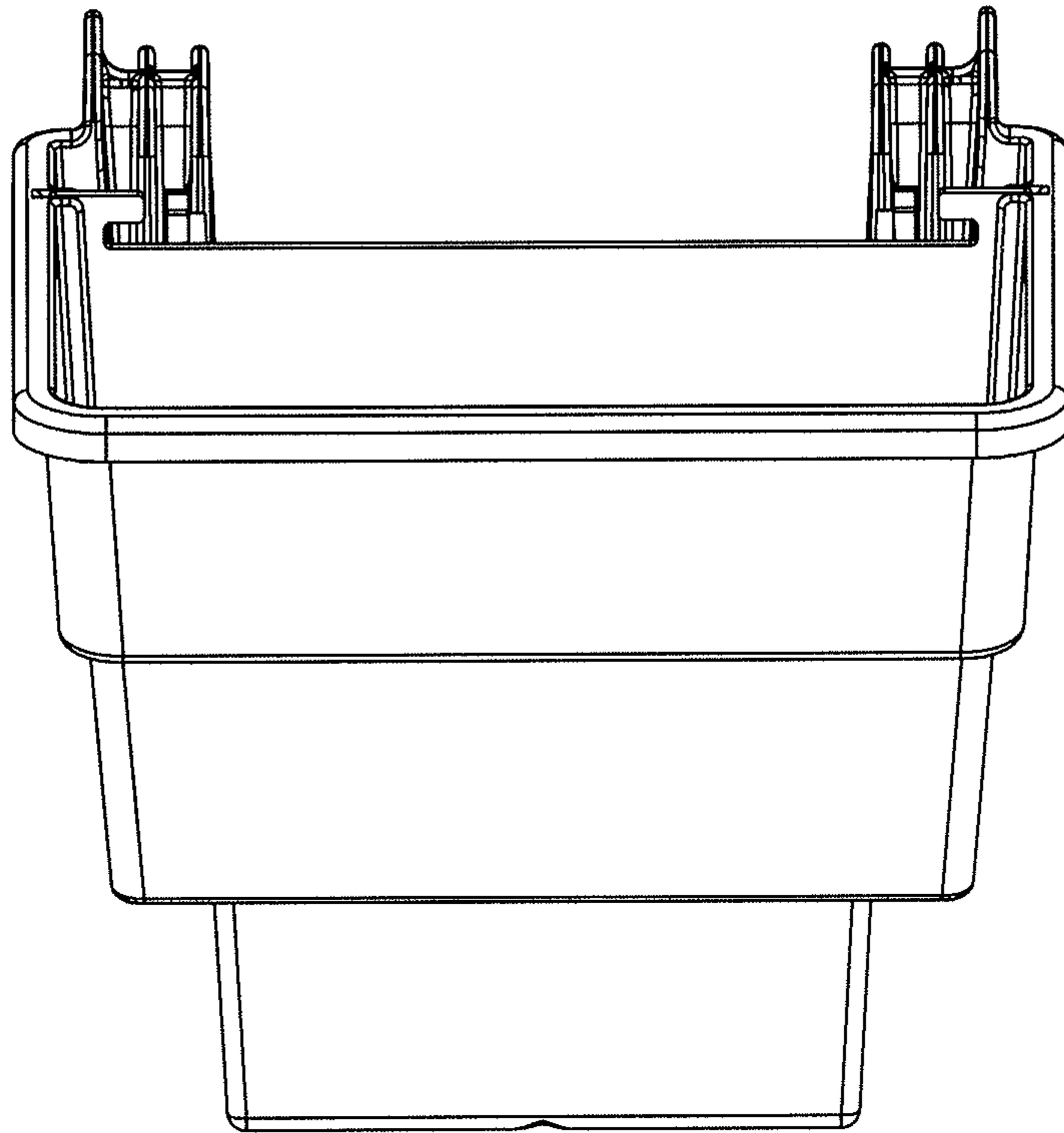


Figure 3

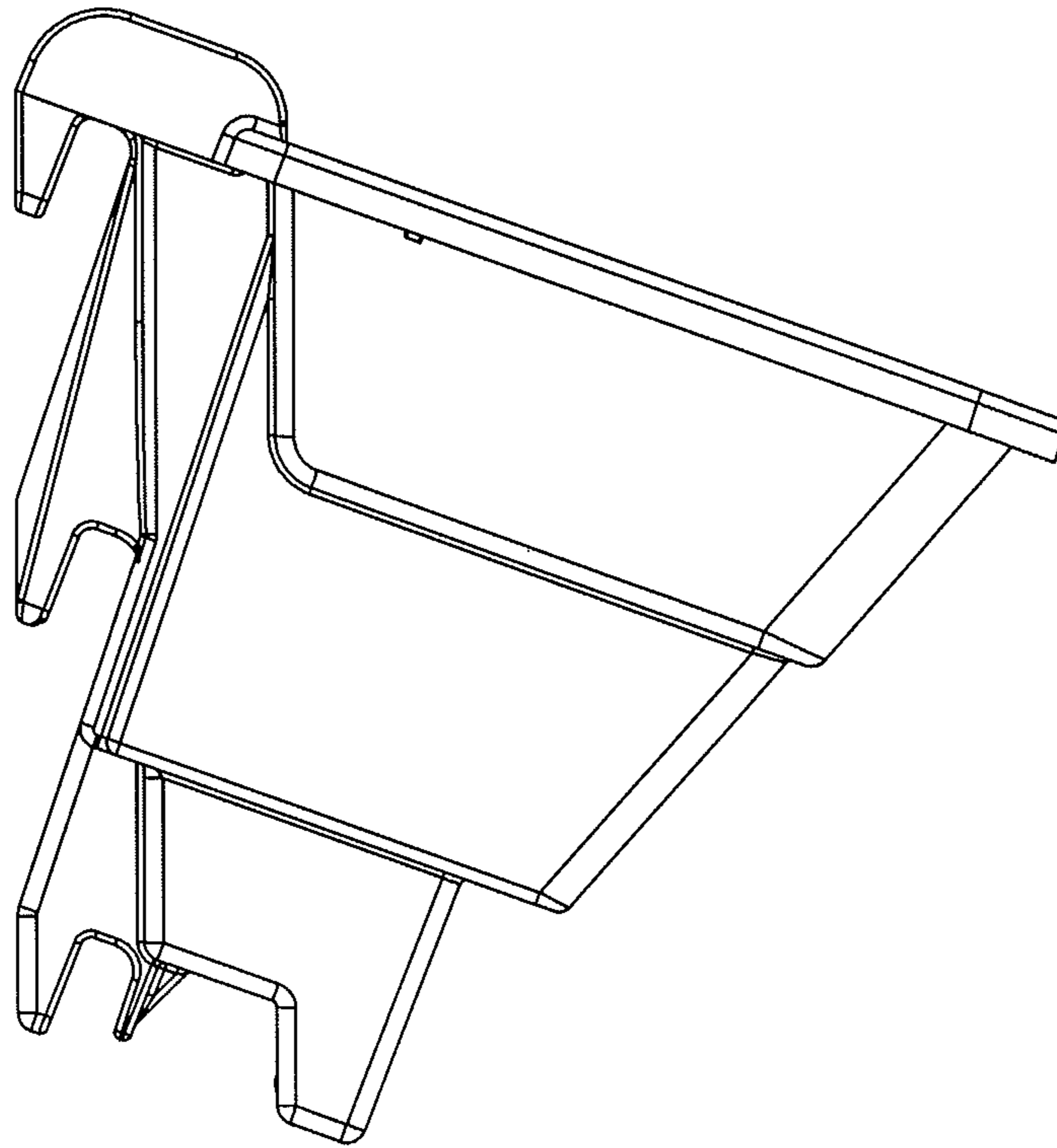


Figure 4

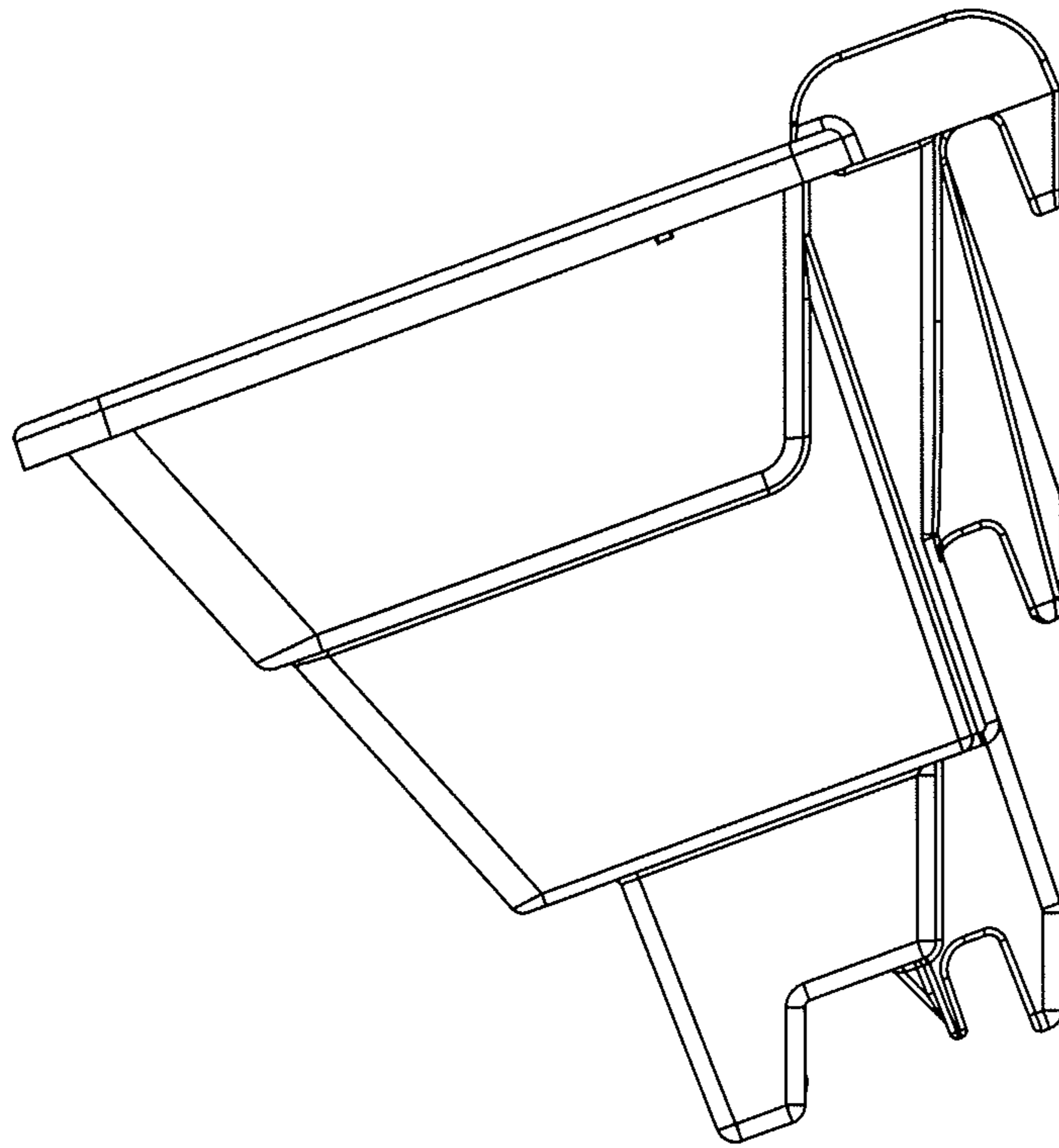


Figure 5

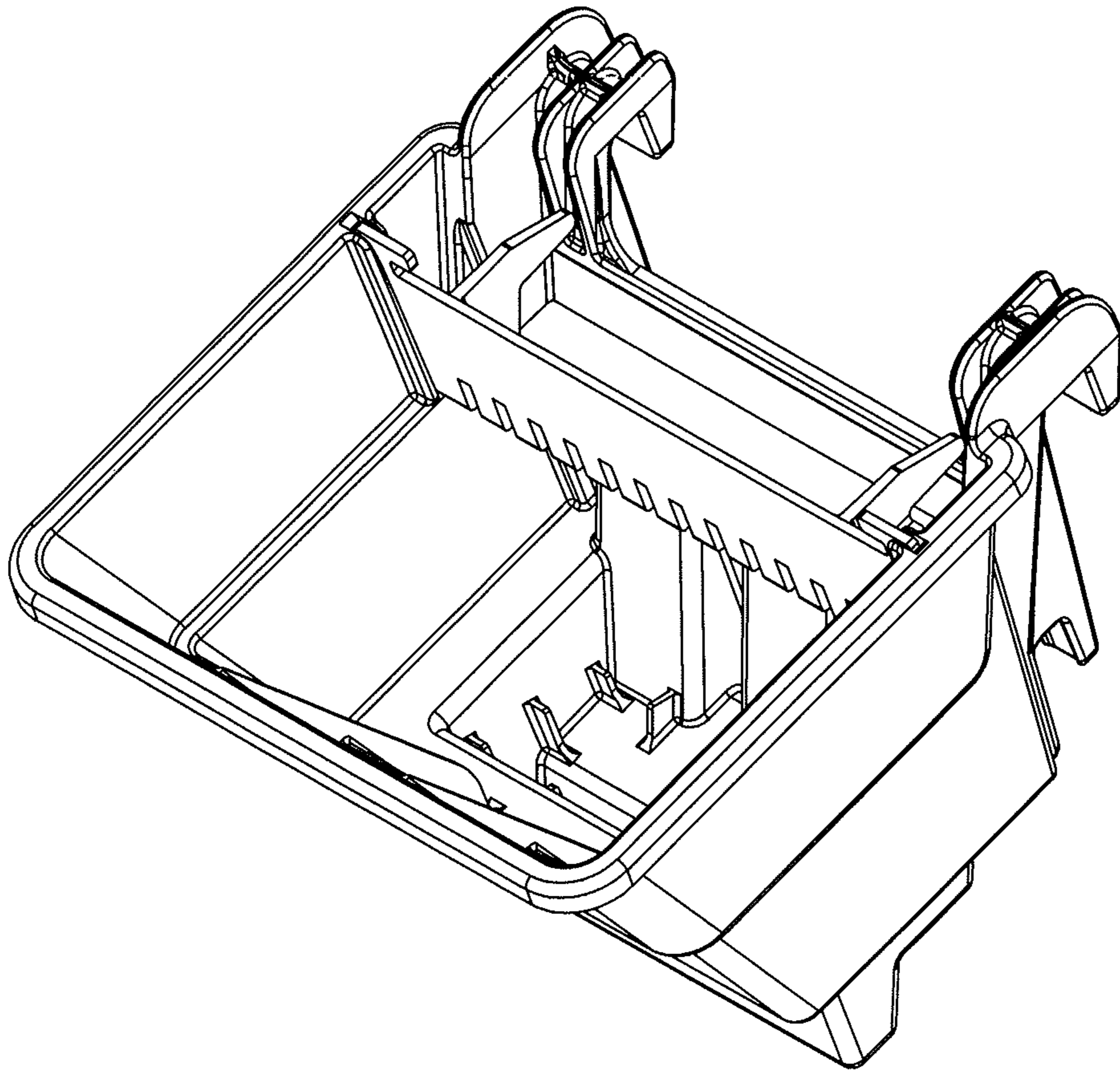


Figure 6

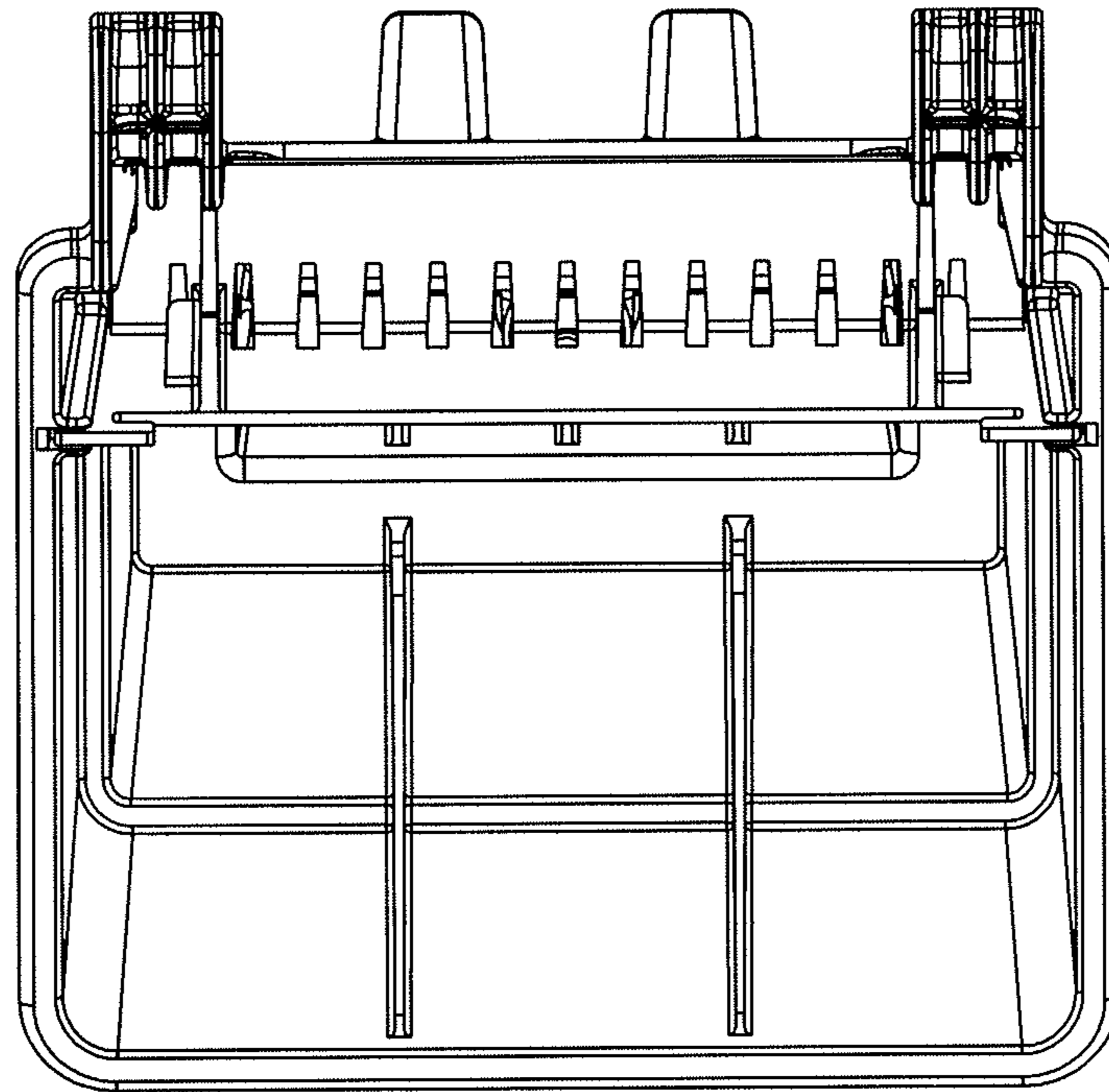


Figure 7