



US00D730078S

(12) **United States Design Patent**
Kolano

(10) **Patent No.:** **US D730,078 S**

(45) **Date of Patent:** **** May 26, 2015**

(54) **SPONGE AND BRUSH HOLDER**

(56) **References Cited**

(71) Applicant: **HUTZLER MANUFACTURING CO., INC.**, Canaan, CT (US)

U.S. PATENT DOCUMENTS

(72) Inventor: **William Kolano**, Pittsburgh, PA (US)

D553,820 S * 10/2007 Baumgart et al. D6/553
D636,201 S * 4/2011 Kolano et al. D6/553
D674,224 S * 1/2013 Connelly et al. D6/525

(73) Assignee: **HUTZLER MANUFACTURING CO., INC.**, Canaan, CT (US)

* cited by examiner

(**) Term: **14 Years**

Primary Examiner — Brian N Vinson

(21) Appl. No.: **29/507,351**

(74) *Attorney, Agent, or Firm* — Michael J. Striker

(22) Filed: **Oct. 27, 2014**

(51) **LOC (10) Cl.** **06-04**

(52) **U.S. Cl.**
USPC **D6/553**

(58) **Field of Classification Search**
USPC D6/553, 567, 524, 525; D9/65, 75, 77,
D9/78, 86-91, 99-100; 211/10-11, 13.1,
211/44-50, 119.005, 87.01, 88.01, 126.13,
211/126.16; D3/304

See application file for complete search history.

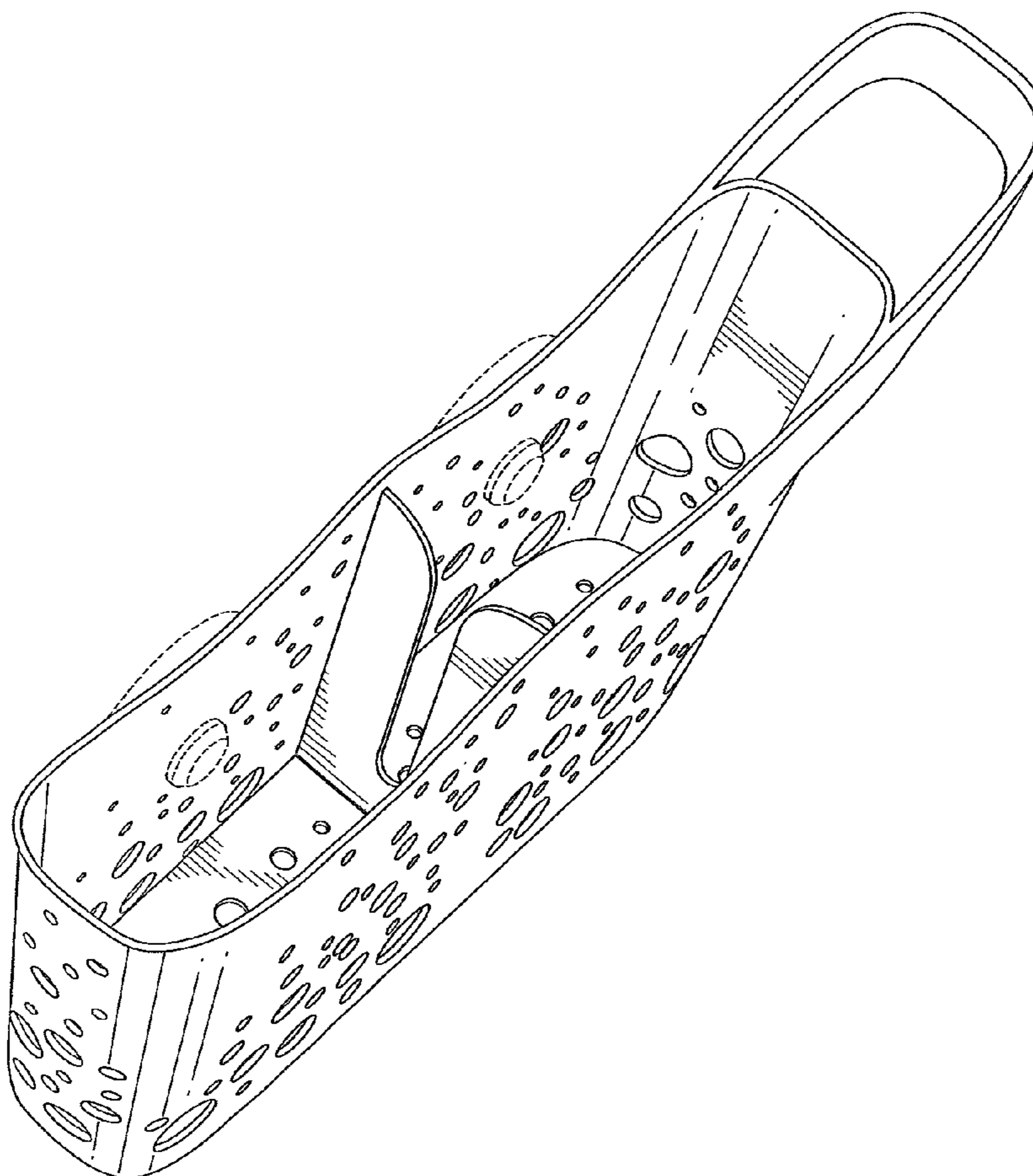
(57) **CLAIM**

The ornamental design for a sponge and brush holder, as shown and described.

DESCRIPTION

FIG. 1 is a top front perspective view of a sponge and brush holder showing my new design;
FIG. 2 is a front elevation view thereof;
FIG. 3 is a rear elevation view thereof;
FIG. 4 is a left side elevation view thereof;
FIG. 5 is a right side elevation view thereof;
FIG. 6 is a top plan view thereof; and,
FIG. 7 is a bottom plan view thereof.

1 Claim, 6 Drawing Sheets



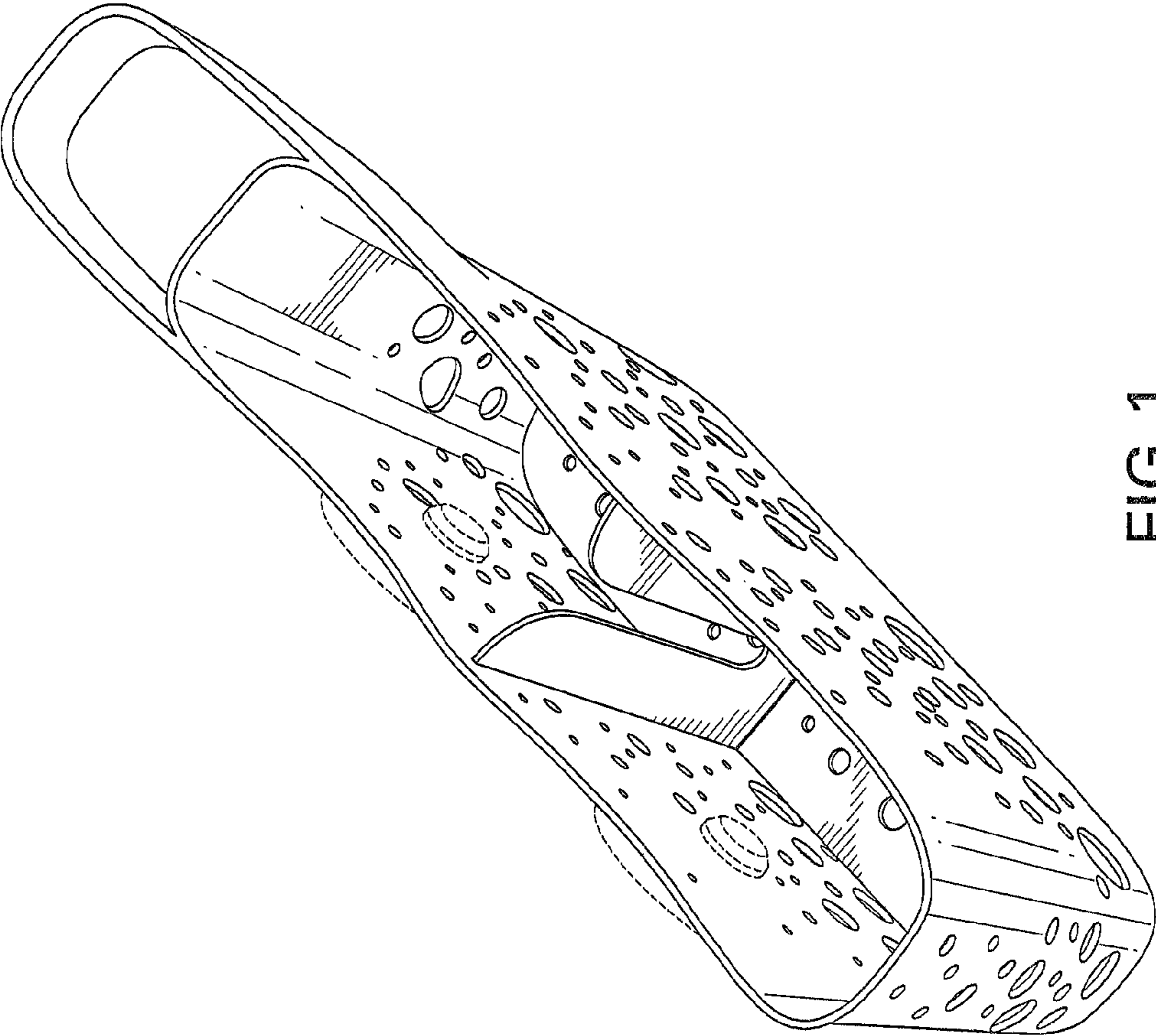


FIG. 1

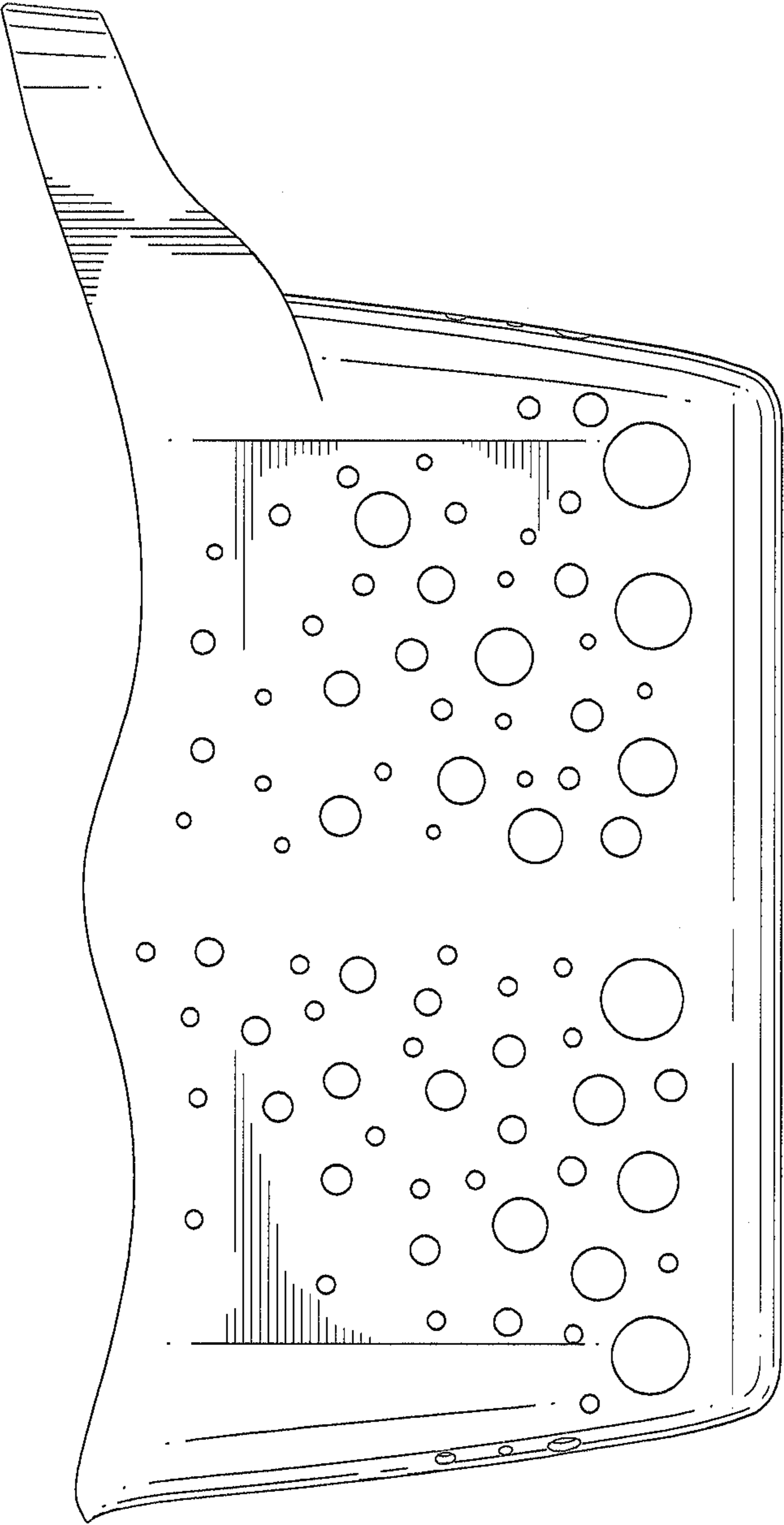


FIG. 2

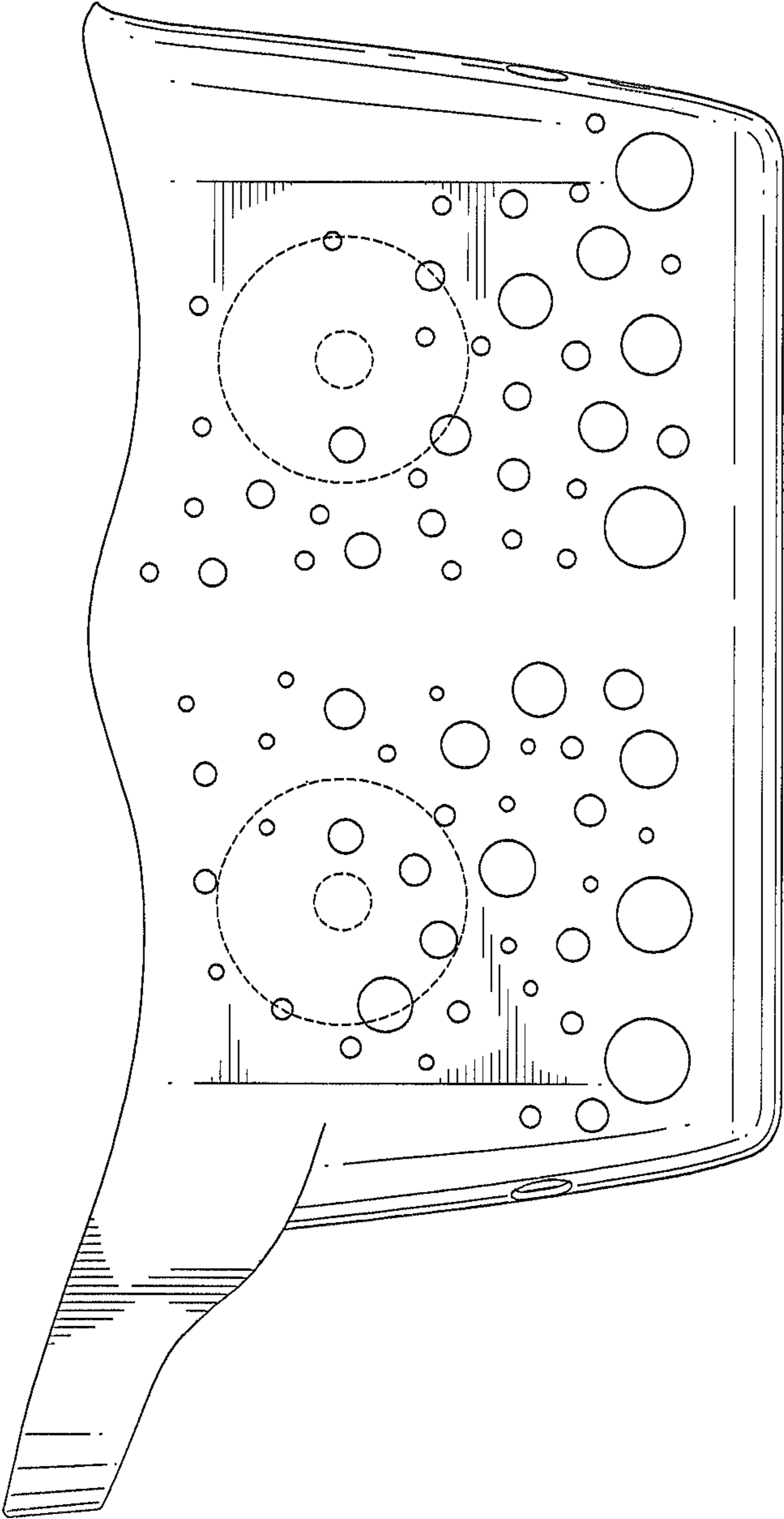


FIG.3

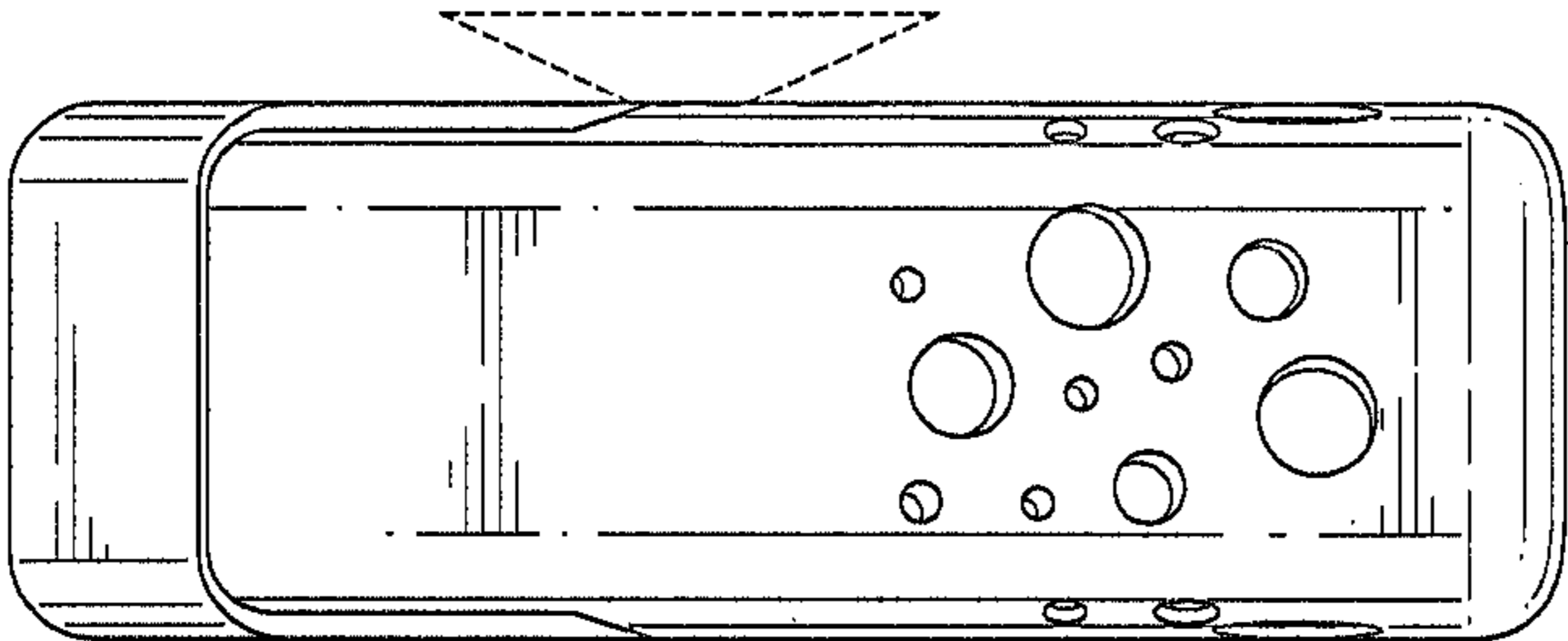


FIG. 5

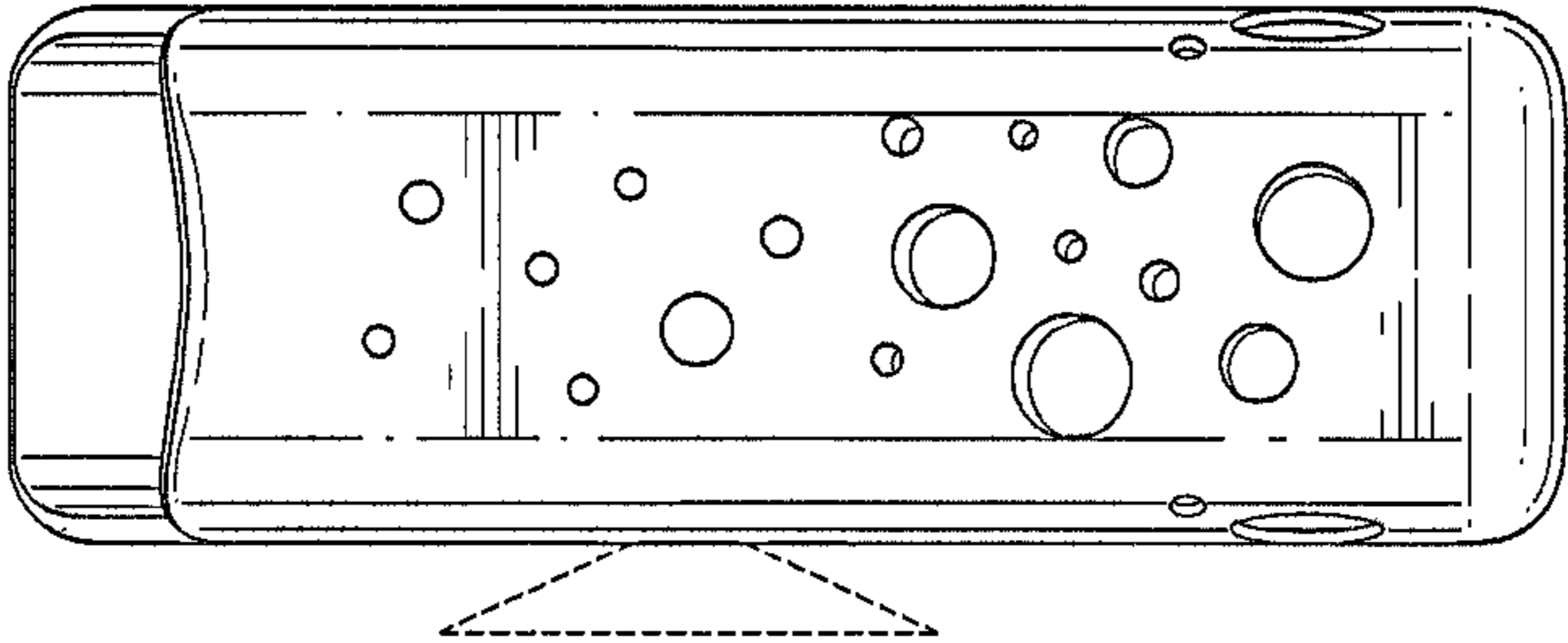


FIG. 4

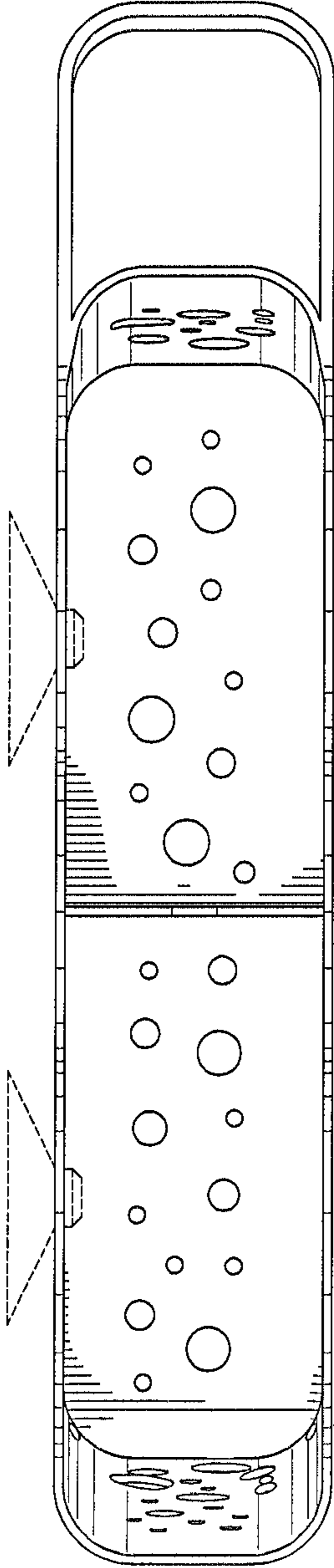


FIG.6

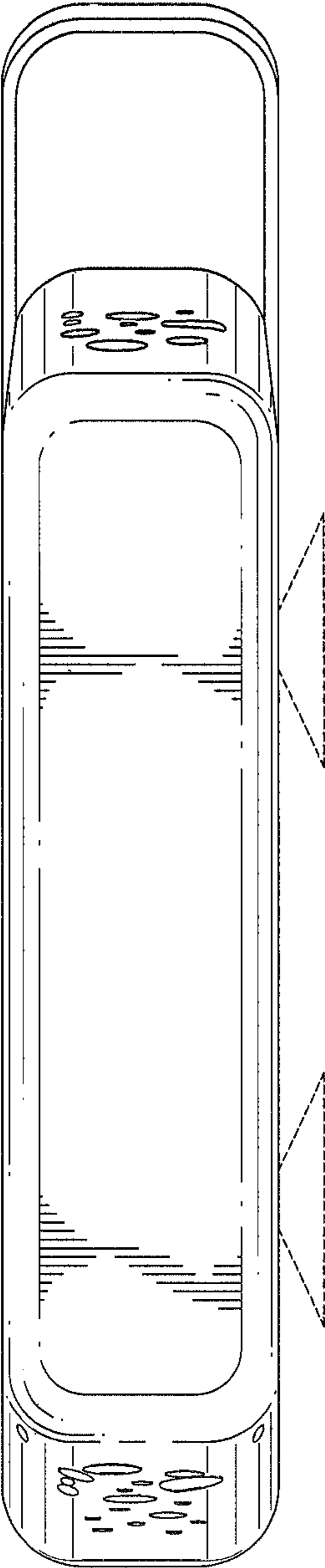


FIG. 7