



US00D730074S

(12) **United States Design Patent**  
**Lievore et al.**

(10) **Patent No.:** **US D730,074 S**  
(45) **Date of Patent:** **\*\* May 26, 2015**

(54) **ARMCHAIR**

(71) Applicant: **ARPER S.p.A.**, Monastier di Treviso,  
Treviso (IT)

(72) Inventors: **Alberto Lievore**, Treviso (IT);  
**Jeannette Altherr**, Treviso (IT); **Manel**  
**Molina**, Treviso (IT)

(73) Assignee: **ARPER S.p.A.**, Monastier di Treviso,  
Treviso (IT)

(\*\*) Term: **14 Years**

(21) Appl. No.: **29/502,571**

(22) Filed: **Sep. 17, 2014**

(30) **Foreign Application Priority Data**

Mar. 21, 2014 (WO) ..... 801813901

(51) **LOC (10) Cl.** ..... **06-01**

(52) **U.S. Cl.**  
USPC ..... **D6/373**

(58) **Field of Classification Search**

CPC ..... A47C 4/03; A47C 4/025; A47C 4/028;  
A47C 5/04; A47C 5/043

USPC ..... D6/334-336, 371, 373, 374, 375, 376,  
D6/716, 716.1, 716.4

See application file for complete search history.

(56) **References Cited**

**U.S. PATENT DOCUMENTS**

D213,683 S \* 4/1969 Leistekow ..... D6/374

D221,641 S \* 8/1971 Fisher ..... D6/373  
D249,761 S \* 10/1978 Koepke ..... D6/373  
4,421,356 A \* 12/1983 Singer ..... A47C 4/028  
D274,582 S \* 7/1984 Melchior ..... D6/373  
D286,587 S \* 11/1986 Culler ..... D6/334  
D286,588 S \* 11/1986 Culler ..... D6/373  
D289,347 S \* 4/1987 Halme ..... D6/373  
D306,237 S \* 2/1990 Saul ..... D6/373  
D393,956 S \* 5/1998 Kane ..... D6/374  
D585,206 S \* 1/2009 Mourgue ..... D6/373  
D638,229 S \* 5/2011 Lewis ..... D6/334  
D655,099 S \* 3/2012 Werner ..... D6/371

\* cited by examiner

*Primary Examiner* — Mimosa De

(74) *Attorney, Agent, or Firm* — Merchant & Gould P.C.

(57) **CLAIM**

The ornamental design for an armchair, as shown and described.

**DESCRIPTION**

FIG. 1 is a perspective view of an armchair showing our new design;

FIG. 2 is a right side view thereof;

FIG. 3 is a left side view thereof;

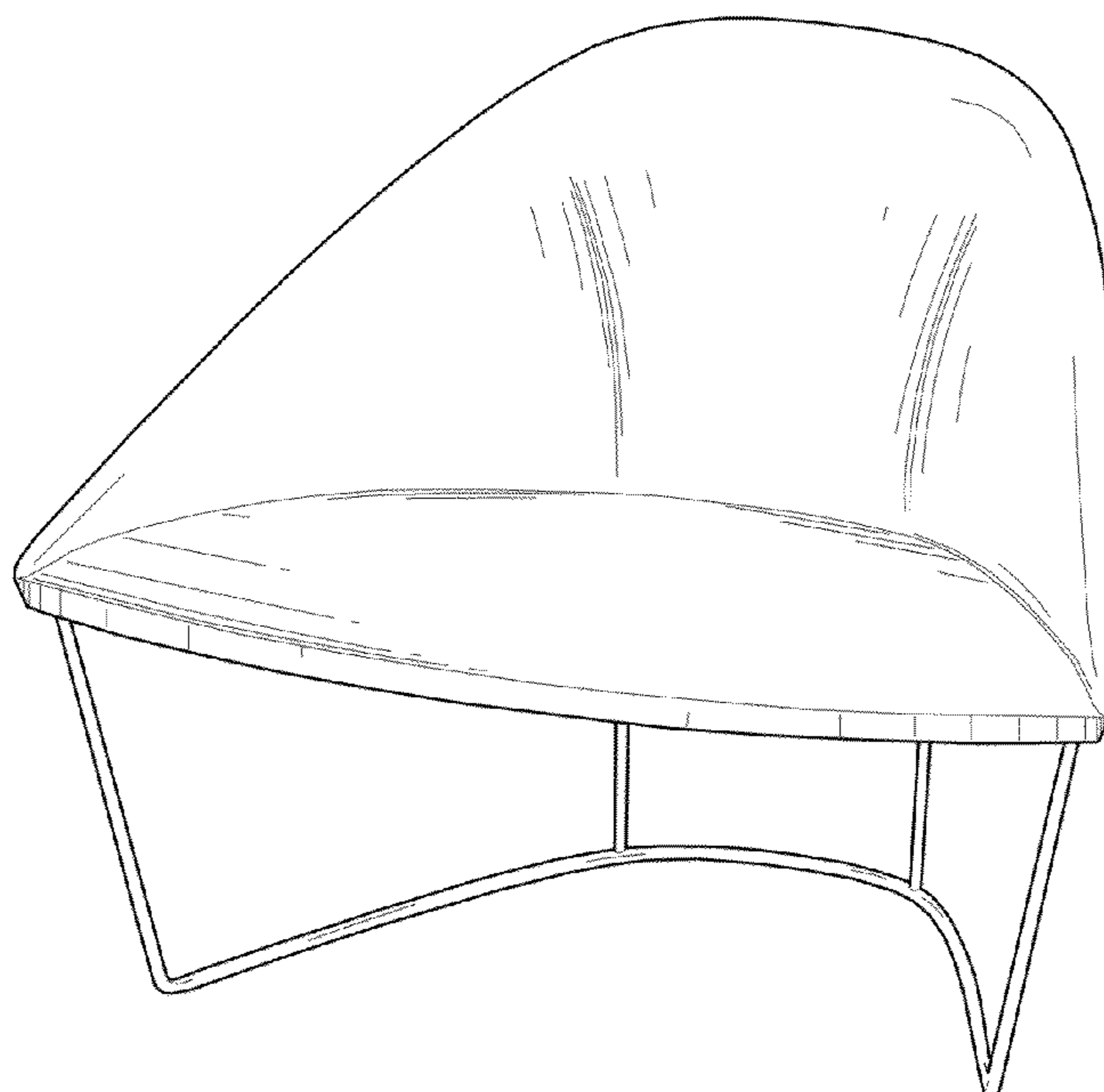
FIG. 4 is a front view thereof;

FIG. 5 is a rear view thereof;

FIG. 6 is a top plan view thereof; and,

FIG. 7 is a bottom plan view thereof.

**1 Claim, 7 Drawing Sheets**



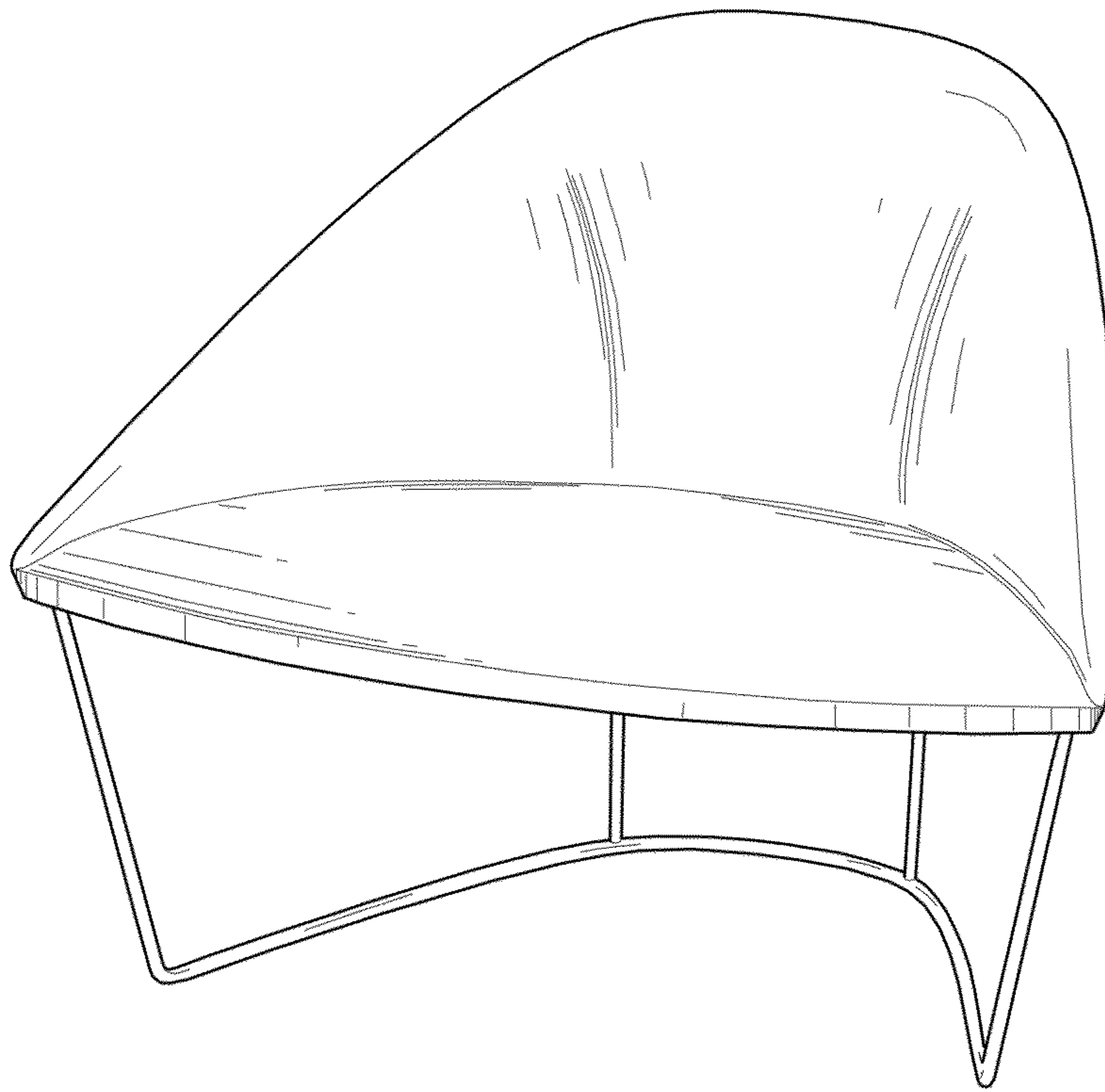


Fig.1

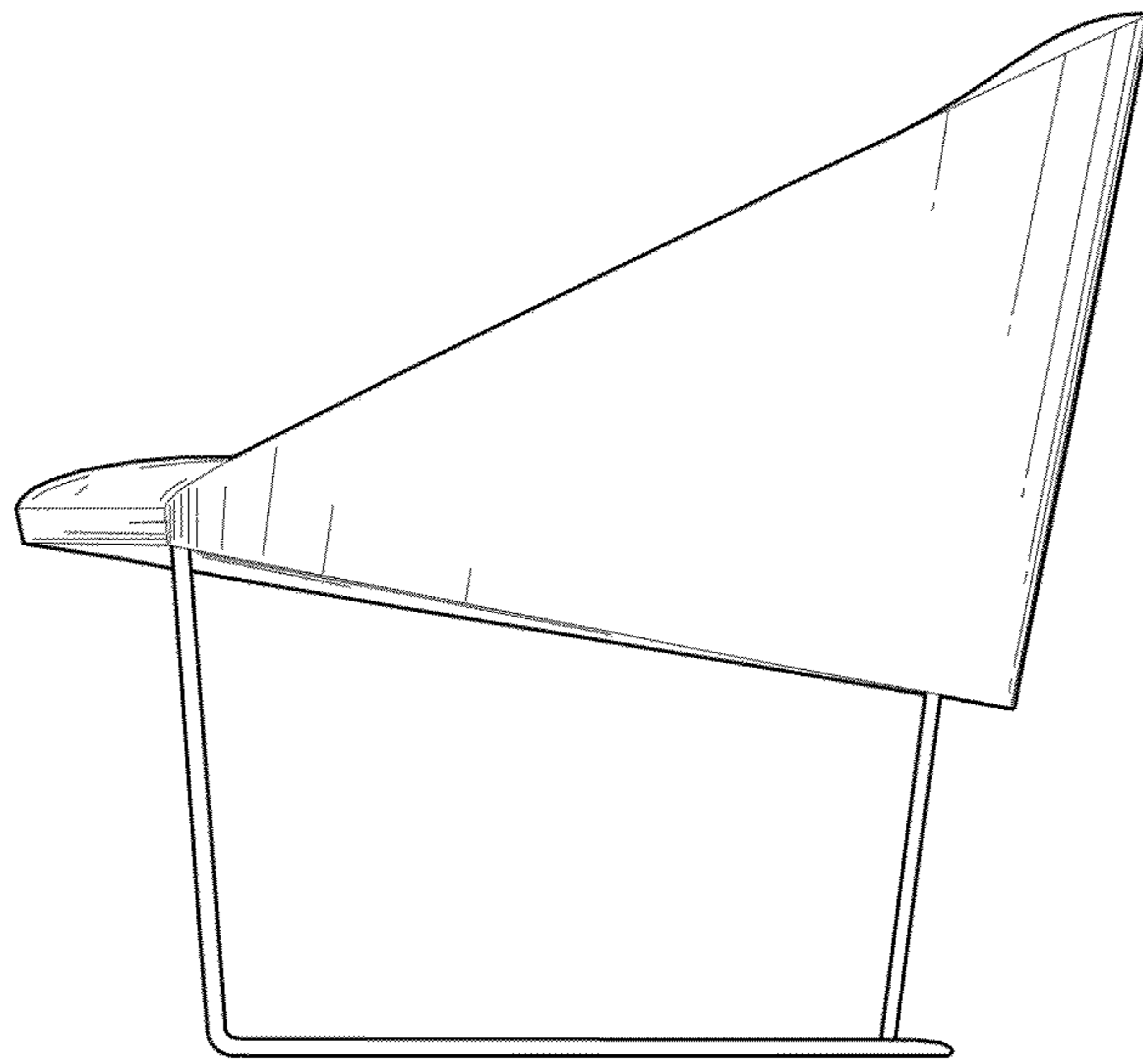


Fig.2

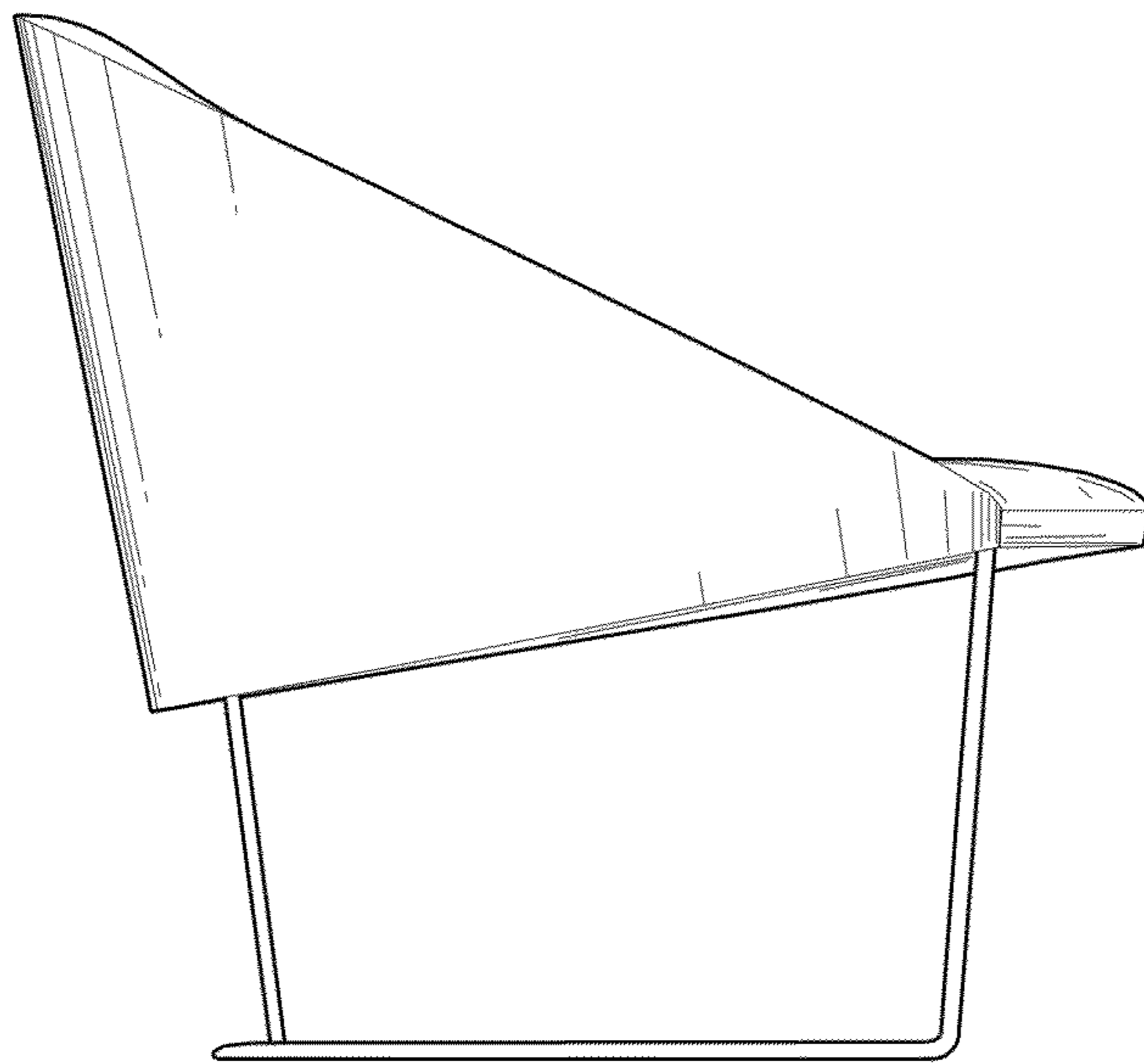


Fig.3

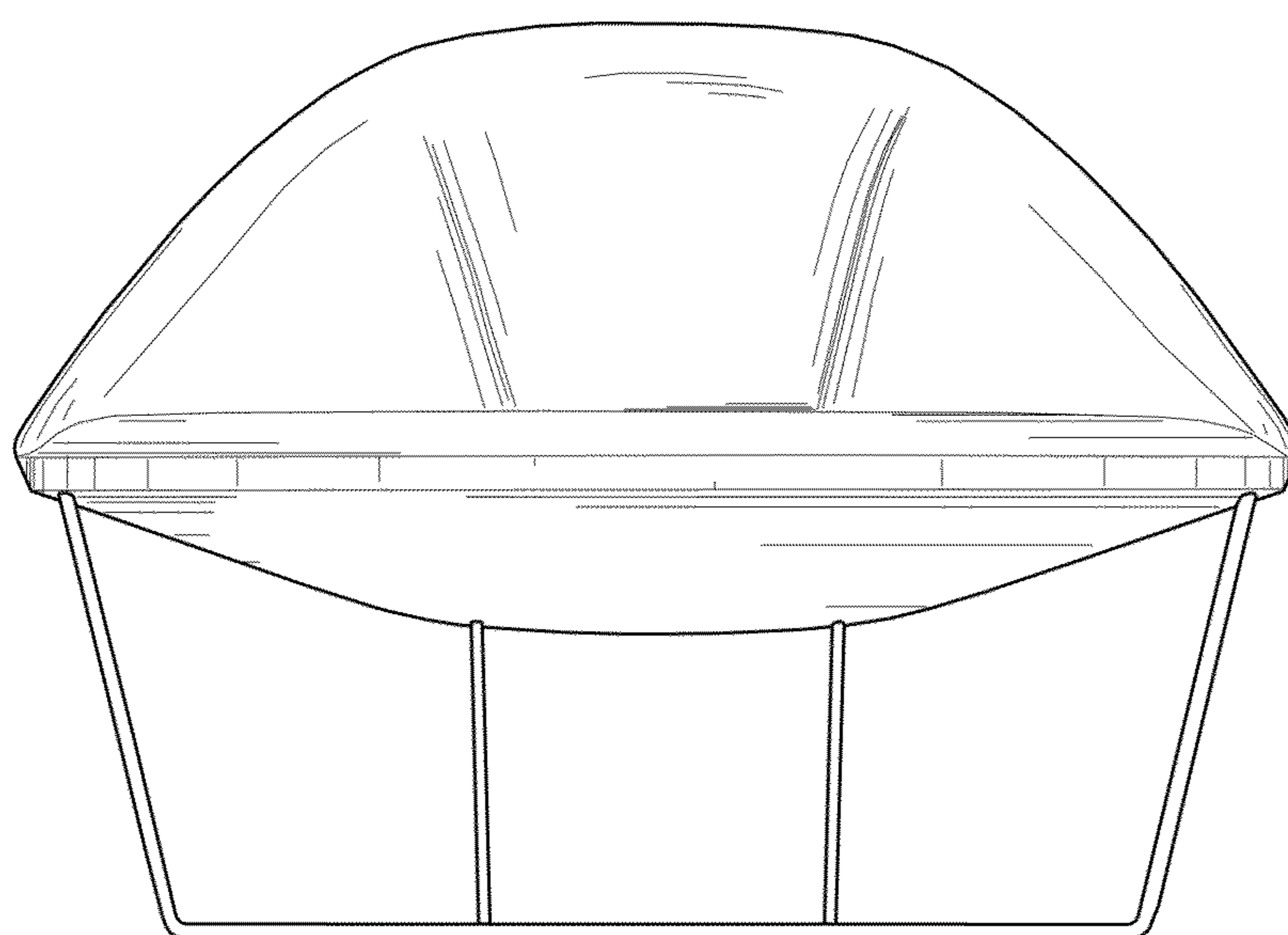


Fig.4

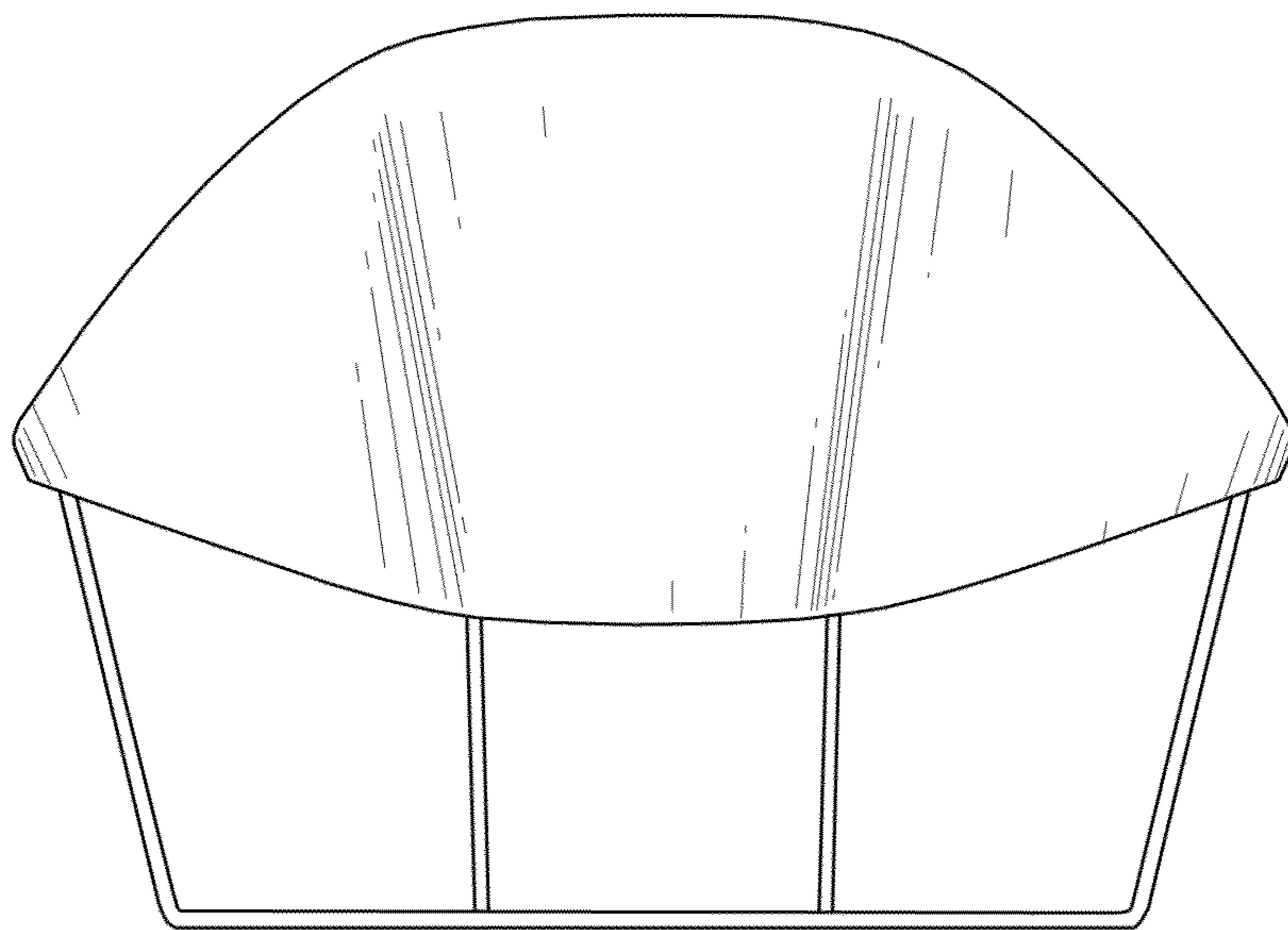


Fig.5

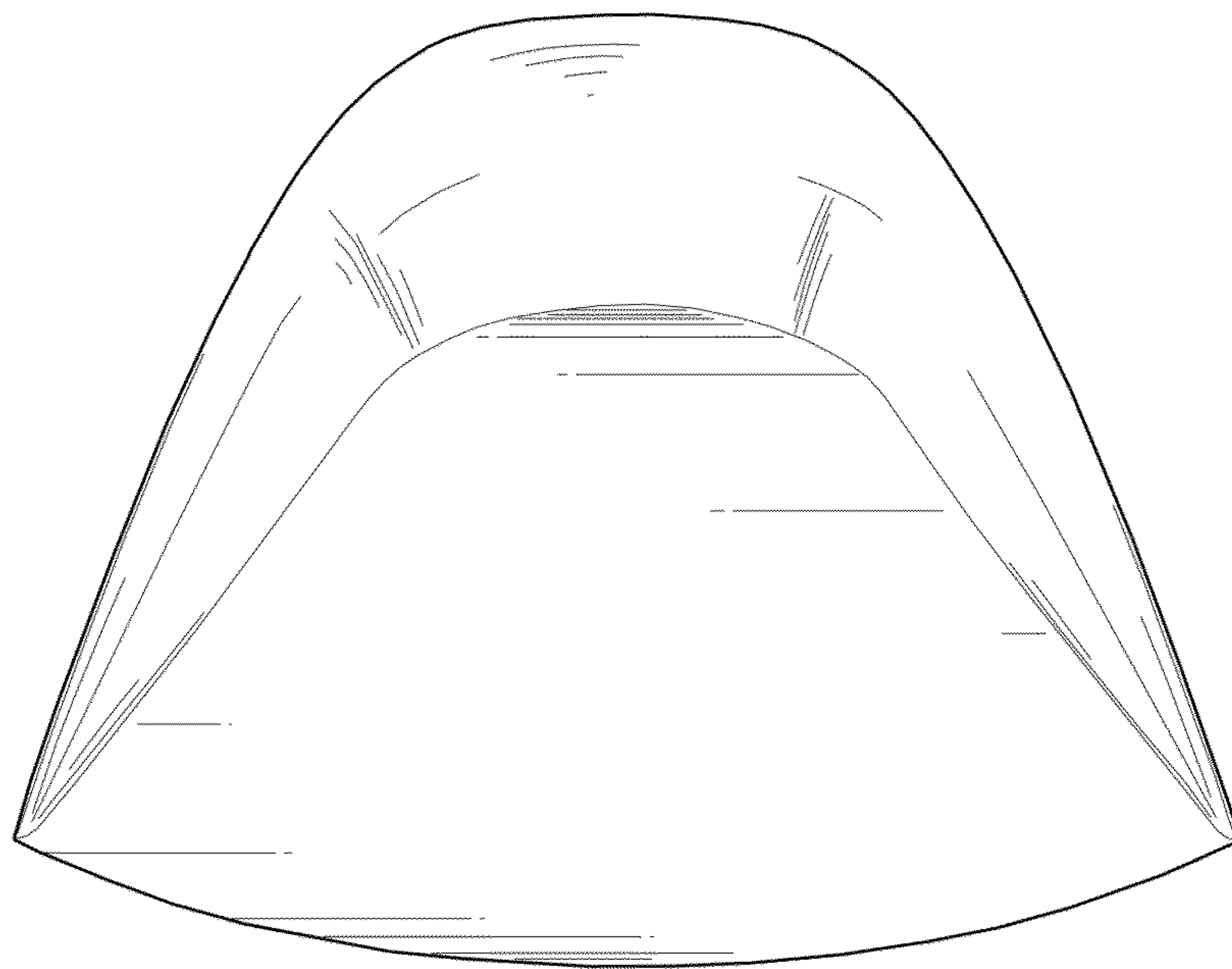


Fig.6

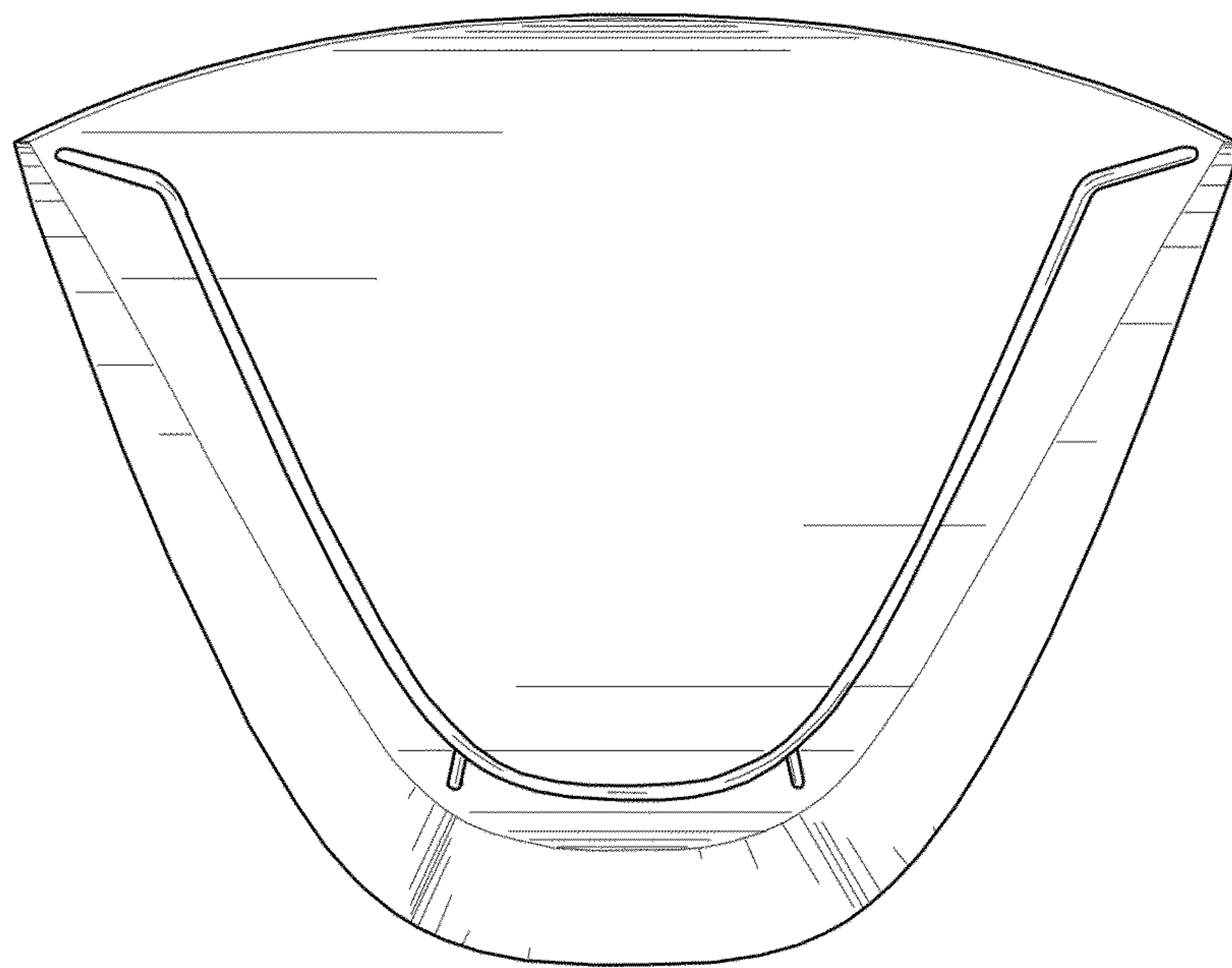


Fig.7