



US00D730072S

(12) **United States Design Patent**
Sakai et al.

(10) **Patent No.:** **US D730,072 S**
(45) **Date of Patent:** **** May 26, 2015**

(54) **MASSAGE CHAIR**

(71) Applicant: **FUJI MEDICAL INSTRUMENTS MFG. CO., LTD.**, Osaka-shi, Osaka (JP)

(72) Inventors: **Toshihiko Sakai**, Tokyo (JP); **Toshihisa Yoshida**, Osaka (JP); **Takashi Mizuguchi**, Osaka (JP); **Hironori Yasuda**, Osaka (JP); **Kentaro Oode**, Osaka (JP)

(73) Assignee: **FUJI MEDICAL INSTRUMENTS MFG. CO., LTD.**, Osaka (JP)

(**) Term: **14 Years**

(21) Appl. No.: **29/469,452**

(22) Filed: **Oct. 10, 2013**

(30) **Foreign Application Priority Data**

May 30, 2013 (JP) 2013-011959

(51) **LOC (10) Cl.** **06-01**

(52) **U.S. Cl.**
USPC **D6/367**

(58) **Field of Classification Search**

CPC A47C 1/0352; A47C 7/50; A47C 7/506;
A61G 2005/128; A61G 5/12; A61H 1/003;
A61H 2201/1669; A61H 15/0078; A61H
7/001; A61H 23/04

USPC D6/334-336, 361, 367, 371, 373, 379,
D6/716, 716.1, 716.2, 716.3, 716.4

See application file for complete search history.

(56) **References Cited**

U.S. PATENT DOCUMENTS

D491,375 S * 6/2004 Yuyama D6/335
D502,817 S * 3/2005 Inada et al. D6/367

(Continued)

FOREIGN PATENT DOCUMENTS

CN 301422745 S 12/2010
CN 302367920 S 3/2013

(Continued)

OTHER PUBLICATIONS

Notice of Allowance for Taiwanese Design Application No. 102306455 issued on Jan. 17, 2014.

Primary Examiner — Mimoso De

(74) *Attorney, Agent, or Firm* — Birch, Stewart, Kolasch & Birch, LLP

(57) **CLAIM**

The ornamental design for a massage chair, as shown and described.

DESCRIPTION

FIG. 1 is a front view of a massage chair showing our new design;

FIG. 2 is a rear view thereof;

FIG. 3 is a top plan view thereof;

FIG. 4 is a bottom plan view thereof;

FIG. 5 is a right side view thereof;

FIG. 6 is a left side view thereof;

FIG. 7 is a perspective view thereof;

FIG. 8 is a sectional view taken along line 8-8 of a front view omitting internal structure thereof;

FIG. 9 is a left side view showing the state in which the footrest is raised;

FIG. 10 is a perspective view showing the state in which the footrest is raised thereof;

FIG. 11 is a left side view showing the state in which the footrest is raised and the backrest is inclined backward thereof;

FIG. 12 is a perspective view showing the state in which the footrest is raised and the backrest is inclined backward thereof;

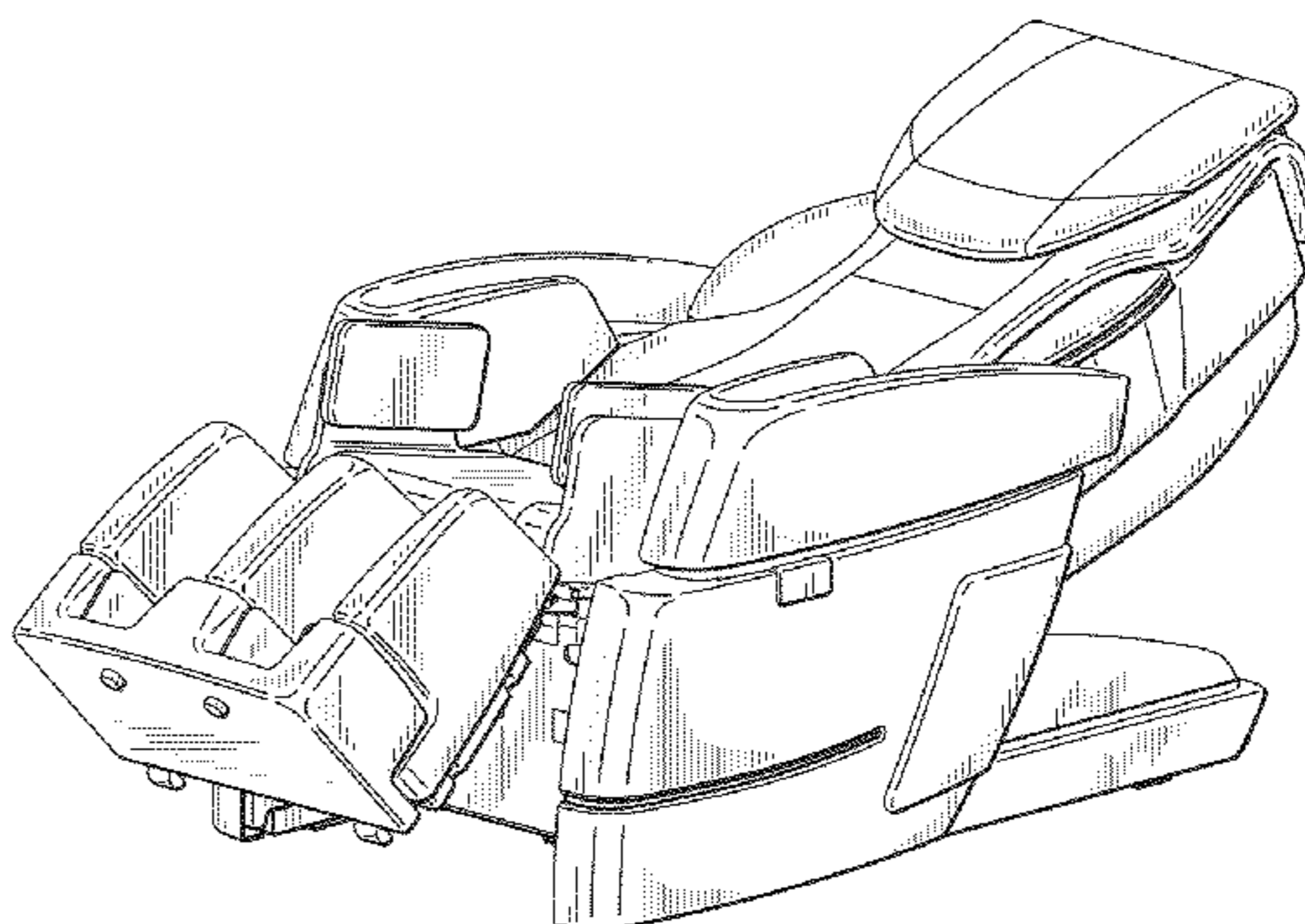
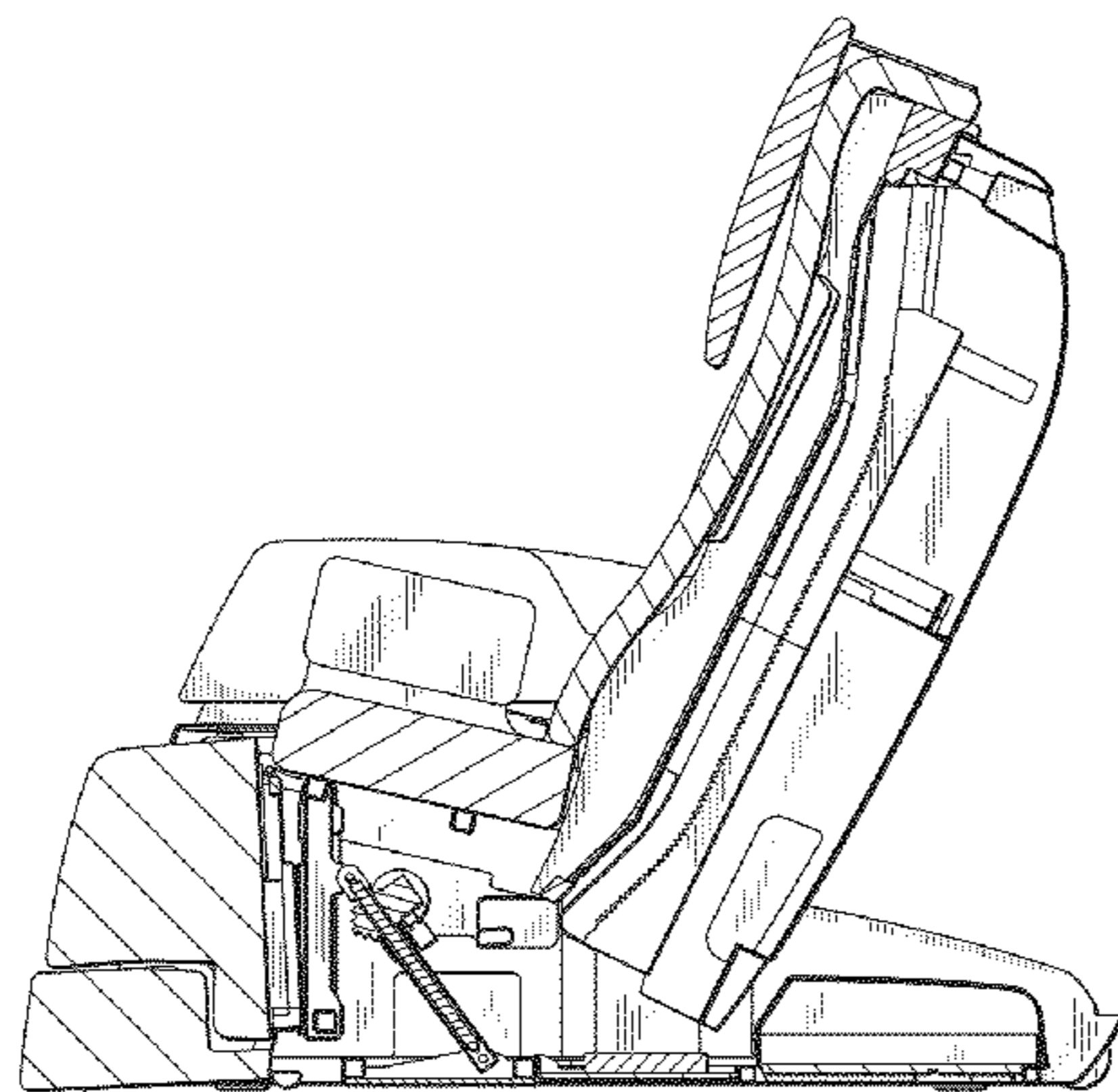
FIG. 13 is a left side view showing the state in which the footrest is raised and extended and the backrest is inclined backward thereof;

FIG. 14 is a perspective view showing the state in which the footrest is raised and extended and the backrest is inclined backward thereof; and,

FIG. 15 is a referential perspective view showing the state in use thereof.

The broken lines showing of the human figure in FIG. 15 are for illustrative purpose only and form no part of the claimed design.

1 Claim, 8 Drawing Sheets



(56)

References Cited

U.S. PATENT DOCUMENTS

D536,189 S * 2/2007 Kita D6/367
D536,891 S * 2/2007 Miyake et al. D6/367
D537,644 S * 3/2007 Kawamura D6/367
D544,224 S * 6/2007 Zhuo D6/367
D577,923 S * 10/2008 Kita D6/367
D580,671 S * 11/2008 Aoki et al. D6/367
D609,932 S * 2/2010 Lee D6/367
D610,362 S * 2/2010 Choi et al. D6/367

D656,331 S * 3/2012 Kita D6/367
D680,766 S * 4/2013 Morimoto et al. D6/367
D699,961 S * 2/2014 Le et al. D6/367

FOREIGN PATENT DOCUMENTS

JP D1442714 6/2012
JP D1442871 6/2012
TW D118476 8/2007
TW D125675- 10/2008
TW D151252 1/2013

* cited by examiner

FIG.1

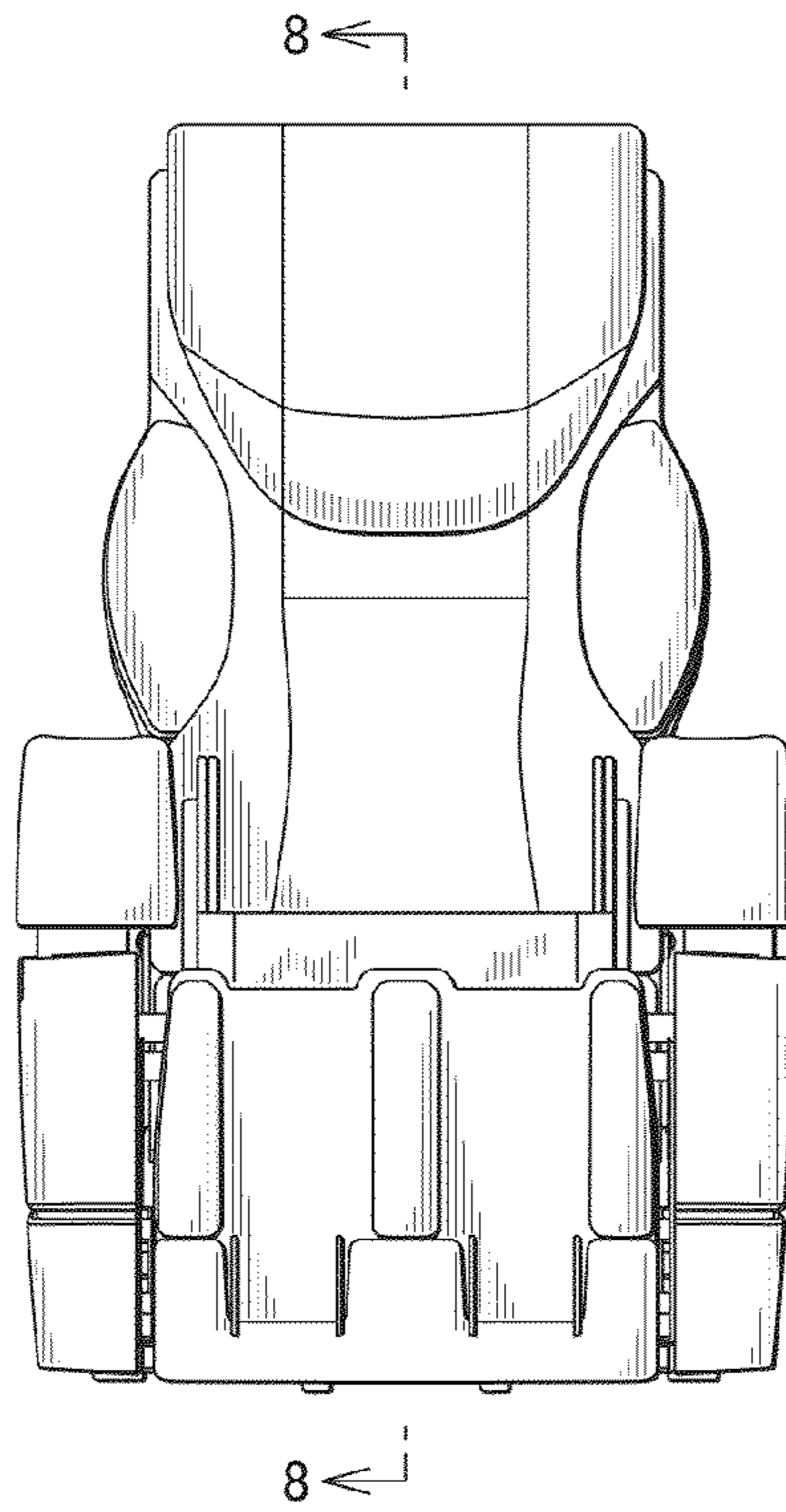


FIG.2

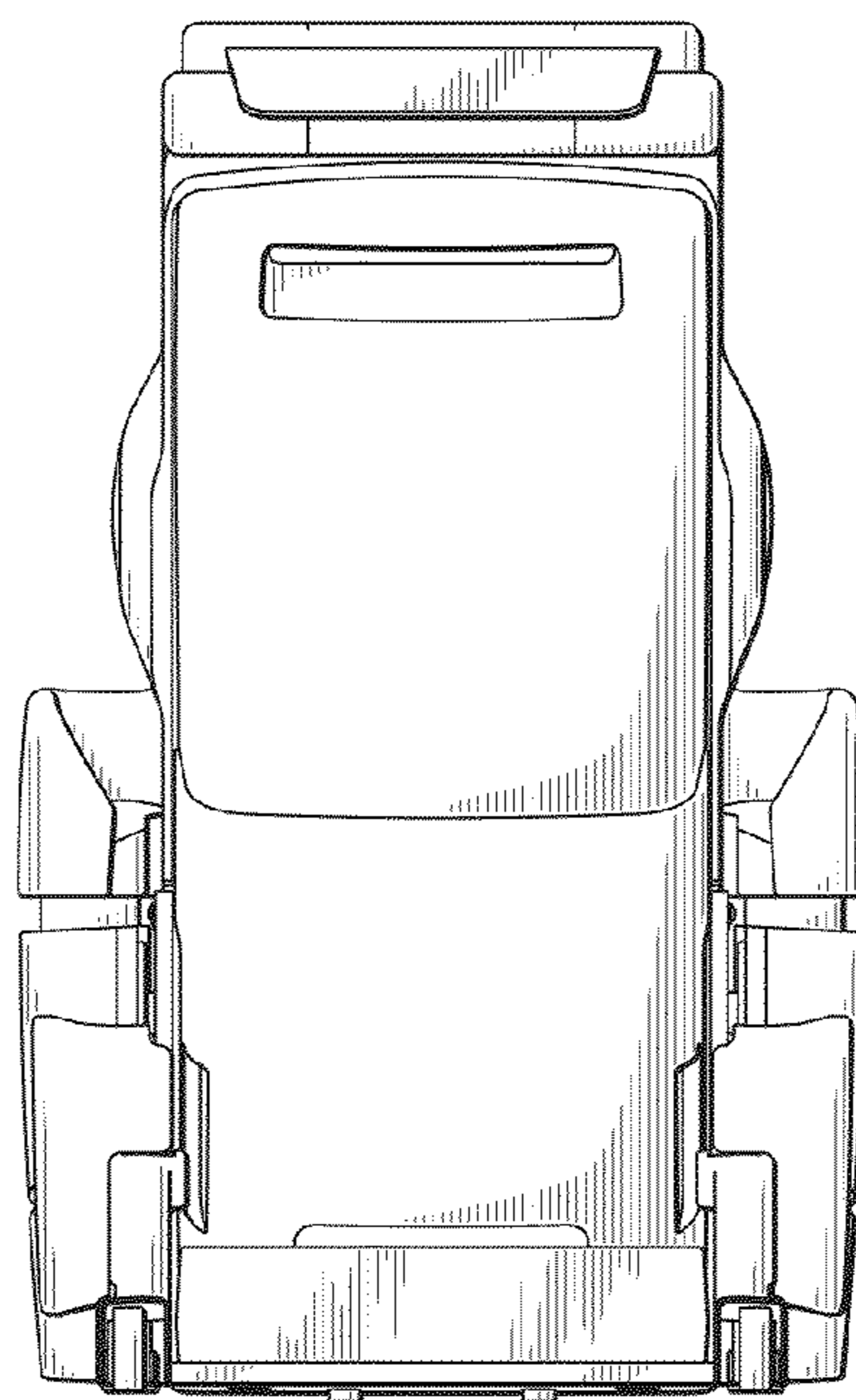


FIG.3

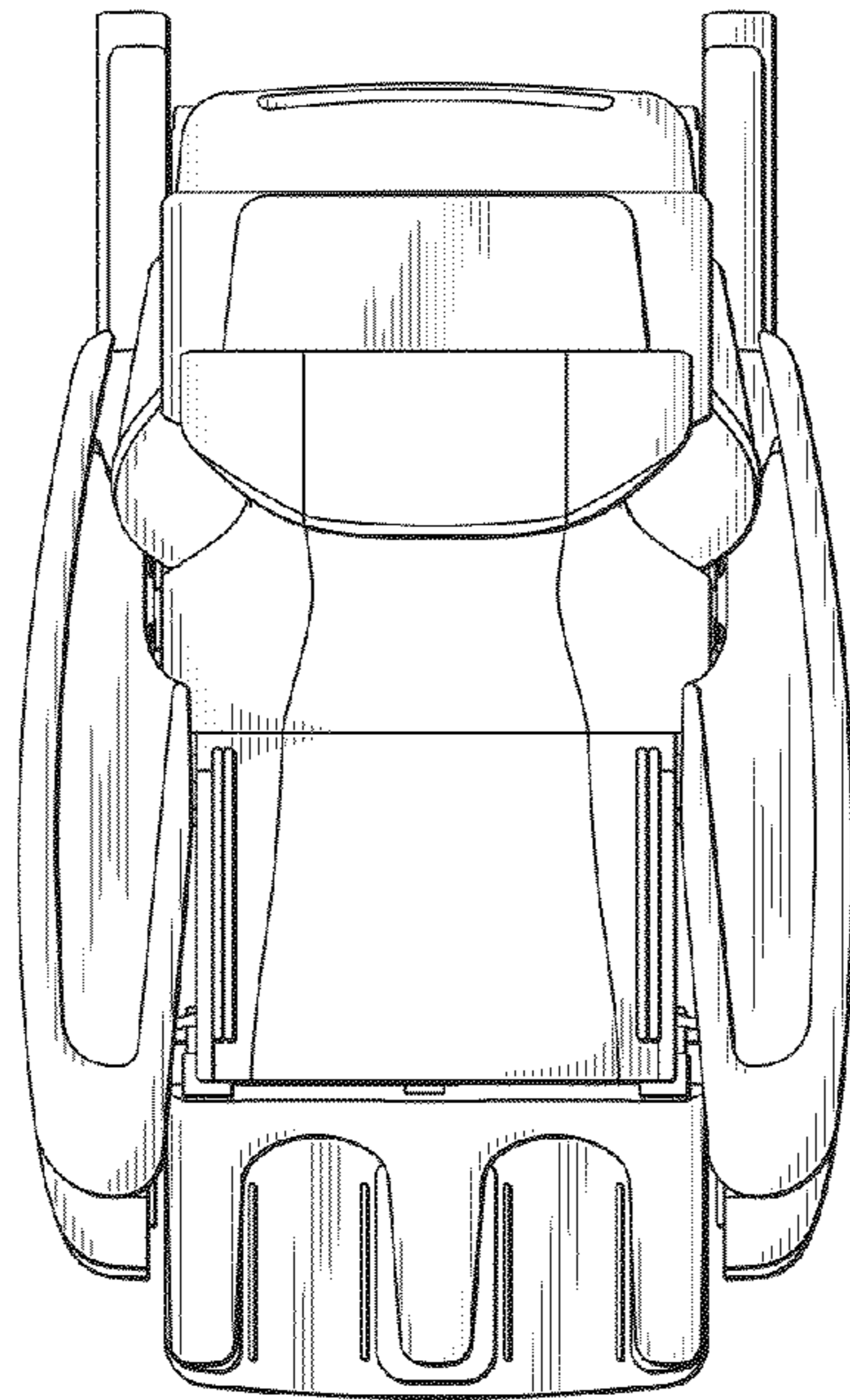


FIG.4

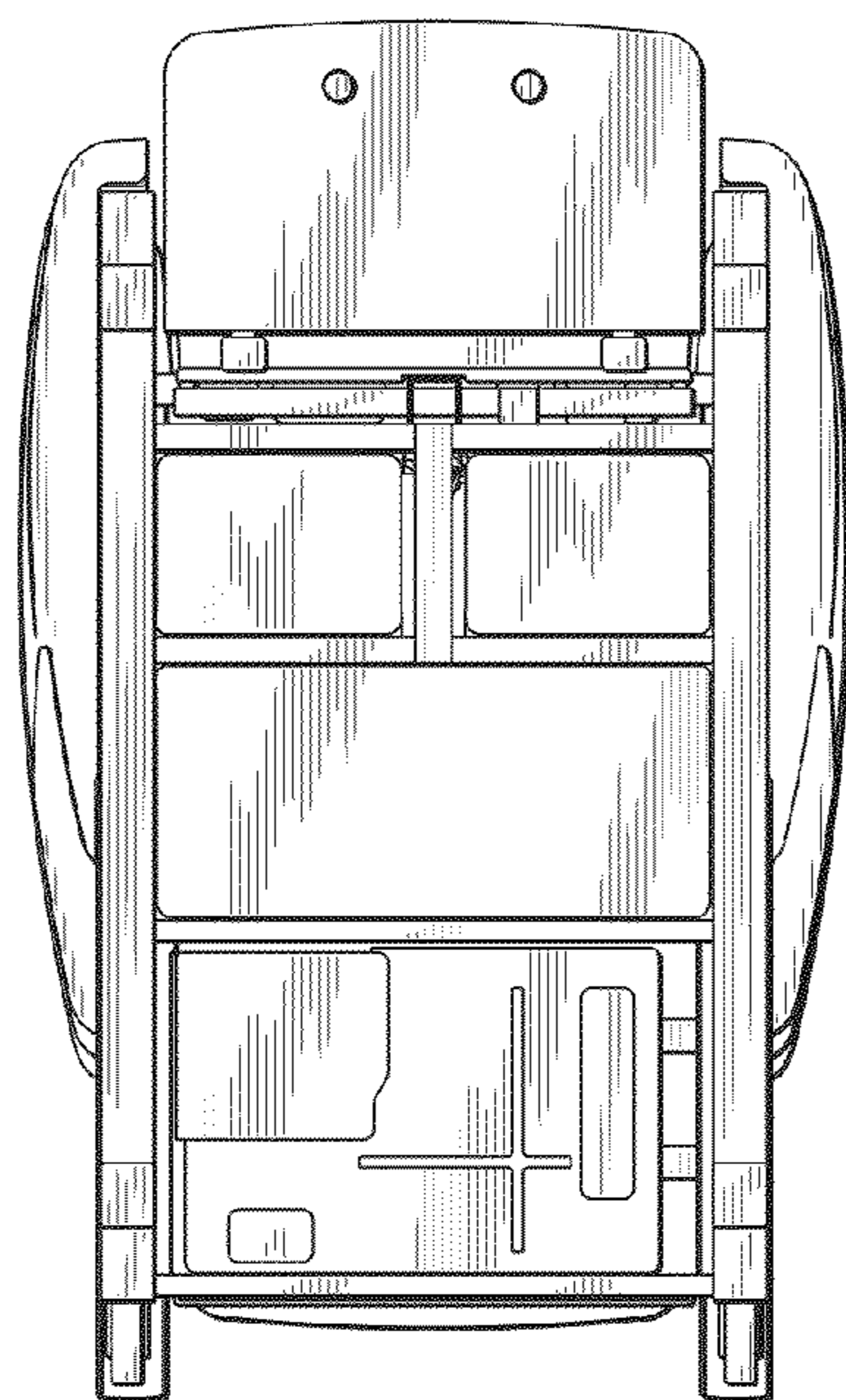


FIG.5

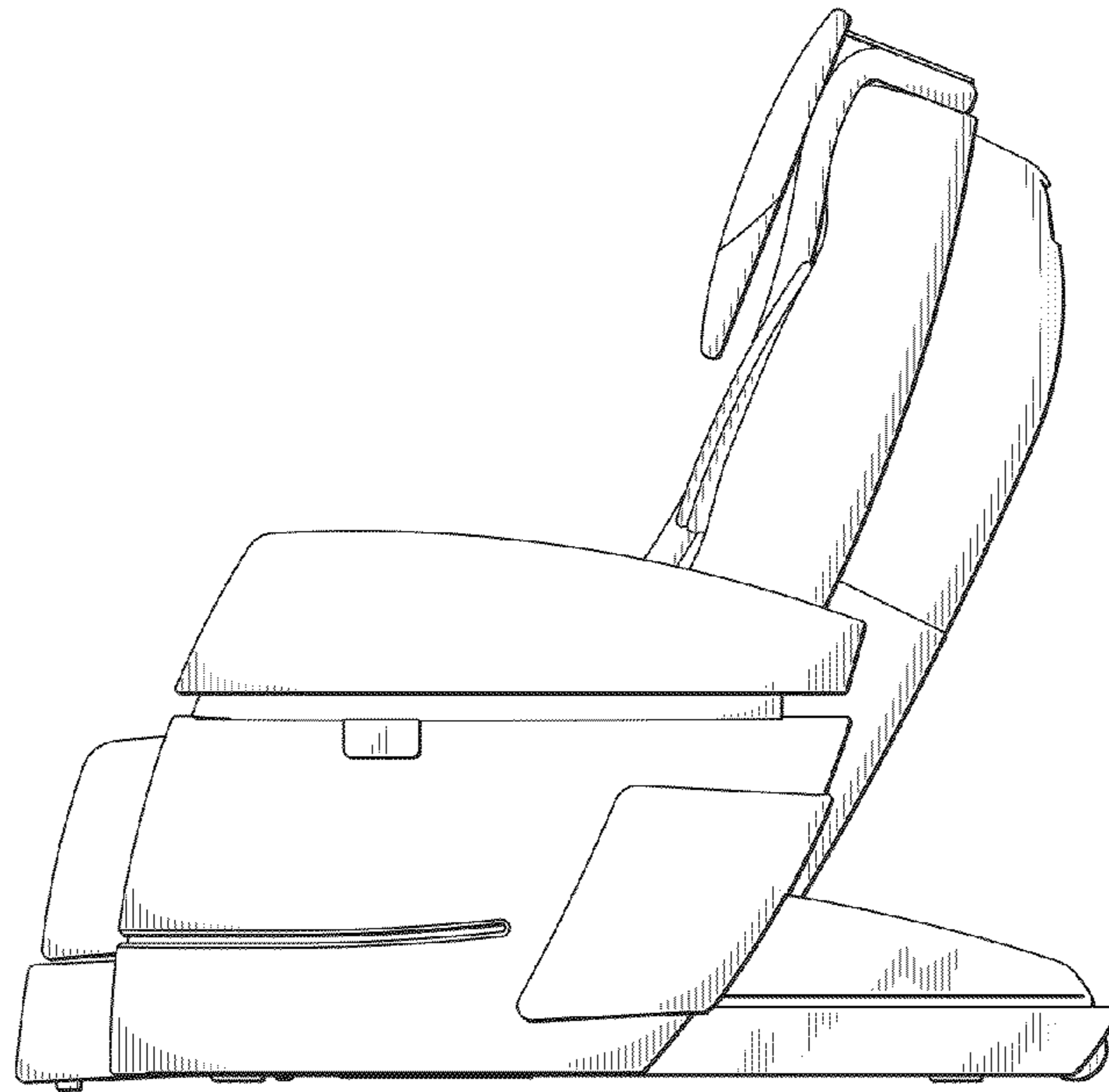


FIG.6

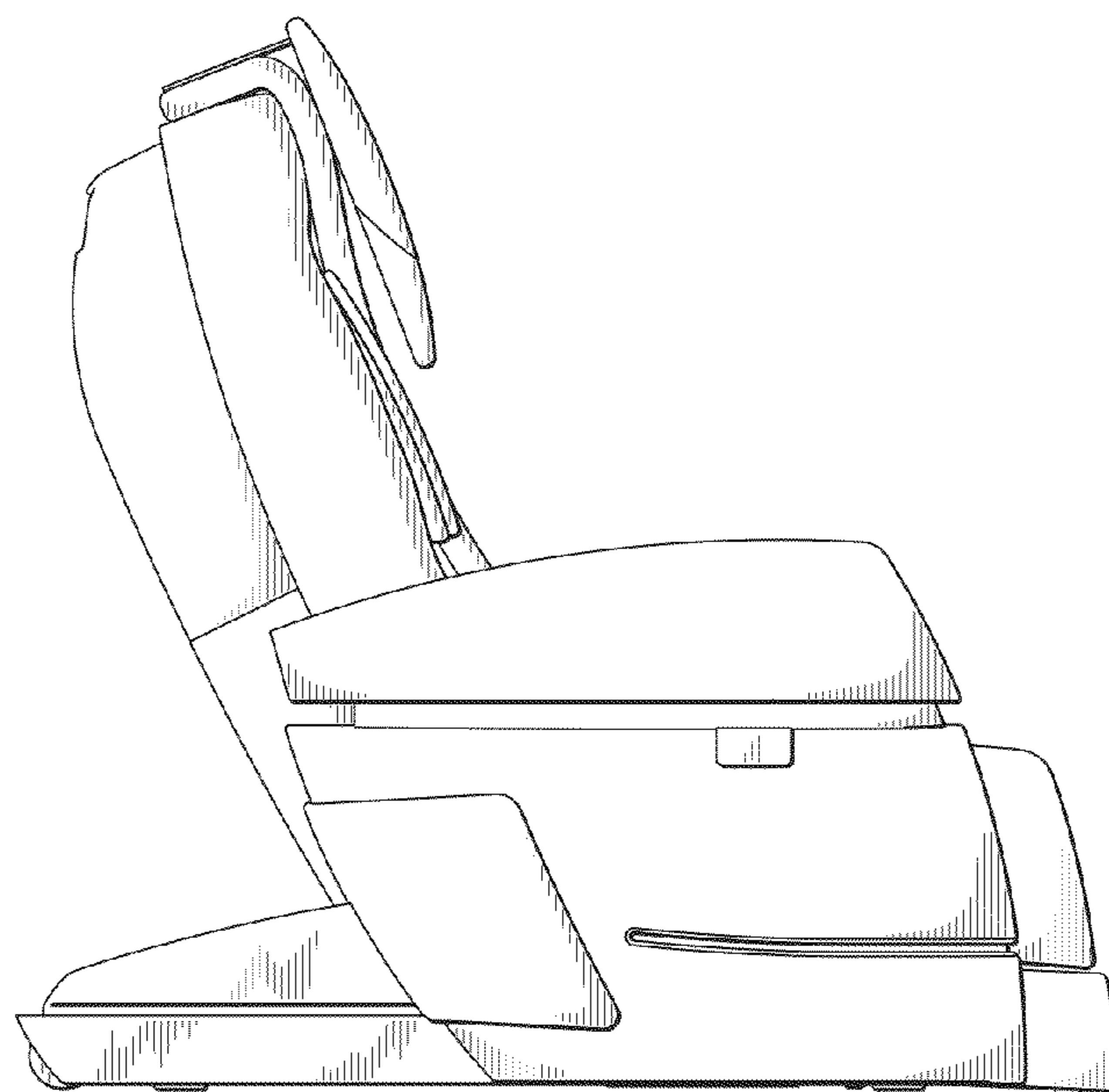


FIG.7

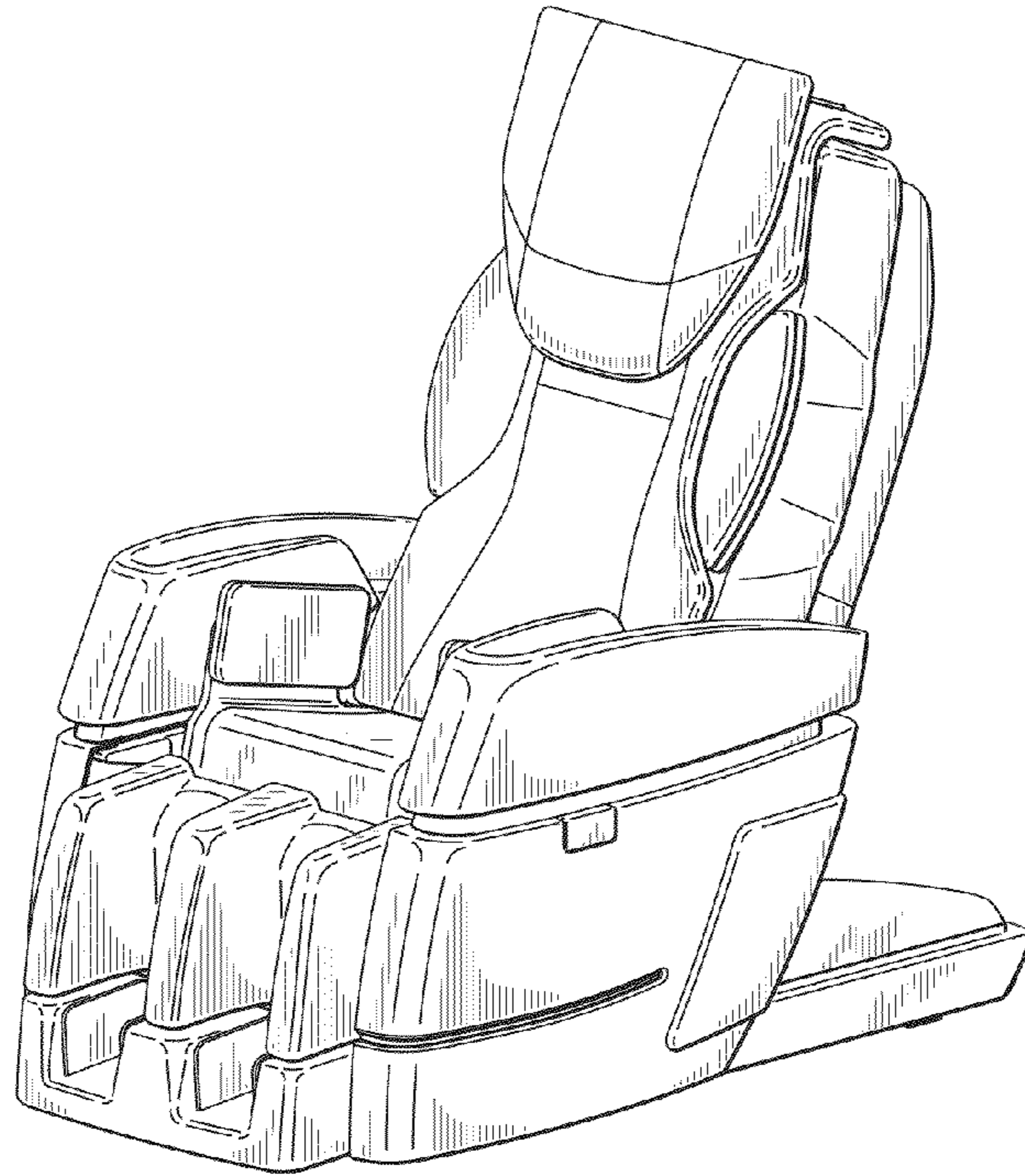


FIG.8

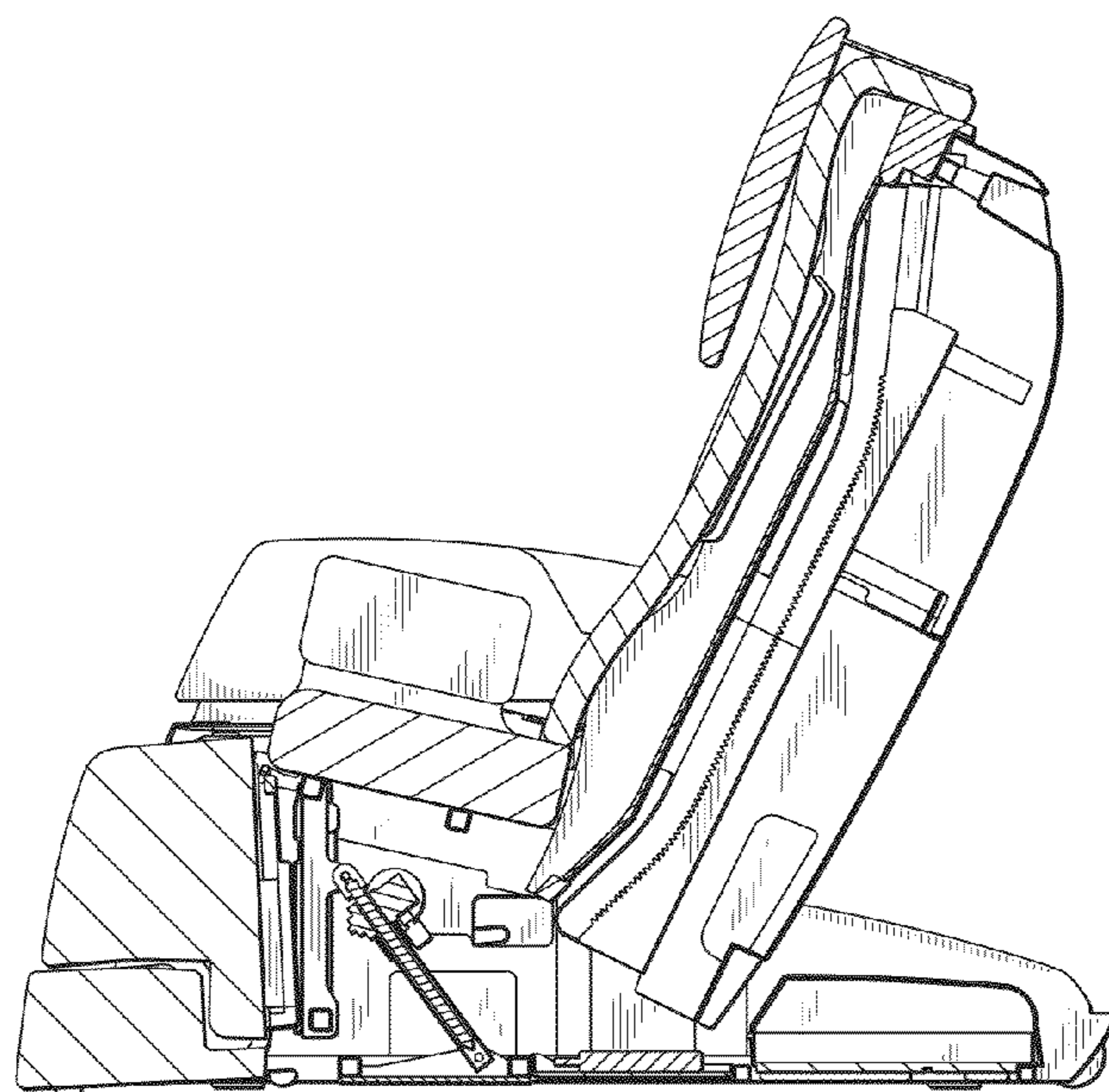


FIG.9

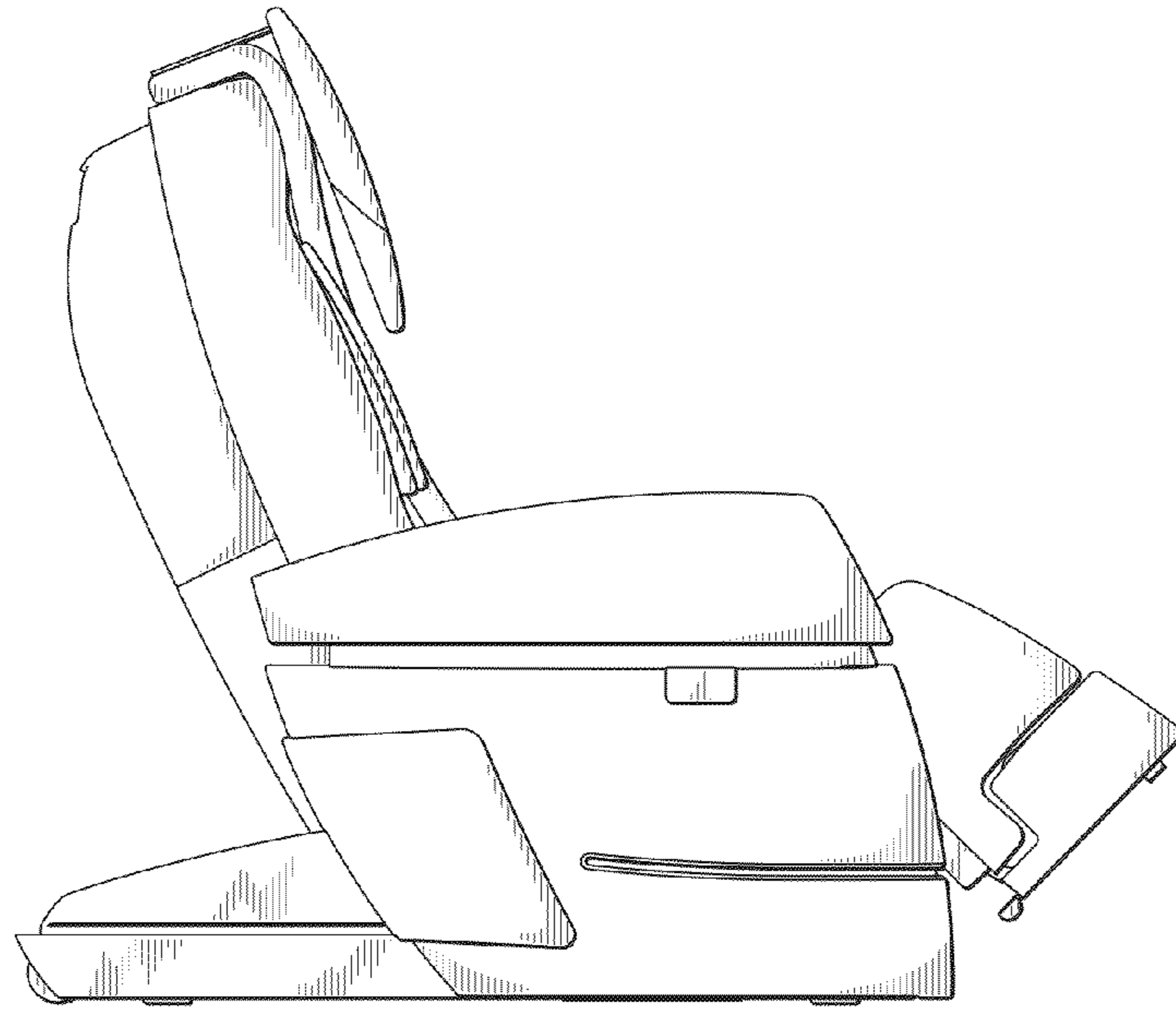


FIG.10

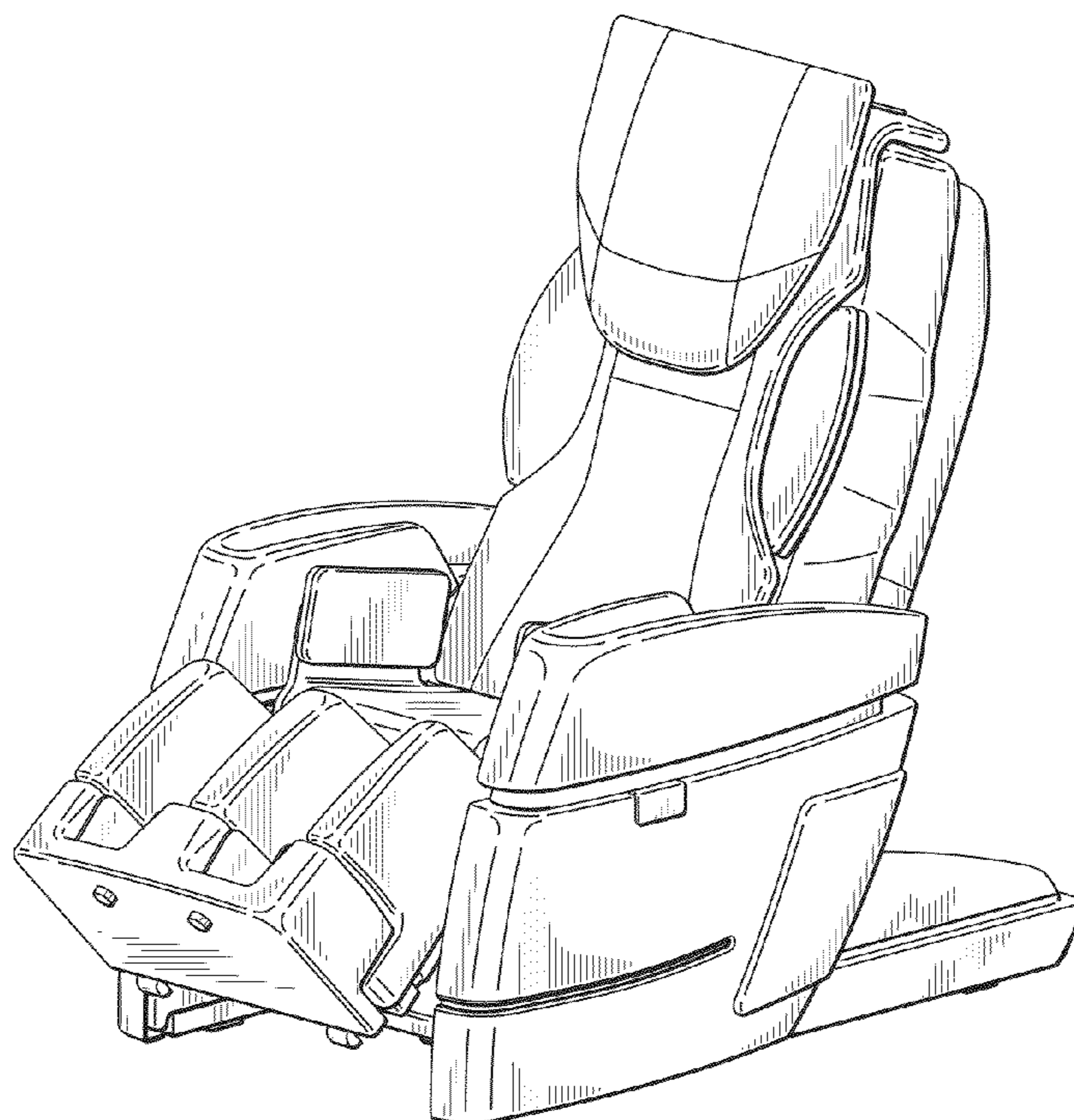


FIG.11

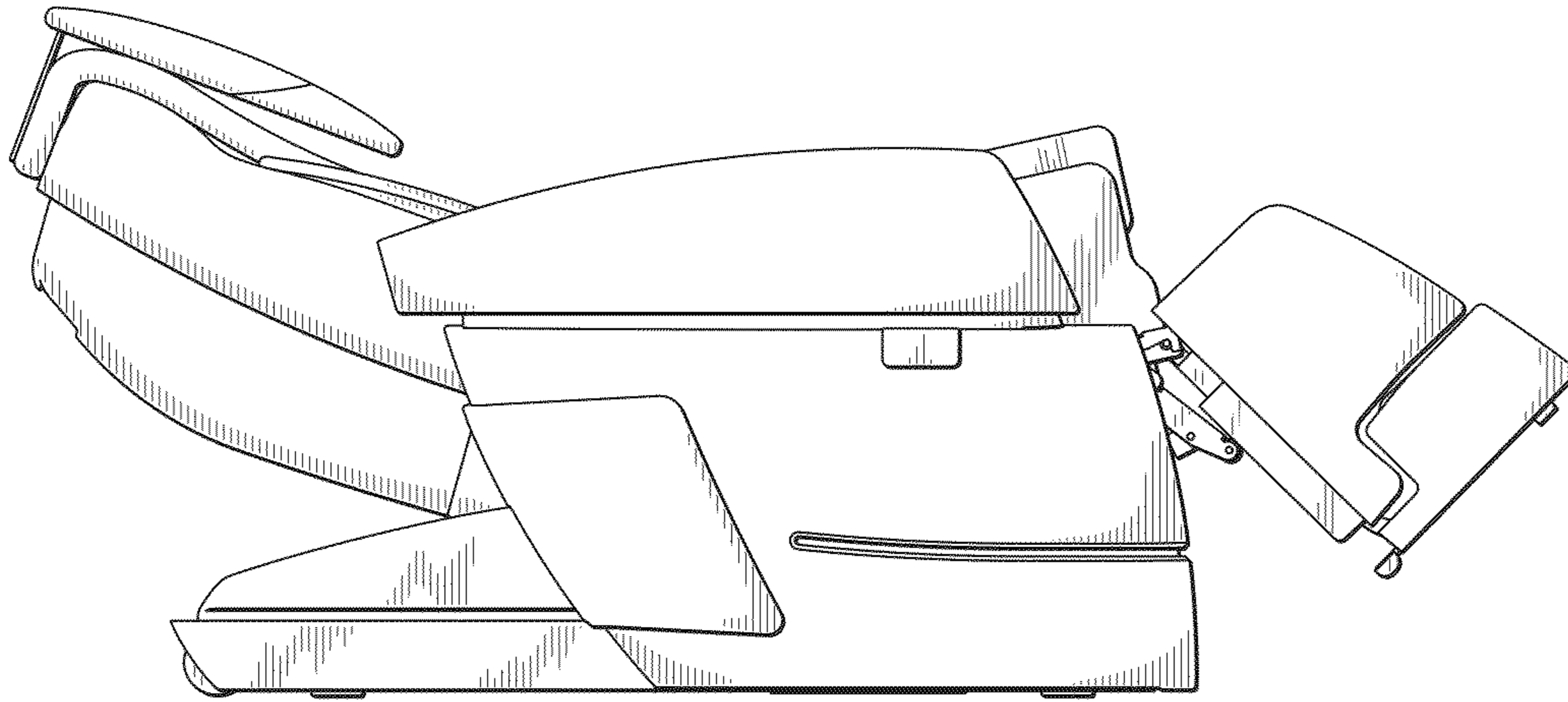


FIG.12

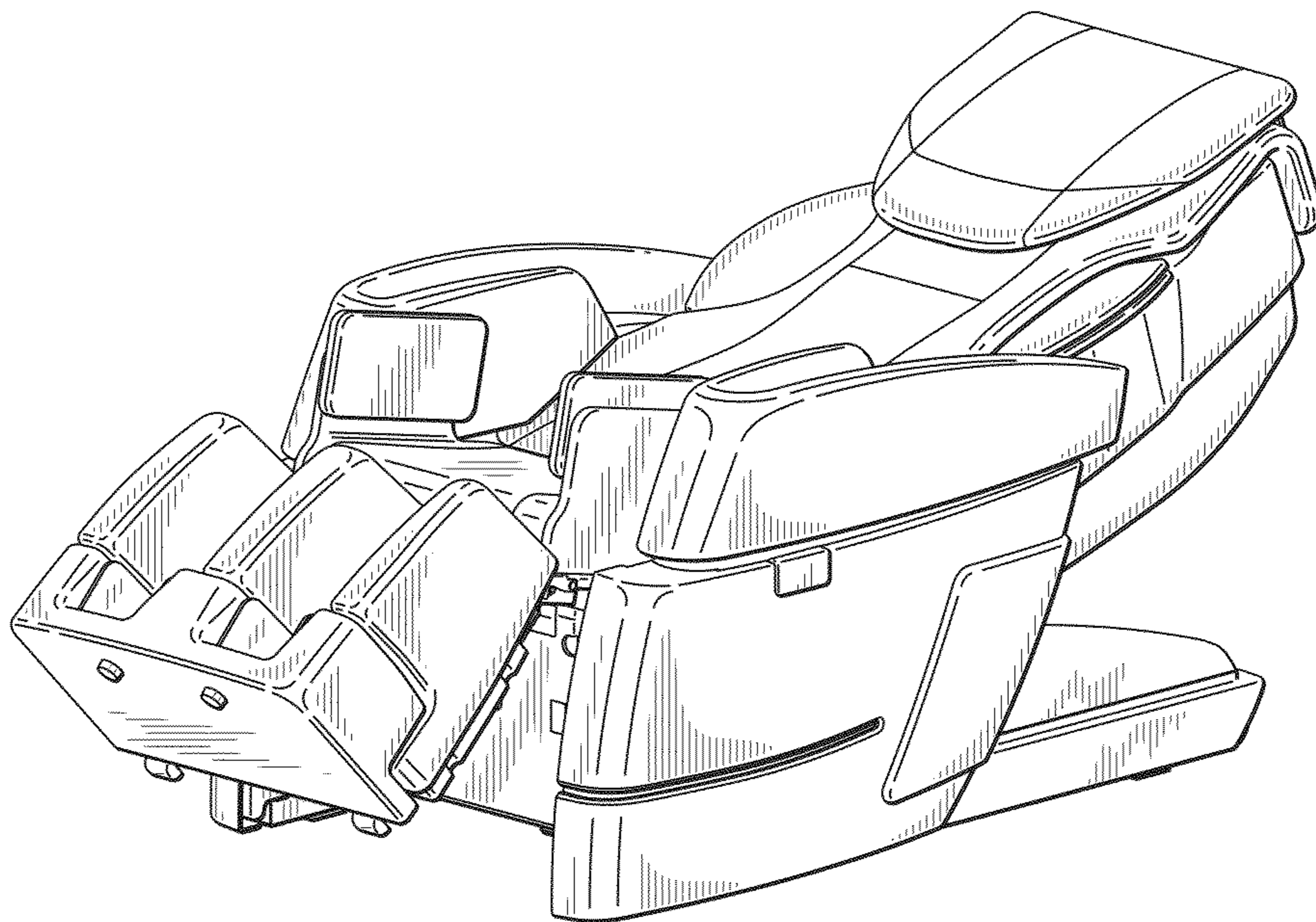


FIG.13

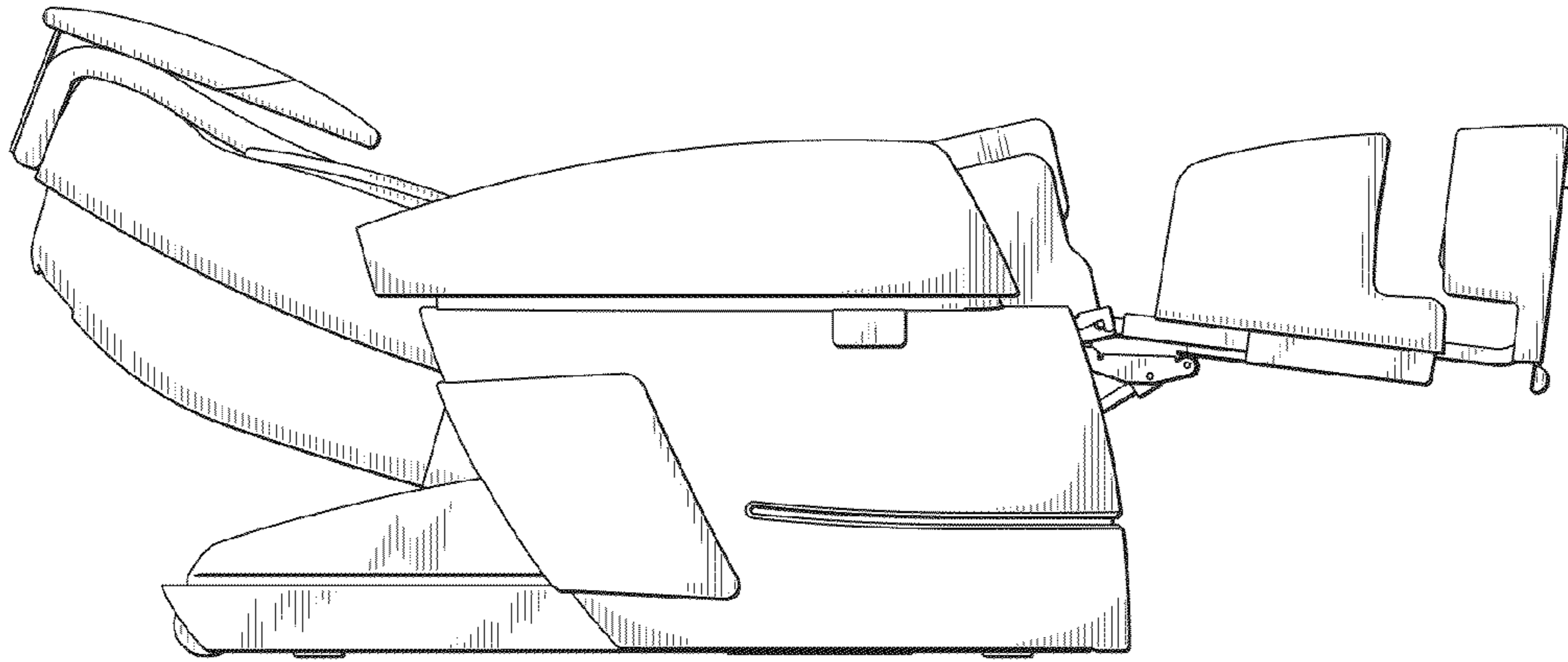


FIG.14

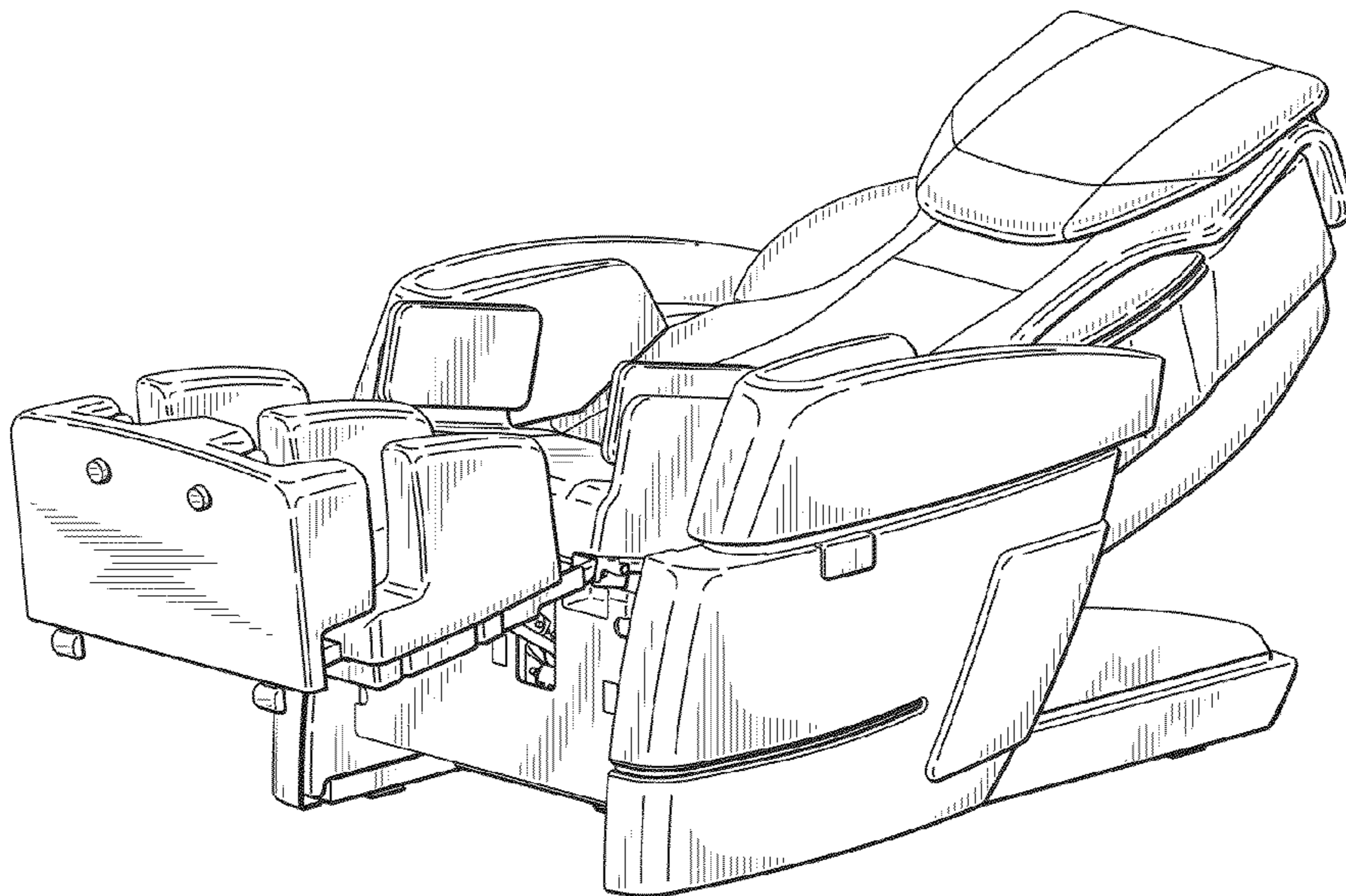


FIG.15

