



US00D730071S

(12) **United States Design Patent**  
**Sorel**

(10) **Patent No.:** **US D730,071 S**

(45) **Date of Patent:** **\*\* May 26, 2015**

(54) **BENCH**

(71) Applicant: **LANDSCAPE FORMS, INC.**,  
Kalamazoo, MI (US)

(72) Inventor: **Jess Allen Sorel**, Oakland, CA (US)

(73) Assignee: **LANDSCAPE FORMS, INC.**,  
Kalamazoo, MI (US)

(\*\*) Term: **14 Years**

(21) Appl. No.: **29/513,964**

(22) Filed: **Jan. 7, 2015**

**Related U.S. Application Data**

(62) Division of application No. 29/478,286, filed on Jan. 3, 2014.

(51) **LOC (10) Cl.** ..... **06-01**

(52) **U.S. Cl.**  
USPC ..... **D6/349**

(58) **Field of Classification Search**

CPC ..... A47C 3/18-3/20; A47C 5/02; A47C 9/00;  
A47C 11/00; A47C 13/00; A47C 9/06;  
A47C 7/16  
USPC ..... D6/330, 336-341, 346, 349-355, 357,  
D6/362, 364-373, 376, 377, 381, 555, 645,  
D6/656, 658, 665, 674, 675.5, 676, 682.4,  
D6/685-692, 694, 694.2, 704, 705, 707,  
D6/707.8, 707.19, 708, 708.2, 708.23,  
D6/716.1-716.6, 717, 717.2

See application file for complete search history.

(56) **References Cited**

**U.S. PATENT DOCUMENTS**

D221,072 S \* 7/1971 Arenhold ..... D6/349

D347,945 S \* 6/1994 Walters-Leiter ..... D6/353  
D578,784 S \* 10/2008 Balsley ..... D6/355  
D583,577 S \* 12/2008 Wicha ..... D6/349  
D624,335 S \* 9/2010 Lutz et al. .... D6/480  
D703,450 S \* 4/2014 Gelman ..... D6/349

**OTHER PUBLICATIONS**

Strata. [online] Retrieved Dec. 11, 2014 from URL: <[http://www.landscapeforms.com/en-US/LFIBrochures/LF\\_STRATA-Bench\\_Brochure.pdf](http://www.landscapeforms.com/en-US/LFIBrochures/LF_STRATA-Bench_Brochure.pdf)>.\*

\* cited by examiner

*Primary Examiner* — Susan Bennett Hattan

*Assistant Examiner* — Vy Koenig

(74) *Attorney, Agent, or Firm* — Heslin Rothenberg Farley & Mesiti P.C.

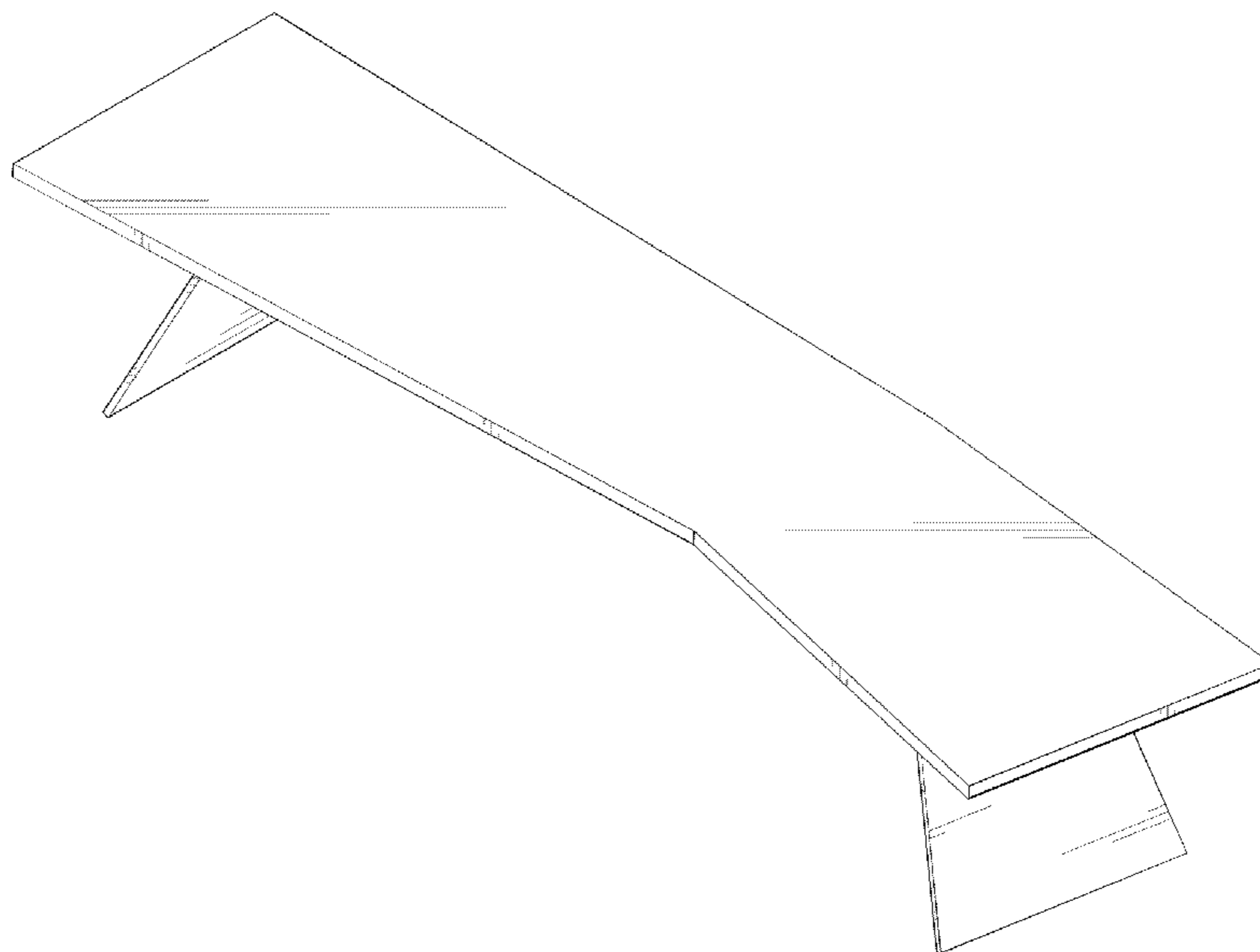
(57) **CLAIM**

The ornamental design for a bench, as shown and described.

**DESCRIPTION**

FIG. 1 is a perspective view of a first embodiment of the bench of the present invention;  
FIG. 2 is a front elevation view thereof;  
FIG. 3 is a right side elevation view thereof;  
FIG. 4 is a rear elevation view thereof;  
FIG. 5 is a top plan view thereof;  
FIG. 6 is a left side elevation view thereof;  
FIG. 7 is a perspective view of a second embodiment of the bench of the present invention;  
FIG. 8 is a front elevation view thereof;  
FIG. 9 is a right side elevation view thereof;  
FIG. 10 is a rear elevation view thereof;  
FIG. 11 is a top plan view thereof; and,  
FIG. 12 is a left side elevation view thereof.

**1 Claim, 8 Drawing Sheets**



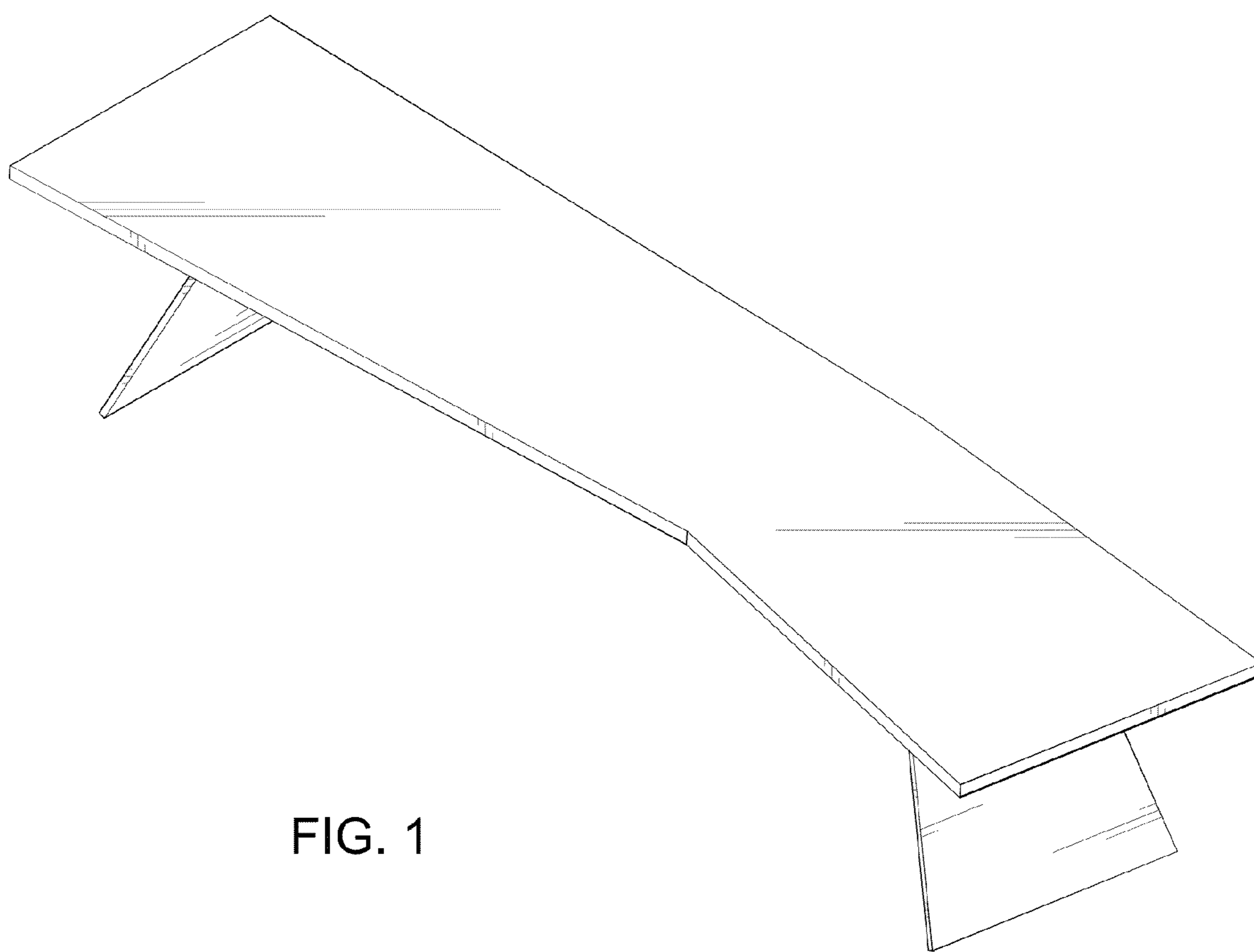


FIG. 1

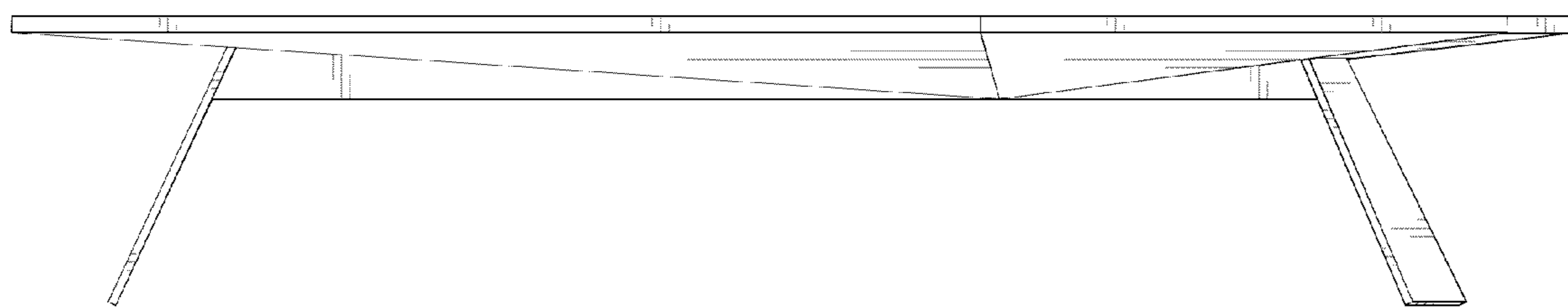


FIG. 2

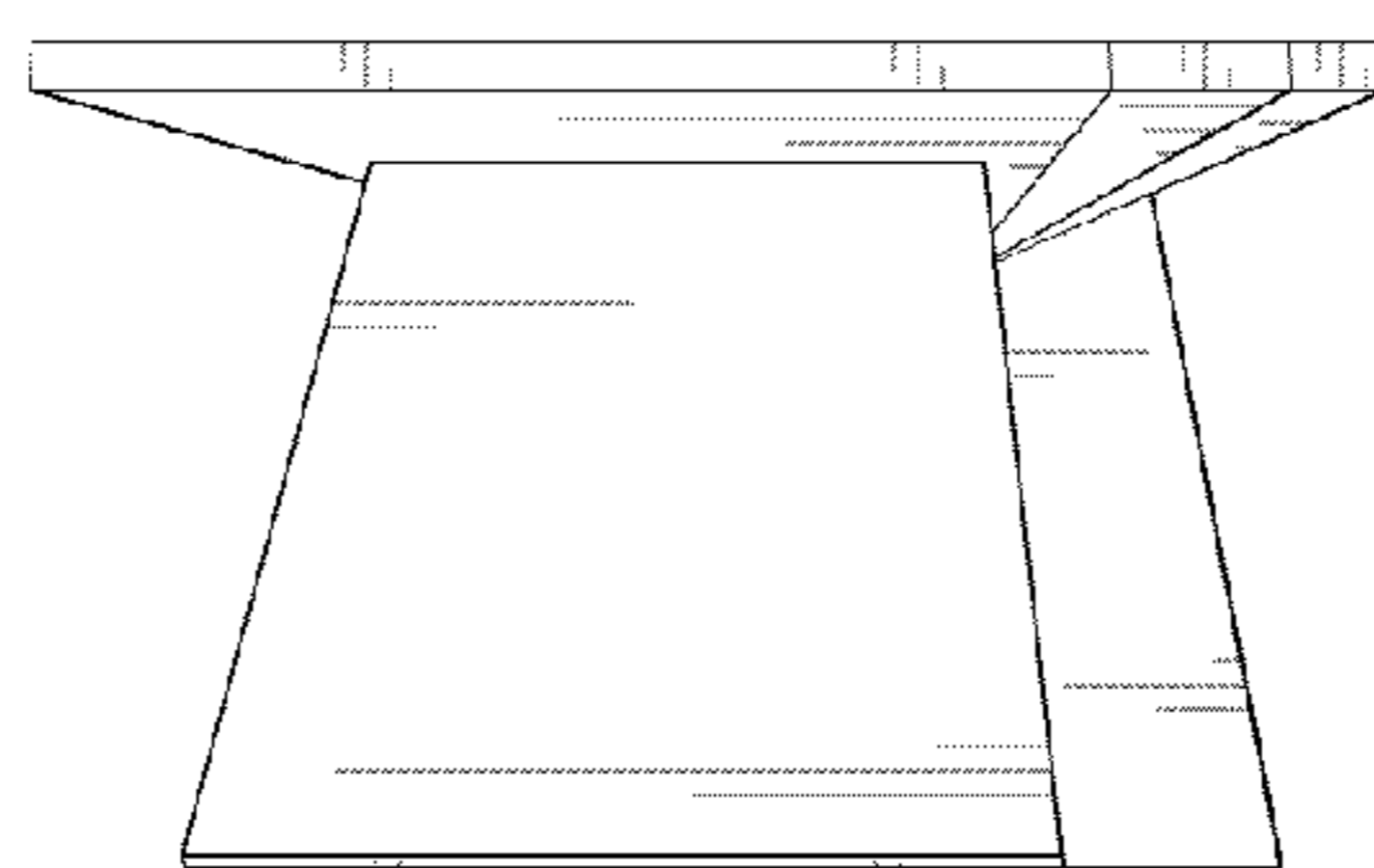


FIG. 3

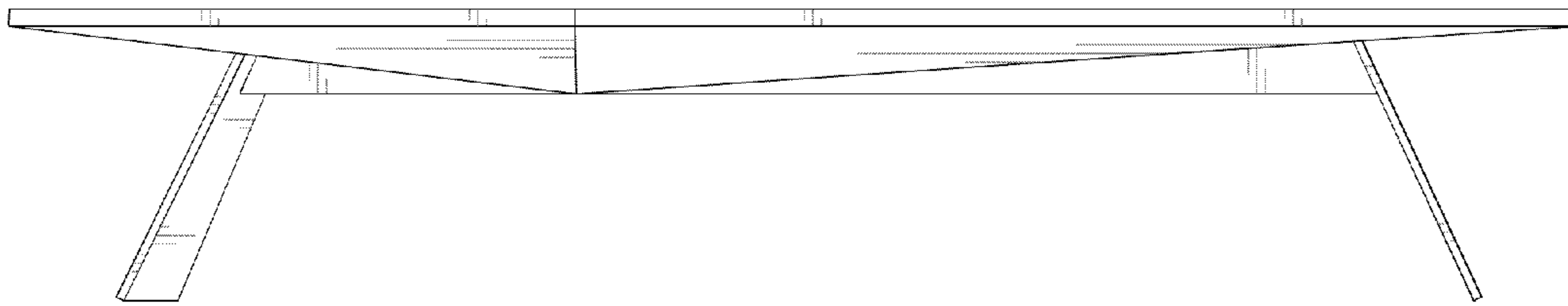


FIG. 4

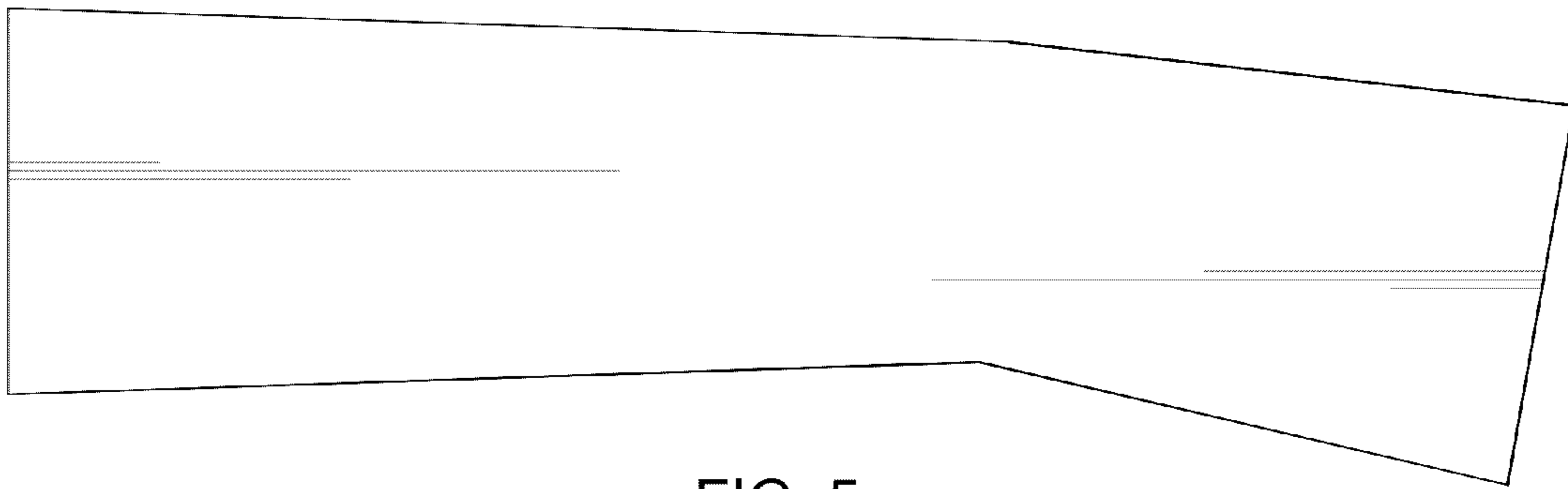


FIG. 5

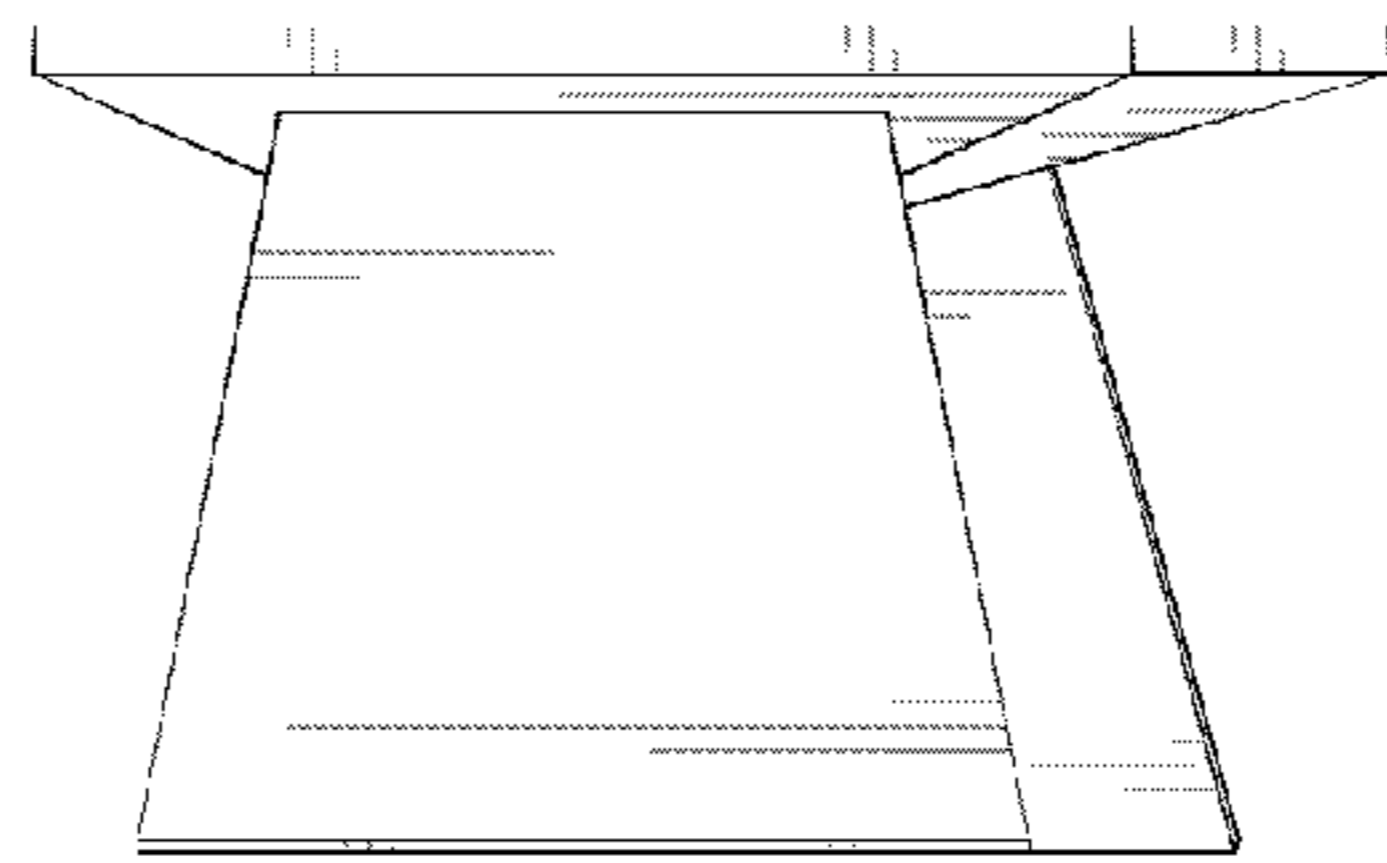


FIG. 6

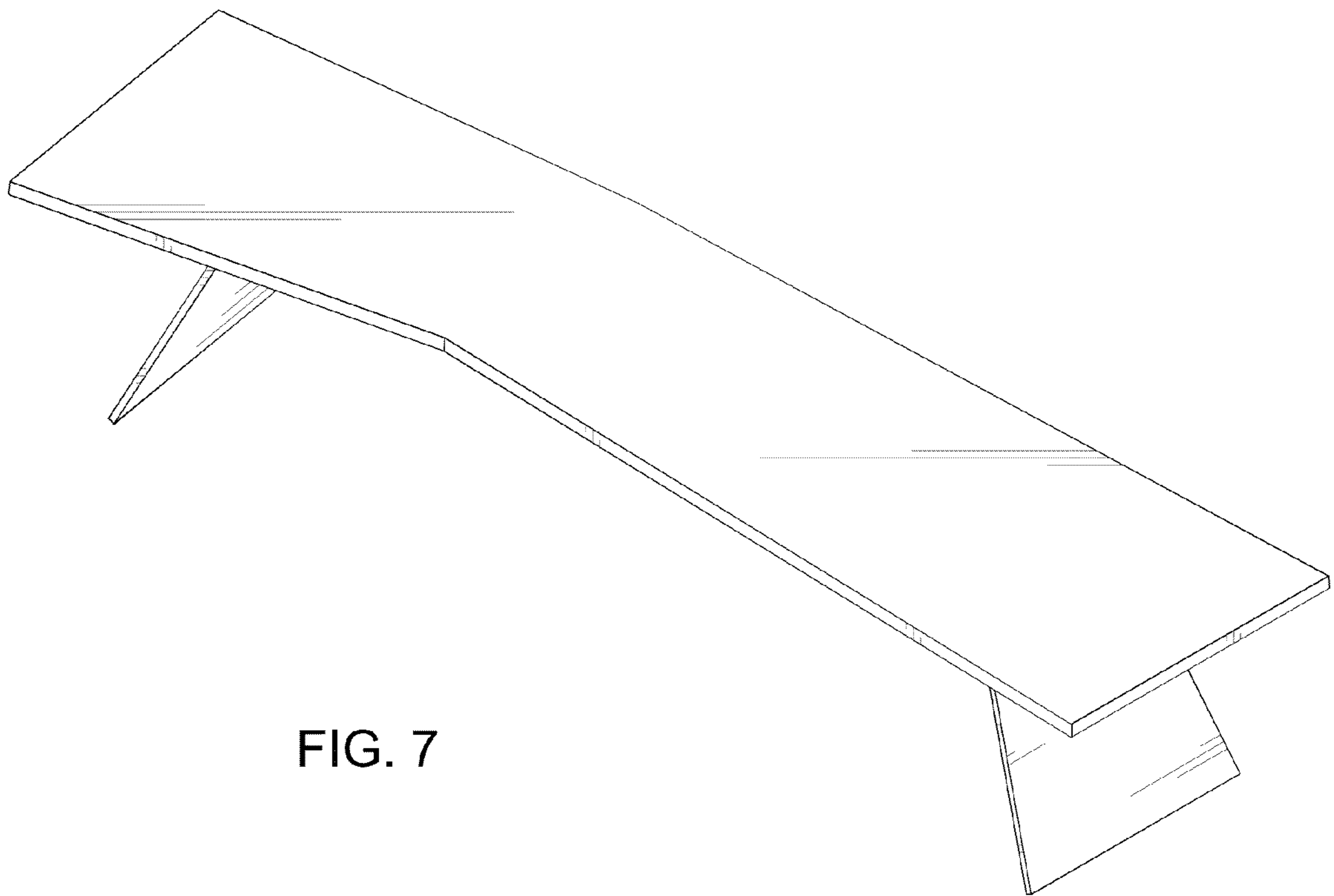


FIG. 7

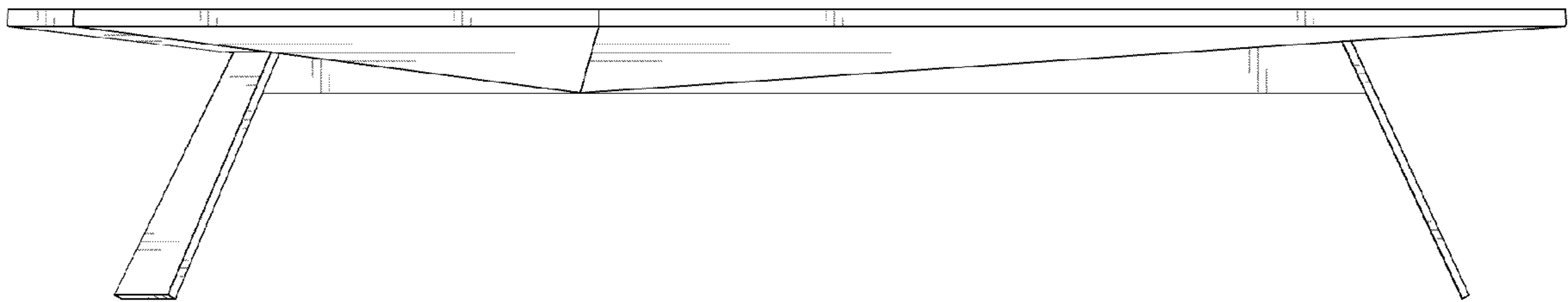


FIG. 8

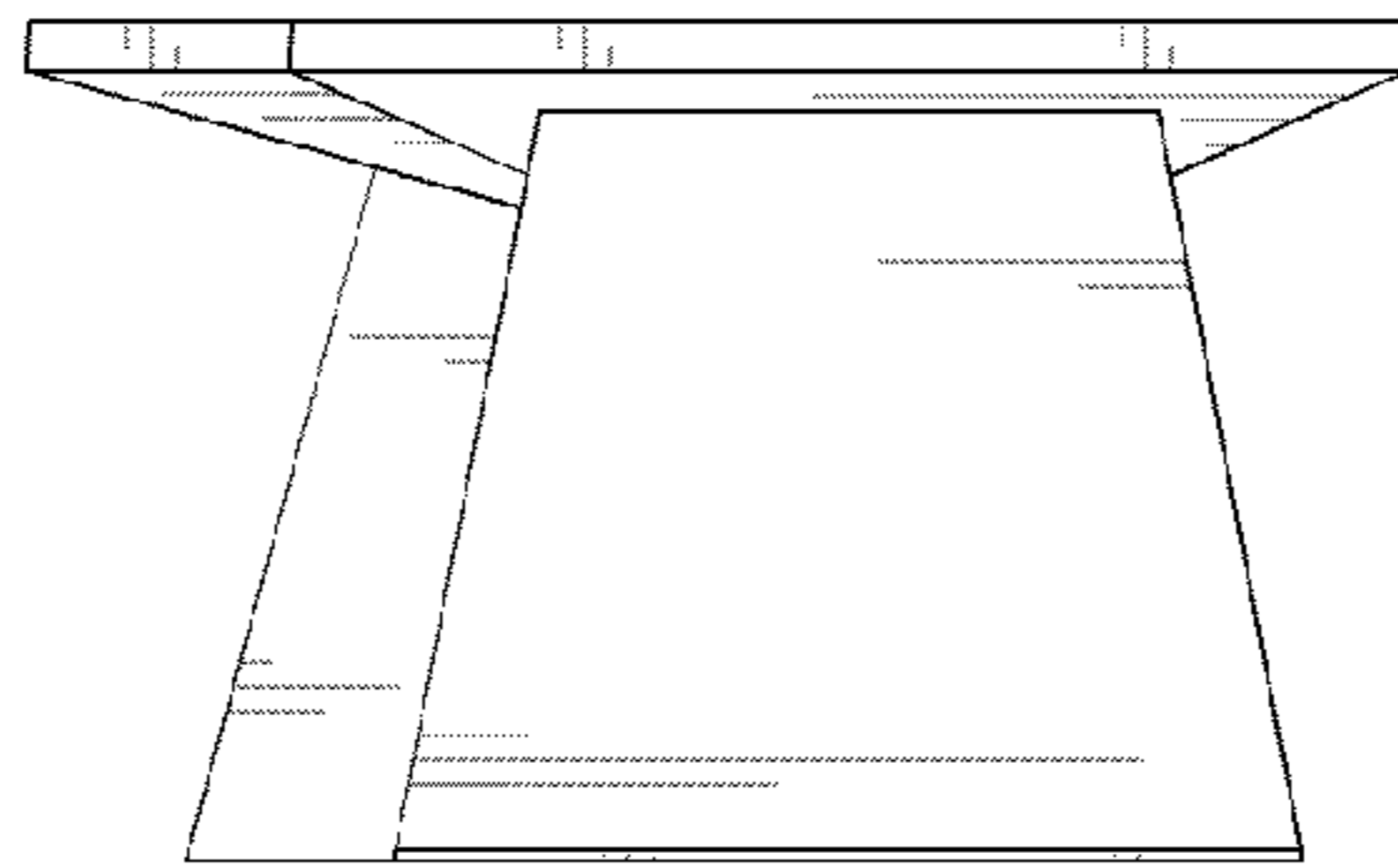


FIG. 9

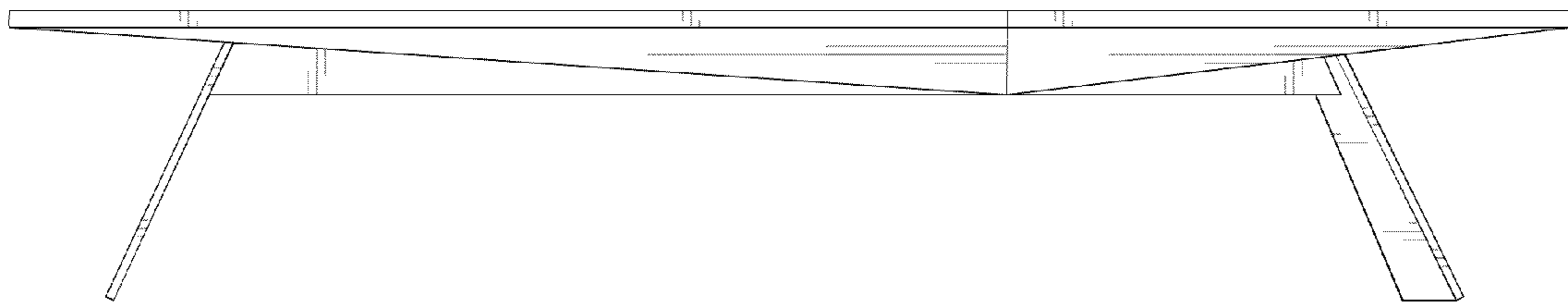


FIG. 10



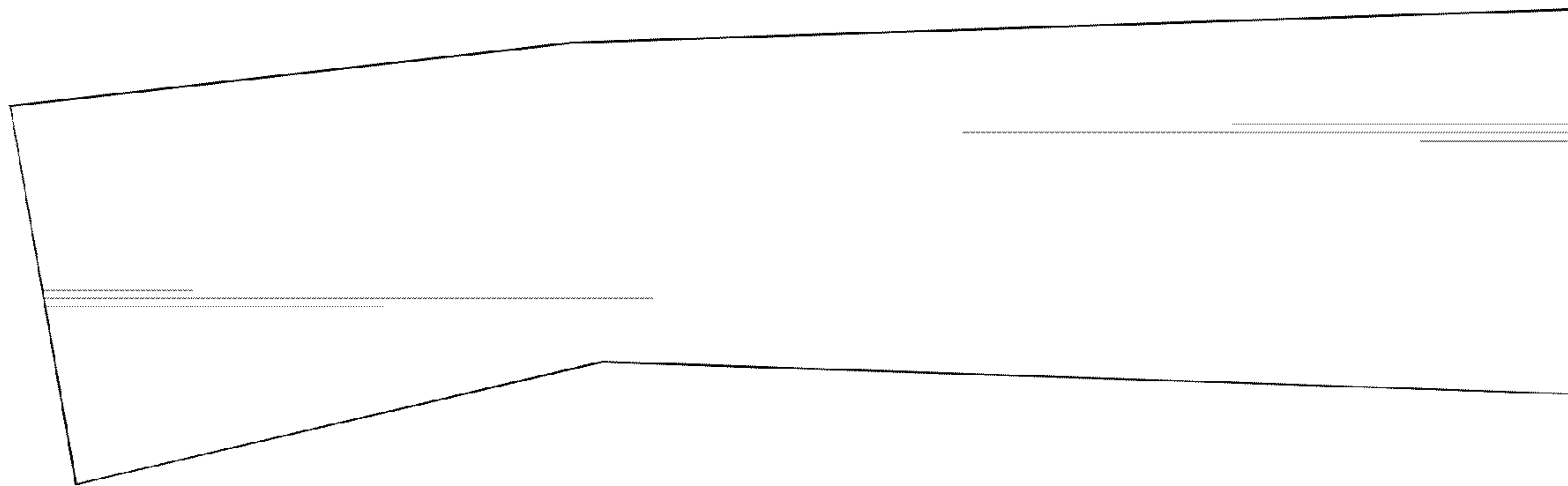


FIG. 11

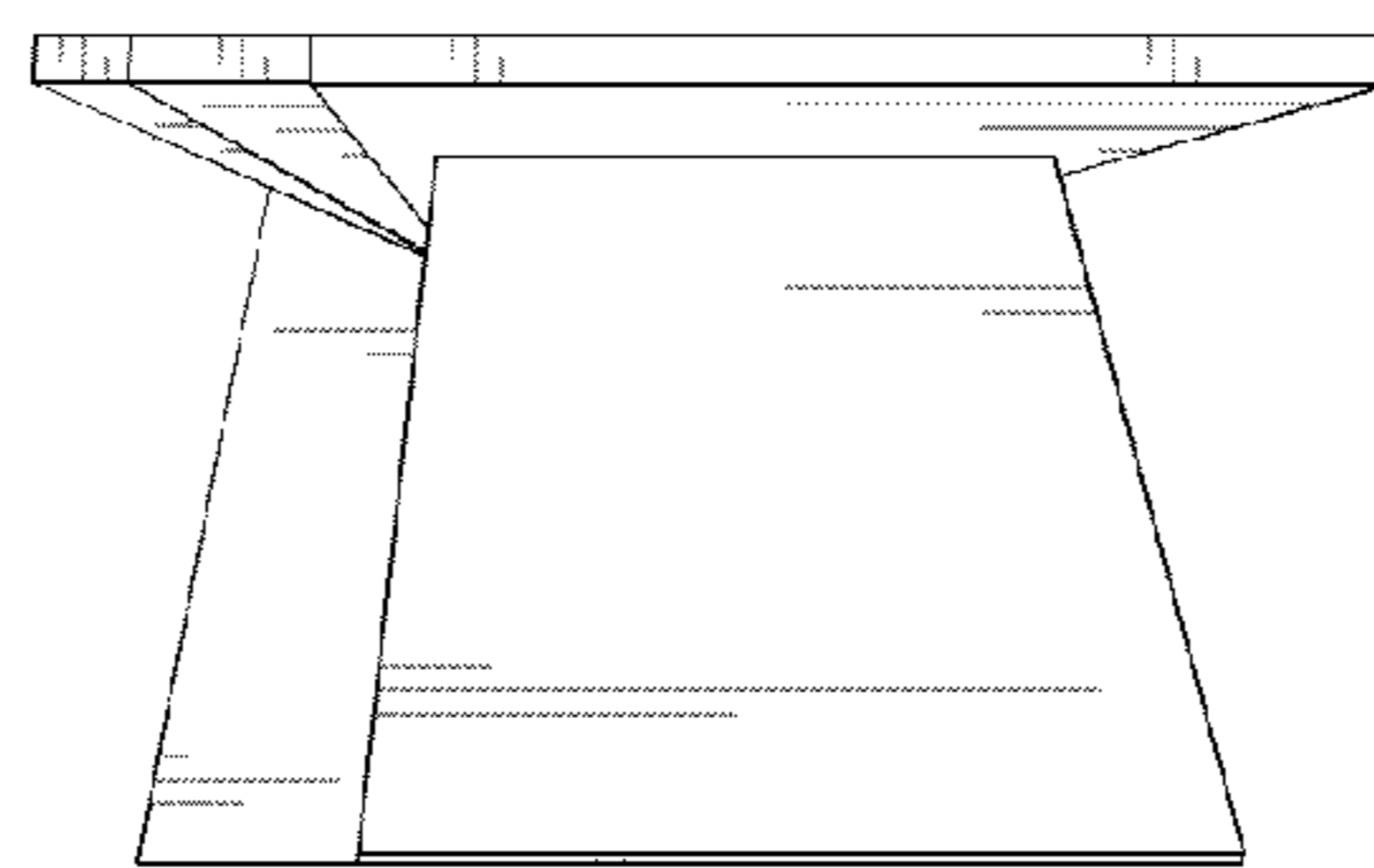


FIG. 12