



US00D730070S

(12) **United States Design Patent**
Daley et al.

(10) **Patent No.:** **US D730,070 S**

(45) **Date of Patent:** **** May 26, 2015**

(54) **HIGH CHAIR**

(56) **References Cited**

(71) Applicant: **Thorley Industries LLC**, Pittsburgh, PA (US)

U.S. PATENT DOCUMENTS

(72) Inventors: **Robert D. Daley**, Pittsburgh, PA (US);
Elijah Wiegmann, Natrona Heights, PA (US);
Jordan Zito, Apollo, PA (US);
Robert Stutler, Pittsburgh, PA (US)

D432,798 S *	10/2000	Boney	D6/339
D619,818 S *	7/2010	Bergkvist	D6/339
D641,180 S *	7/2011	Kennedy et al.	D6/339
D650,598 S *	12/2011	Kennedy et al.	D6/339
D683,143 S *	5/2013	Gold et al.	D6/339
D691,819 S *	10/2013	Kittilsen et al.	D6/339
D699,955 S *	2/2014	Chen	D6/339
D704,460 S *	5/2014	Maurer et al.	D6/339

(73) Assignee: **Thorley Industries LLC**, Pittsburgh, PA (US)

* cited by examiner

(**) Term: **14 Years**

Primary Examiner — Caron D Veynar

Assistant Examiner — Abraham Bahta

(21) Appl. No.: **29/500,955**

(74) *Attorney, Agent, or Firm* — The Webb Law Firm

(22) Filed: **Aug. 29, 2014**

(57) **CLAIM**

The ornamental design for a high chair, as shown and described.

(51) **LOC (10) Cl.** **06-01**

DESCRIPTION

(52) **U.S. Cl.**

USPC **D6/339**

(58) **Field of Classification Search**

CPC B60N 2/2845; B60N 2/2821; A47D 13/02;
A47C 15/004

USPC D6/334–336, 338–339, 491, 333, 716,
D6/716.1–716.7; D12/129; D21/412, 419;
280/30–31; 5/94, 98.1, 99.1, 101, 105,
5/655; 297/183.1–183.4, 184.13, 184.15,
297/184.17, 250.1, 256.1, 255, 256.15,
297/256.16, 174 R, 174 CS, 170–173, 136,
297/148, 27, 61, 68; 4/572.1

FIG. 1 is a front perspective view of a high chair in accordance with the present invention;

FIG. 2 is a front side plan view thereof;

FIG. 3 is a rear side plan view thereof;

FIG. 4 is a right side plan view thereof;

FIG. 5 is a left side plan view thereof;

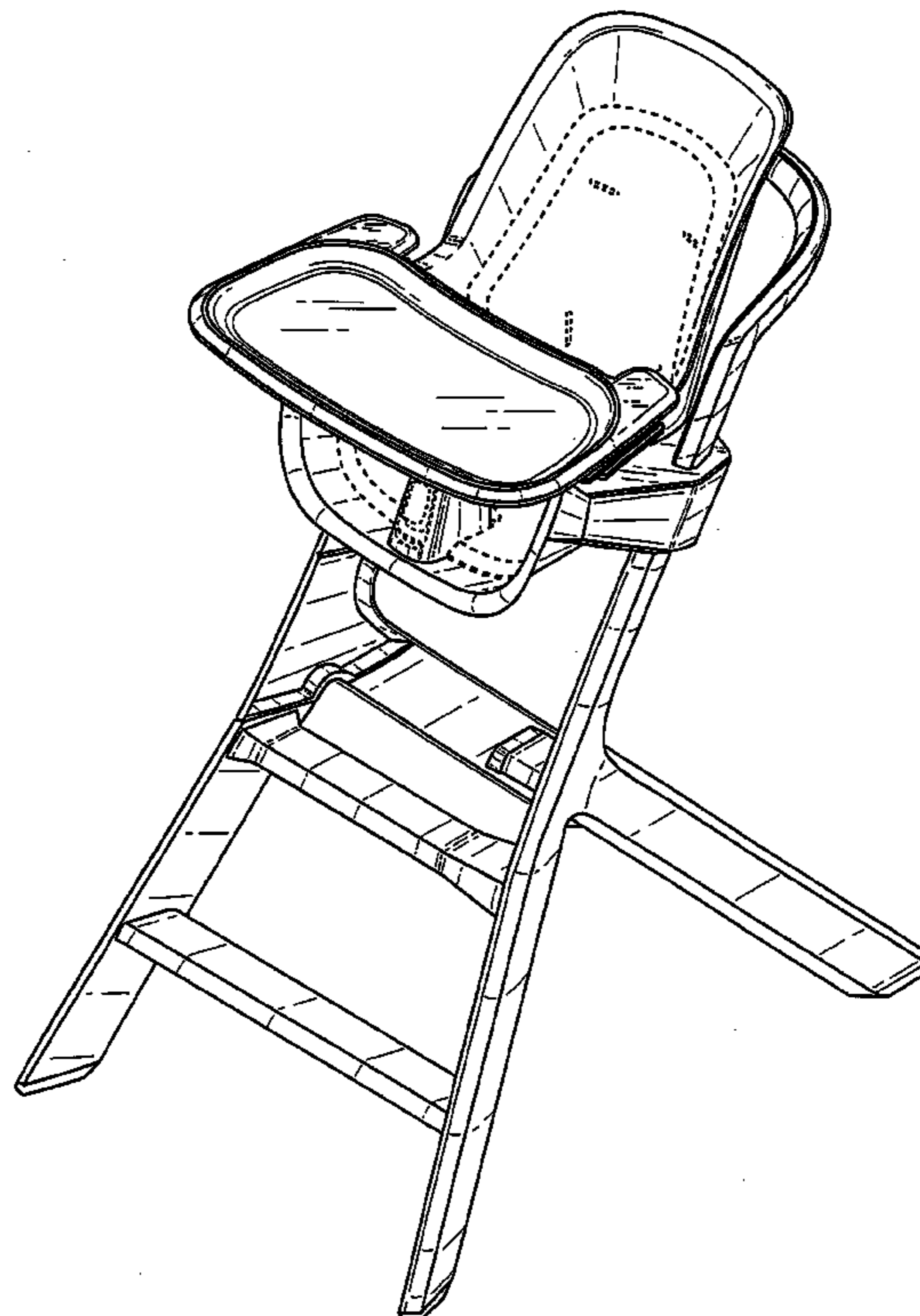
FIG. 6 is a top plan view thereof; and,

FIG. 7 is a bottom plan view thereof.

The broken lines illustrating portions of the high chair form no part of the claimed design.

See application file for complete search history.

1 Claim, 7 Drawing Sheets



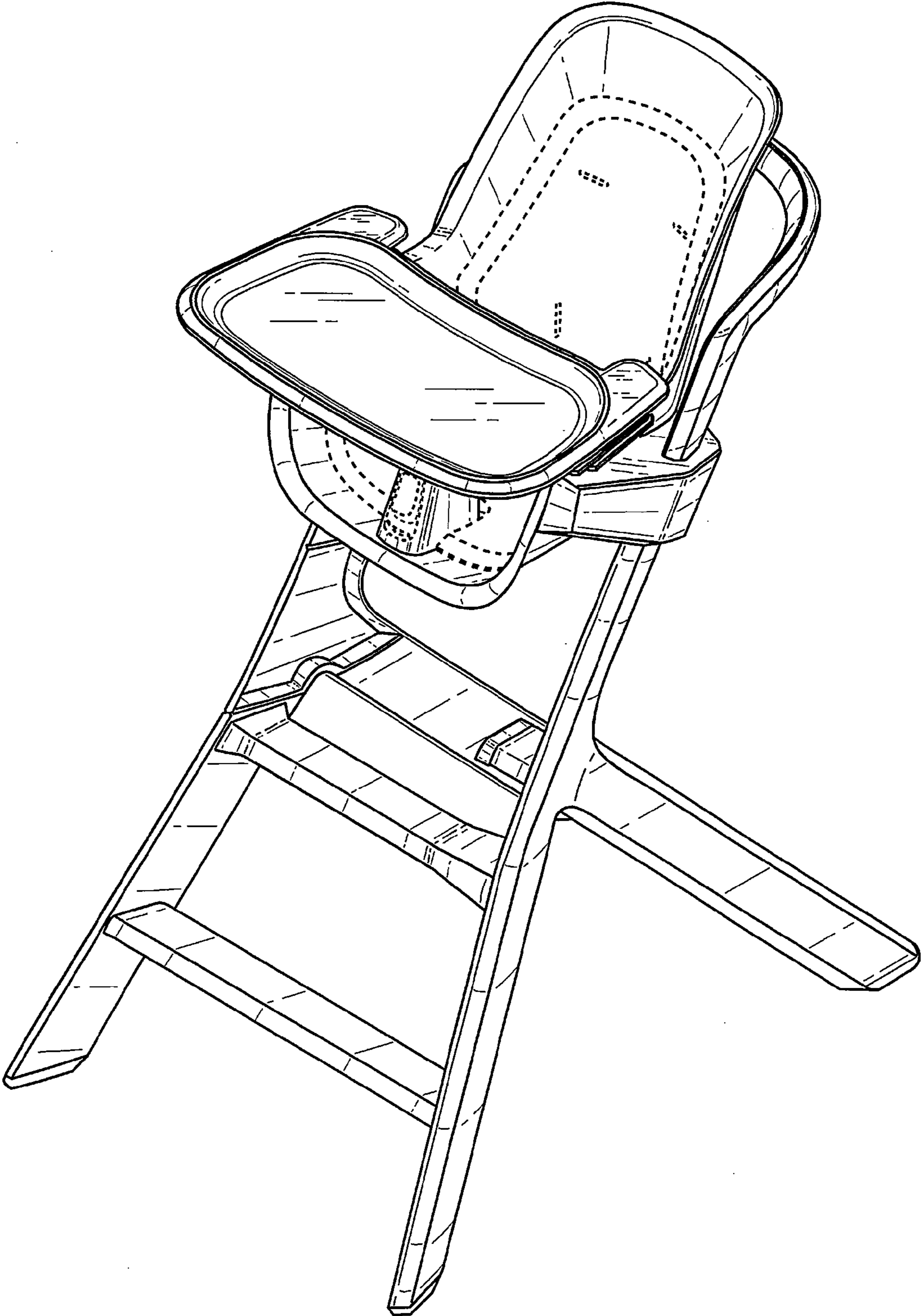


FIG. 1

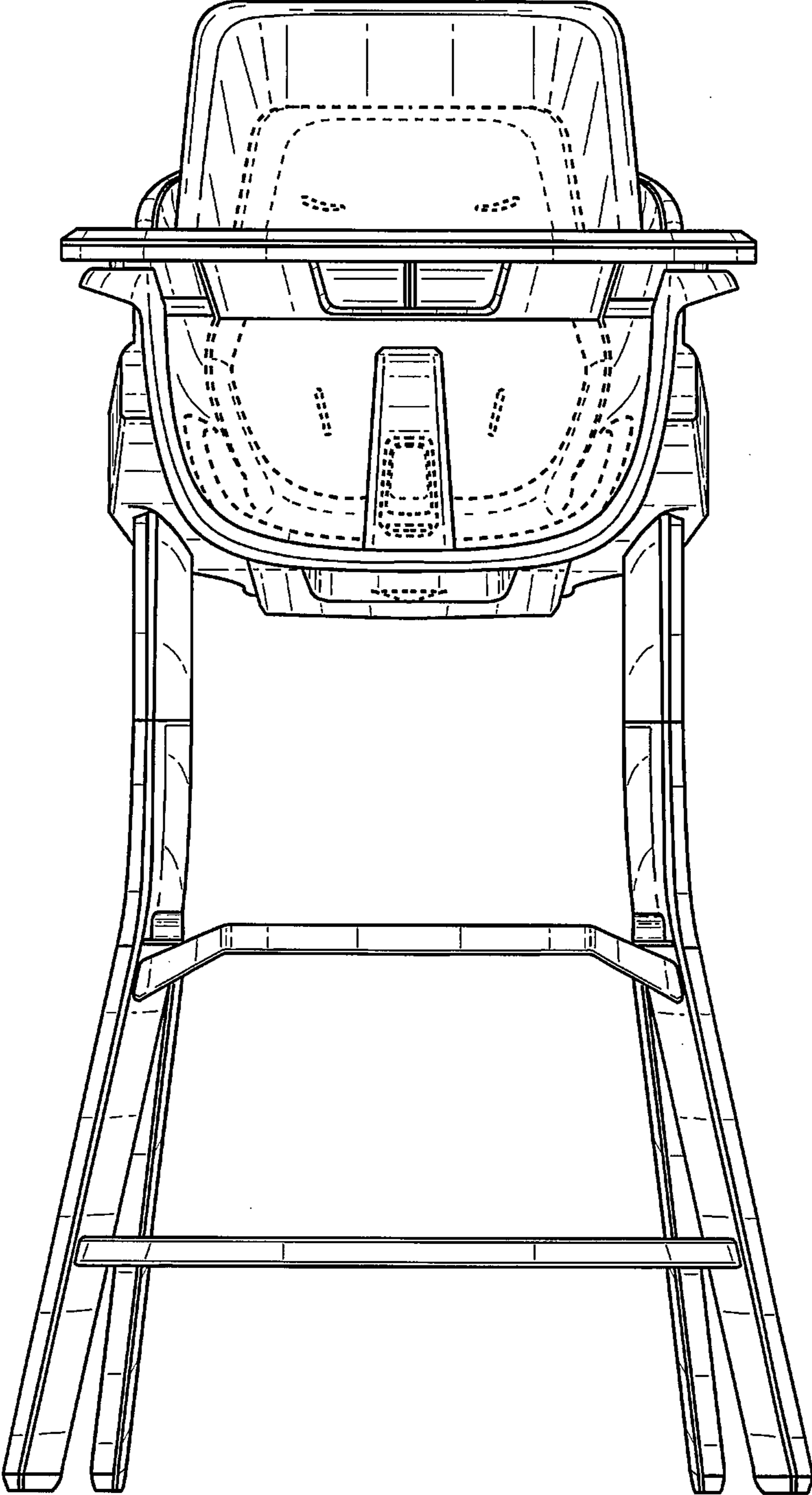


FIG. 2

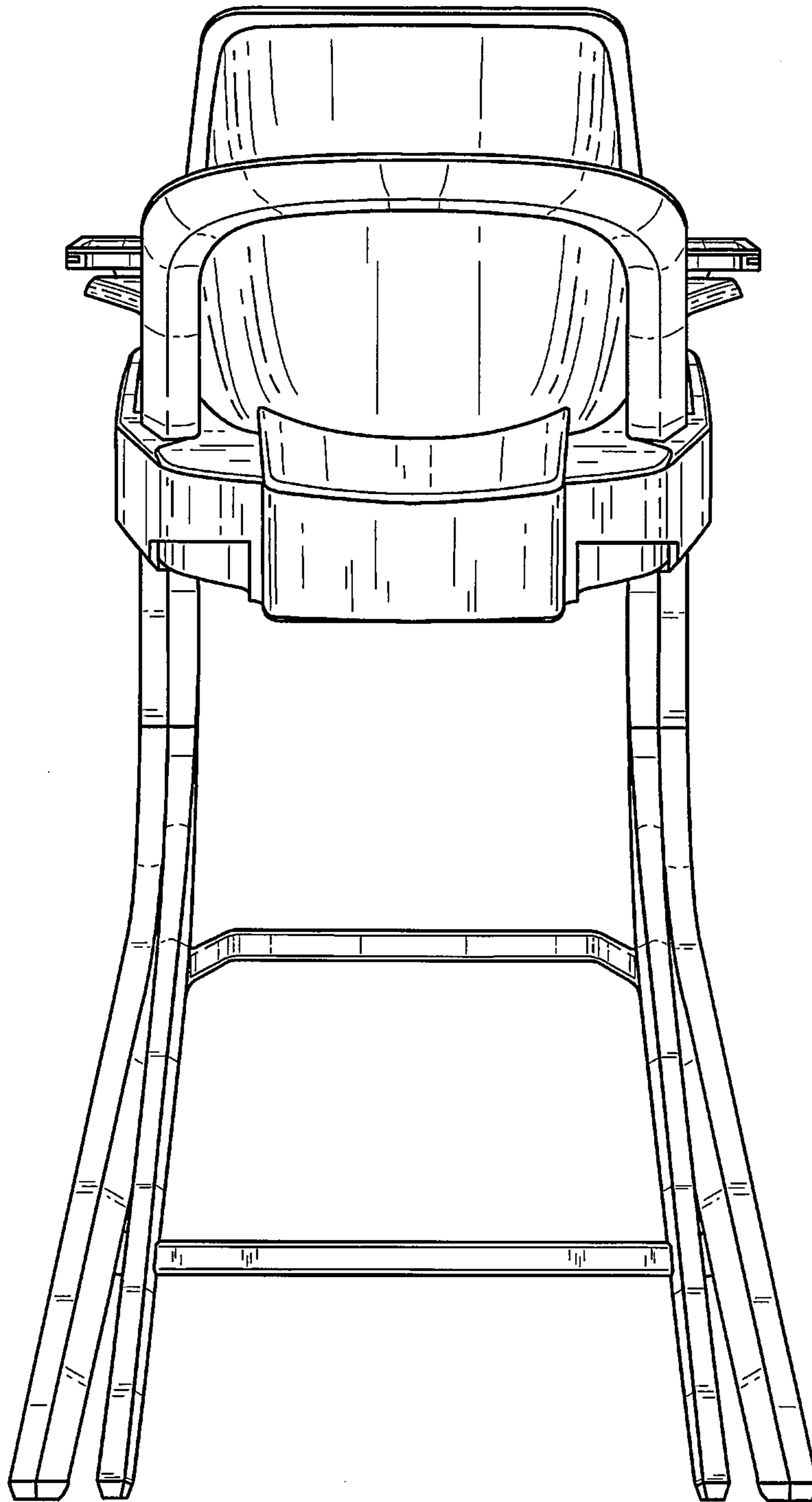


FIG. 3

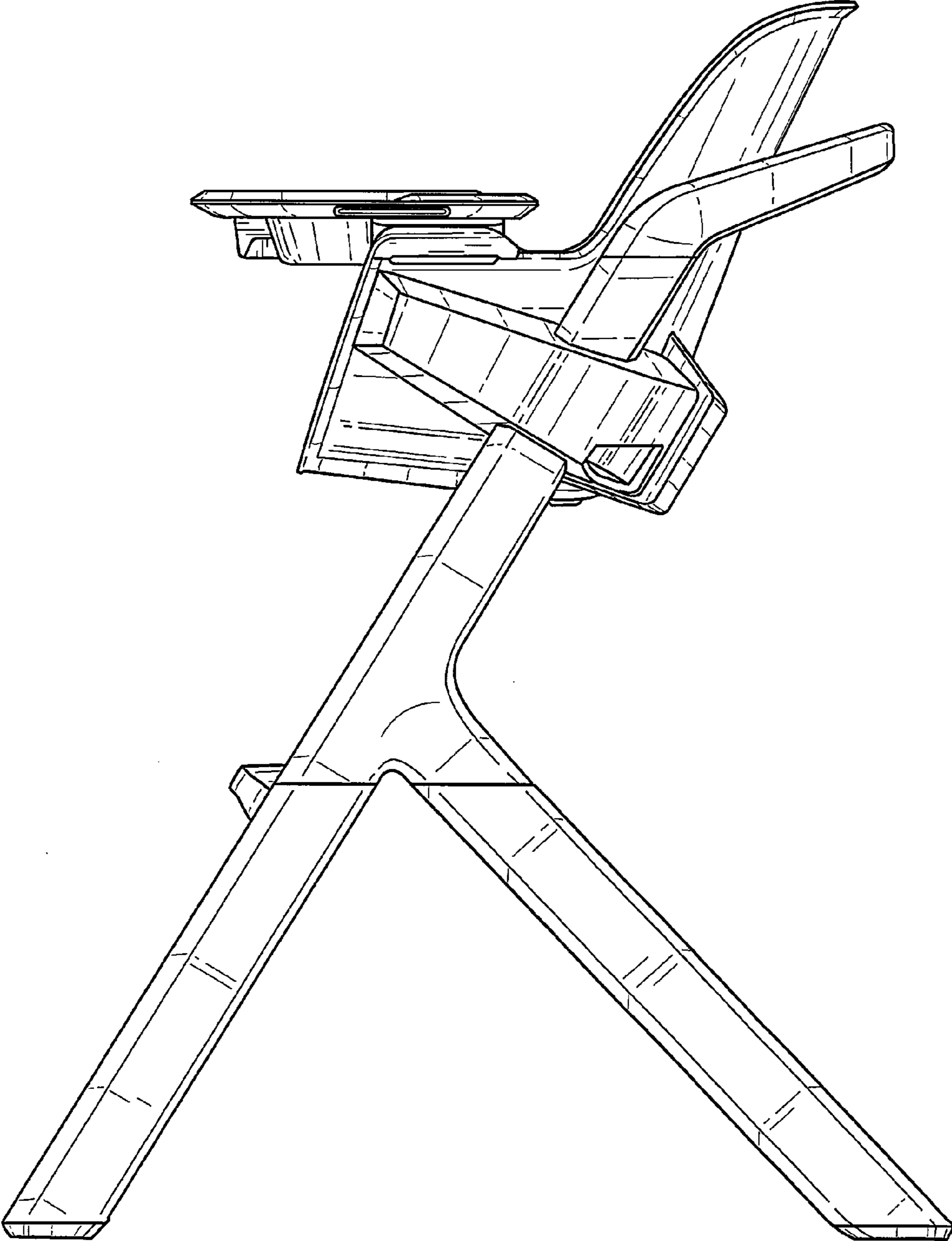


FIG. 4

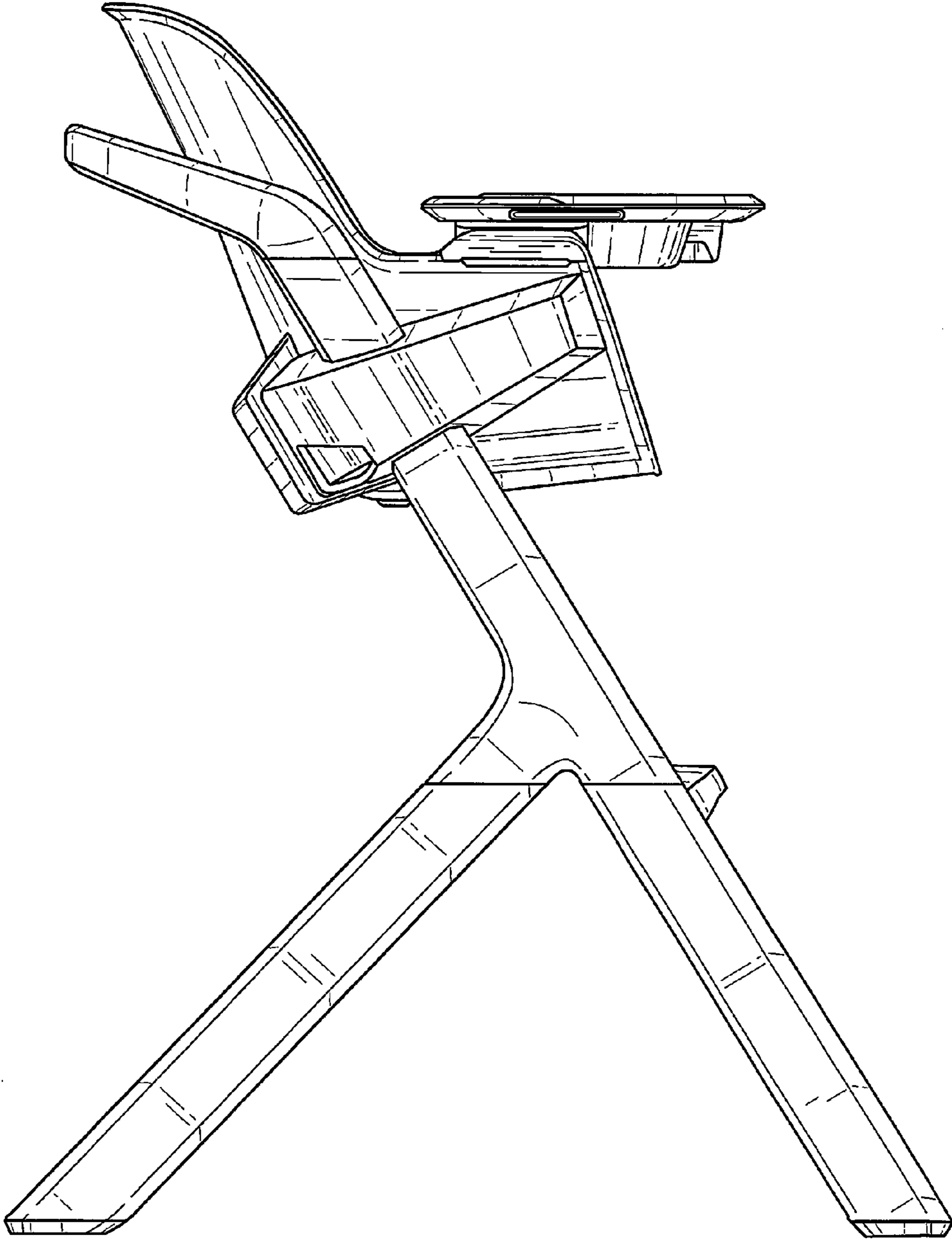


FIG. 5

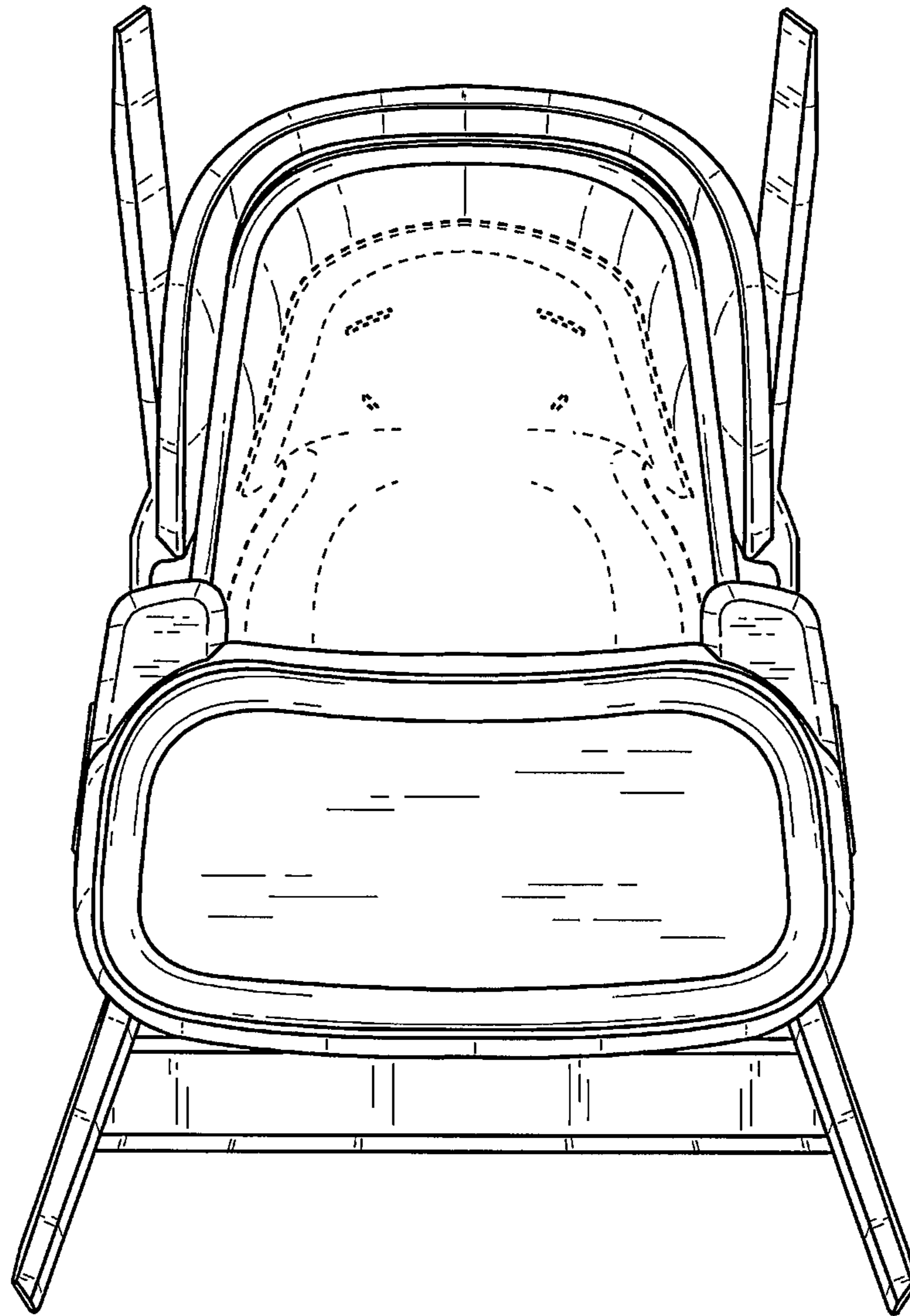


FIG. 6

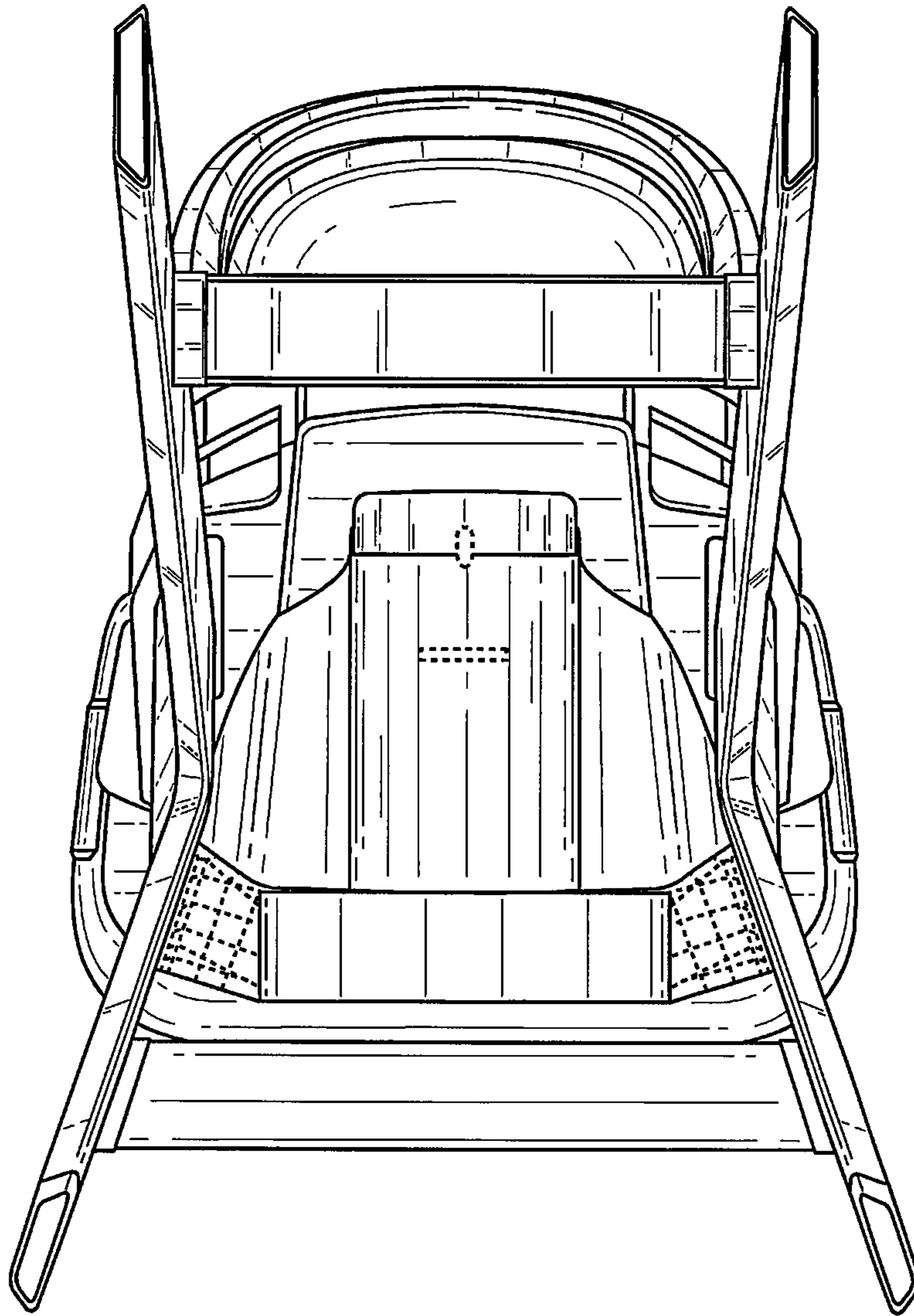


FIG. 7