



US00D730069S

(12) **United States Design Patent**
Thuma et al.

(10) **Patent No.:** **US D730,069 S**

(45) **Date of Patent:** **** May 26, 2015**

(54) **BAR STOOL WITH INTERNAL STORAGE**

(71) Applicant: **Suncast Technologies, LLC**, Palm Beach Gardens, FL (US)

(72) Inventors: **Michael Thuma**, La Grange, IL (US); **Torrence Anderson**, Overland Park, KS (US); **Michael R. Vogler**, Oswego, IL (US)

(73) Assignee: **Suncast Technologies, LLC**, Palm Beach Gardens, FL (US)

(**) Term: **14 Years**

(21) Appl. No.: **29/510,313**

(22) Filed: **Nov. 26, 2014**

(51) **LOC (10) Cl.** **06-01**

(52) **U.S. Cl.**
USPC **D6/336**

(58) **Field of Classification Search**
USPC D6/334, 335, 336, 379, 381, 369, 349;
297/94, 118, 232, 445.1, 448.1, DIG. 7
See application file for complete search history.

(56) **References Cited**

U.S. PATENT DOCUMENTS

| | | | | | | |
|-----------|---|---|---------|----------------|-------|-----------|
| 986,686 | A | * | 3/1911 | Carney | | 297/123 |
| D204,451 | S | * | 4/1966 | Straits | | D6/379 |
| D354,173 | S | * | 1/1995 | Escobal et al. | | D6/335 |
| 5,902,009 | A | * | 5/1999 | Singh et al. | | 297/188.1 |
| D422,422 | S | * | 4/2000 | Black | | D6/369 |
| D427,788 | S | * | 7/2000 | Paul | | D6/336 |
| D432,322 | S | * | 10/2000 | Mandell | | D6/336 |
| D446,956 | S | * | 8/2001 | Black | | D6/369 |
| D457,342 | S | * | 5/2002 | Muller | | D6/370 |
| D509,075 | S | * | 9/2005 | Katz et al. | | D6/336 |
| D539,556 | S | * | 4/2007 | Doughty | | D6/369 |
| D547,079 | S | * | 7/2007 | Wang | | D6/369 |

| | | | | | | |
|----------|---|---|---------|------------------|-------|---------|
| D557,030 | S | * | 12/2007 | Wang | | D6/369 |
| D557,919 | S | * | 12/2007 | Rech | | D6/369 |
| D579,217 | S | * | 10/2008 | Cramer et al. | | D6/334 |
| D586,131 | S | * | 2/2009 | Cramer et al. | | D6/334 |
| D588,370 | S | * | 3/2009 | Vallet et al. | | D6/365 |
| D597,336 | S | * | 8/2009 | Anderson et al. | | D6/381 |
| D626,250 | S | * | 10/2010 | Wenderow et al. | | D24/234 |
| D644,846 | S | * | 9/2011 | Ciani et al. | | D6/334 |
| D654,285 | S | * | 2/2012 | Ballendat | | D6/379 |
| D657,966 | S | * | 4/2012 | Foersom et al. | | D6/334 |
| D658,395 | S | * | 5/2012 | Foersom et al. | | D6/334 |
| D664,778 | S | * | 8/2012 | Pheasant et al. | | D6/334 |
| D664,784 | S | * | 8/2012 | Adir | | D6/369 |
| D687,233 | S | * | 8/2013 | Pedersen et al. | | D6/369 |
| D690,145 | S | * | 9/2013 | Pedersen et al. | | D6/716 |
| D693,591 | S | * | 11/2013 | Pedersen et al. | | D6/379 |
| D694,546 | S | * | 12/2013 | George | | D6/381 |
| D698,562 | S | * | 2/2014 | Hartman et al. | | D6/369 |
| D702,051 | S | * | 4/2014 | Rasenberg et al. | | D6/334 |
| D706,052 | S | * | 6/2014 | Arnon et al. | | D6/369 |

* cited by examiner

Primary Examiner — Sandra Snapp

(74) *Attorney, Agent, or Firm* — McHale & Slavin P.A.

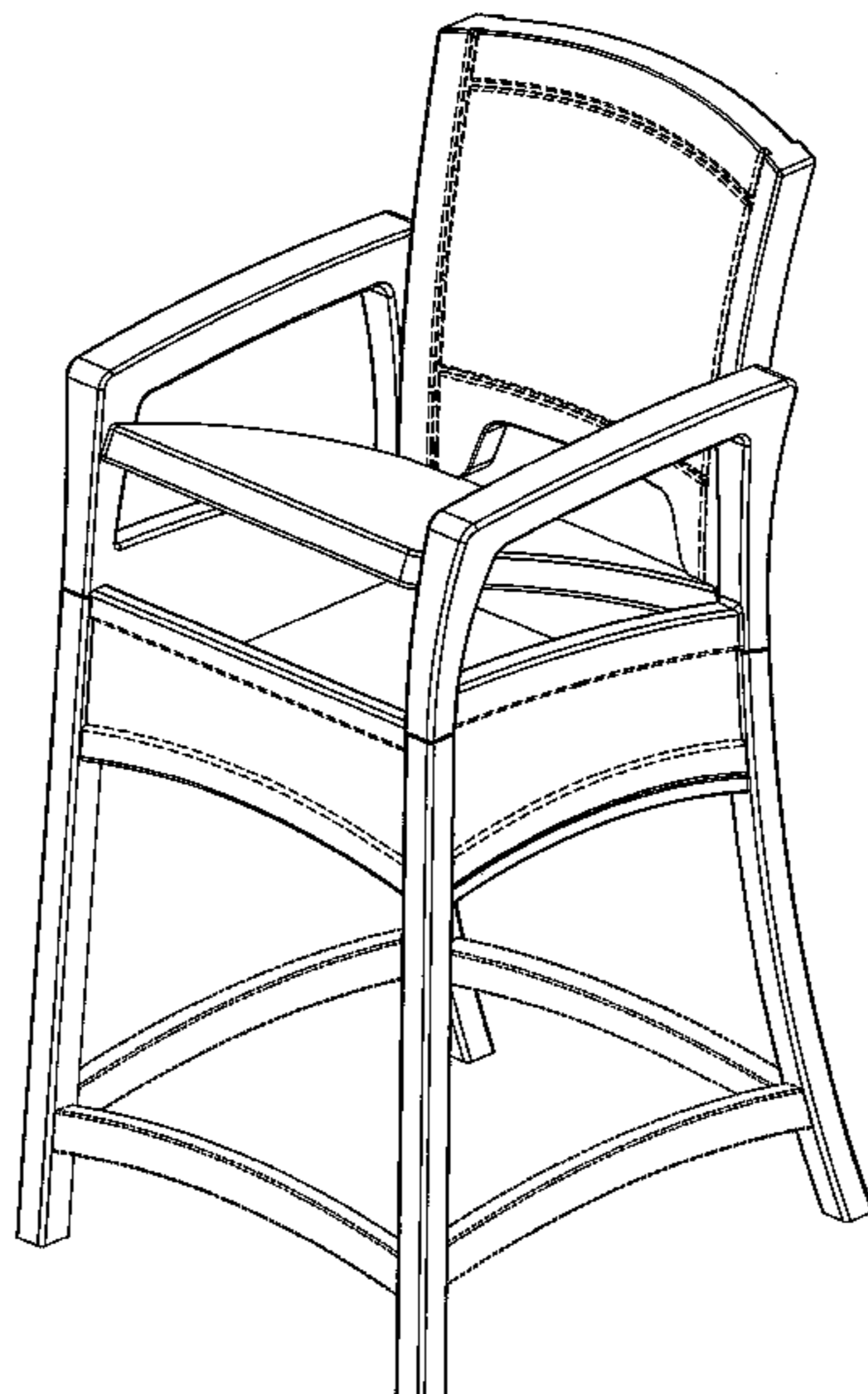
(57) **CLAIM**

The ornamental design for a bar stool with internal storage, as shown and described.

DESCRIPTION

FIG. 1 is a top right perspective view of the bar stool with internal storage of the present invention;
FIG. 2 is a front view thereof;
FIG. 3 is a left side view thereof;
FIG. 4 is a right side view thereof;
FIG. 5 is a top view thereof; and,
FIG. 6 is a top right perspective view thereof, illustrated with the seat in an open position.
The portions of the bar stool with internal storage illustrated in broken lines form no part of the claimed subject matter.

1 Claim, 6 Drawing Sheets



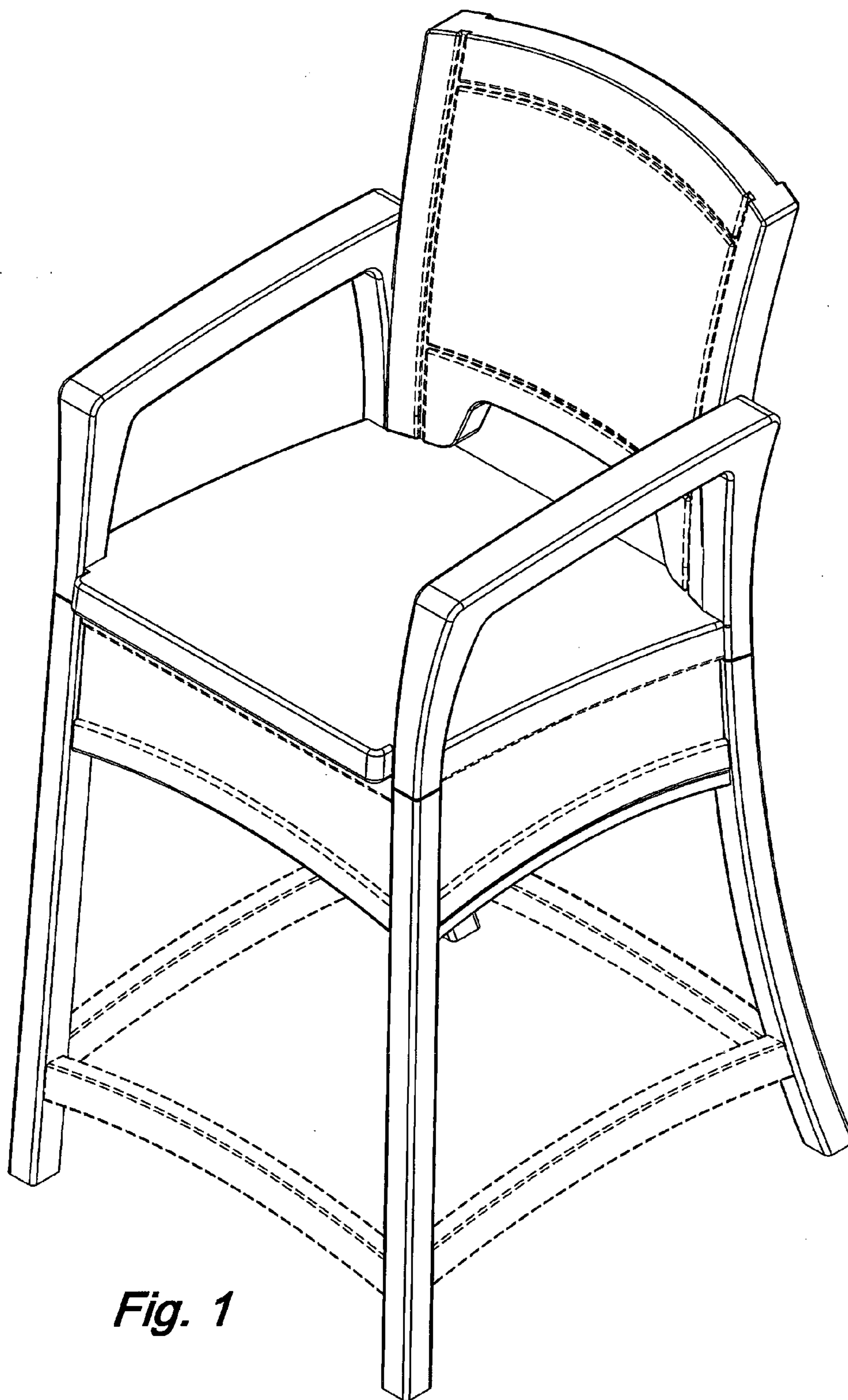


Fig. 1

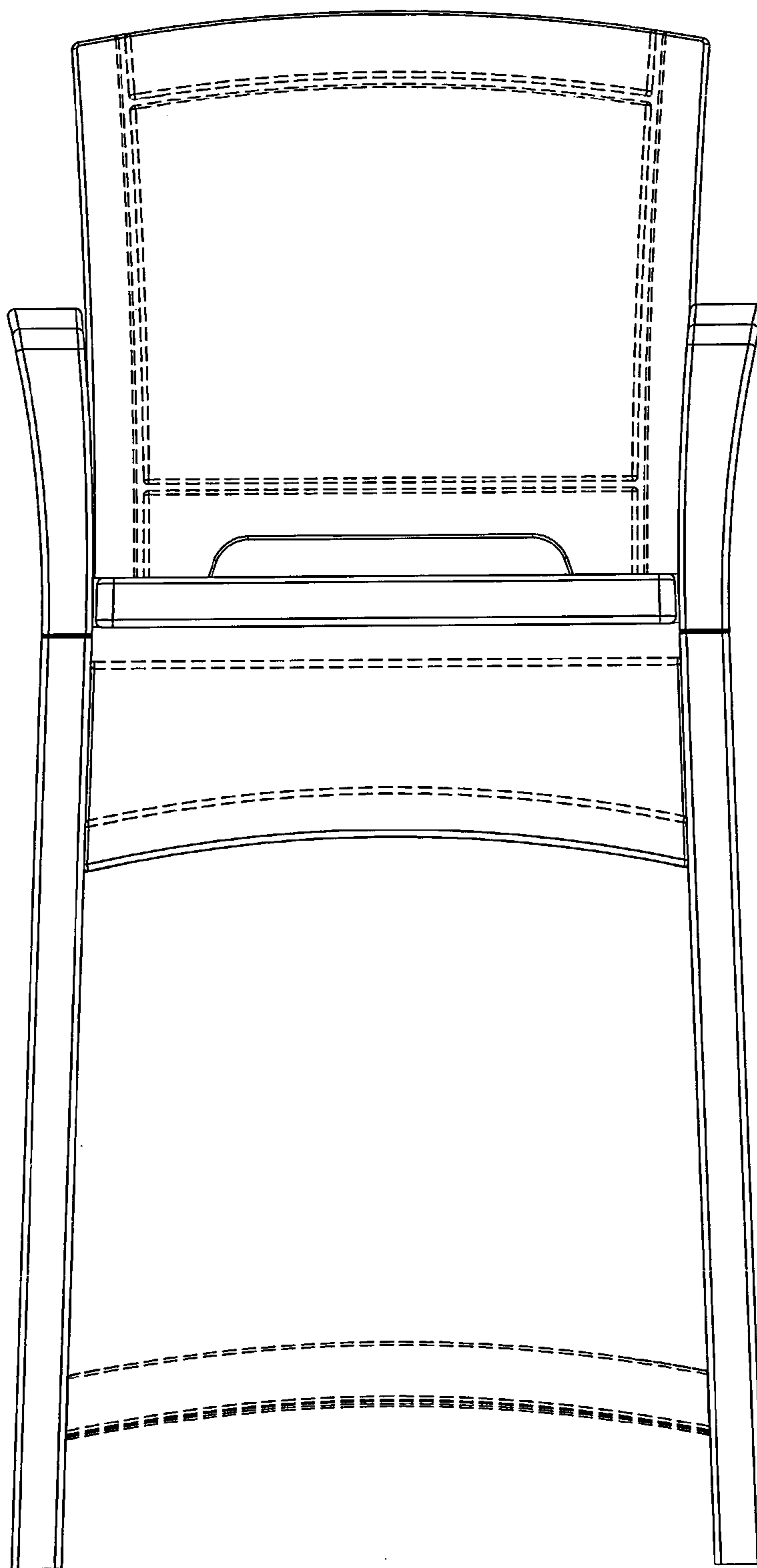


Fig. 2

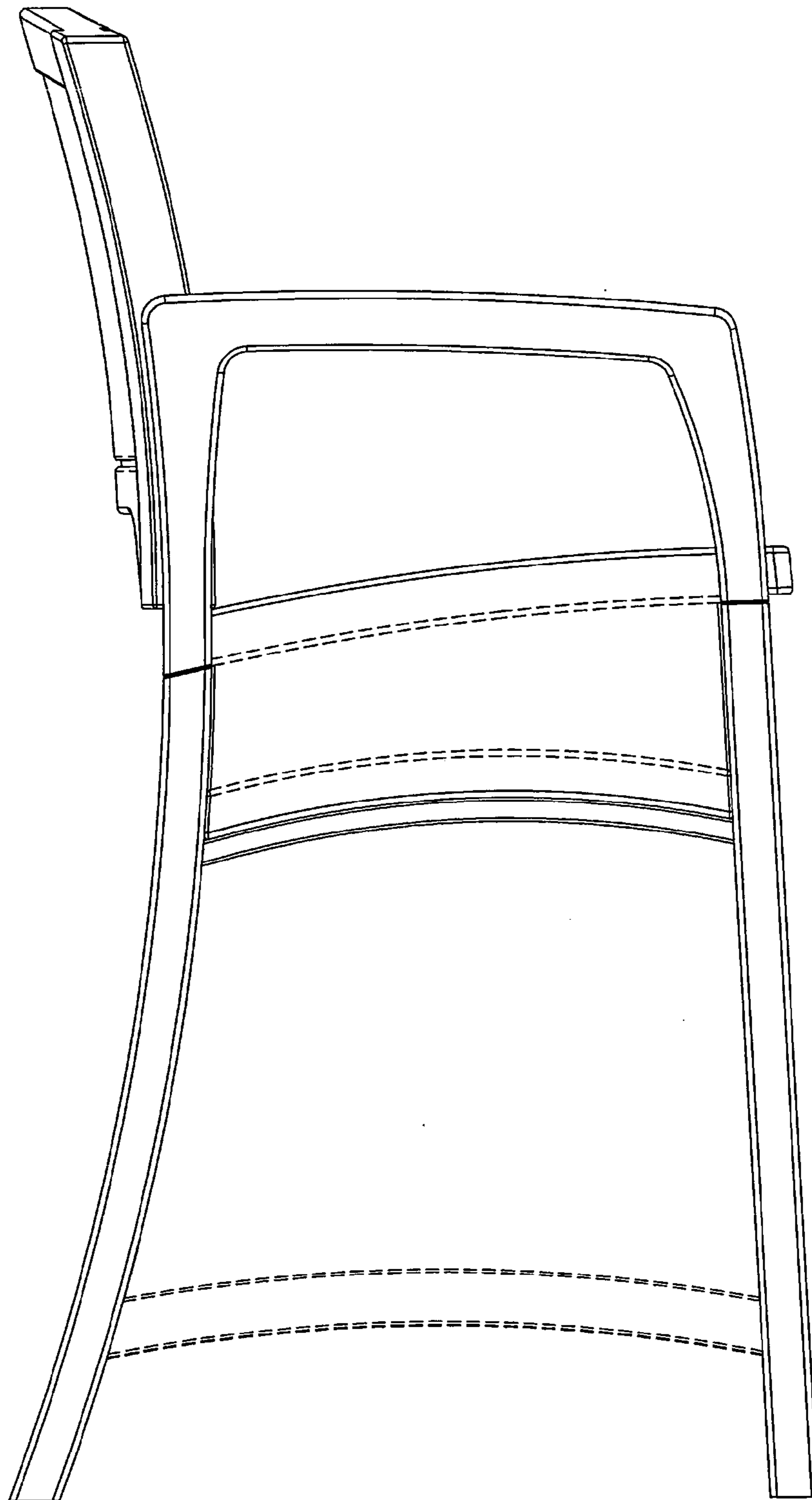


Fig. 3

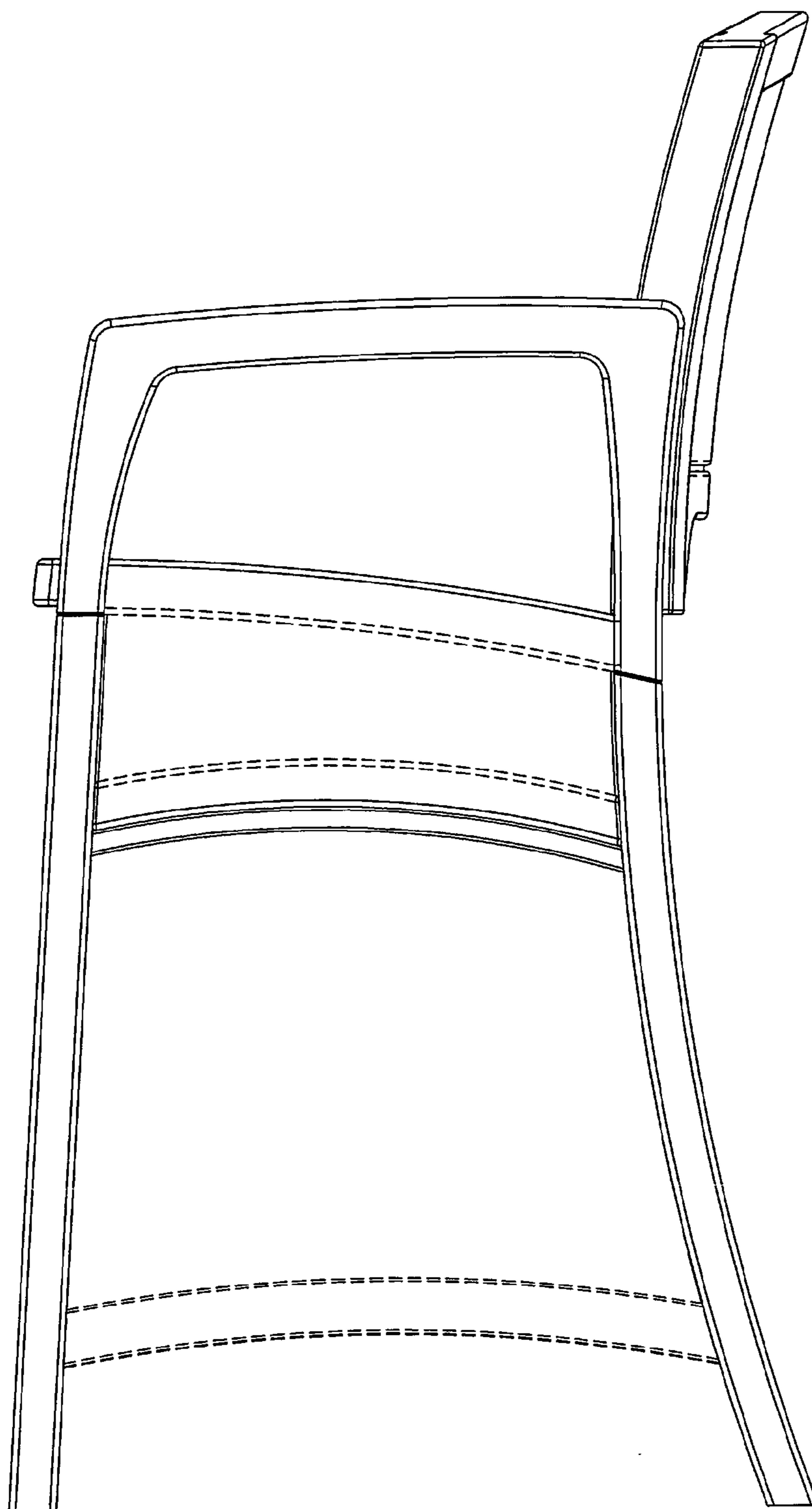


Fig. 4

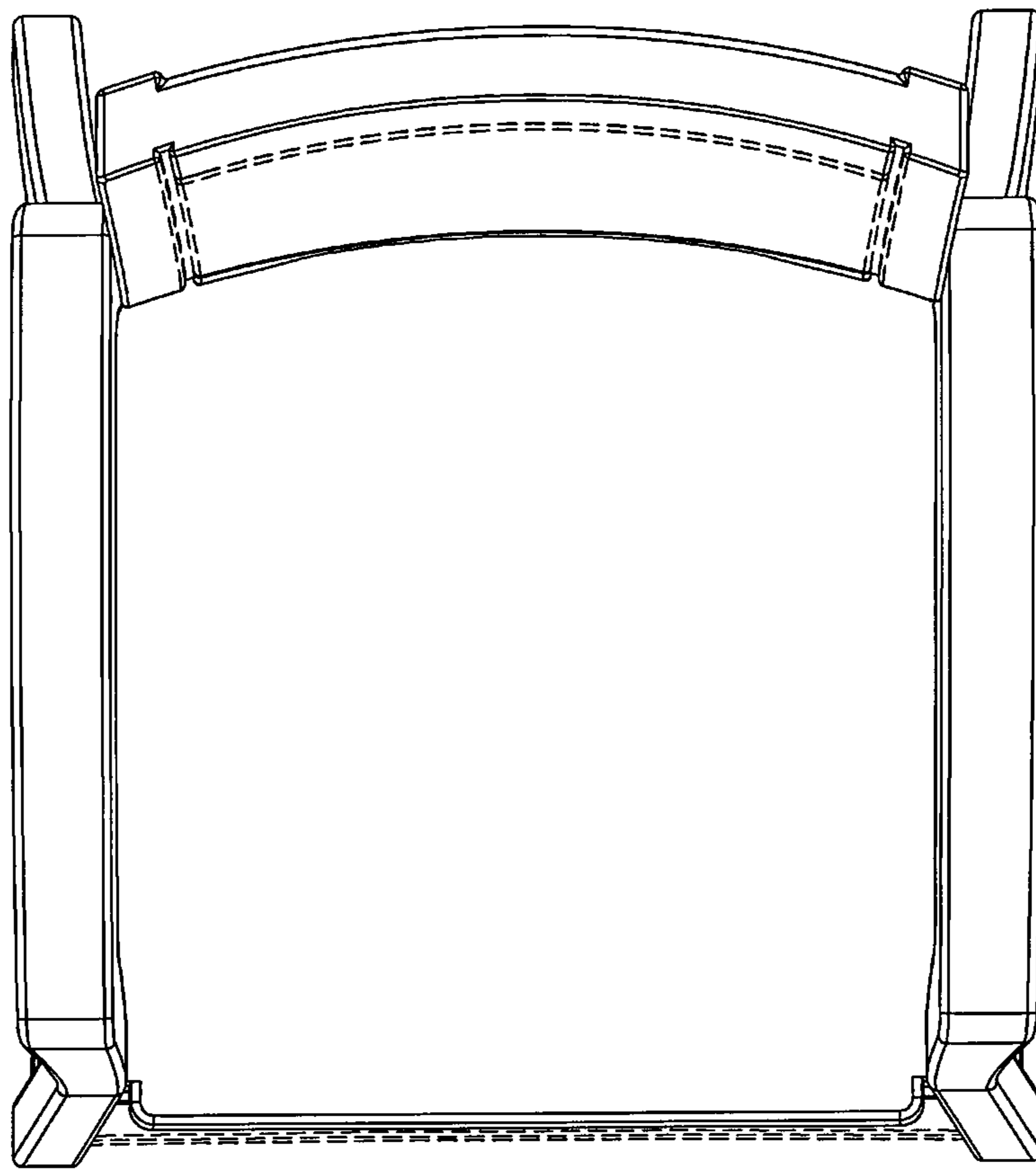


Fig. 5

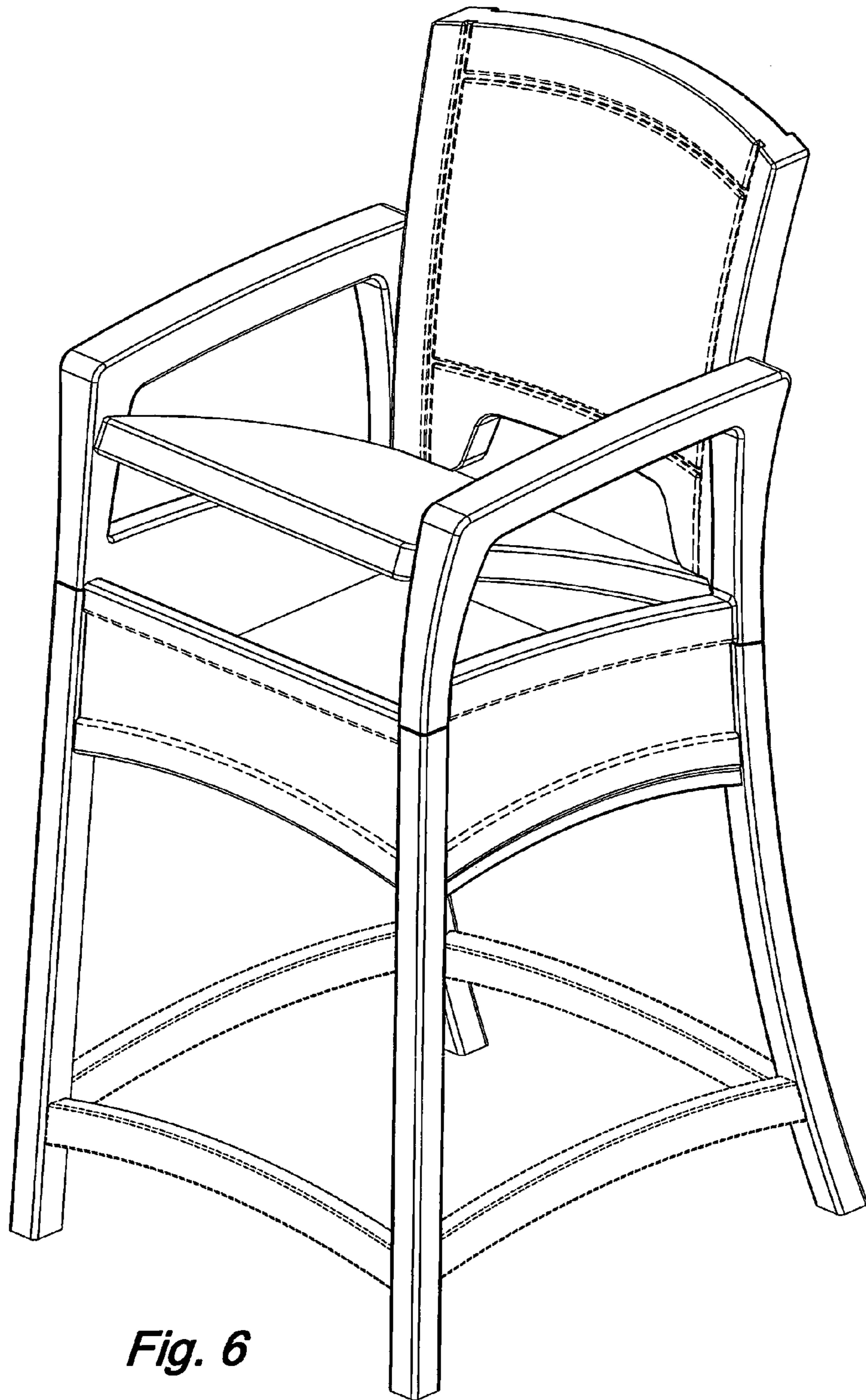


Fig. 6