



US00D730067S

(12) **United States Design Patent**  
**Jane Santamaria**

(10) **Patent No.:** **US D730,067 S**  
(45) **Date of Patent:** **\*\* May 26, 2015**

(54) **SUPPORT FOR INFANT CHAIRS FOR VEHICLES**

280/30-31; 5/94, 98.1, 99.1, 101, 102, 5/105, 655; 24/200

See application file for complete search history.

(71) Applicant: **Jane, S.A.**, Palau de Plegamans (Barcelona) (ES)

(56) **References Cited**

(72) Inventor: **Manuel Jane Santamaria**, Palau de Plegamans (ES)

U.S. PATENT DOCUMENTS

(73) Assignee: **Jane, S.A.**, Palau de Plegamans (Barcelona) (ES)

D376,919 S *	12/1996	Sedlack .....	D6/333
D417,568 S *	12/1999	Pike .....	D6/500
D555,402 S *	11/2007	Hou et al. ....	D6/500
D558,467 S *	1/2008	Hou et al. ....	D6/333
D670,923 S *	11/2012	Jane Santamaria .....	D6/333
D687,231 S *	8/2013	Gillett et al. ....	D6/333

(\*\*) Term: **14 Years**

\* cited by examiner

(21) Appl. No.: **29/485,388**

*Primary Examiner* — Caron D Veynar  
*Assistant Examiner* — Abraham Bahta

(22) Filed: **Mar. 18, 2014**

(30) **Foreign Application Priority Data**

(57) **CLAIM**

Sep. 18, 2013 (EM) ..... 002312033

The ornamental design for a support for infant chairs for vehicles, as shown and described.

(51) **LOC (10) Cl.** ..... **06-01**

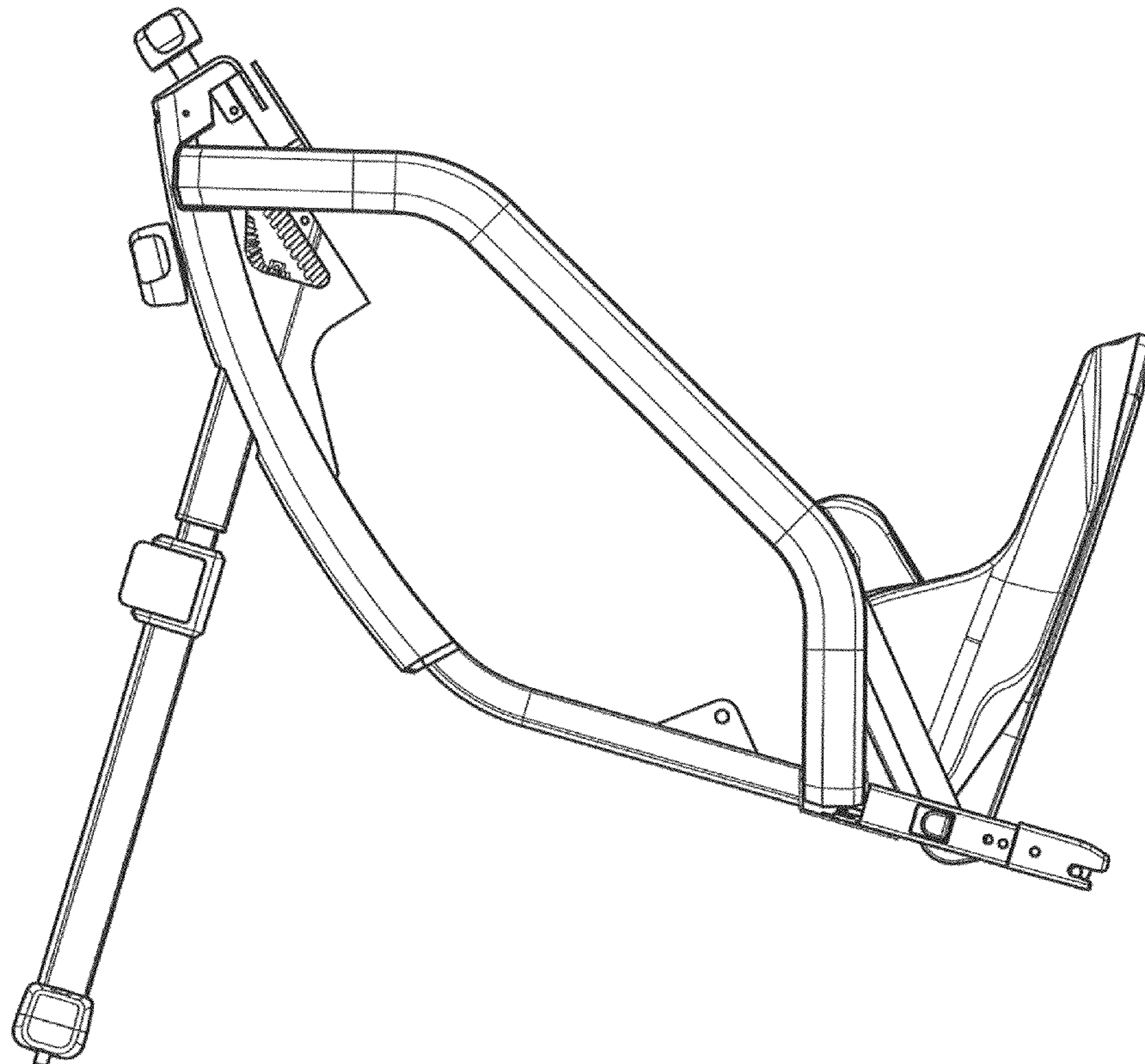
**DESCRIPTION**

(52) **U.S. Cl.**  
USPC ..... **D6/333**

(58) **Field of Classification Search**  
CPC ..... B62B 1/12; A47D 15/00; A47D 13/02  
USPC ..... D6/333-335, 339, 716, 716.1, 717.2, D6/718.11, 708.17, 708.2, 708.16, 709.2, D6/491; 297/183.1-183.4, 184.13, 184.15, 297/184.17, 250.1, 255, 256.1, 256.15, 297/256.16; D12/129; D21/412, 419;

FIG. 1 is a side view of a support for infant chairs for vehicles showing the new design;  
FIG. 2 is a front perspective view of the support shown in FIG. 1; and,  
FIG. 3 is a rear perspective view of the support shown in FIG. 1.

**1 Claim, 3 Drawing Sheets**



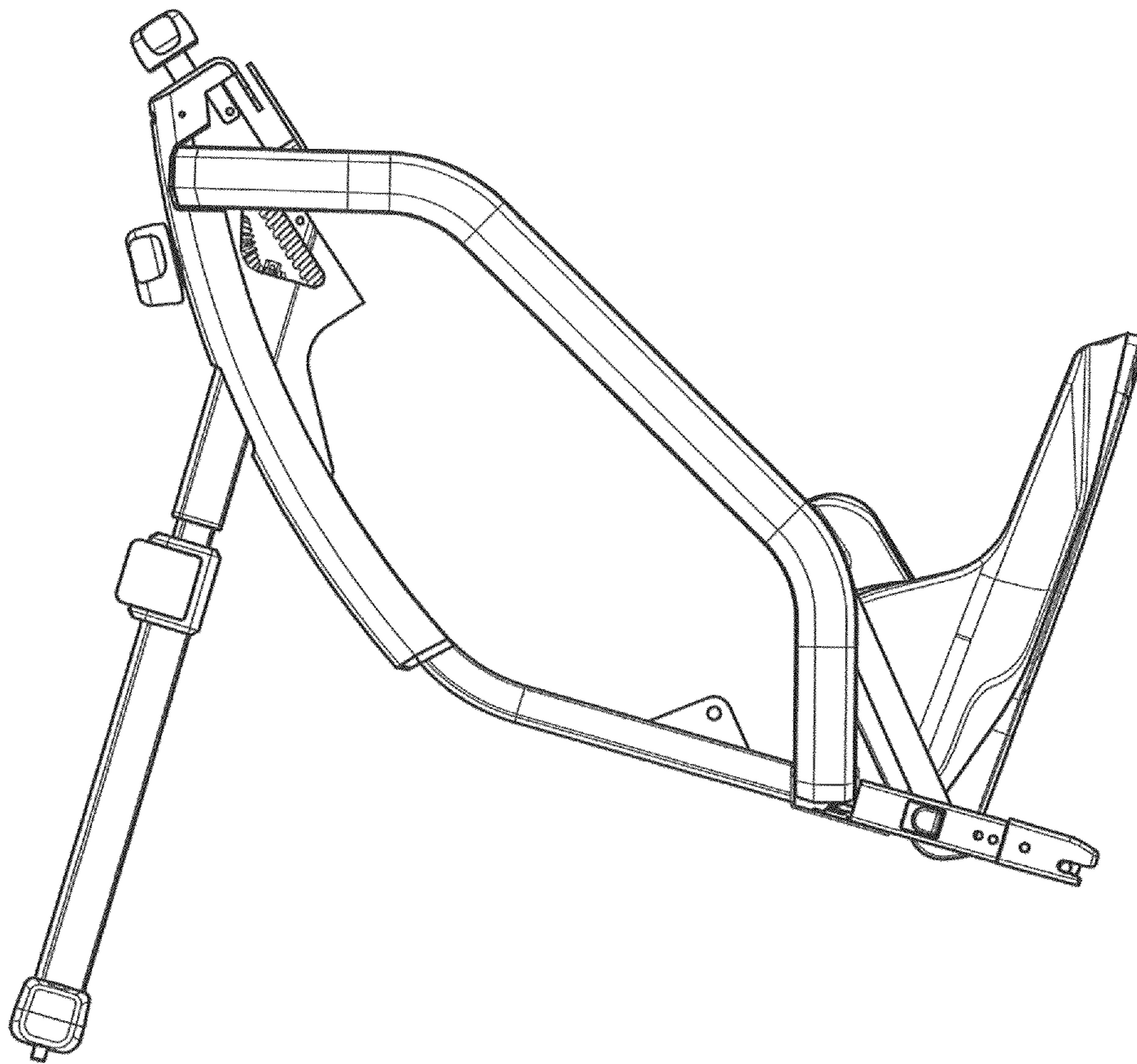


Fig. 1

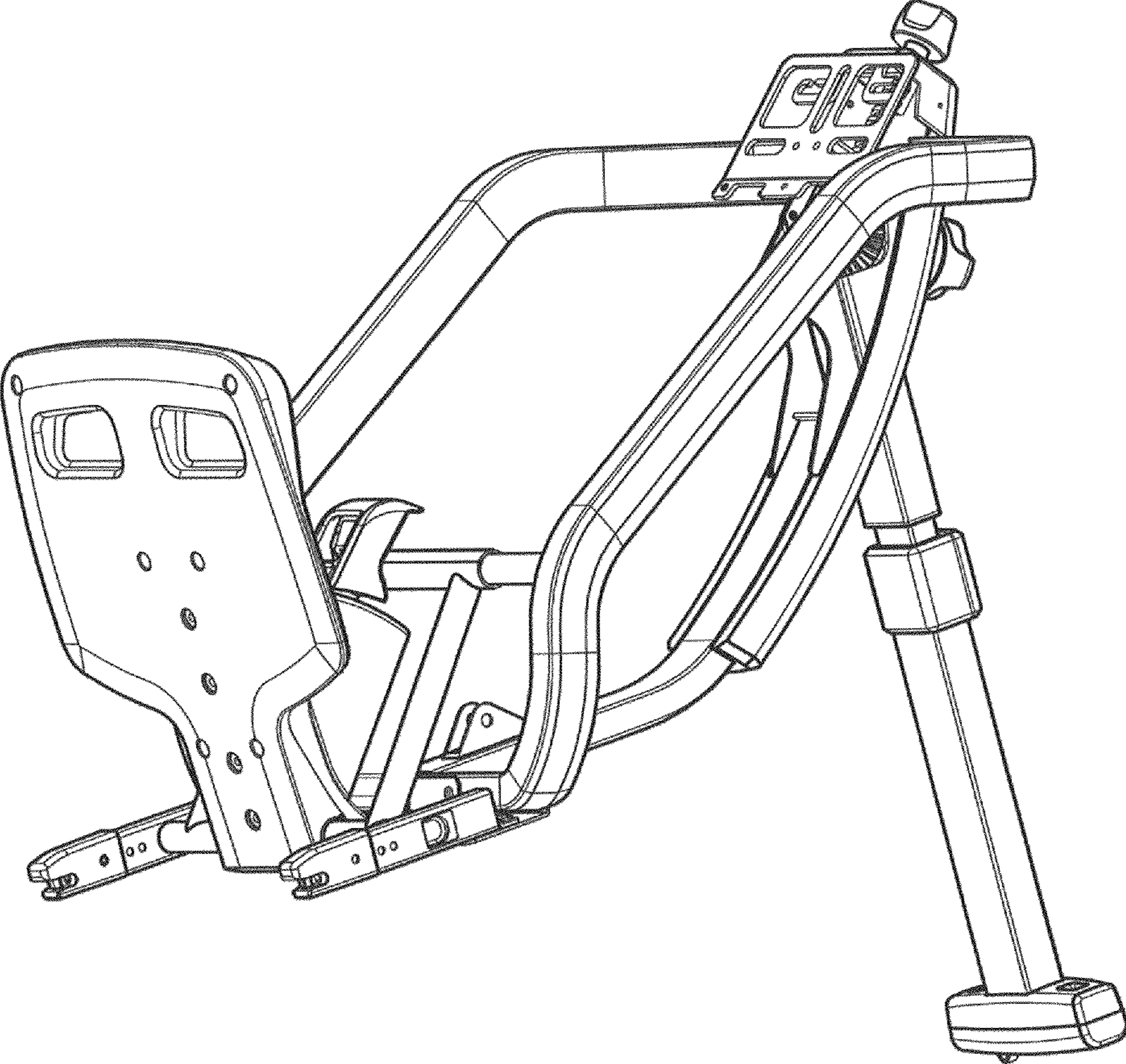


Fig. 2

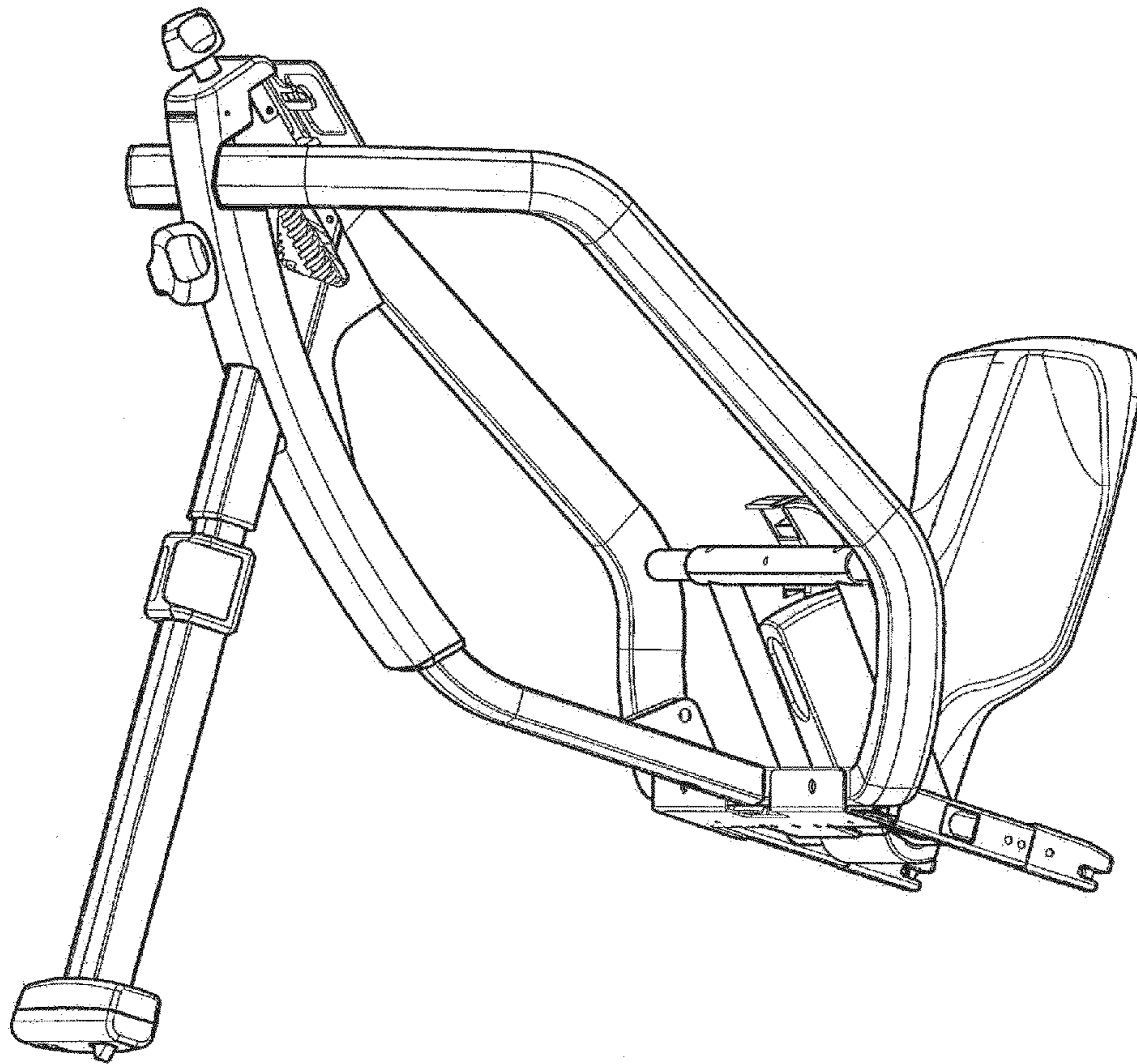


Fig. 3