



US00D730066S

(12) **United States Design Patent**
Hellbusch

(10) **Patent No.:** **US D730,066 S**

(45) **Date of Patent:** **** May 26, 2015**

(54) **PICTURE FRAME**

(71) Applicant: **Sherri B. Hellbusch**, Westminster, CA (US)

(72) Inventor: **Sherri B. Hellbusch**, Westminster, CA (US)

(**) Term: **14 Years**

(21) Appl. No.: **29/487,829**

(22) Filed: **Apr. 11, 2014**

(51) **LOC (10) Cl.** **06-07**

(52) **U.S. Cl.**
USPC **D6/311; D6/310**

(58) **Field of Classification Search**

CPC A47G 2001/0694; A47G 1/0616;
A47G 1/0622; A47G 1/0627; A47G
2001/0677

USPC D6/300-312; 229/116.5, 87.19
See application file for complete search history.

(56) **References Cited**

U.S. PATENT DOCUMENTS

| | | | | |
|--------------|------|---------|-------------|--------|
| 488,630 | A * | 12/1892 | Hafely | 412/3 |
| D23,184 | S * | 4/1894 | Golde | D6/306 |
| D322,517 | S * | 12/1991 | Carranza | D6/300 |
| D367,965 | S * | 3/1996 | Baker | D6/303 |
| D403,867 | S * | 1/1999 | Woodson | D6/306 |
| 7,036,257 | B1 * | 5/2006 | Sardo | 40/798 |
| D527,193 | S * | 8/2006 | Park | D6/300 |
| D719,745 | S * | 12/2014 | Garves | D6/300 |
| 2004/0049962 | A1 * | 3/2004 | Moshimroozi | 40/715 |
| 2010/0018100 | A1 * | 1/2010 | Lerner | 40/726 |
| 2014/0047746 | A1 * | 2/2014 | Errair | 40/711 |

OTHER PUBLICATIONS

Photo Frame, available Feb. 7, 2014, [online], [site visited Jan. 7, 2015]. Available from internet, <URL: <https://www.etsy.com/listing/65013999/custom-hot-pink-white-black-photo-frame>>.*

Custom Photo Frame, available May 4, 2014, [online], [site visited Jan. 7, 2015]. Available from internet, <URL: https://www.etsy.com/listing/186709335/chevron-design-wood-and-burlap-flower?utm_source=google&utm_medium=product_listing_promoted&utm_campaign=housewares-frame-painted-low&ione_adtype=pla&ione_creative=54864630155&ione_product_id=186709335>.*

Photo Frame, available Dec. 8, 2009, [online], [site visited Jan. 7, 2015]. Available from internet, <URL: https://www.google.com/shopping/product/3260450164717003866?biw=1894&bih=1012&scient=psy-ab&q=photo+frame+flower+ribbon&oq=photo+frame+flower+ribbon&pbx=1&bay=on.2,or.r_qf.&bvm=bv.83134100,d.dmo&tch=2&ech=1&psi=H4GtVN6IH0GveLO9gIgL1420656927703>.*

Embellished Frames, available Nov. 25, 2013, [online], [site visited Jan. 7, 2015]. Available from internet, <URL: http://renditionsbyreesa.com/category_27/Embellished-Frames.htm>.*

* cited by examiner

Primary Examiner — Cathron Brooks

Assistant Examiner — Teddy Falloway

(74) *Attorney, Agent, or Firm* — Mandour & Associates, APC

(57) **CLAIM**

The ornamental design for a picture frame, as shown and described.

DESCRIPTION

FIG. 1 is a side perspective view of a picture frame showing my new design;

FIG. 2 is a front view thereof;

FIG. 3 is a back view thereof;

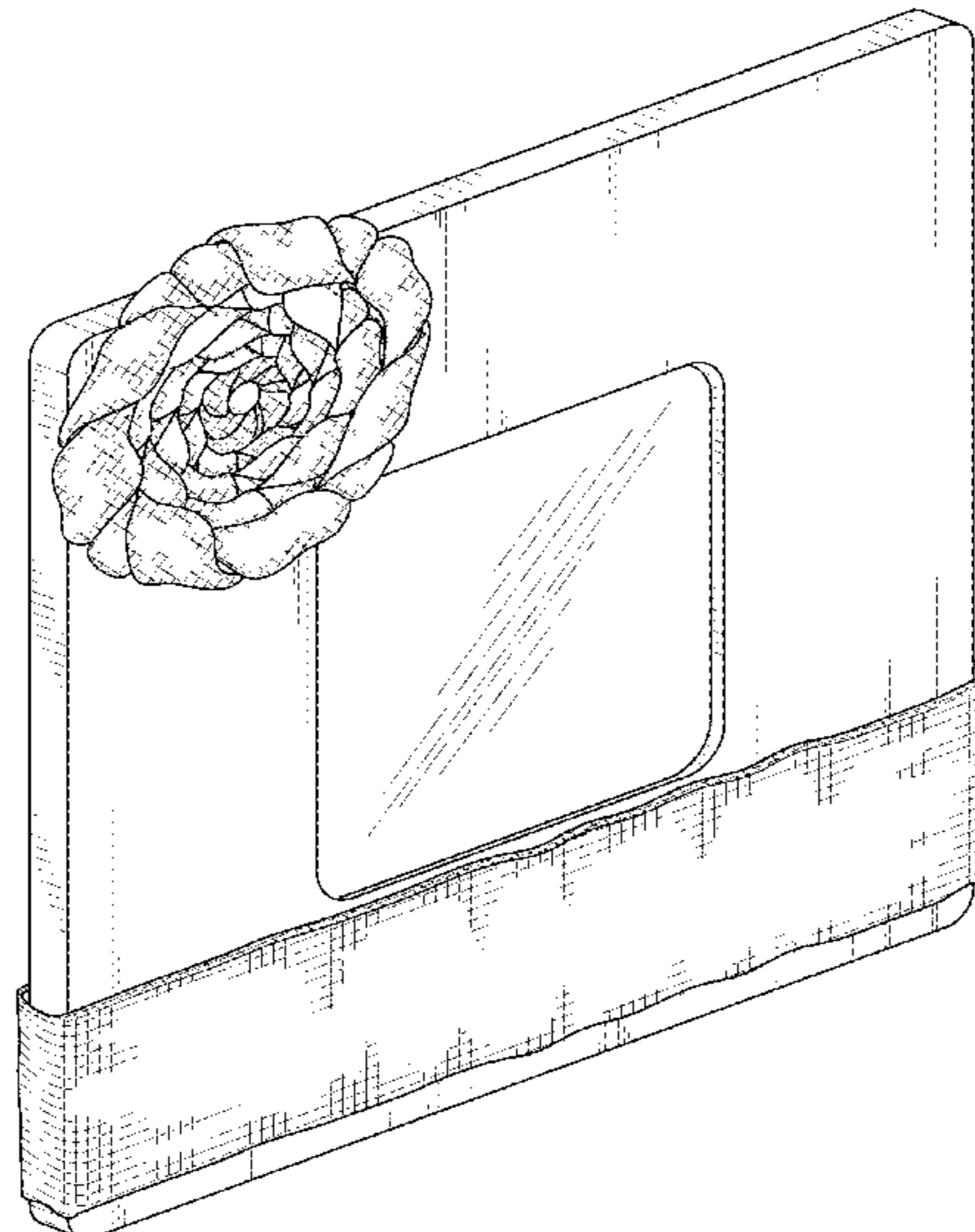
FIG. 4 is a side view thereof;

FIG. 5 is an opposite side view thereof;

FIG. 6 is a top view thereof; and,

FIG. 7 is a bottom view thereof.

1 Claim, 5 Drawing Sheets



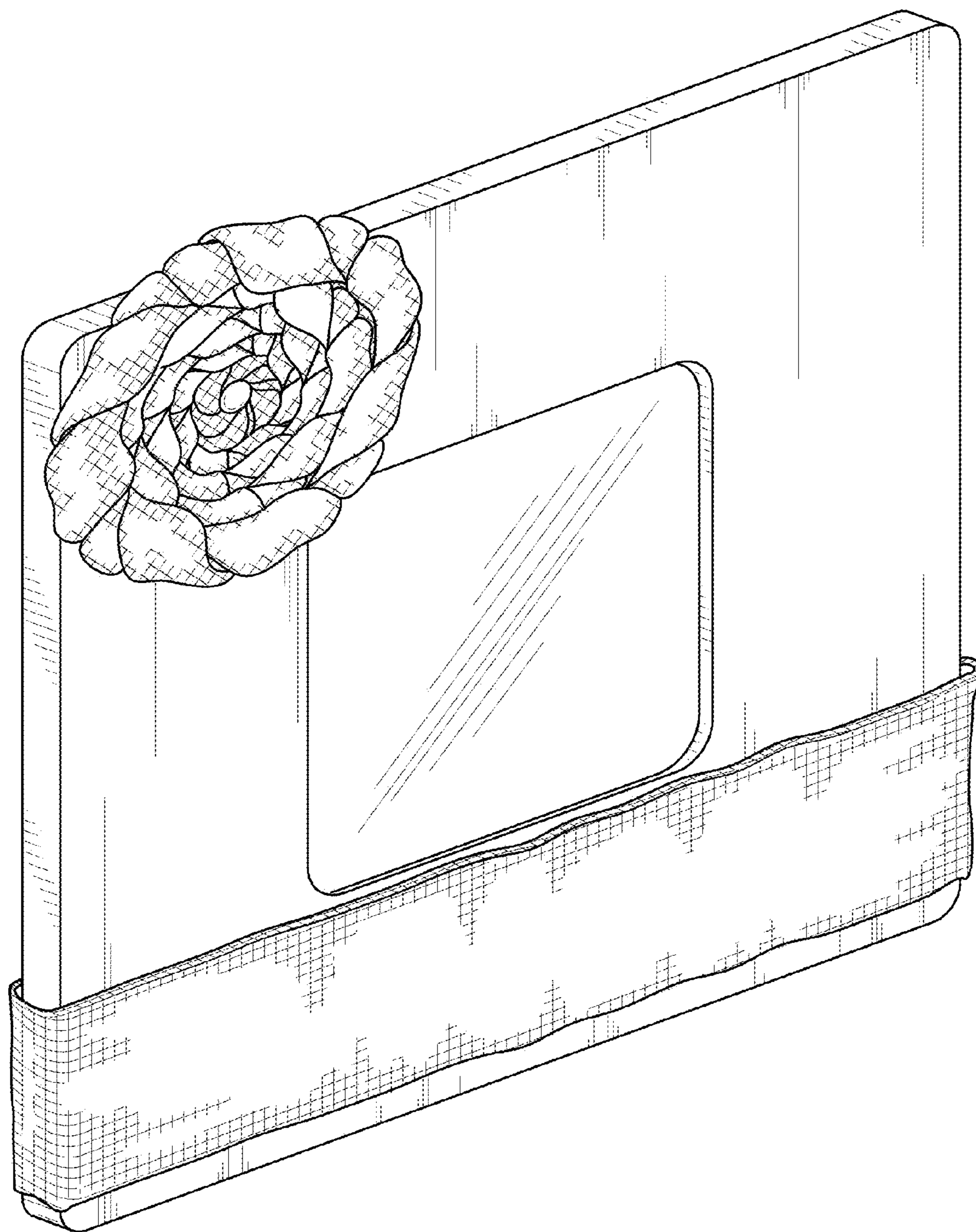


FIG. 1

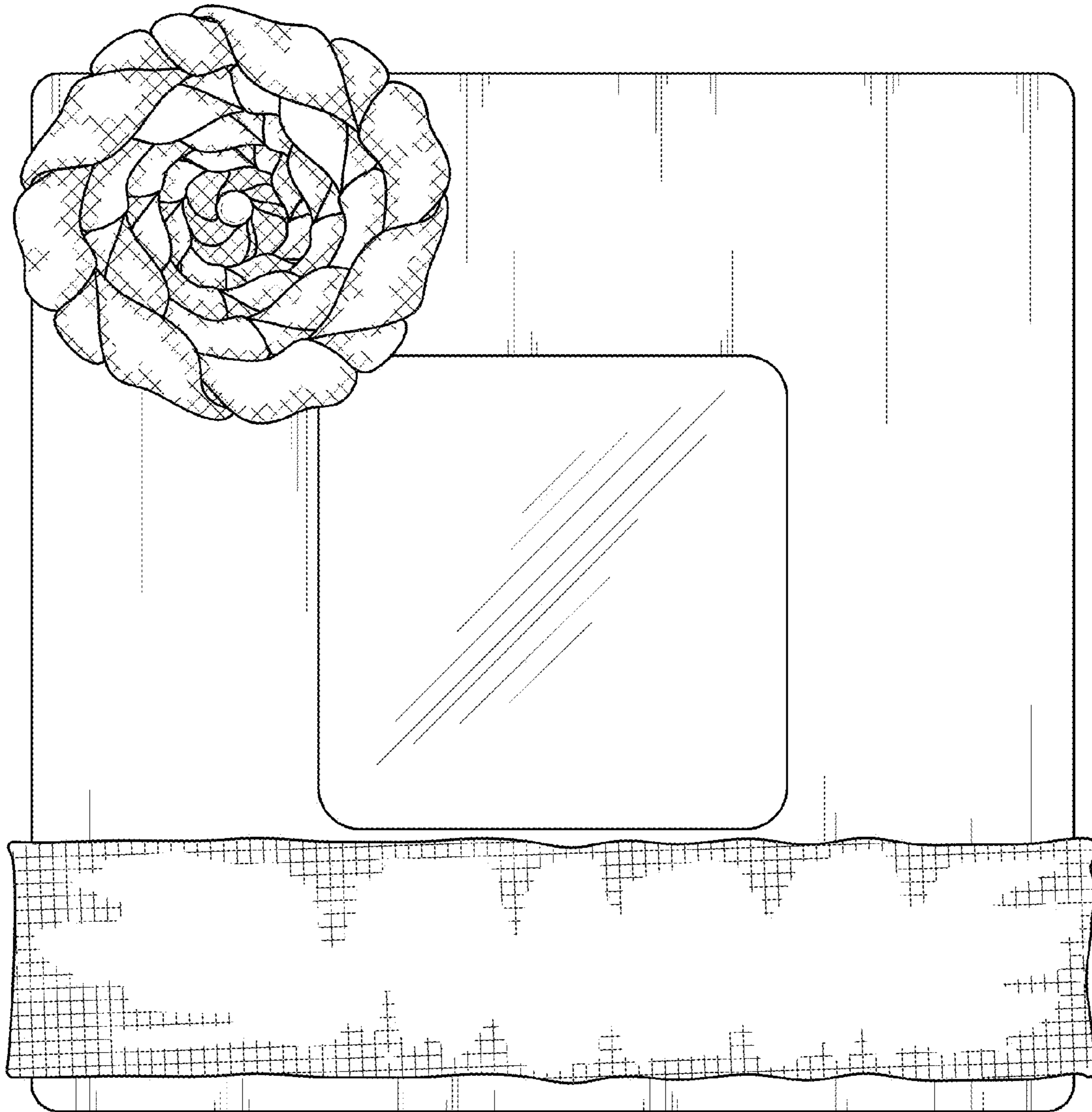


FIG. 2

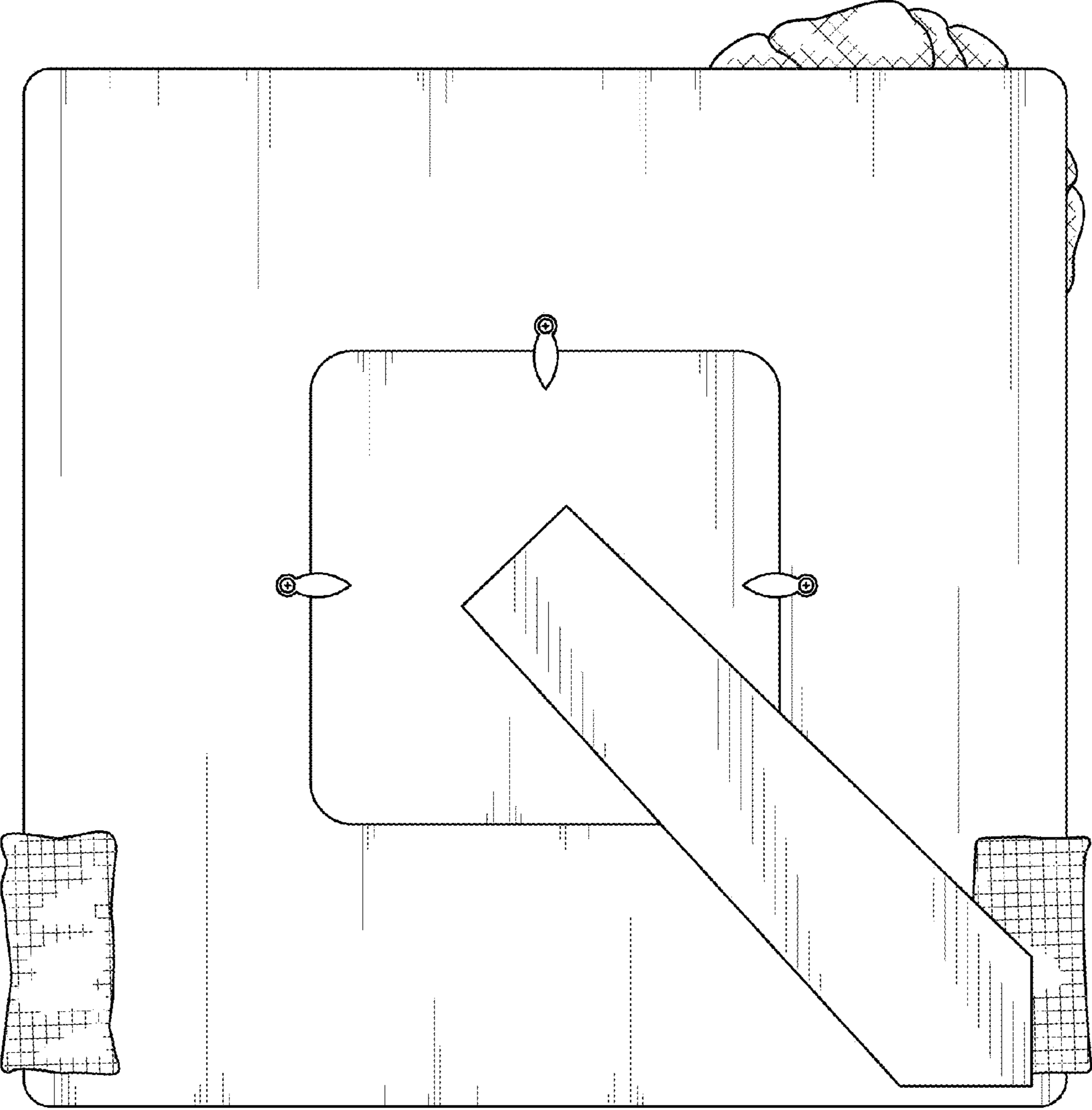


FIG. 3

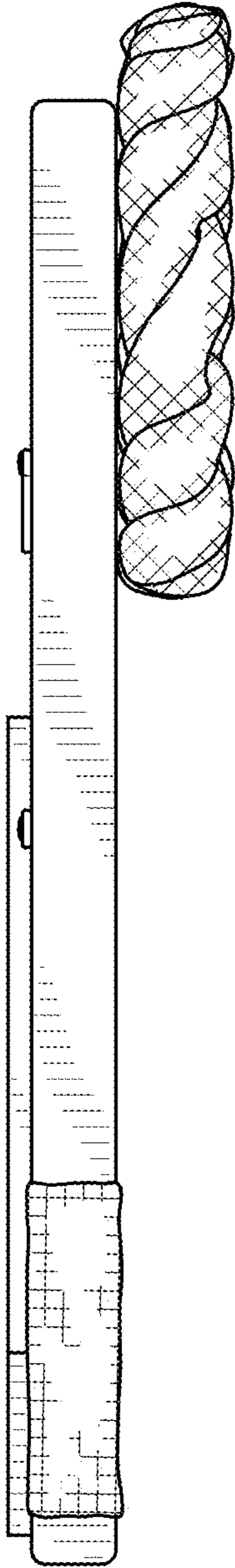


FIG. 4

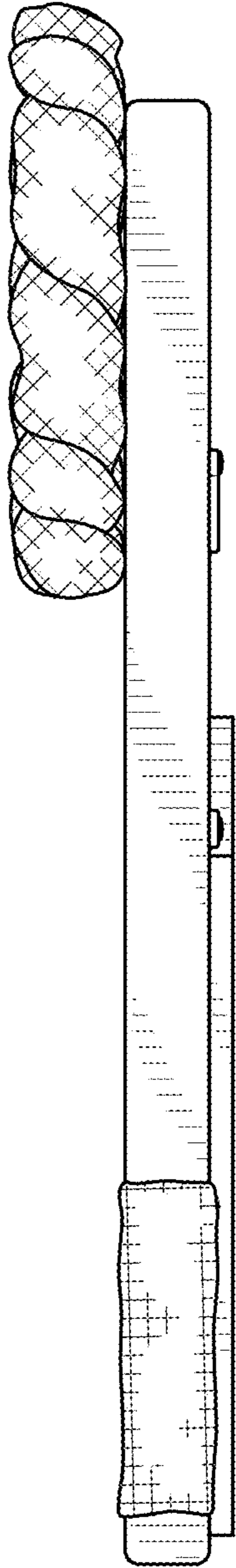


FIG. 5

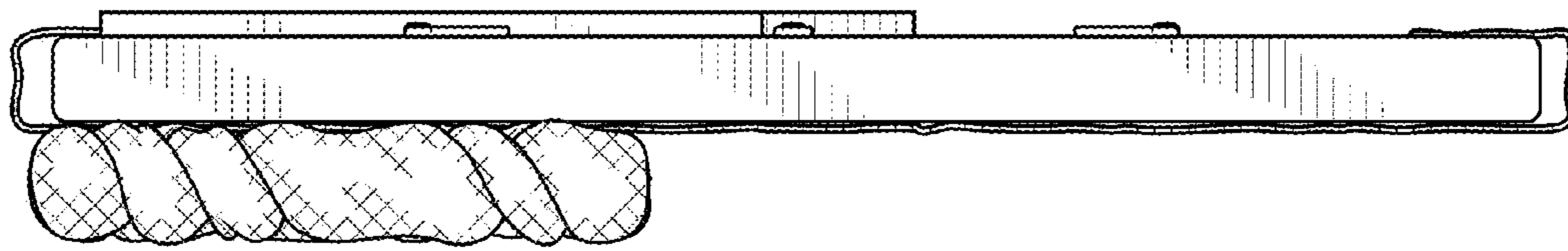


FIG. 6

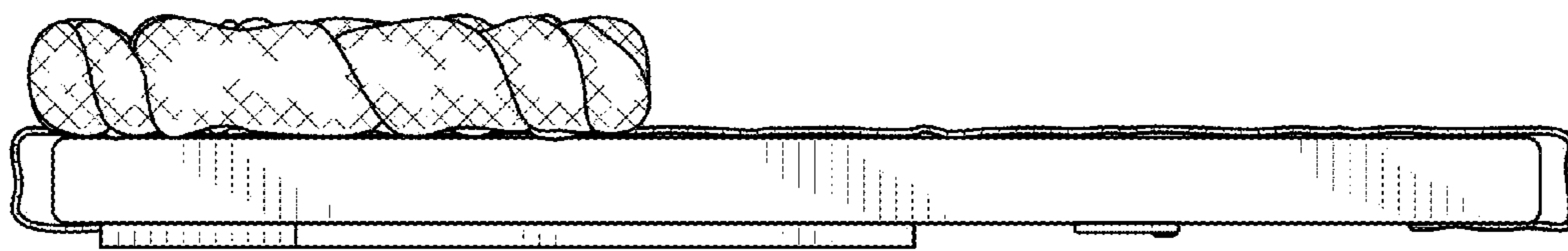


FIG. 7