



US00D730065S

(12) **United States Design Patent**
Tsai

(10) **Patent No.:** **US D730,065 S**
(45) **Date of Patent:** **** May 26, 2015**

(54) **FOLDABLE MIRROR**
(71) Applicant: **Pretty Star Store LLC**, Rowland Heights, CA (US)
(72) Inventor: **Tsung-Yu Tsai**, Changhua County (TW)
(73) Assignee: **PRETTY STAR STORE LLC**, Rowland Heights, CA (US)

7,513,476 B1 * 4/2009 Huang 248/474
D639,077 S * 6/2011 DeBretton Gordon D6/310
D657,576 S * 4/2012 Pitot D6/309
8,162,502 B1 * 4/2012 Zadro 362/141
8,356,908 B1 * 1/2013 Zadro 362/136
D701,050 S * 3/2014 Yang et al. D6/309
8,735,922 B2 * 5/2014 Tsai 257/98
D707,454 S * 6/2014 Pitot D6/309

(**) Term: **14 Years**

(21) Appl. No.: **29/495,794**

(22) Filed: **Jul. 3, 2014**

(51) **LOC (10) Cl.** **06-07**

(52) **U.S. Cl.**
USPC **D6/310; D6/312**

(58) **Field of Classification Search**
CPC A45D 42/16; A45D 42/08; F21V 33/004;
F21V 21/30; A47G 1/02
USPC D6/300-413; D20/10, 21; 359/879;
40/735, 738, 597, 744, 745, 754, 765,
40/768, 769, 790, 798; 248/466
See application file for complete search history.

(56) **References Cited**

U.S. PATENT DOCUMENTS

3,970,369 A * 7/1976 Wachsmann 359/732
D379,125 S * 5/1997 Simjian D6/309
D431,375 S * 10/2000 Zadro D6/312
6,273,585 B1 * 8/2001 Wu 362/135
6,305,809 B1 * 10/2001 Zadro 359/840
D509,369 S * 9/2005 Snell D6/310
7,048,406 B1 * 5/2006 Shih 362/135
D540,549 S * 4/2007 Yue D6/312
D568,081 S * 5/2008 Thompson et al. D6/568
D569,671 S * 5/2008 Thompson et al. D6/568

OTHER PUBLICATIONS

Deco Bros Tabletop Mirror, available Jan. 6, 2014, [online], [site visited Mar. 4, 2015]. Available from internet, <URL: http://www.amazon.com/DecoBros-Tabletop-Two-sided-Magnification-11-inch/dp/B00FW6ELDY/ref=sr_1_1?s=beauty&ie=UTF8&qid=1425500457&sr=1-1>.*
Deco Bros Tabletop Mirror, available Oct. 10, 2014, [online], [site visited Mar. 4, 2015]. Available from internet, <URL: <http://www.amazon.com/dp/B00LKSVEFI2?psc=1>>.*

(Continued)

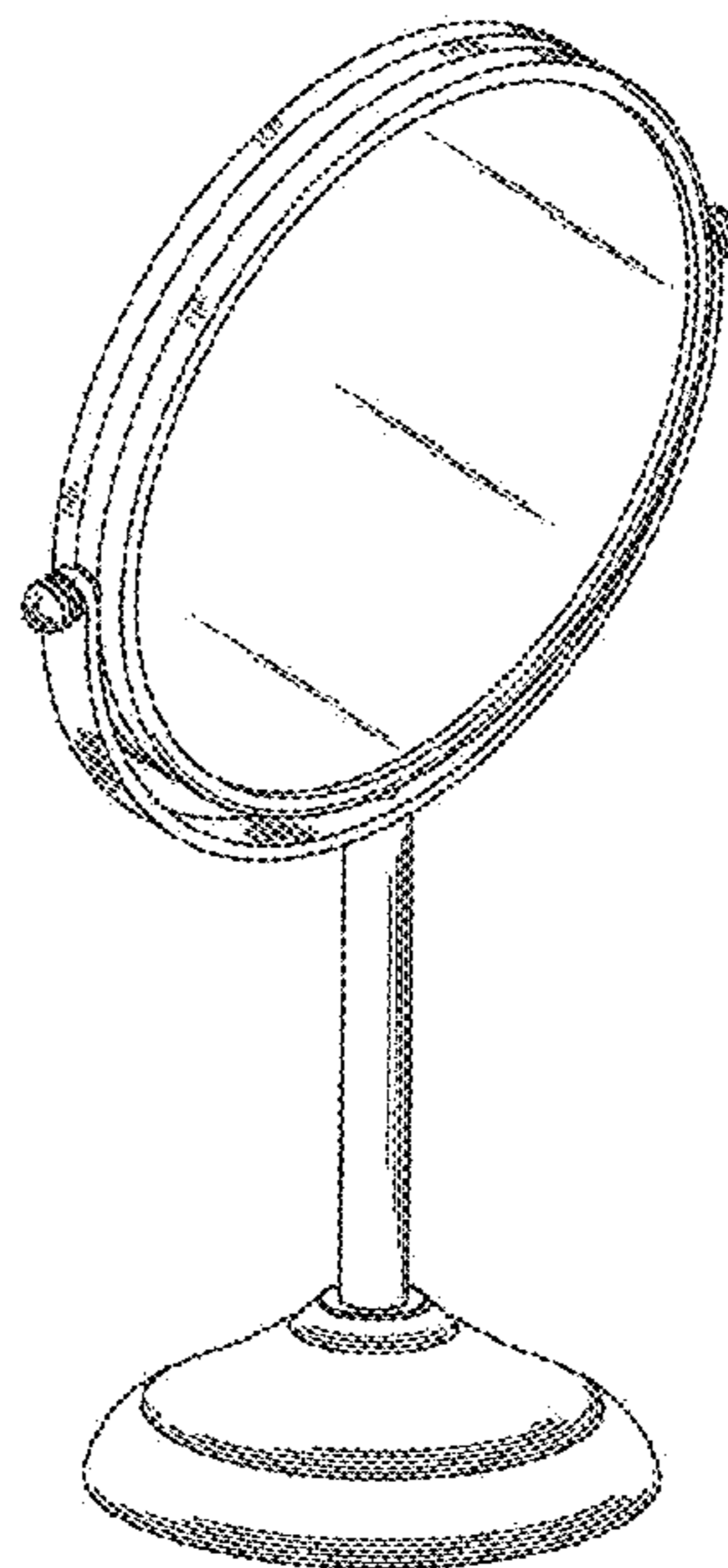
Primary Examiner — Cathron Brooks
Assistant Examiner — Teddy Falloway
(74) *Attorney, Agent, or Firm* — Muncy, Geissler, Olds & Lowe, P.C.

(57) **CLAIM**
The ornamental design for a foldable mirror, as shown and described.

DESCRIPTION

FIG. 1 is a perspective view of the present design;
FIG. 2 is a front view of the present design;
FIG. 3 is a rear view of the present design;
FIG. 4 is a left side view of the present design, the right view of the present design being a mirror image thereof;
FIG. 5 is a top view of the present design; and,
FIG. 6 is a bottom view of the present design.

1 Claim, 5 Drawing Sheets



(56)

References Cited

OTHER PUBLICATIONS

Floxite Mirror, available Oct. 14, 2010, [online], [site visited Mar. 4, 2015]. Available from internet, <URL: http://www.amazon.com/Floxite-FI-15v-Strong-Supervision-Brushed/dp/B003NRYG1Q/ref=sr_1_5?ie=UTF8&qid=1425502707&sr=8-5

&keywords=magnifying+mirror+floxite.*

Conair Lighted Mirror, available Jun. 9, 2001, [online], [site visited Mar. 4, 2015]. Available from internet, <URL: http://www.amazon.com/Conair-Double-Sided-Battery-Operated-Lighted-Polished/dp/B00005A443/ref=sr_1_18?ie=UTF8&qid=1425502390&sr=8-18

&keywords=magnifying+mirror.*

Jerdon Vanity Mirror, available Jan. 28, 2009, [online], [site visited Mar. 4, 2015]. Available from internet, <URL: http://www.amazon.com/Jerdon-JP910NB-6-Inch-Vanity-Magnification/dp/B001DKQ3O8/ref=pd_rhf_cr_s_cp_2_3AP9?ie=UTF8&refRID=17QTFWXG6YNZ5QHH91ME

&refRID=17QTFWXG6YNZ5QHH91ME.*

* cited by examiner

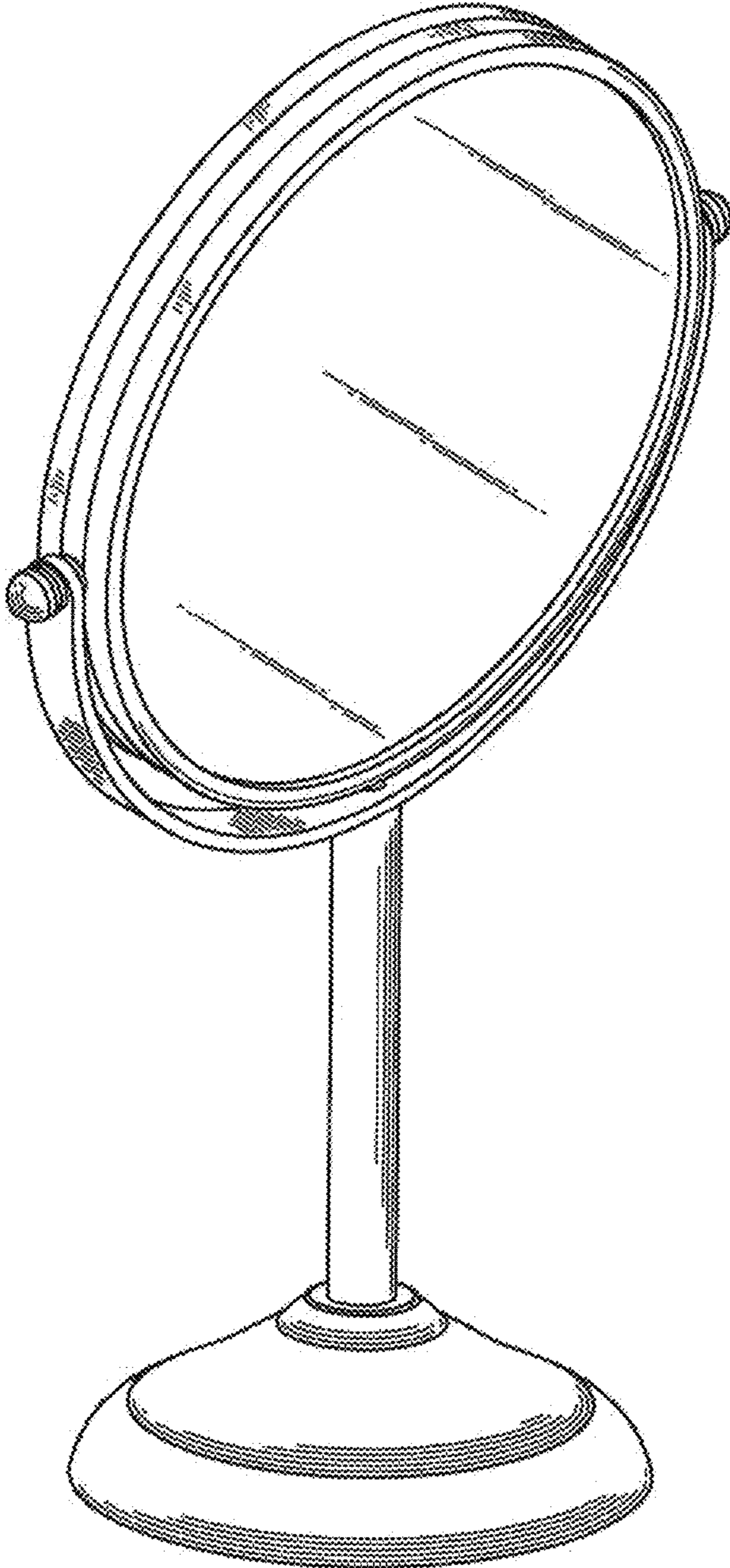


FIG. 1

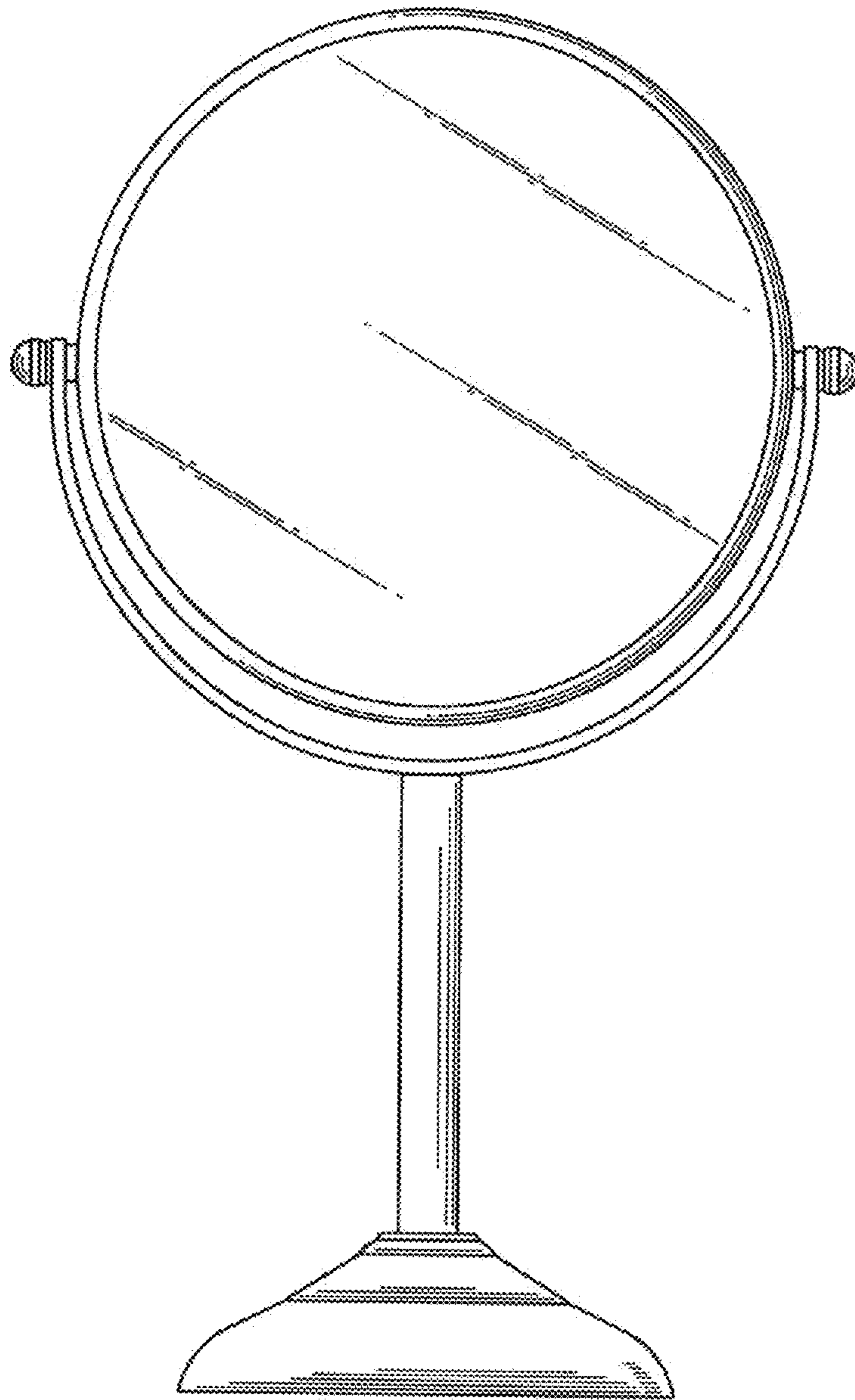


FIG. 2

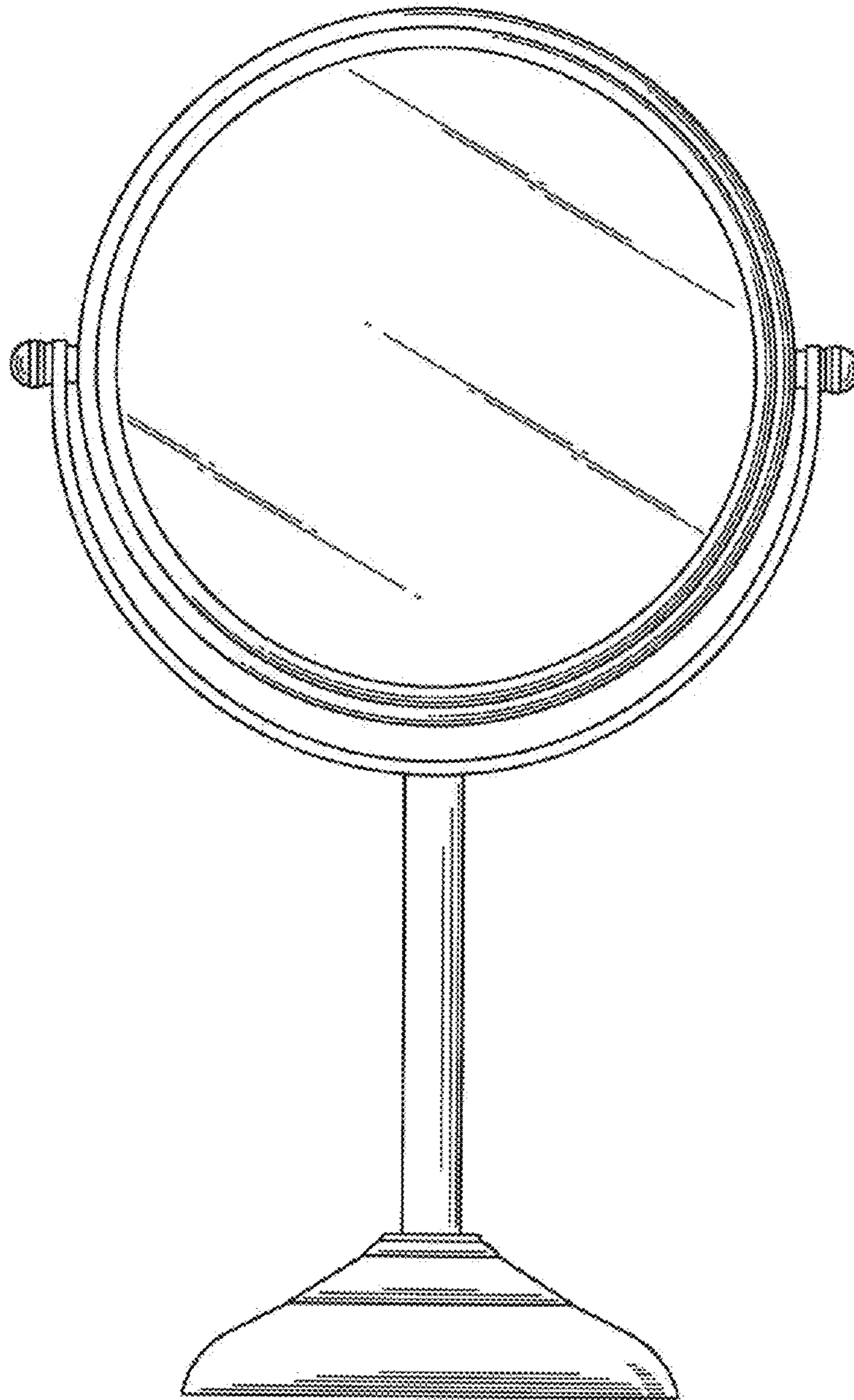


FIG. 3

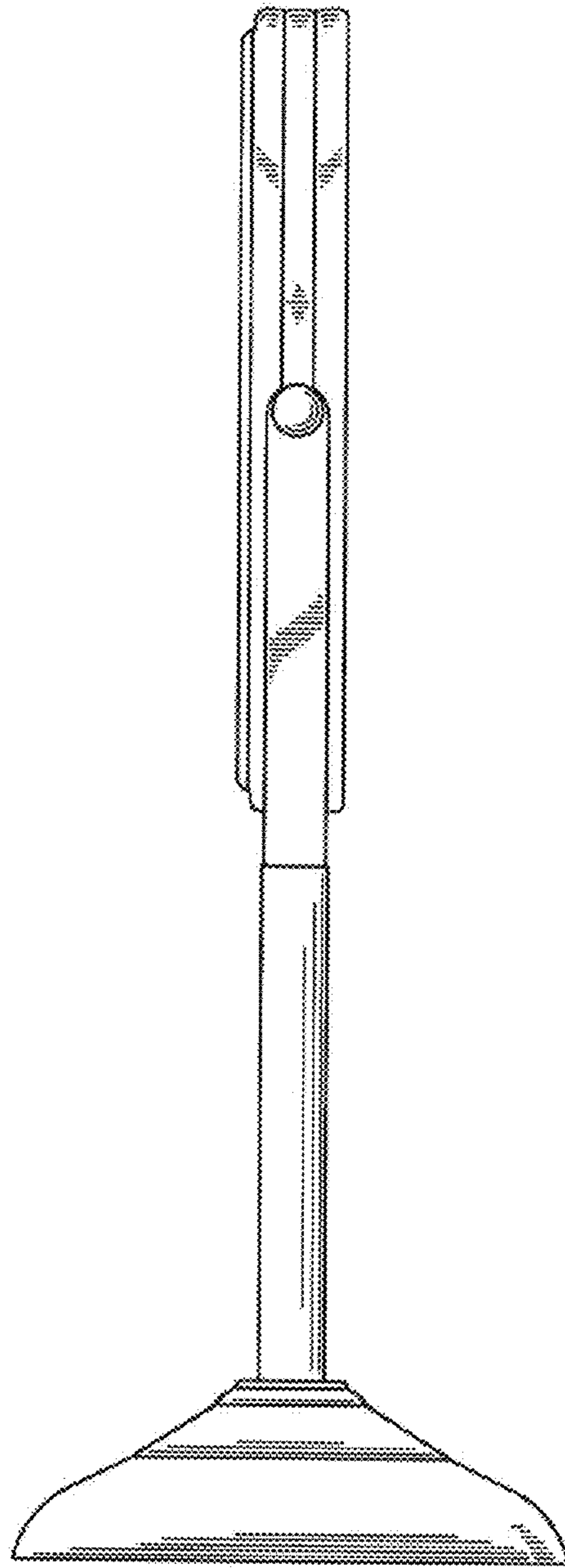


FIG. 4

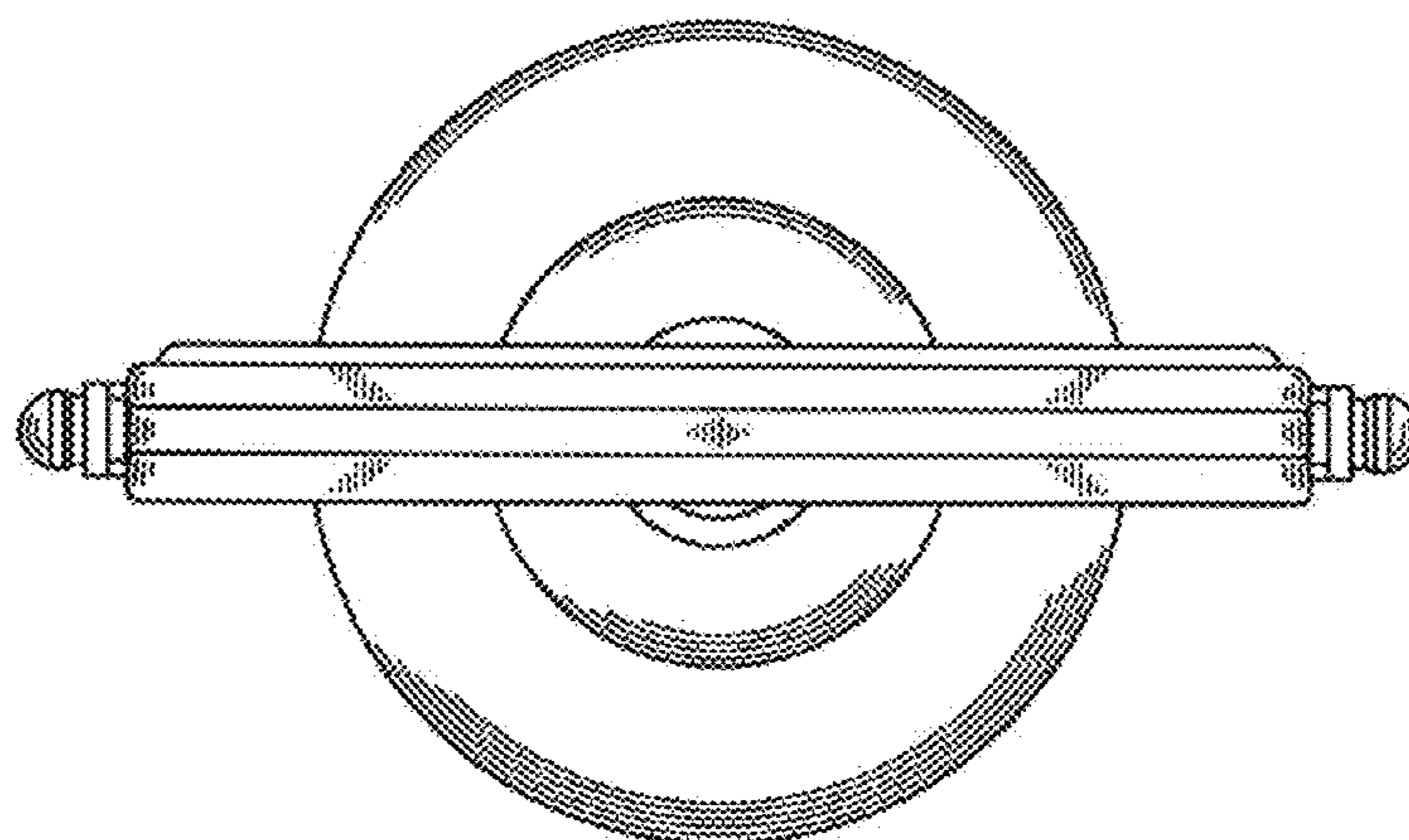


FIG. 5

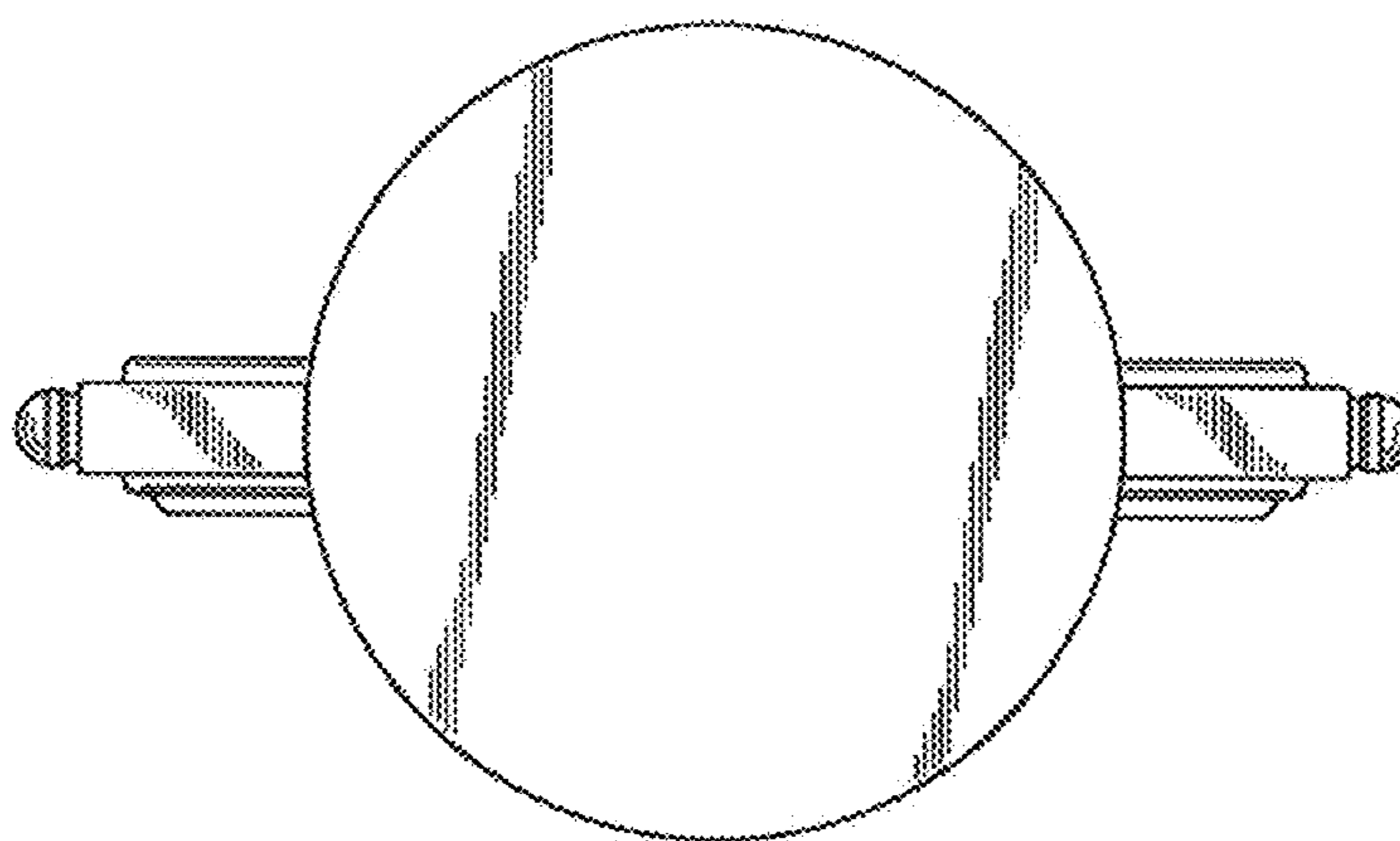


FIG. 6