

US00D730064S

(12) **United States Design Patent**
St. Laurent

(10) **Patent No.:** **US D730,064 S**

(45) **Date of Patent:** **** May 26, 2015**

(54) **SPORTS THEMED PICTURE FRAME**

(71) Applicant: **Randall R. St. Laurent**, Walled Lake, MI (US)

(72) Inventor: **Randall R. St. Laurent**, Walled Lake, MI (US)

(**) Term: **14 Years**

(21) Appl. No.: **29/500,090**

(22) Filed: **Aug. 21, 2014**

(51) **LOC (10) Cl.** **06-07**

(52) **U.S. Cl.**
USPC **D6/303**

(58) **Field of Classification Search**

CPC G09F 15/0037; A63B 2063/001;
A63B 63/00; A63B 67/06; A63F 2250/13;
A63F 9/02
USPC D6/300-312; D11/132, 133, 143, 157;
D21/318, 339, 355, 698, 699, 705, 710,
D21/727, 328, 357, 788; 473/438, 446;
D20/19, 29; D19/75, 82, 84, 85

See application file for complete search history.

(56) **References Cited**

U.S. PATENT DOCUMENTS

2,125,679	A *	8/1938	Longstreet	473/432
D216,988	S *	3/1970	Je Rue et al.	D11/157
4,183,531	A *	1/1980	White	273/247
D275,967	S *	10/1984	Morano, Jr.	D19/75
D332,881	S *	2/1993	Blackburn et al.	D6/450
5,280,904	A *	1/1994	Rodriguez	473/477
D347,033	S *	5/1994	Moretz	D21/699
D351,067	S	10/1994	Masterson	
5,365,683	A	11/1994	Borja	
D443,443	S *	6/2001	Welke	D6/497
D467,273	S *	12/2002	Brooks et al.	D19/36
6,655,056	B1	12/2003	Wolf et al.	
D571,318	S *	6/2008	O'Con	D14/126
D654,115	S *	2/2012	O'Con	D20/29
8,220,189	B2 *	7/2012	Makhija et al.	40/606.14

D692,961	S *	11/2013	Moiseyev	D21/386
2002/0166275	A1 *	11/2002	Broadwell et al.	40/606
2002/0174582	A1 *	11/2002	Garfinkle et al.	40/606
2005/0086844	A1	4/2005	Niester	
2008/0178506	A1 *	7/2008	Garfinkle	40/658
2009/0174145	A1 *	7/2009	Staver et al.	273/317.5
2011/0266744	A1 *	11/2011	Martinez et al.	273/126 R

OTHER PUBLICATIONS

Football Tabletop Game, available May 20, 2012, [online], [site visited Jan. 8, 2015]. Available from internet, <URL: <http://www.fivedollarfinds.com/field-goal-tabletop-game/>>.*

* cited by examiner

Primary Examiner — Cathron Brooks

Assistant Examiner — Teddy Falloway

(74) *Attorney, Agent, or Firm* — Carlson, Gaskey & Olds P.C.

(57) **CLAIM**

I claim the ornamental design for a sports themed picture frame, as shown and described.

DESCRIPTION

FIG. 1 is a perspective view of a sports themed picture frame, in particular a football themed picture frame, where the sports themed picture frame includes (1) a support for a picture, and (2) a display base.

FIG. 2 is a perspective view of the sports themed picture frame of FIG. 1, without the picture.

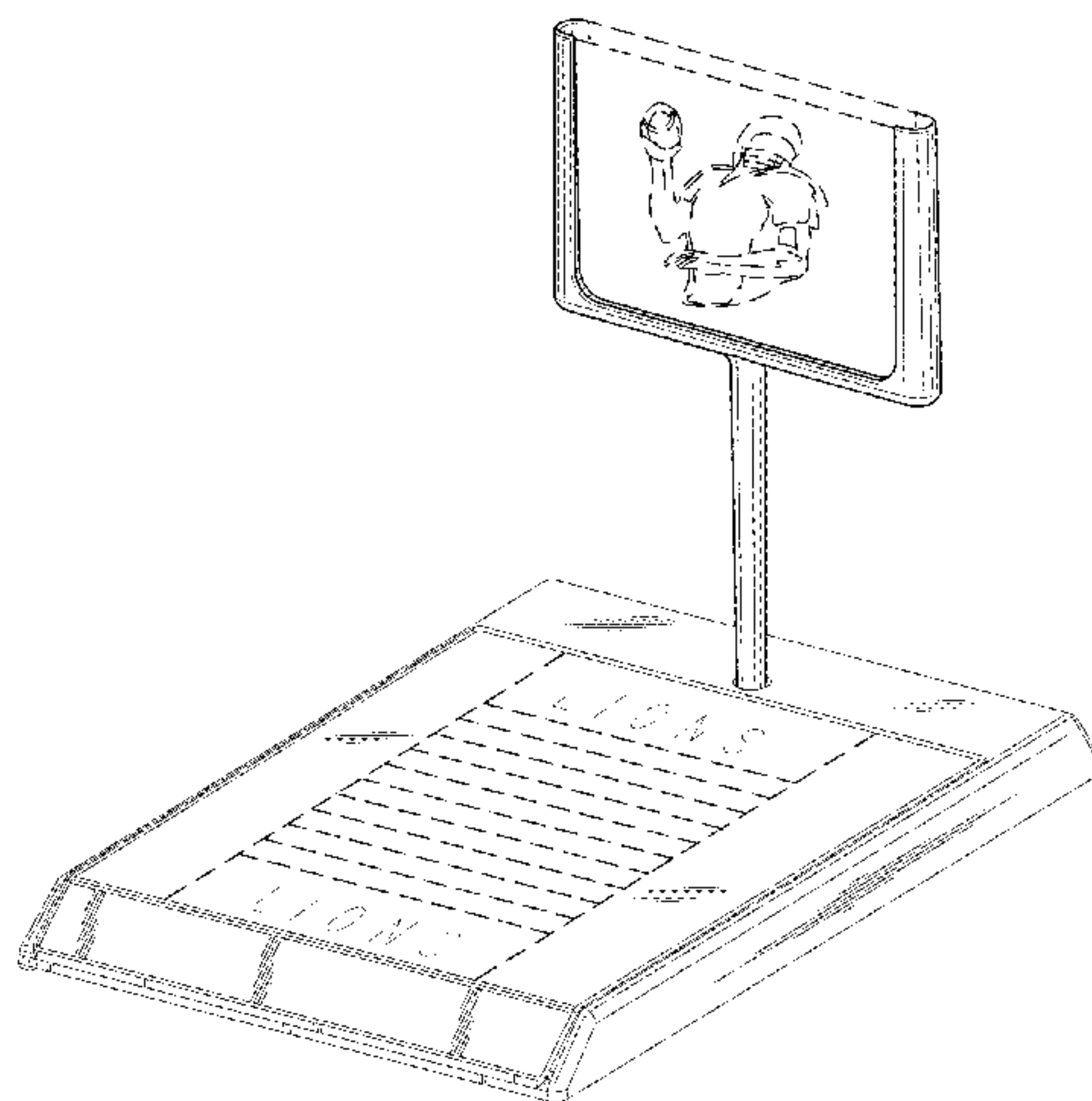
FIG. 3 is a front view of the sports themed picture frame of FIG. 1, without the picture.

FIG. 4 is a right side view of the sports themed picture frame of FIG. 1, without the picture; and,

FIG. 5 is a rear view of the sports themed picture frame of FIG. 1, without the picture.

The broken lines shown are included for the purpose of illustrating portions of the picture frame that form no part of the claimed design.

1 Claim, 3 Drawing Sheets



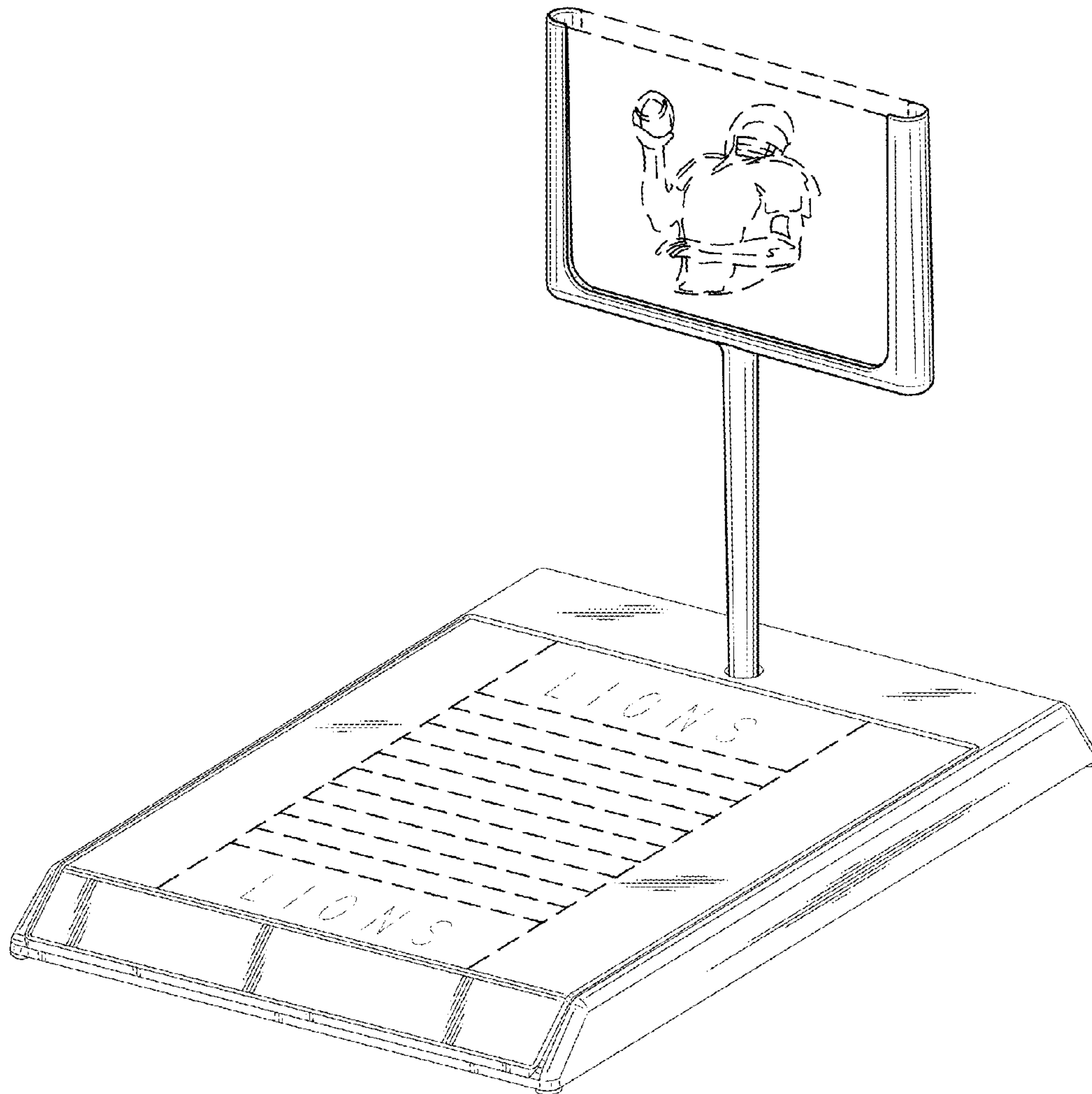


FIG.1

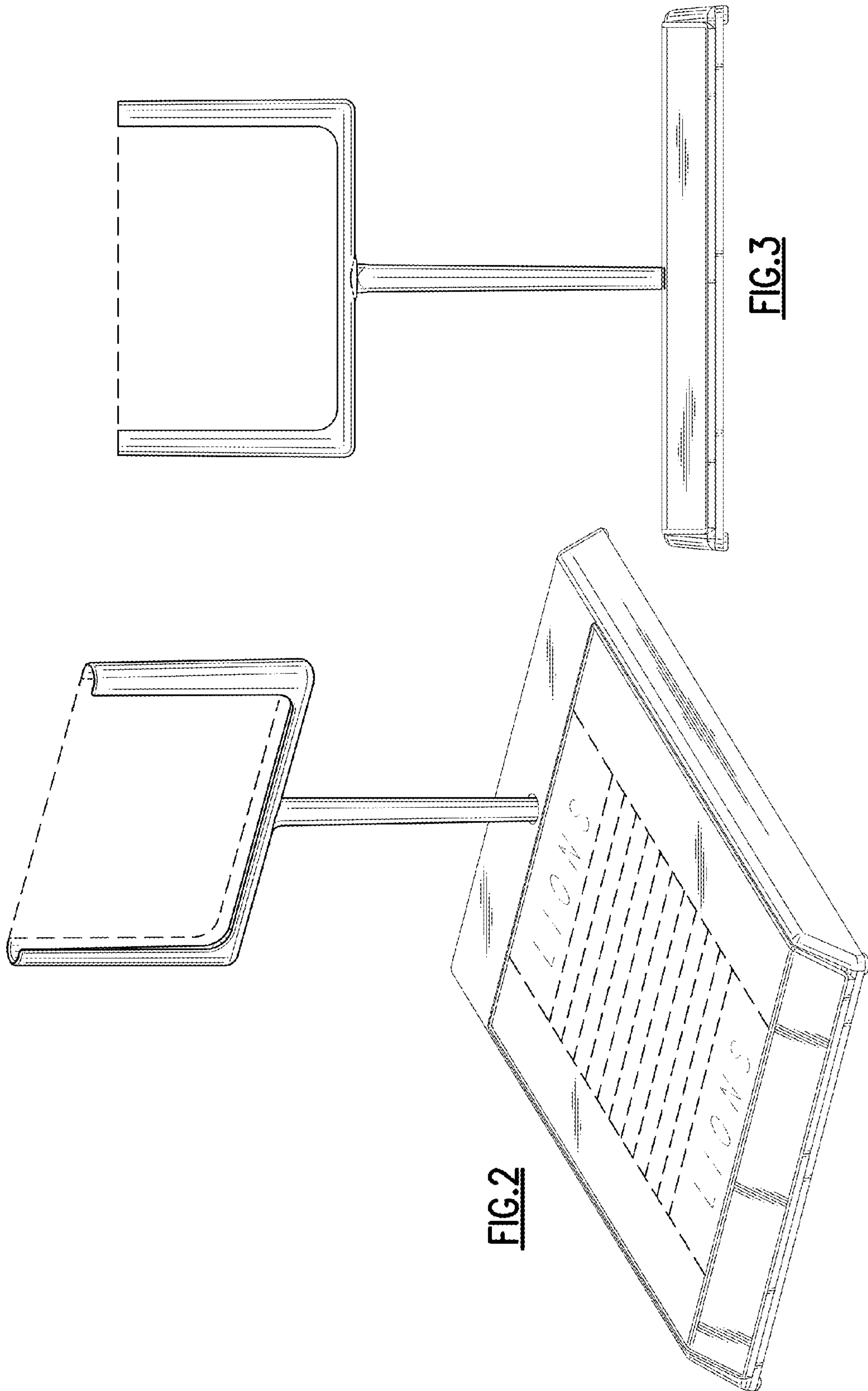


FIG. 2

FIG. 3

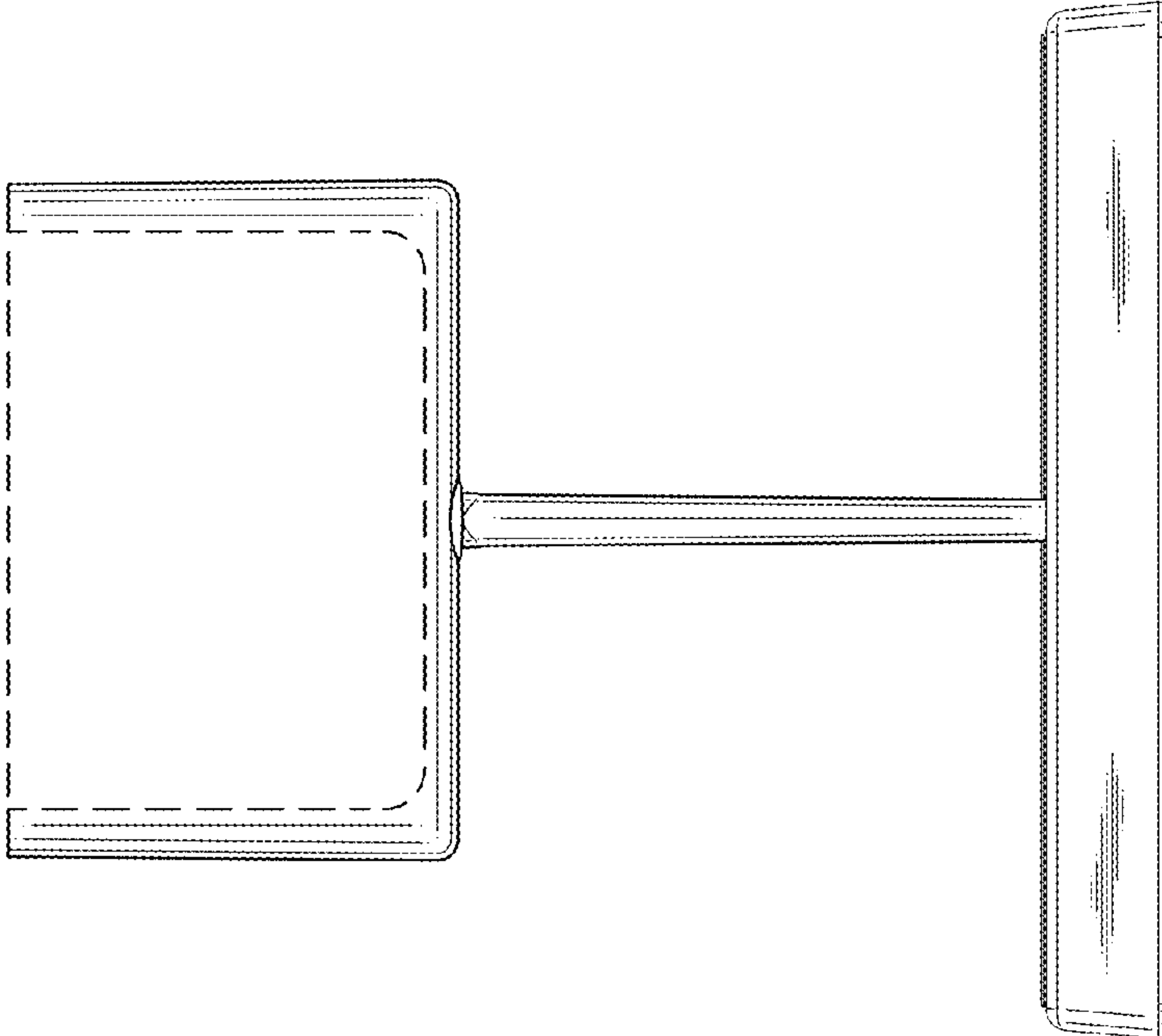


FIG. 5

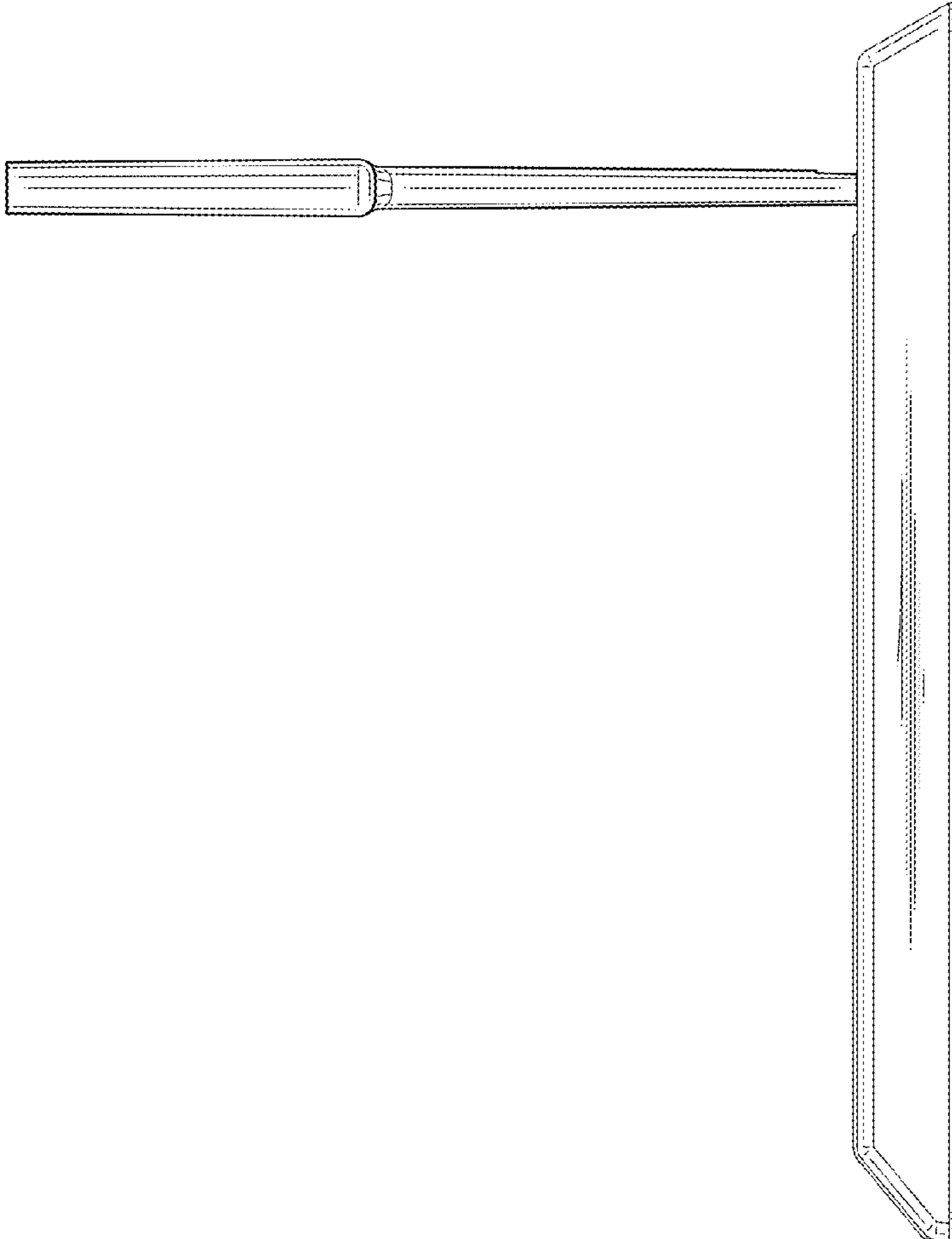


FIG. 4