



US00D730062S

(12) **United States Design Patent**
Lim

(10) **Patent No.:** **US D730,062 S**
(45) **Date of Patent:** **** May 26, 2015**

- (54) **SQUARE-TO-ROUND BRUSH**
- (71) Applicant: **HCT Packaging, Inc.**, Bridgewater, NJ (US)
- (72) Inventor: **Cindy Sean Yuei Lim**, Santa Monica, CA (US)
- (73) Assignee: **HCT Packaging, Inc.**, Bridgewater, NJ (US)

(**) Term: **14 Years**

(21) Appl. No.: **29/439,032**

(22) Filed: **Dec. 5, 2012**

(51) **LOC (10) Cl.** **04-02**

(52) **U.S. Cl.**
USPC **D4/138**

(58) **Field of Classification Search**
 CPC A46B 3/00; A46B 3/02; A46B 3/08;
 A46B 3/10; A46B 3/12; A46B 9/021; A46B
 2200/1046; A46B 2200/20; A46B 2200/202;
 A46B 2200/205; A46B 2200/10; A46B
 2200/1033; A46B 5/02; A46B 5/021; A46B
 5/023; A46B 5/025
 USPC D4/127, 135, 138; 15/143.1,
 15/191.1-193; 132/289, 290, 298, 313,
 132/317, 320
 See application file for complete search history.

(56) **References Cited**

U.S. PATENT DOCUMENTS

| | | | | |
|-----------|-----|---------|-----------------------------------|---------|
| 4,088,413 | A * | 5/1978 | Rossignol de la Ronde et al. | 401/282 |
| D258,241 | S * | 2/1981 | Takada et al. | D4/135 |
| 4,292,986 | A | 10/1981 | Ergaver et al. | |
| D278,951 | S * | 5/1985 | Kalinsky | D4/135 |
| 4,681,791 | A | 7/1987 | Shibahashi et al. | |
| D297,889 | S * | 10/1988 | Ries et al. | D4/135 |
| 5,153,066 | A | 10/1992 | Tanaka et al. | |

| | | | | |
|-----------|-----|--------|--------------------|--------|
| 5,220,702 | A * | 6/1993 | Howell et al. | 15/160 |
| 5,316,513 | A | 5/1994 | Nakagawa et al. | |
| 5,334,421 | A | 8/1994 | McNutt | |
| 5,447,167 | A | 9/1995 | Fleischaker | |
| 6,024,101 | A | 2/2000 | Garner | |
| 6,180,741 | B1 | 1/2001 | Yamaguchi et al. | |
| 6,202,242 | B1 | 3/2001 | Salmon et al. | |
| 6,254,996 | B1 | 7/2001 | Fukuda et al. | |
| 6,506,327 | B2 | 1/2003 | Weihrauch | |
| 6,596,203 | B1 | 7/2003 | Au et al. | |
| 6,761,969 | B2 | 7/2004 | Li et al. | |

(Continued)

OTHER PUBLICATIONS

CN 3412782 Registered Design, (Tianjin Samsung Brushes Ltd.) Dec. 22, 2004, [online], [retrieved on Oct. 3, 2014] Retrieved from the Questel Intellectual Property Portal Design Database using the Internet: <URL: <http://www.orbit.com>>.*

(Continued)

Primary Examiner — Melanie H Tung
Assistant Examiner — Lavone D Tabor
(74) *Attorney, Agent, or Firm* — Lee & Hayes, PLLC

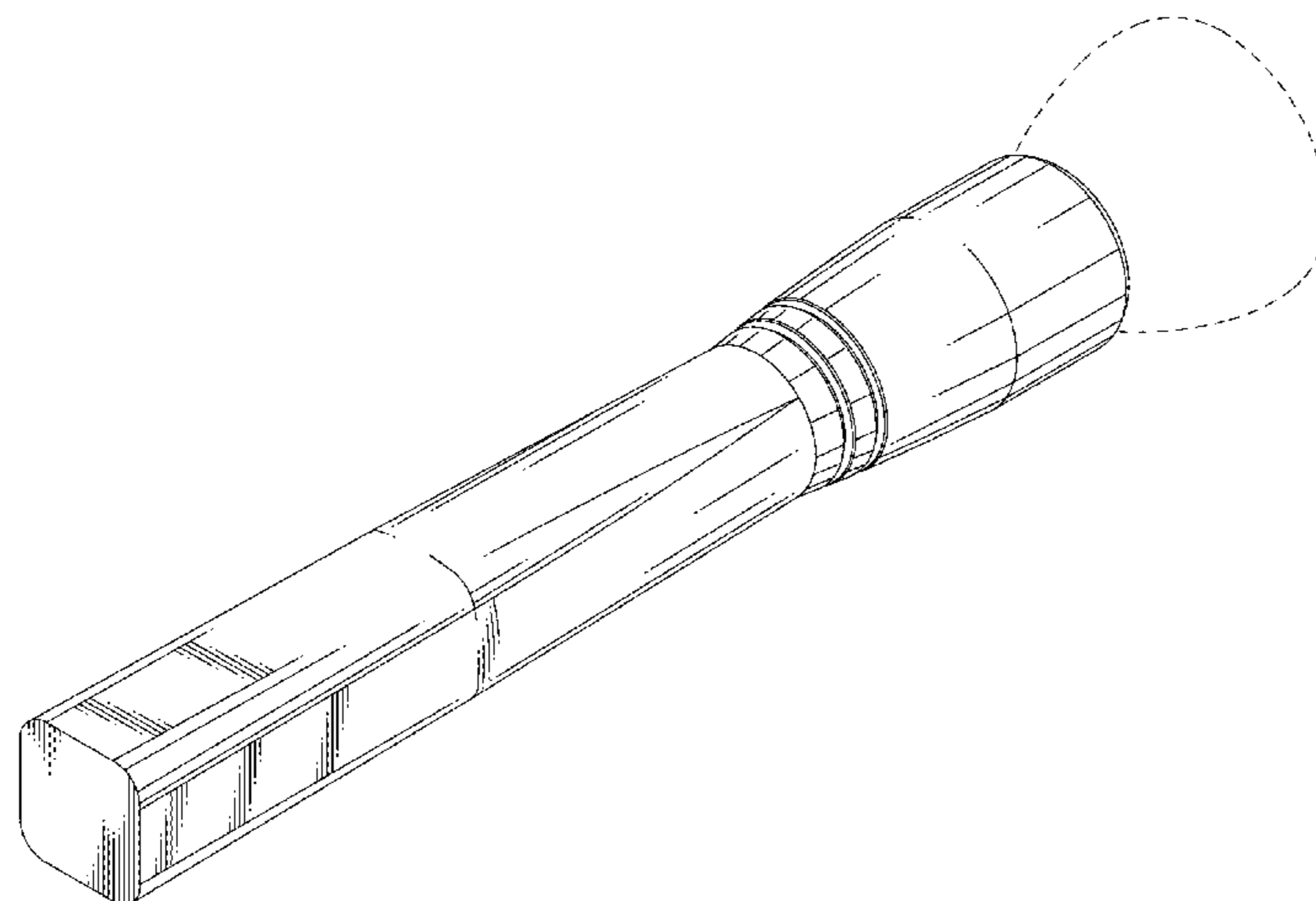
(57) **CLAIM**

The ornamental design for a square-to-round brush, as shown and described.

DESCRIPTION

FIG. 1 is a perspective view of a square-to-round brush; FIG. 2 is a top plan view of the square-to-round brush of FIG. 1, the bottom plan view, left-side elevation view, and right-side elevation views being identical to the top plan view; FIG. 3 is a back elevation view of the square-to-round brush of FIG. 1, the back elevation view being a mirror image of the front elevation view; and, FIG. 4 is a front elevation view of the square-to-round brush of FIG. 1. The broken line showing of the brush head illustrates a portion of the brush that forms no part of the claimed design.

1 Claim, 2 Drawing Sheets



(56)

References Cited

U.S. PATENT DOCUMENTS

| | | | | |
|--------------|------|---------|--------------------|---------|
| 6,957,468 | B2 | 10/2005 | Driesen et al. | |
| 7,073,902 | B2 | 7/2006 | Codos et al. | |
| 7,096,598 | B1 | 8/2006 | Myatt | |
| 7,448,111 | B2 | 11/2008 | Bigio | |
| 7,727,634 | B2 | 6/2010 | Yacovone | |
| 7,766,440 | B2 | 8/2010 | Kusunoki | |
| 7,866,758 | B2 * | 1/2011 | Jang | 300/21 |
| 8,136,536 | B2 | 3/2012 | Bickford | |
| 8,230,543 | B2 * | 7/2012 | Shrier et al. | 15/145 |
| 2008/0309017 | A1 | 12/2008 | Mattice | |
| 2012/0260931 | A1 * | 10/2012 | Martin et al. | 132/200 |

OTHER PUBLICATIONS

CN 3412783 Registered Design, (Tianjin Samsung Brushes Ltd.) Dec. 22, 2004, [online], [retrieved on Oct. 3, 2014] Retrieved from the Questel Intellectual Property Portal Design Database using the Internet: <URL: <http://www.orbit.com>>.*

CN 3466155 Registered Design, (Tianjin Samsung Brushes Ltd.) Aug. 10, 2005, [online], [retrieved Aug. 26, 2014] Retrieved from the Questel Intellectual Property Portal Design Database using the Internet: <URL: <http://www.orbit.com>>.*

Non Optional UK Beauty and Lifestyle Blog, Posted by Nicola Surrey, Aug. 2012 [online], Sephora Classic Mineral Powder Brush, p. 16, [retrieved on Jan. 9, 2015] Retrieved from the Internet: <URL: http://non-optional.blogspot.com/2012_08_01_archive.html>.*

* cited by examiner

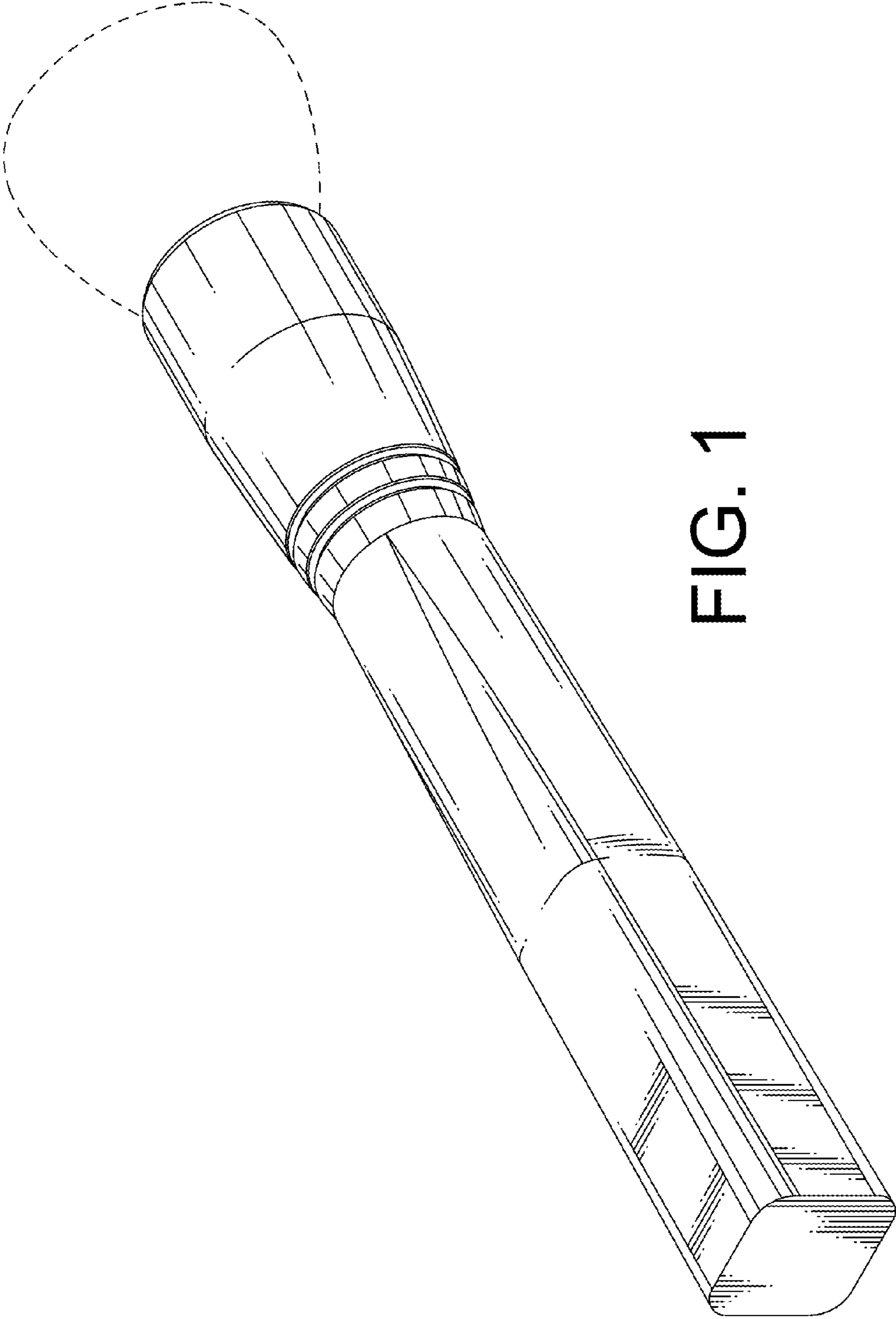


FIG. 1

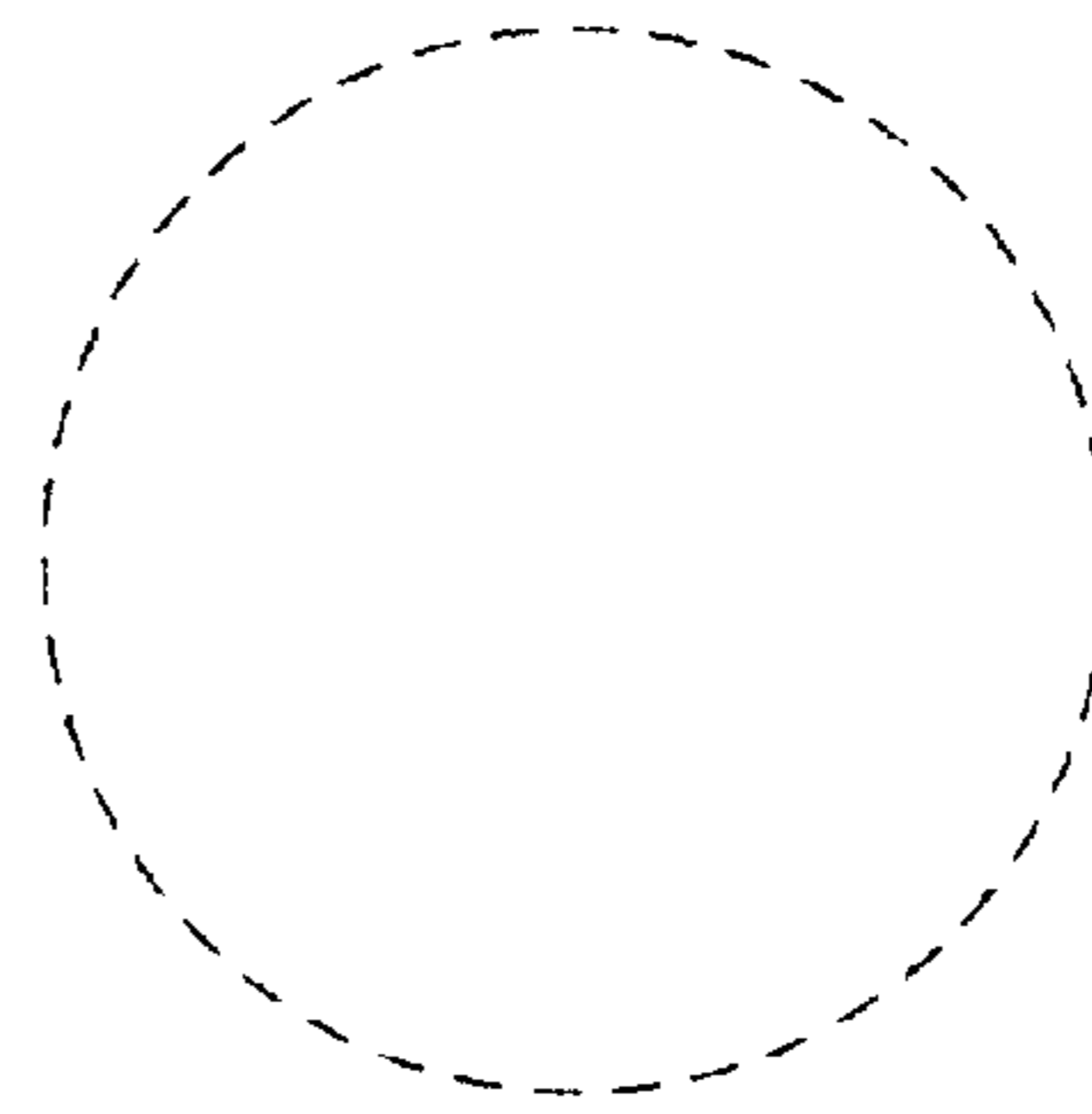
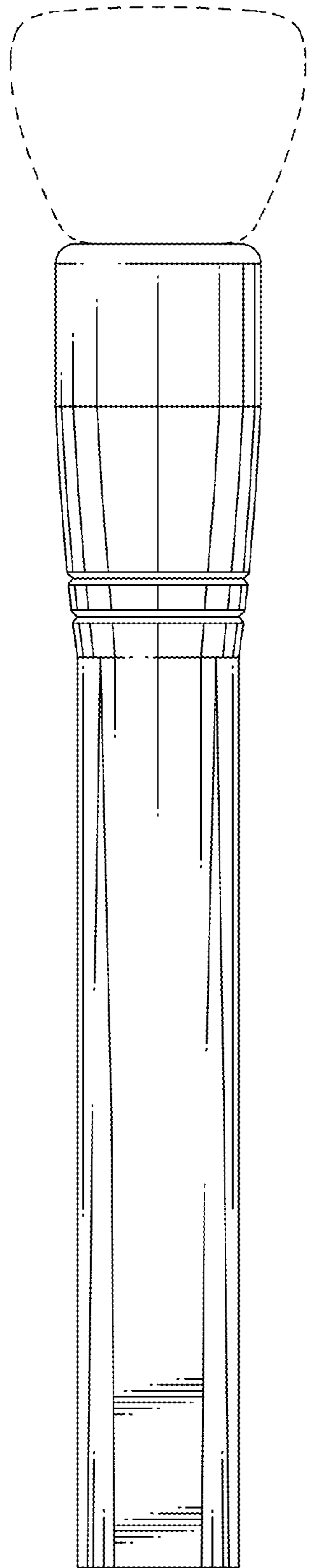


FIG. 3

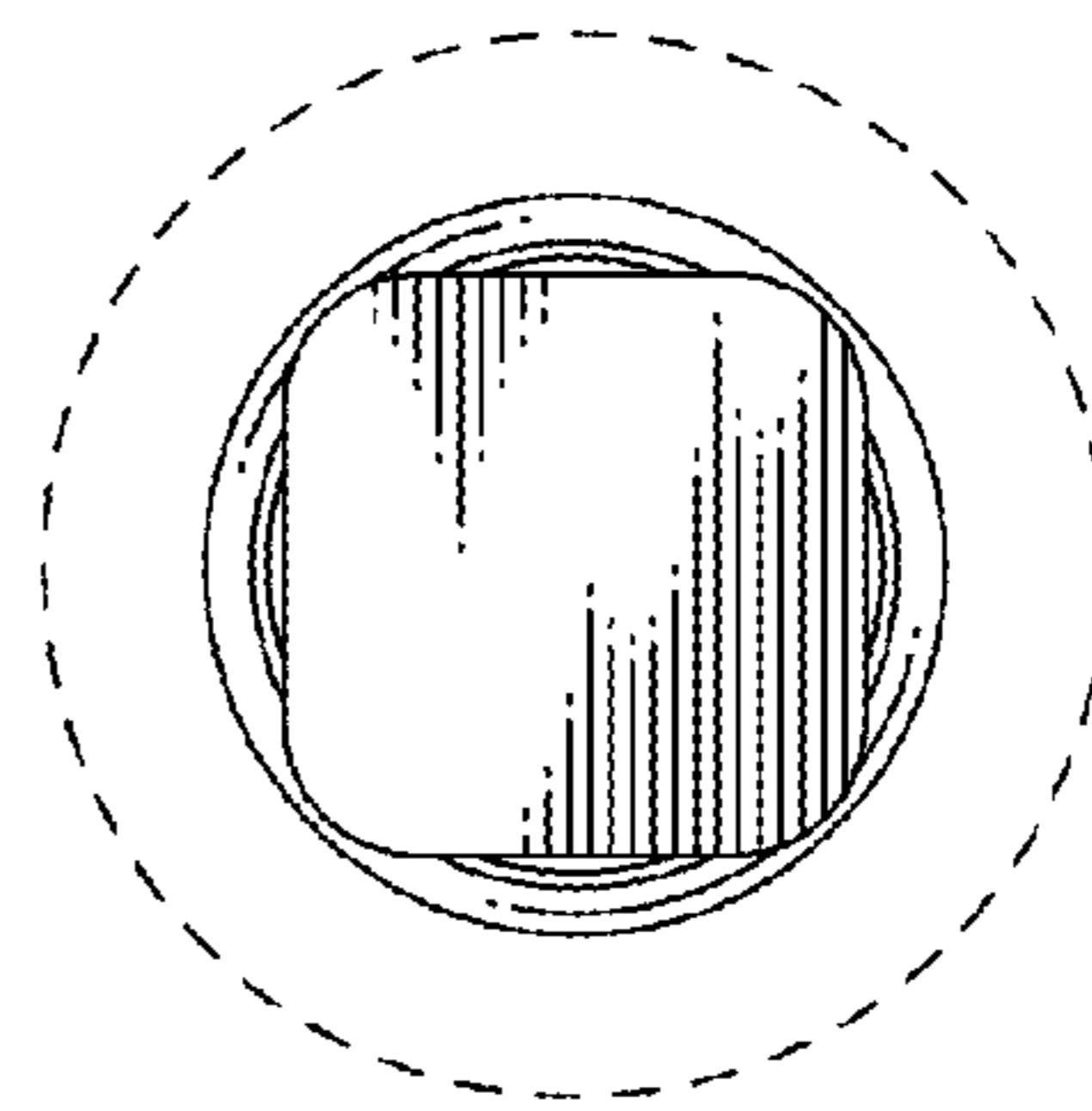


FIG. 4

FIG. 2