

US00D730060S

(12) **United States Design Patent**
Rennette

(10) **Patent No.:** **US D730,060 S**
(45) **Date of Patent:** **** May 26, 2015**

- (54) **HAIR BRUSH**
- (71) Applicant: **Jean Rennette**, Walnut Creek, CA (US)
- (72) Inventor: **Jean Rennette**, Walnut Creek, CA (US)
- (**) Term: **14 Years**
- (21) Appl. No.: **29/487,173**
- (22) Filed: **Apr. 6, 2014**
- (30) **Foreign Application Priority Data**

D555,907 S	11/2007	Rennette	
D569,108 S *	5/2008	Park	D4/128
D573,755 S	7/2008	Rennette	
D621,163 S	8/2010	Rennette	
D624,321 S	9/2010	Rennette	
D627,568 S	11/2010	Rennette	
D644,440 S	9/2011	Rennette	
D646,488 S	10/2011	Rennette	
D648,540 S	11/2011	Rennette	
D652,219 S *	1/2012	Park	D4/128
D653,038 S *	1/2012	Park	D4/128
D658,892 S *	5/2012	Console	D4/121
D679,910 S *	4/2013	Nimsgern	D4/128
D684,373 S	6/2013	Rennette	
D710,114 S *	8/2014	Yao	D4/128

Dec. 4, 2013 (KR) 30-2013-0061171

* cited by examiner

- (51) **LOC (10) Cl.** **04-02**
- (52) **U.S. Cl.**
USPC **D4/128**
- (58) **Field of Classification Search**
CPC A46B 2200/10; A46B 2200/104;
A45D 2/10; A45D 1/00; A46D 1/003; A46D
3/087
USPC D4/128, 129, 131, 136, 138, 108, 109,
D4/119; D32/35, 51; 15/104.5, 104.16,
15/104.2, 104.31, 104.32, 164, 165, 206;
D28/65; D7/682; 452/298, 458
See application file for complete search history.

Primary Examiner — Austin Murphy
(74) *Attorney, Agent, or Firm* — Volk & McElroy, LLP;
Michael D. Volk, Jr.

(57) **CLAIM**
The ornamental design for a hair brush, as shown.

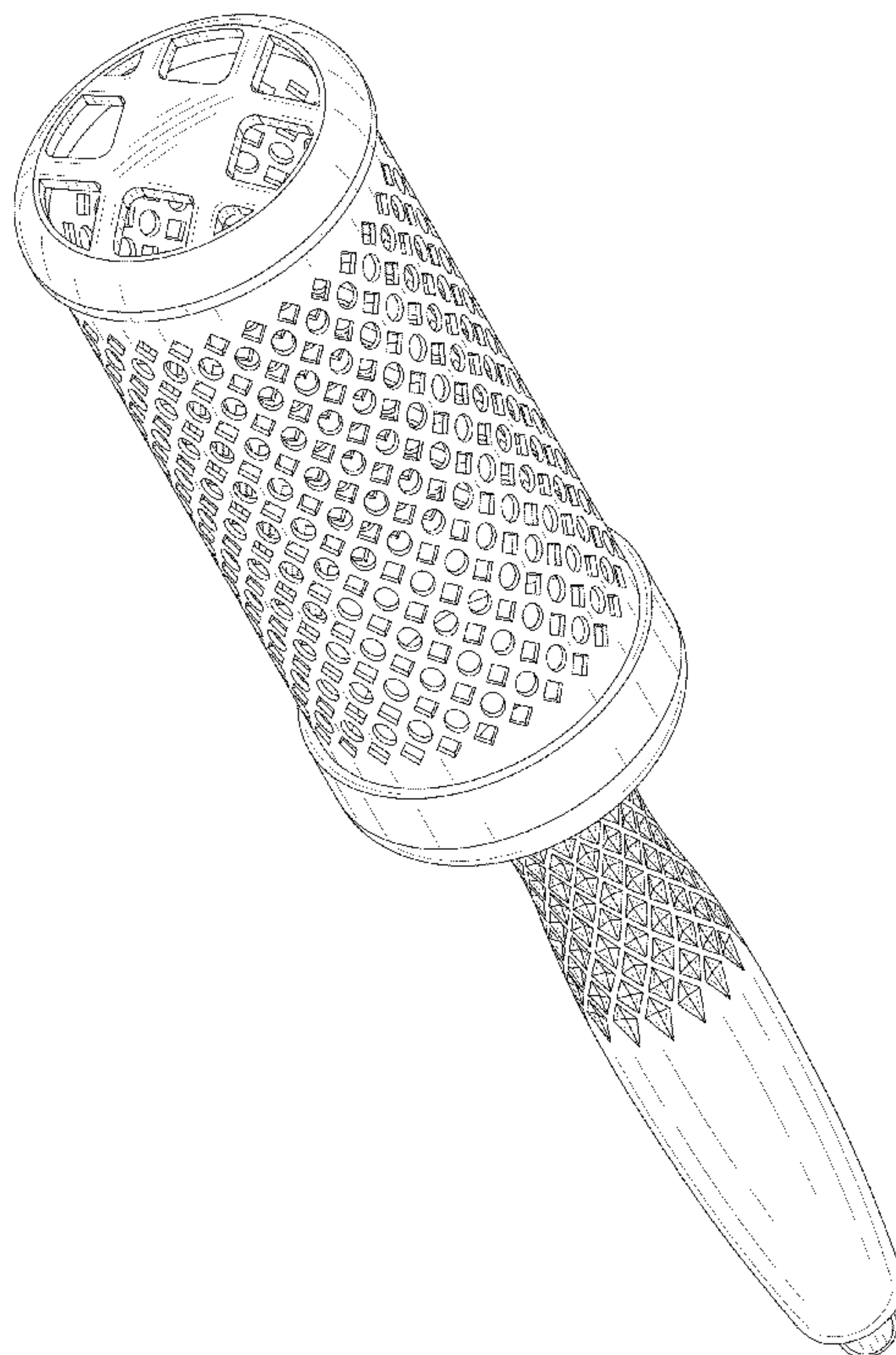
DESCRIPTION

FIG. 1 is a perspective view of a hair brush showing my new design.
FIG. 2 is a front or rear view thereof.
FIG. 3 is a left side or right side view thereof.
FIG. 4 is a top view thereof; and,
FIG. 5 is a bottom view thereof.
To show the clarity of my design, hair brush bristles have not been show.

- (56) **References Cited**
U.S. PATENT DOCUMENTS

D461,316 S *	8/2002	Park	D4/128
D510,192 S *	10/2005	Kampel et al.	D4/128
7,210,186 B2 *	5/2007	Bigio	15/160

1 Claim, 3 Drawing Sheets



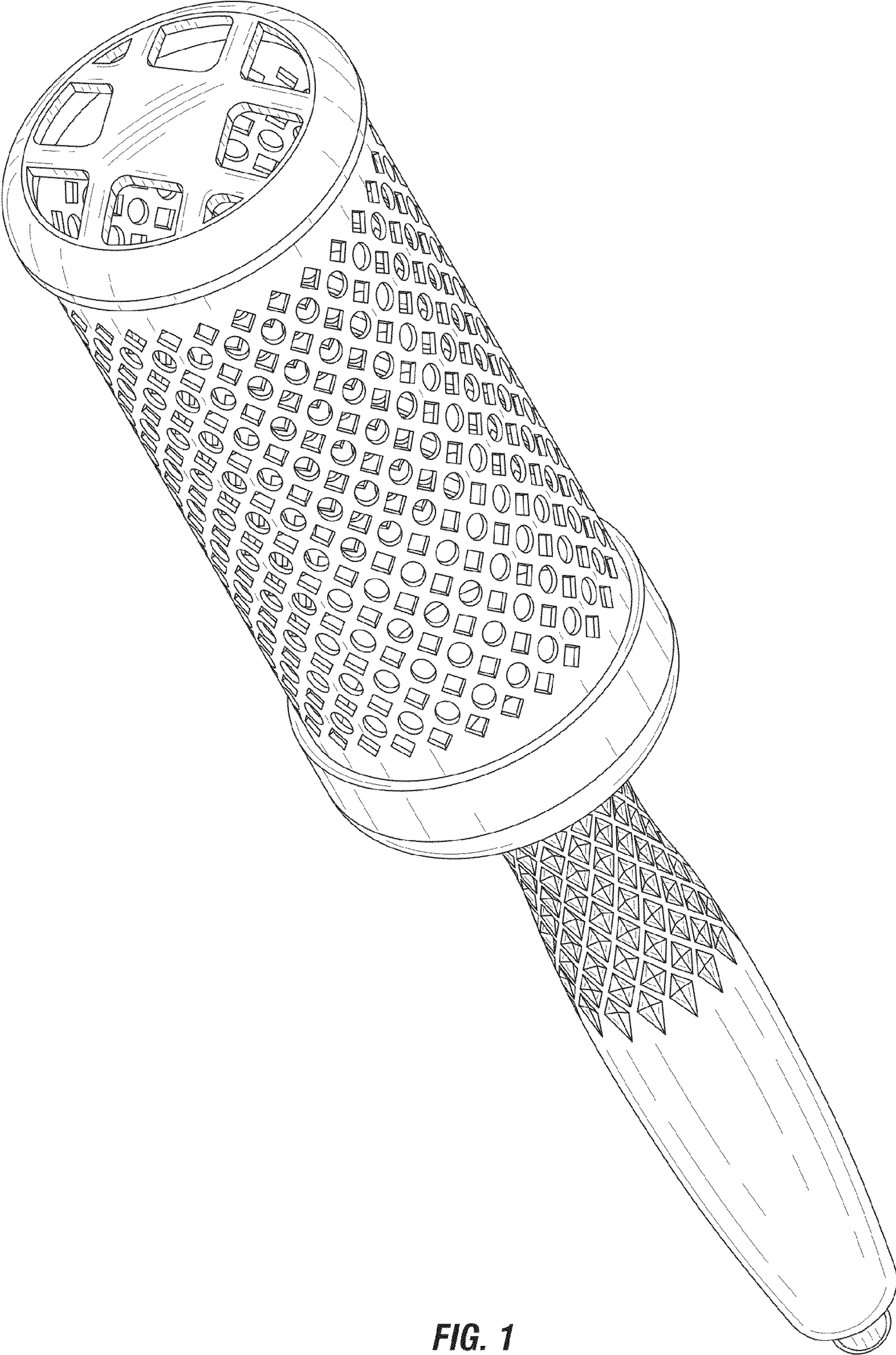


FIG. 1

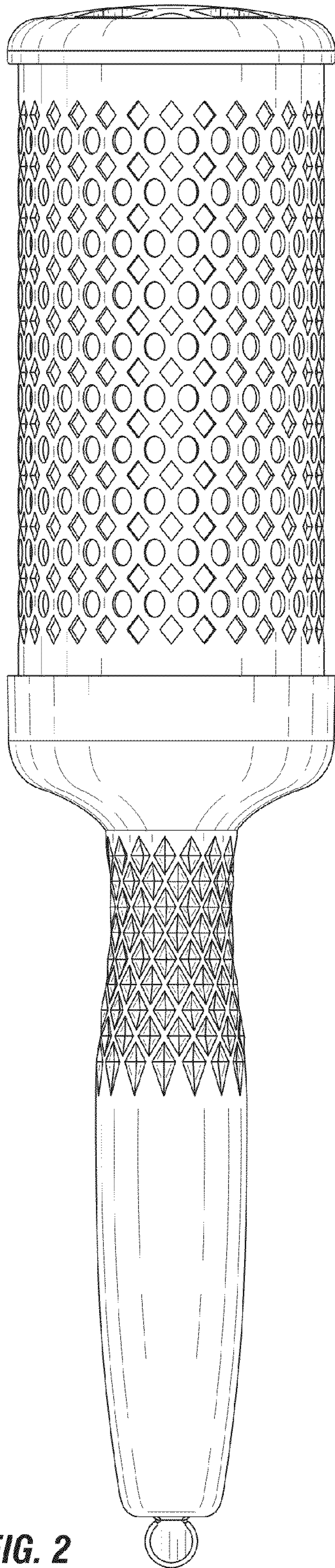


FIG. 2

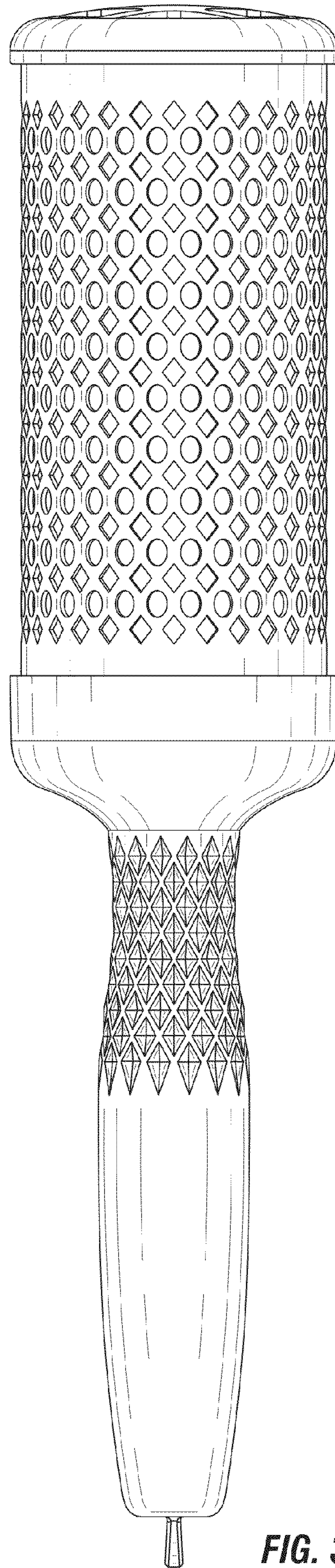


FIG. 3

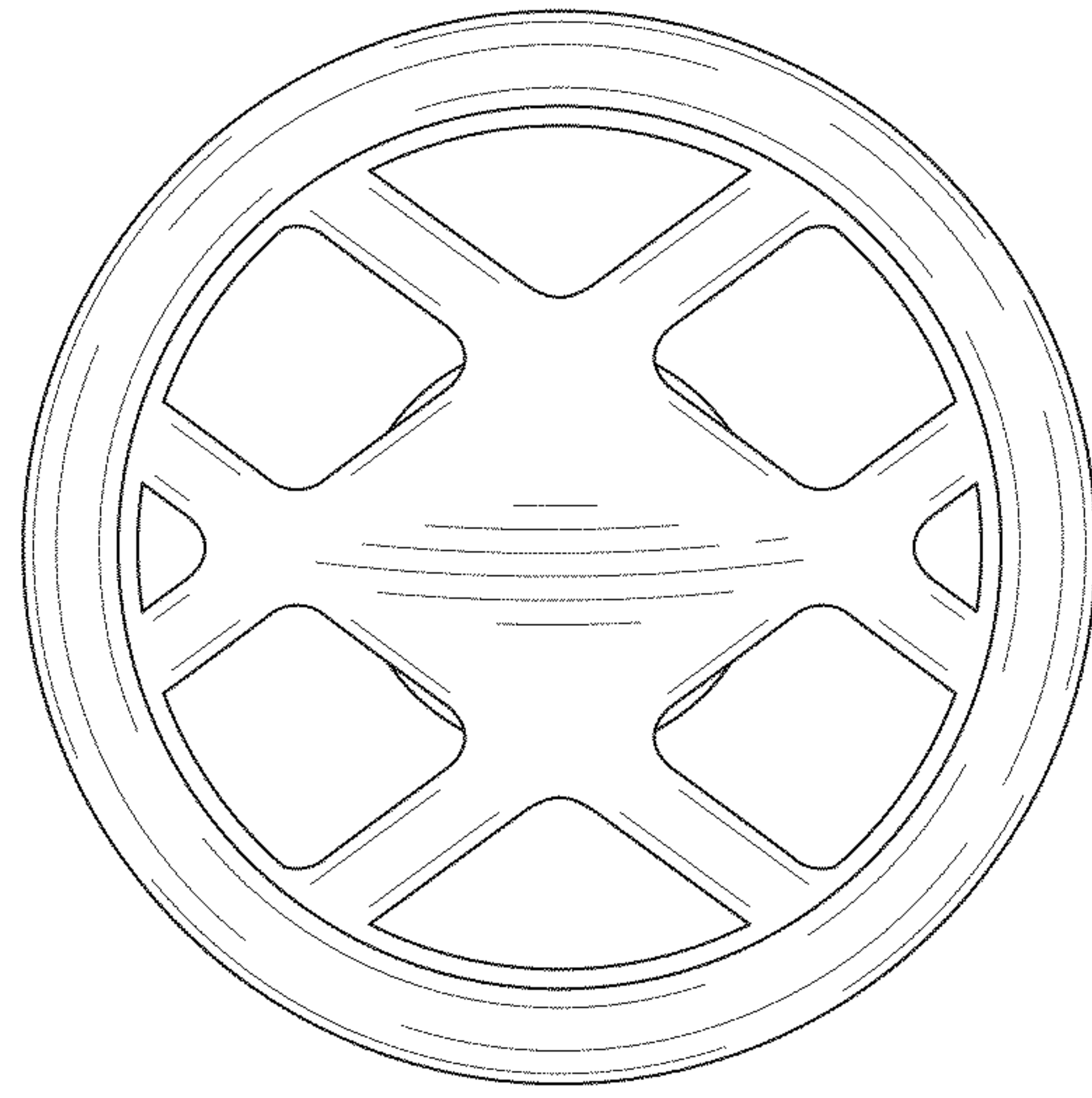


FIG. 4

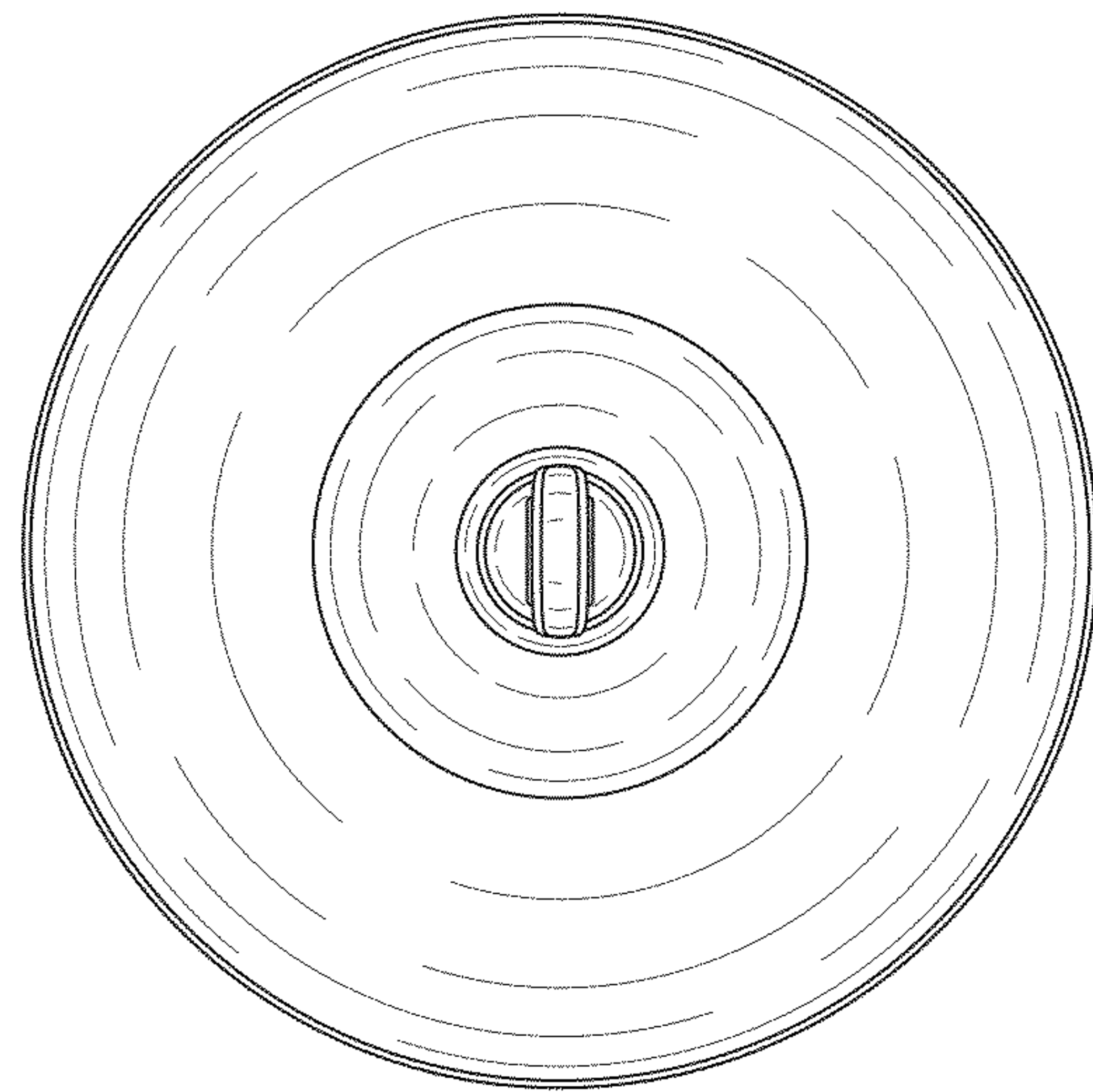


FIG. 5