



US00D730058S

(12) **United States Design Patent**
Hazlewood

(10) **Patent No.:** **US D730,058 S**

(45) **Date of Patent:** **** May 26, 2015**

(54) **ACCESSORY BAG ATTACHABLE TO LUGGAGE**

(71) Applicant: **Pam Hazlewood**, Pittsburg, TX (US)

(72) Inventor: **Pam Hazlewood**, Pittsburg, TX (US)

(**) Term: **14 Years**

(21) Appl. No.: **29/483,892**

(22) Filed: **Mar. 4, 2014**

(51) **LOC (10) Cl.** **03-01**

(52) **U.S. Cl.**
USPC **D3/318**

(58) **Field of Classification Search**
CPC B65D 33/00; A45C 5/14; A45C 13/03
USPC D3/318, 272
See application file for complete search history.

(56) **References Cited**

U.S. PATENT DOCUMENTS

3,830,348	A	8/1974	Ohyama	
4,685,546	A	8/1987	Sadow	
D323,744	S *	2/1992	Casale	D3/230
5,377,887	A	1/1995	Garcia	
5,540,364	A	7/1996	Krieger et al.	
5,772,036	A *	6/1998	Muncy et al.	206/581
D402,464	S *	12/1998	Gianettoni et al.	D3/284
5,887,770	A	3/1999	Covell	
5,944,155	A	8/1999	Geary	
6,098,769	A *	8/2000	Yen	190/108
6,109,402	A	8/2000	Godshaw et al.	
6,213,266	B1 *	4/2001	Hollingsworth	190/108
D528,298	S *	9/2006	Vernon et al.	D3/293
7,140,479	B2	11/2006	Mangano et al.	

* cited by examiner

Primary Examiner — Holly Baynham

(74) *Attorney, Agent, or Firm* — Robert C. Montgomery; Montgomery Patent & Design LP.

(57) **CLAIM**

The ornamental design for an accessory bag attachable to luggage, as shown and described.

DESCRIPTION

FIG. 1 is a perspective view of an accessory bag attachable to luggage showing a disclaimed second bag in connection thereto, wherein the broken lines on the accessory bag attachable to luggage represent fasteners;

FIG. 2 is a perspective view of the accessory bag attachable to luggage, wherein the broken lines represent fasteners;

FIG. 3 is an environmental view of FIG. 1 showing the claimed design applied to a luggage piece as part of the environment;

FIG. 4 is a front view of FIG. 2;

FIG. 5 is a rear view of FIG. 2;

FIG. 6 is a left-hand side view of FIG. 2, wherein a right-hand side view is a mirror image of the left-hand side view;

FIG. 7 is a top view of FIG. 2;

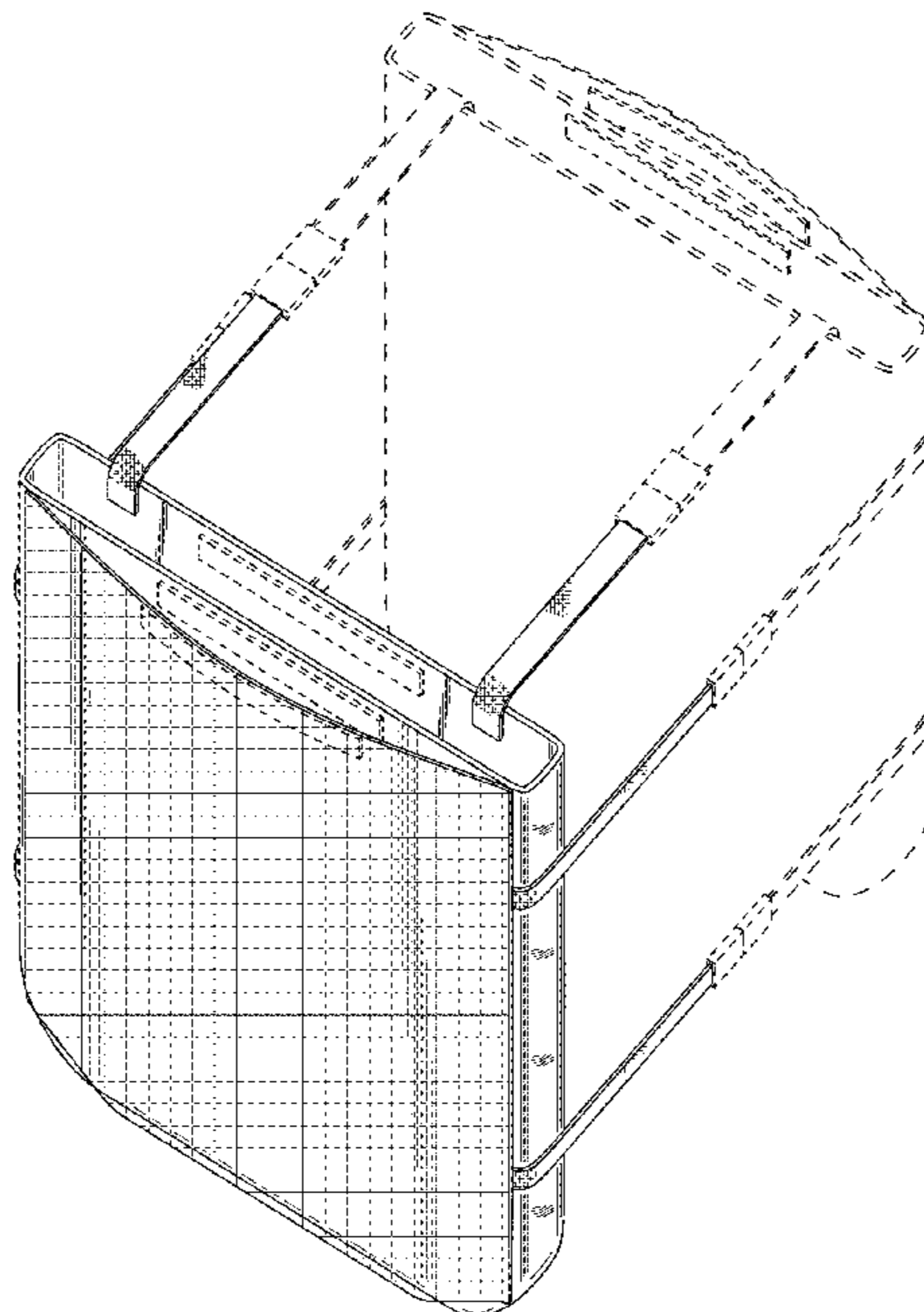
FIG. 8 is a bottom view of FIG. 2; and,

FIG. 9 is a cross-sectional left view cut along line 9-9 of FIG. 4 with the left view being a mirror image.

The broken lines illustrated in FIGS. 1 through 9 either represent the environment and form no part of the claimed design or represent the bounds and form no part of the claimed design.

The broken lines showing luggage structure is for illustrative purposes only and forms no part of the claimed design.

1 Claim, 9 Drawing Sheets



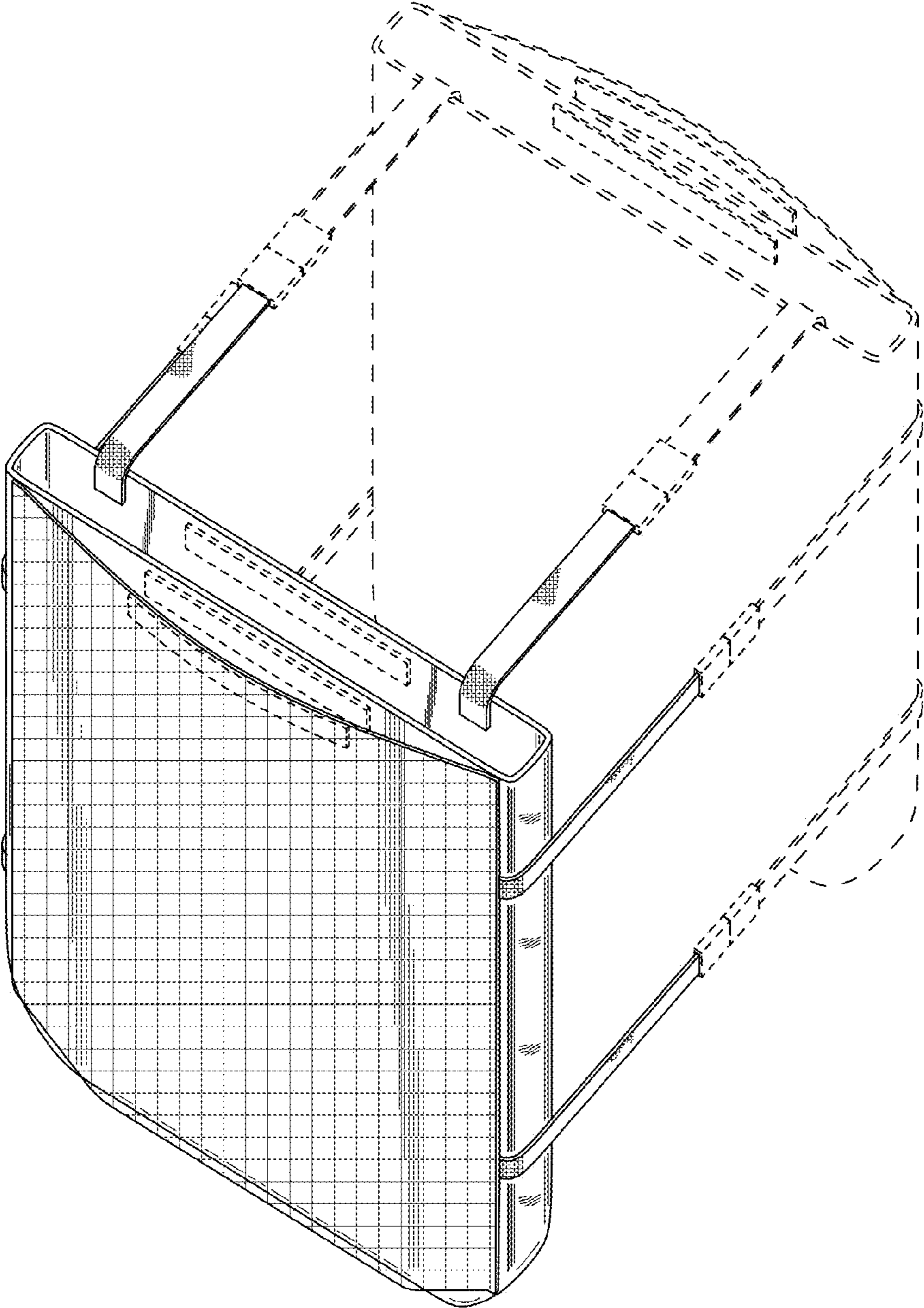


Fig. 1

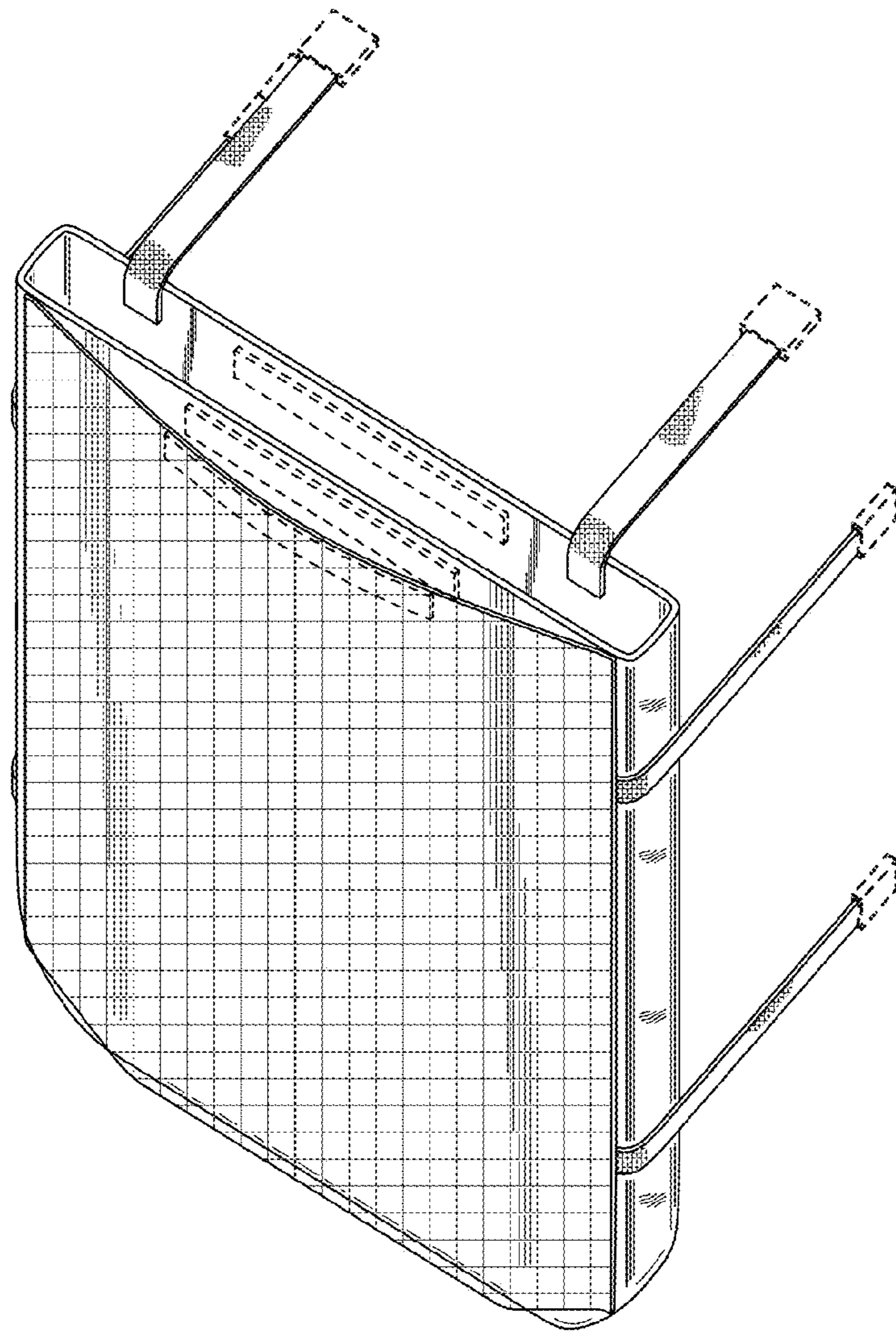


Fig. 2

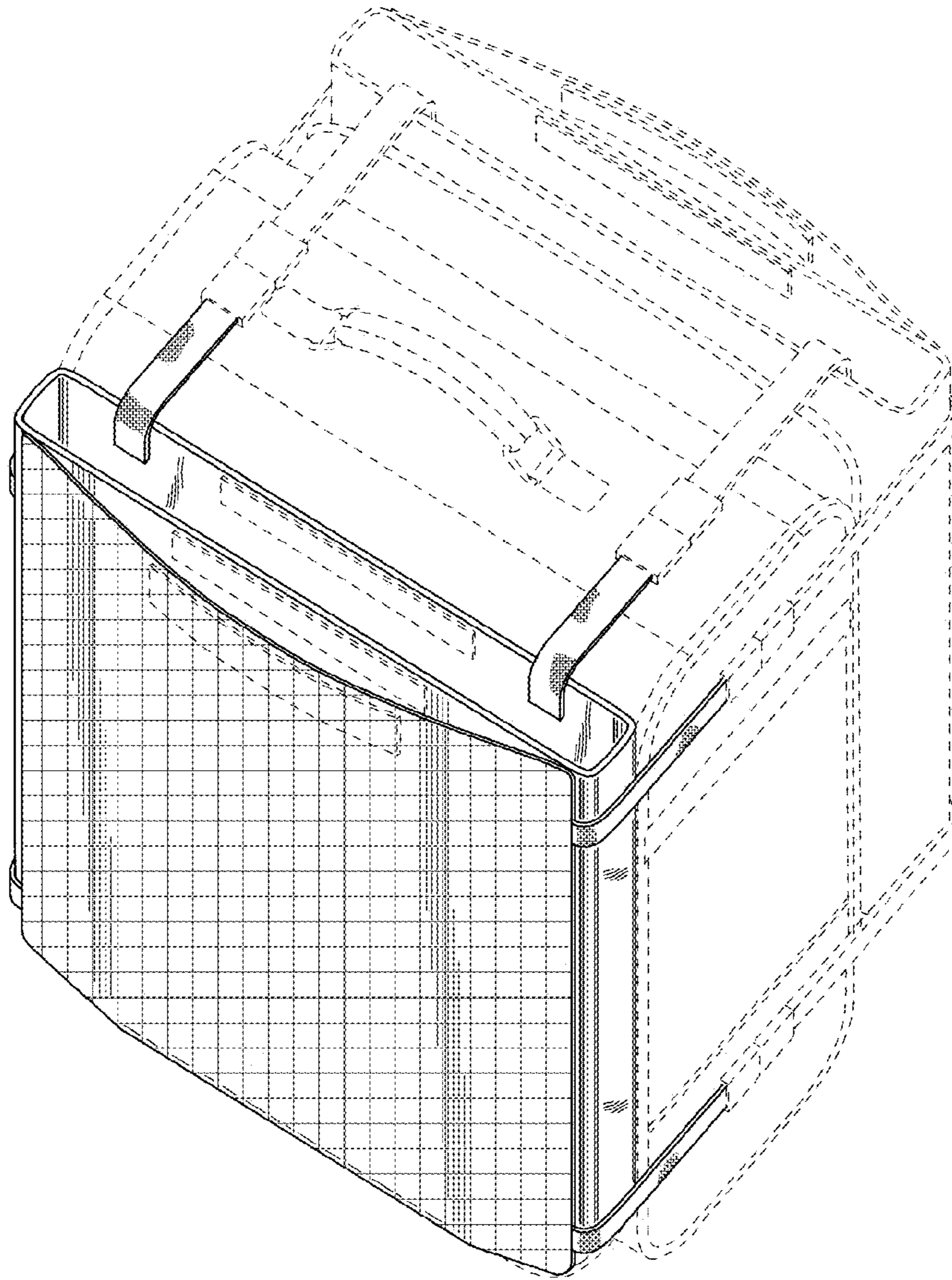


Fig. 3

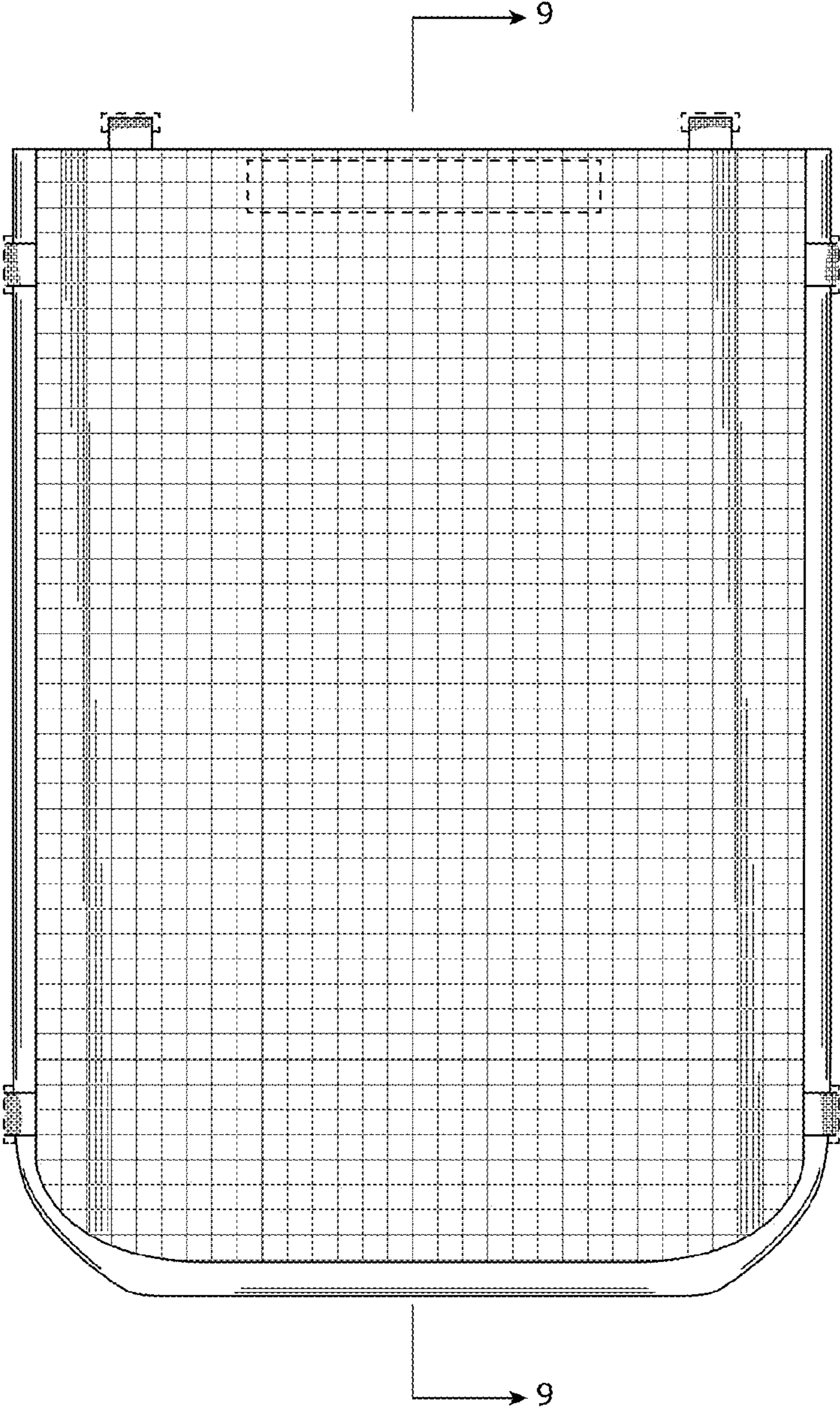


Fig. 4

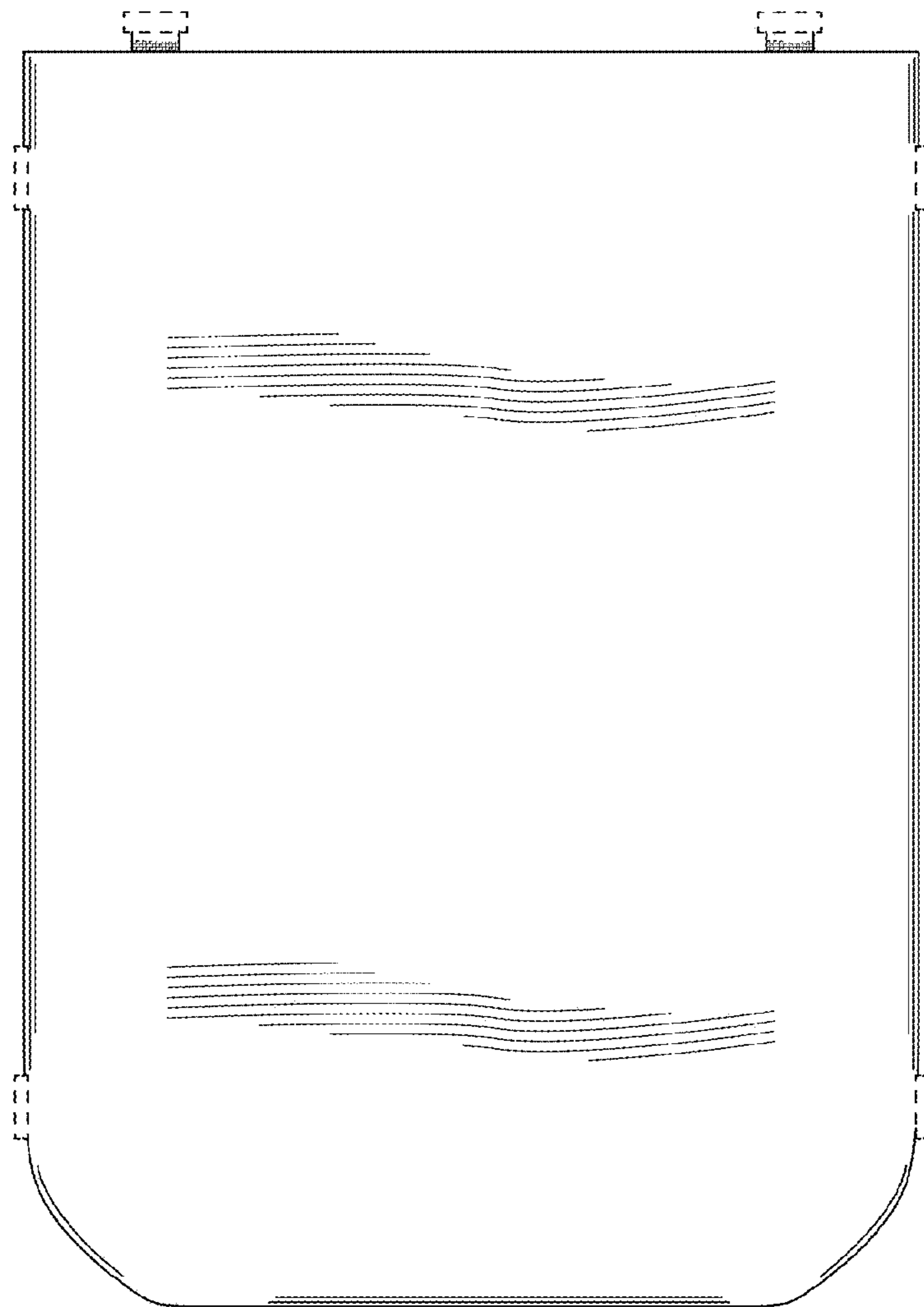


Fig. 5

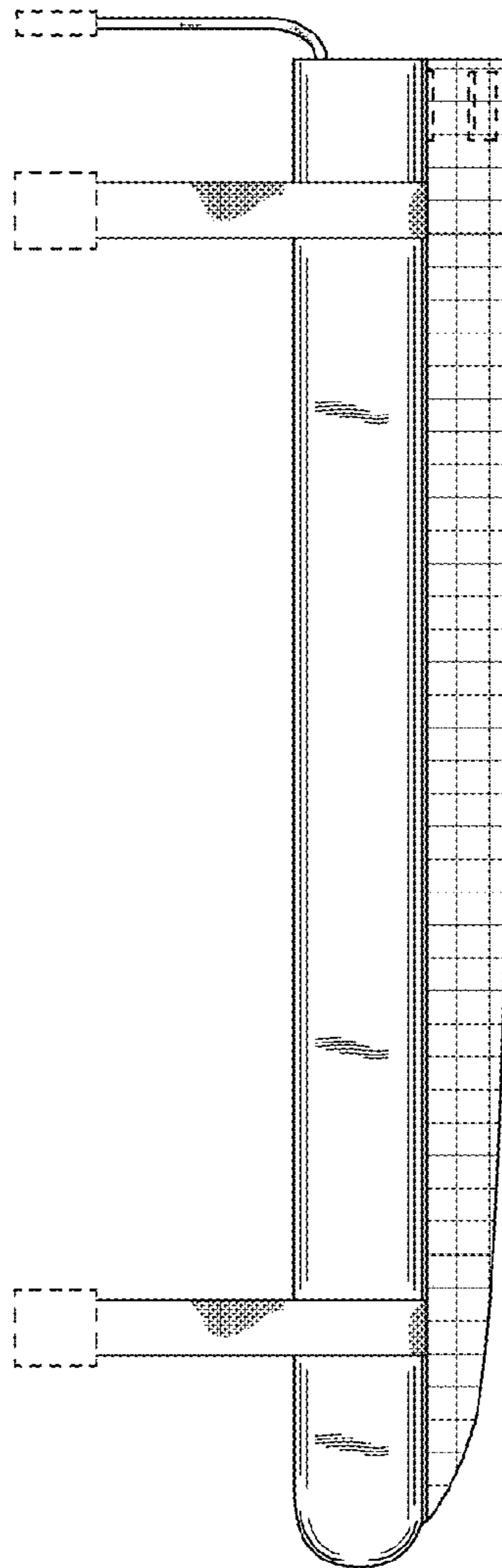


Fig. 6

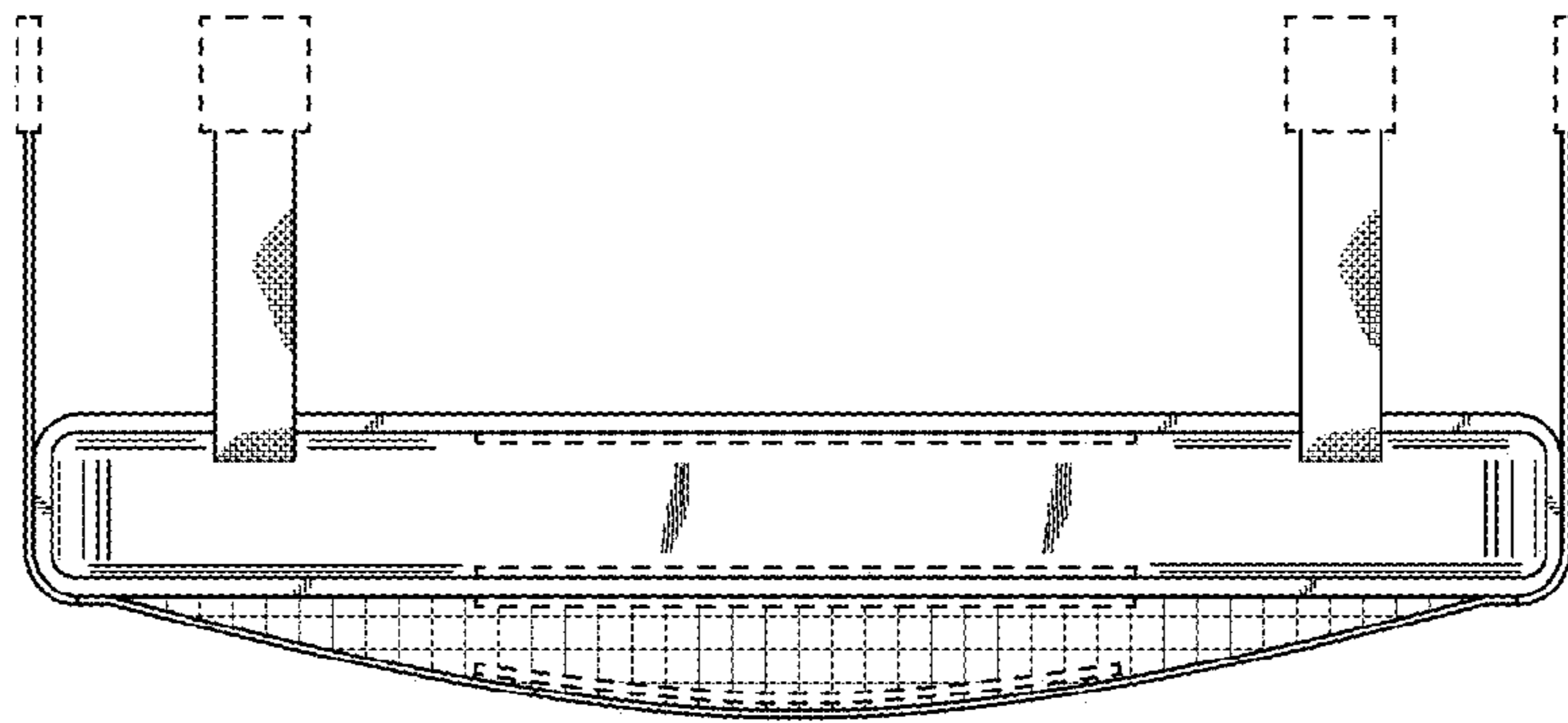


Fig. 7

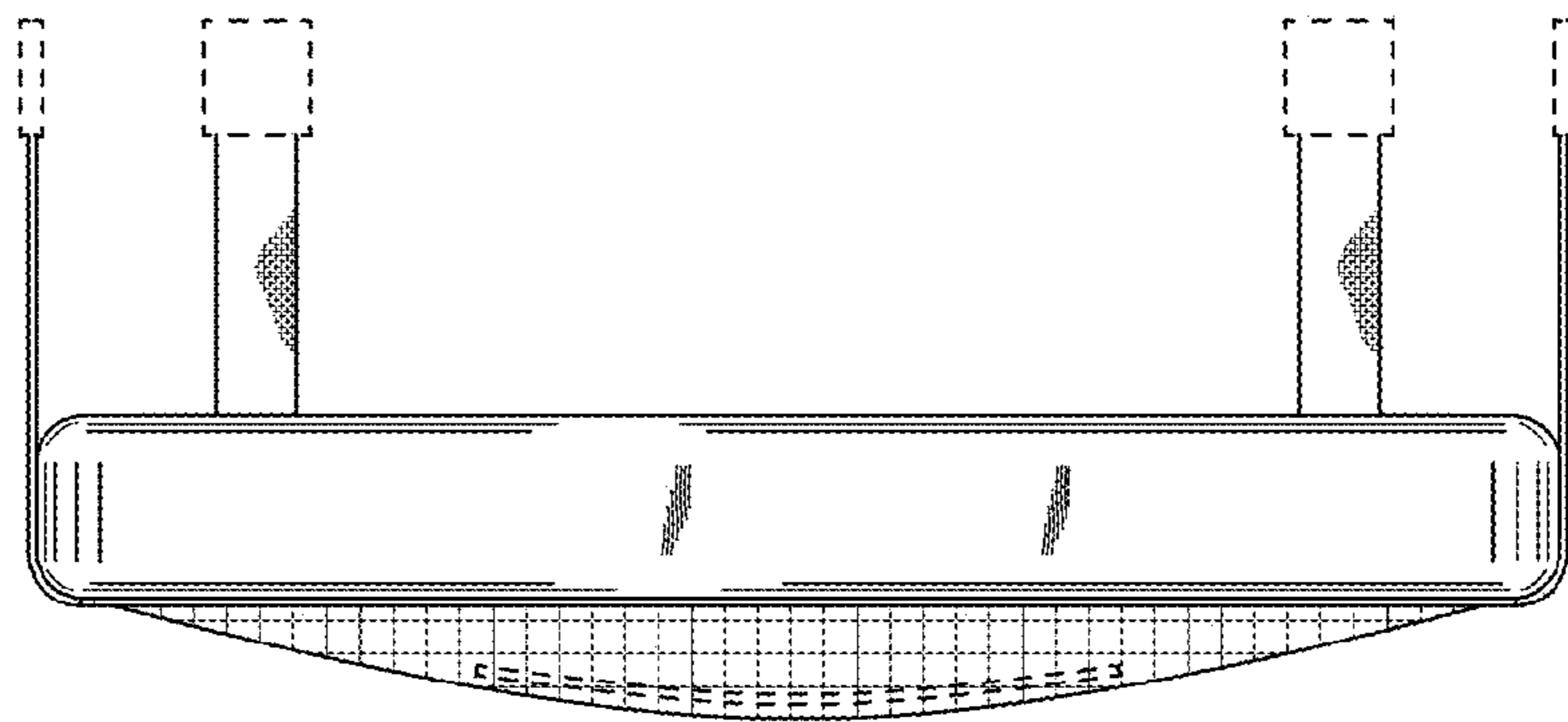


Fig. 8

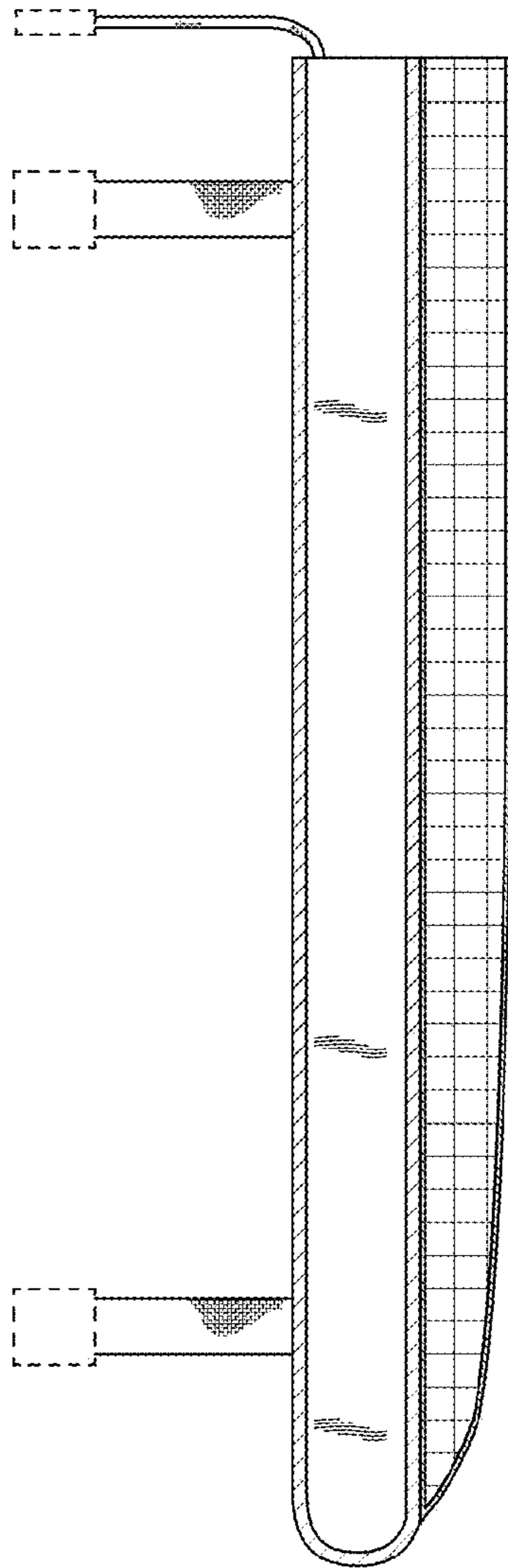


Fig. 9