



US00D730056S

(12) **United States Design Patent**  
**Nishimoto**

(10) **Patent No.:** **US D730,056 S**

(45) **Date of Patent:** **\*\* May 26, 2015**

(54) **HOOD OF A BAG**

(71) Applicant: **ACT Co. Ltd.**, Matsubara-shi (JP)

(72) Inventor: **Shinji Nishimoto**, Matsubara (JP)

(73) Assignee: **ACT CO. LTD.**, Matsubara-Shi (JP)

(\*\*) Term: **14 Years**

(21) Appl. No.: **29/459,729**

(22) Filed: **Jul. 2, 2013**

(30) **Foreign Application Priority Data**

Mar. 6, 2013 (JP) ..... 2013-004913  
Mar. 6, 2013 (JP) ..... 2013-004914

(51) **LOC (10) Cl.** ..... **03-01**

(52) **U.S. Cl.**  
USPC ..... **D3/318**

(58) **Field of Classification Search**  
CPC ..... A45C 1/024; A45C 3/06  
USPC ..... D3/318  
See application file for complete search history.

(56) **References Cited**

**U.S. PATENT DOCUMENTS**

D528,798 S \* 9/2006 Molina ..... D3/318  
D680,332 S \* 4/2013 Webster ..... D3/318

**OTHER PUBLICATIONS**

Design Prior Art Reference listing as provided to the Japanese Patent Office in corresponding priority applications Dec. 21, 2010 Heisei.

\* cited by examiner

*Primary Examiner* — Holly Baynham

(74) *Attorney, Agent, or Firm* — Knobbe Martens Olson & Bear LLP

(57) **CLAIM**

The ornamental design for a hood of a bag, as shown and described.

**DESCRIPTION**

FIG. 1 is a front elevational view of one embodiment of a hood of a bag having ears and showing our new design.

FIG. 2 is a rear elevational view thereof.

FIG. 3 is a left side elevational view thereof.

FIG. 4 is a right side elevational view thereof.

FIG. 5 is a top plan view thereof.

FIG. 6 is a bottom plan view thereof.

FIG. 7 is the front elevational view thereof illustrating the hood in an extended position.

FIG. 8 is the rear elevational view thereof illustrating the hood in an extended position.

FIG. 9 is front elevational view of a second embodiment of the hood of a bag showing our new design with ears disclaimed.

FIG. 10 is a rear elevational view thereof.

FIG. 11 is a left side elevational view thereof.

FIG. 12 is a right side elevational view thereof.

FIG. 13 is a top plan view thereof.

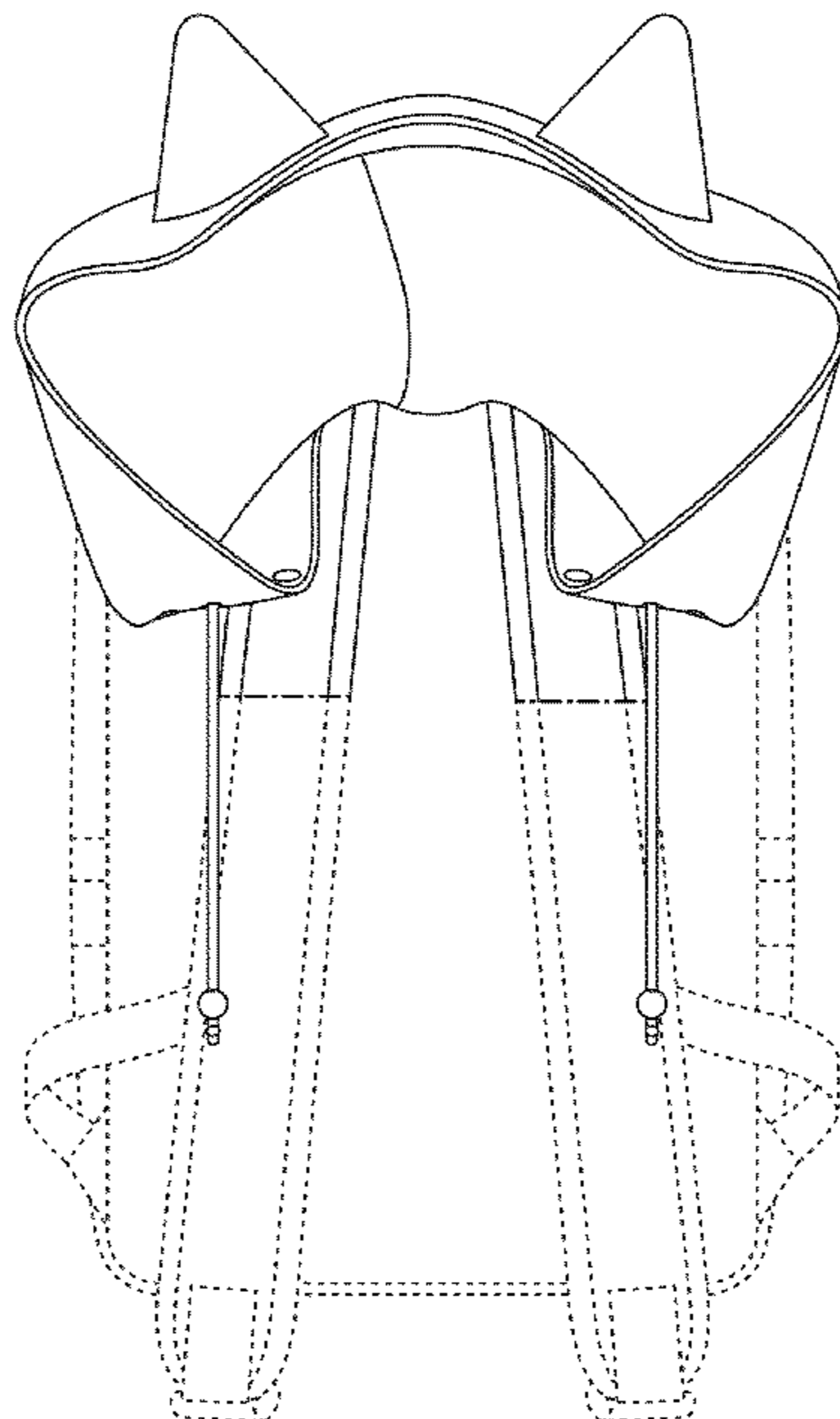
FIG. 14 is a bottom plan view thereof.

FIG. 15 is the front elevational view thereof illustrating the hood in an extended position; and,

FIG. 16 is the rear elevational view thereof illustrating the hood in an extended position.

The dotted broken lines in the figure drawings illustrate environment and form no part of the claimed design.

**1 Claim, 16 Drawing Sheets**



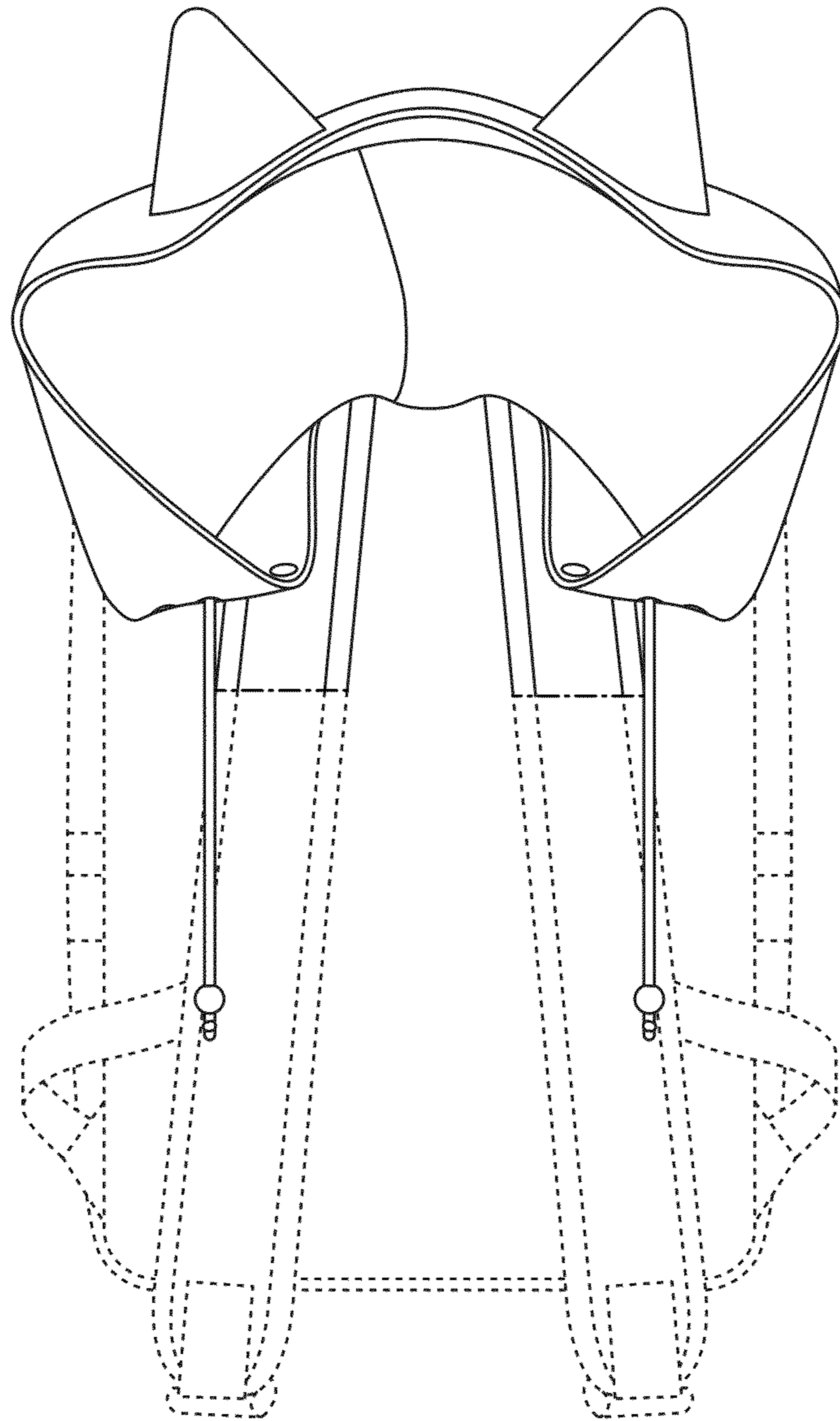


FIG. 1

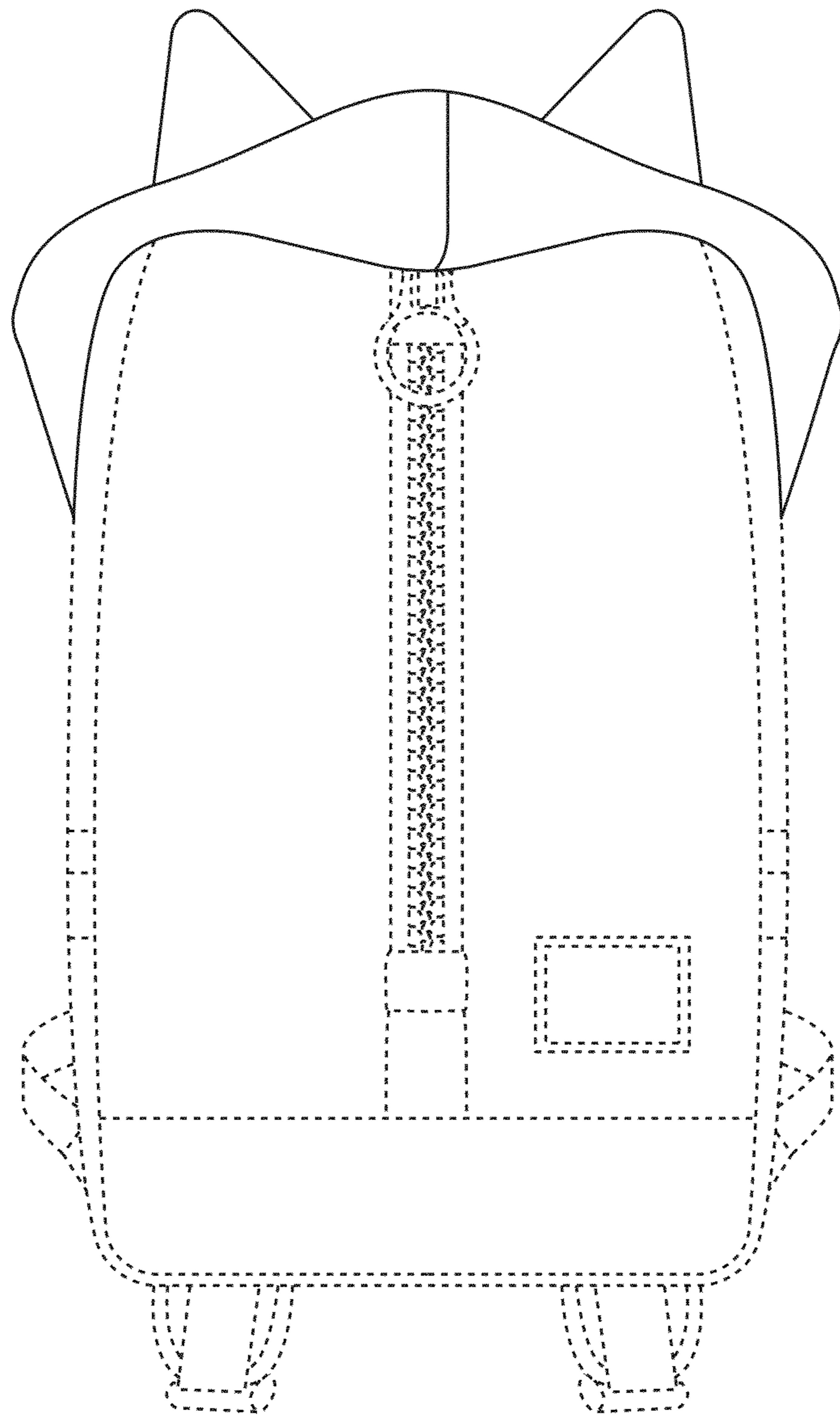


FIG. 2

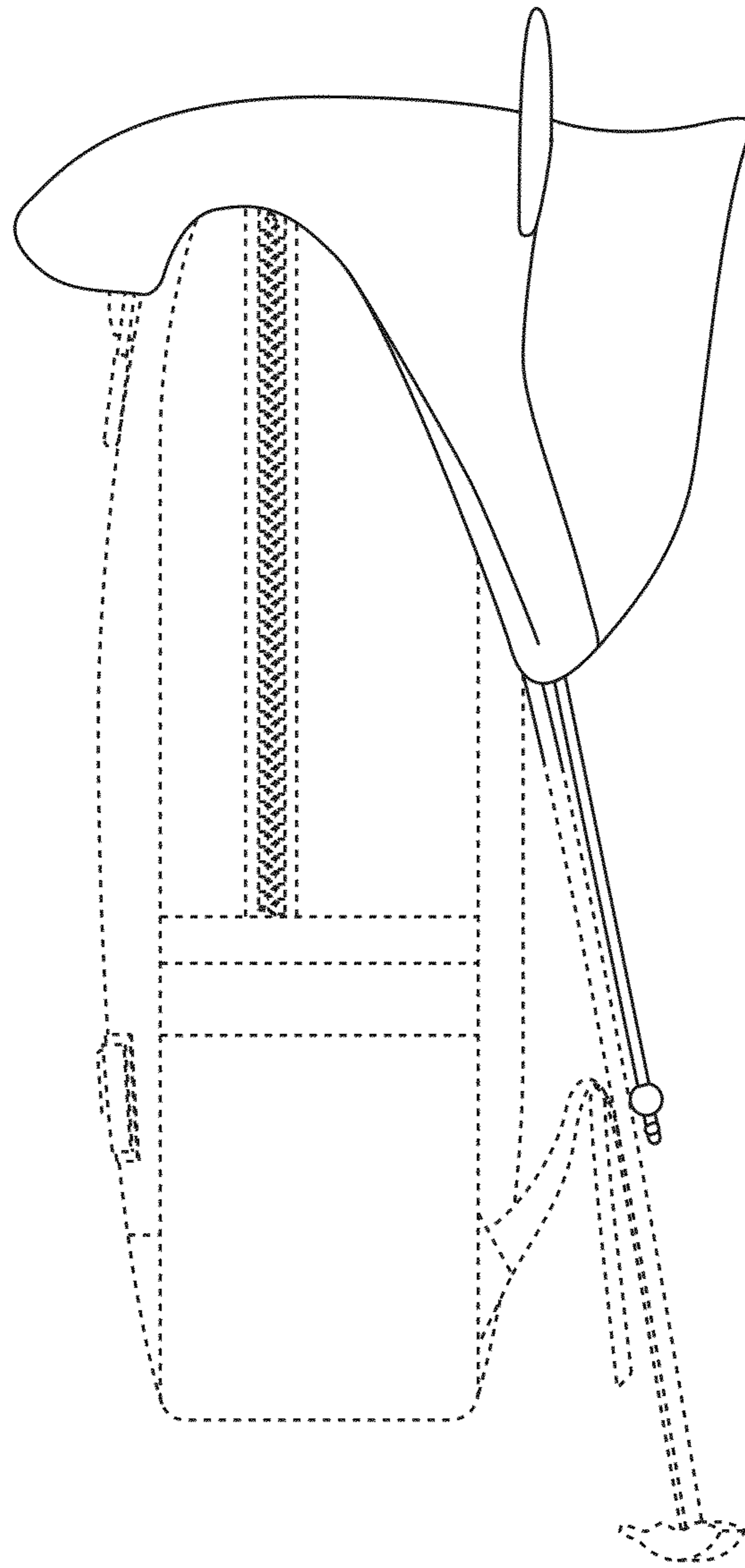


FIG. 3

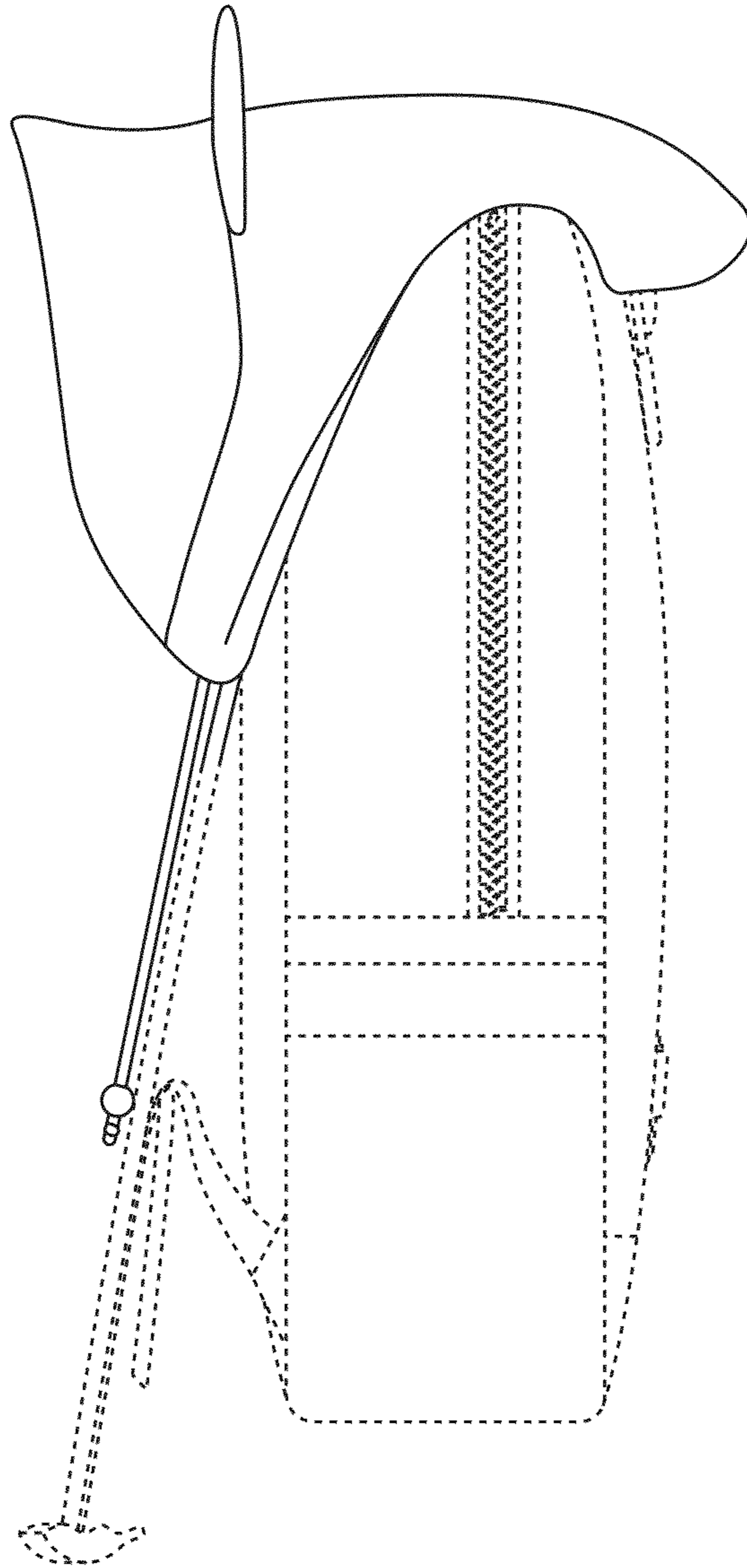


FIG. 4



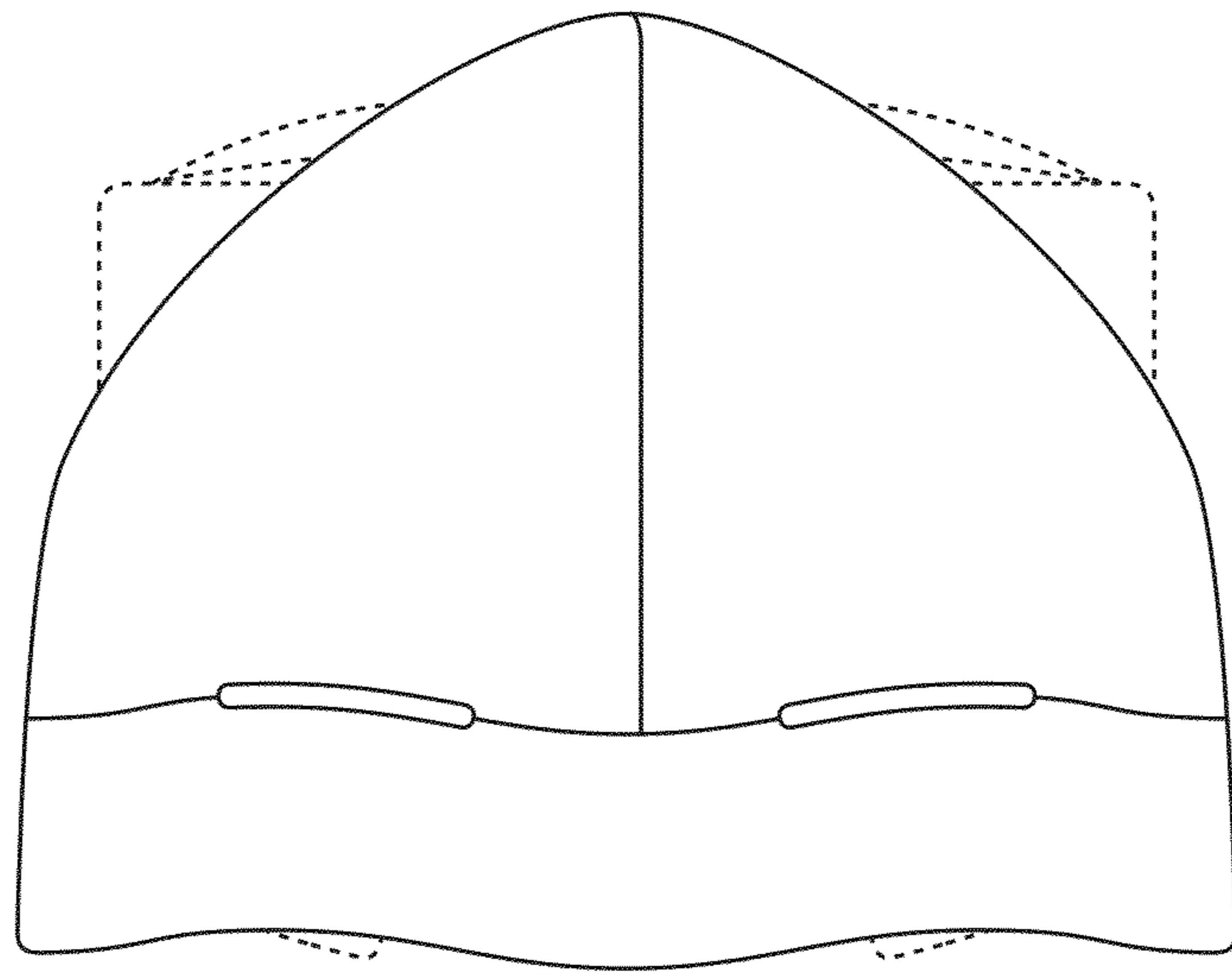


FIG. 5

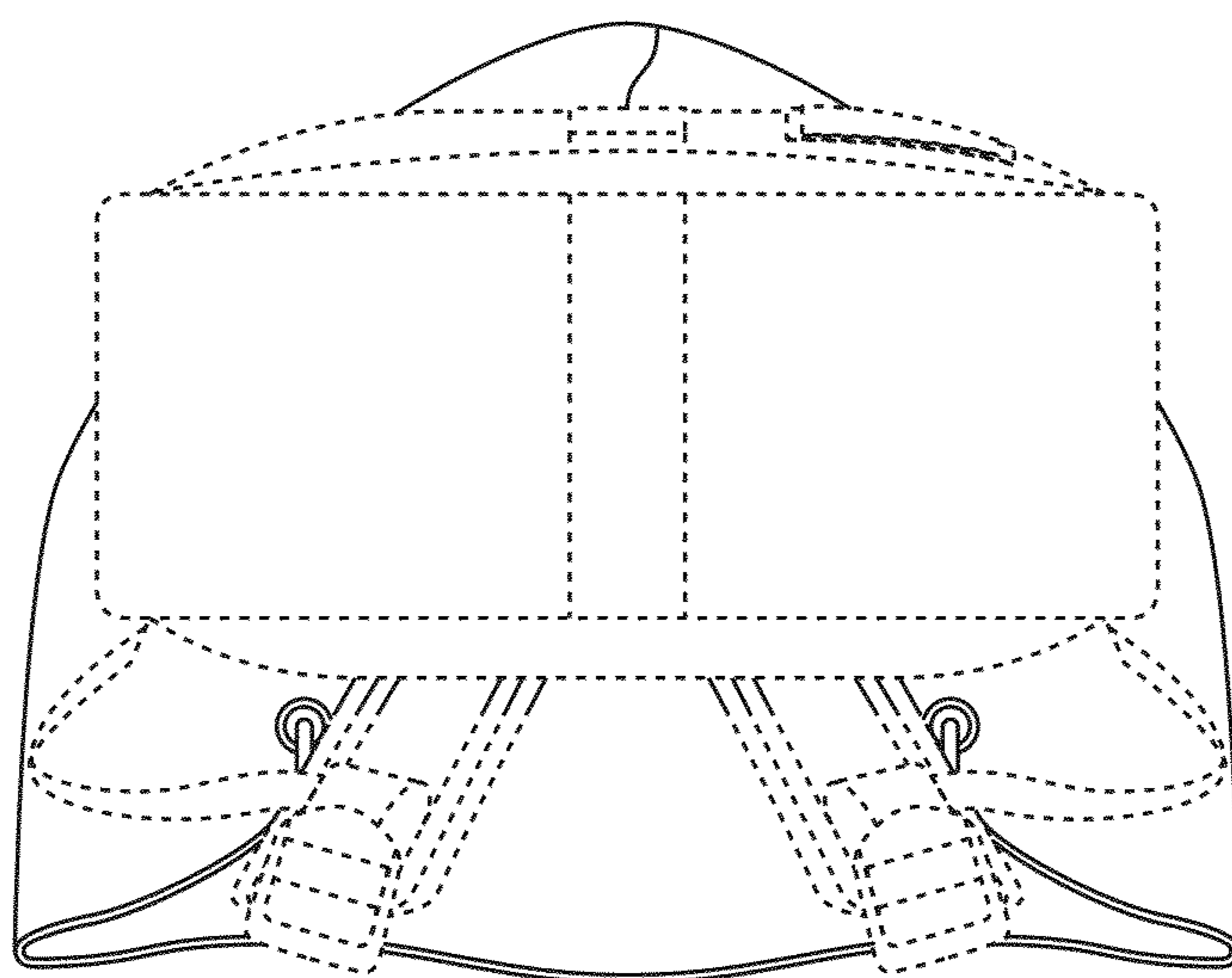


FIG. 6

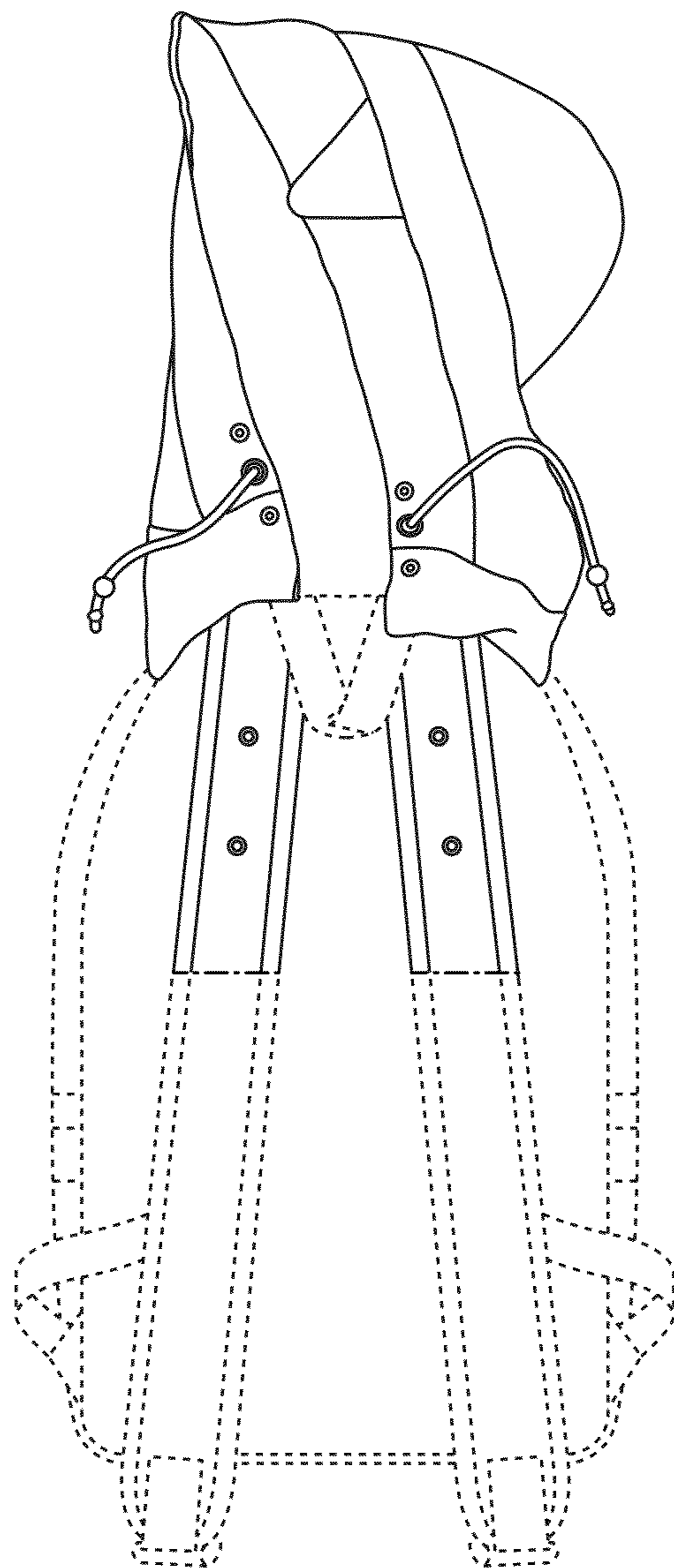


FIG. 7



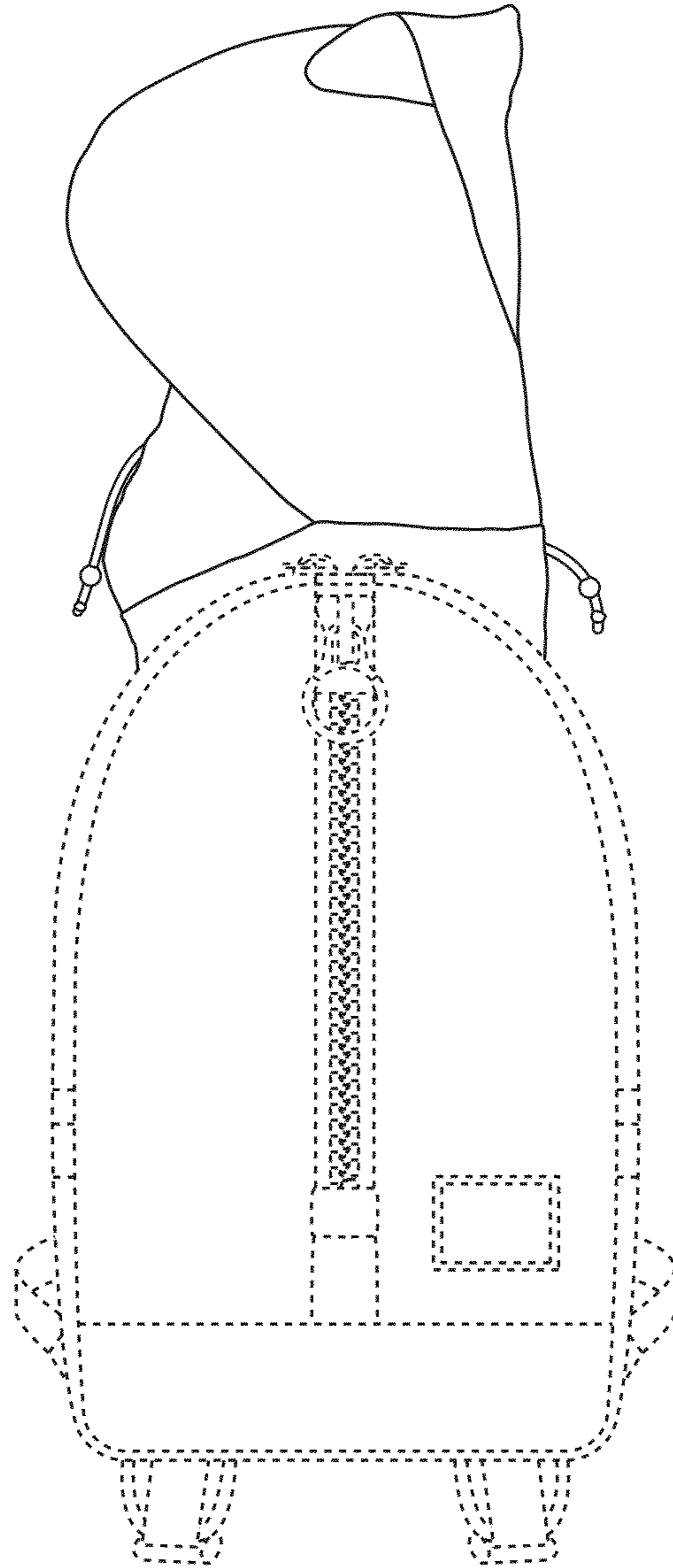


FIG. 8

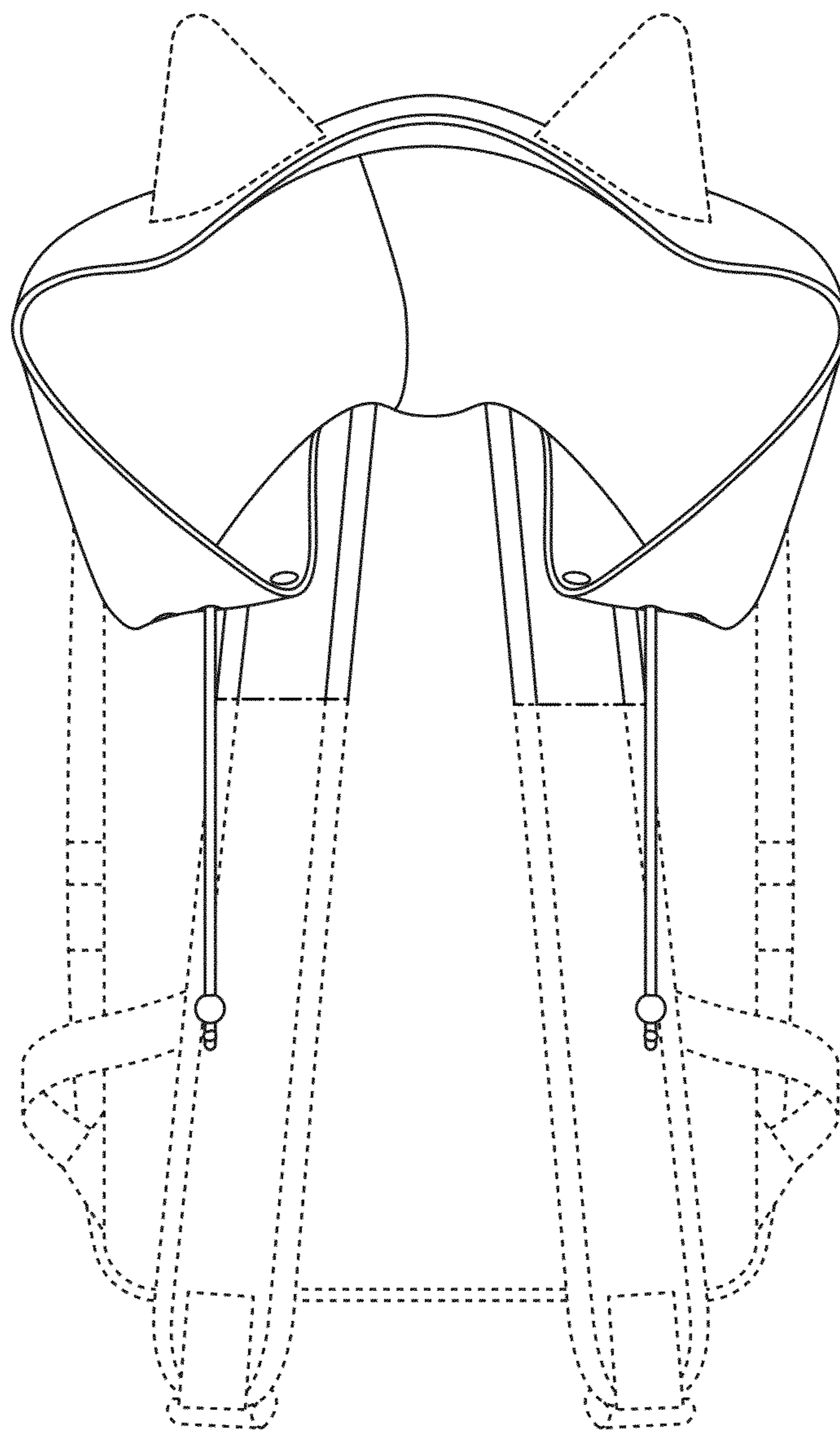


FIG. 9

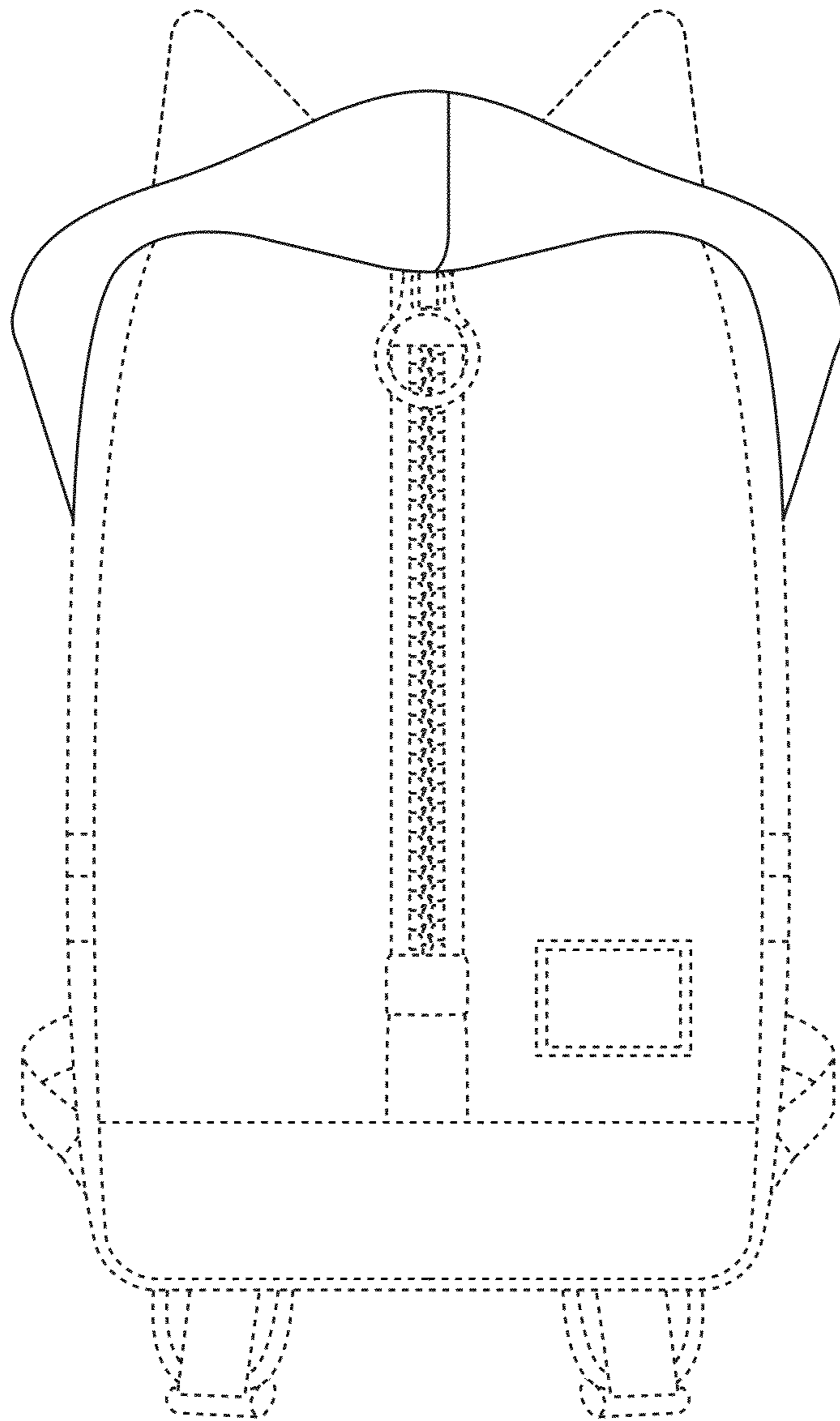


FIG. 10

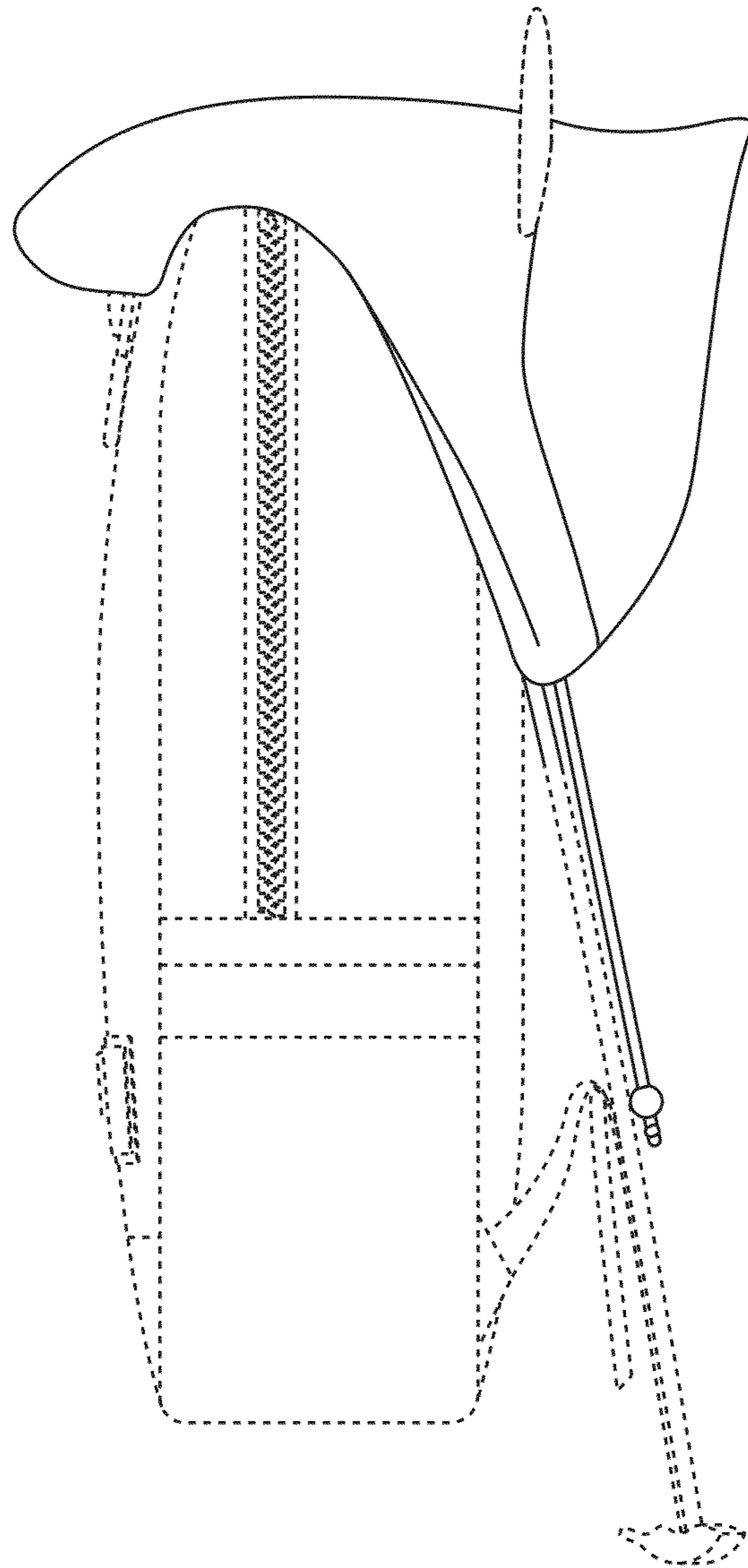


FIG. 11

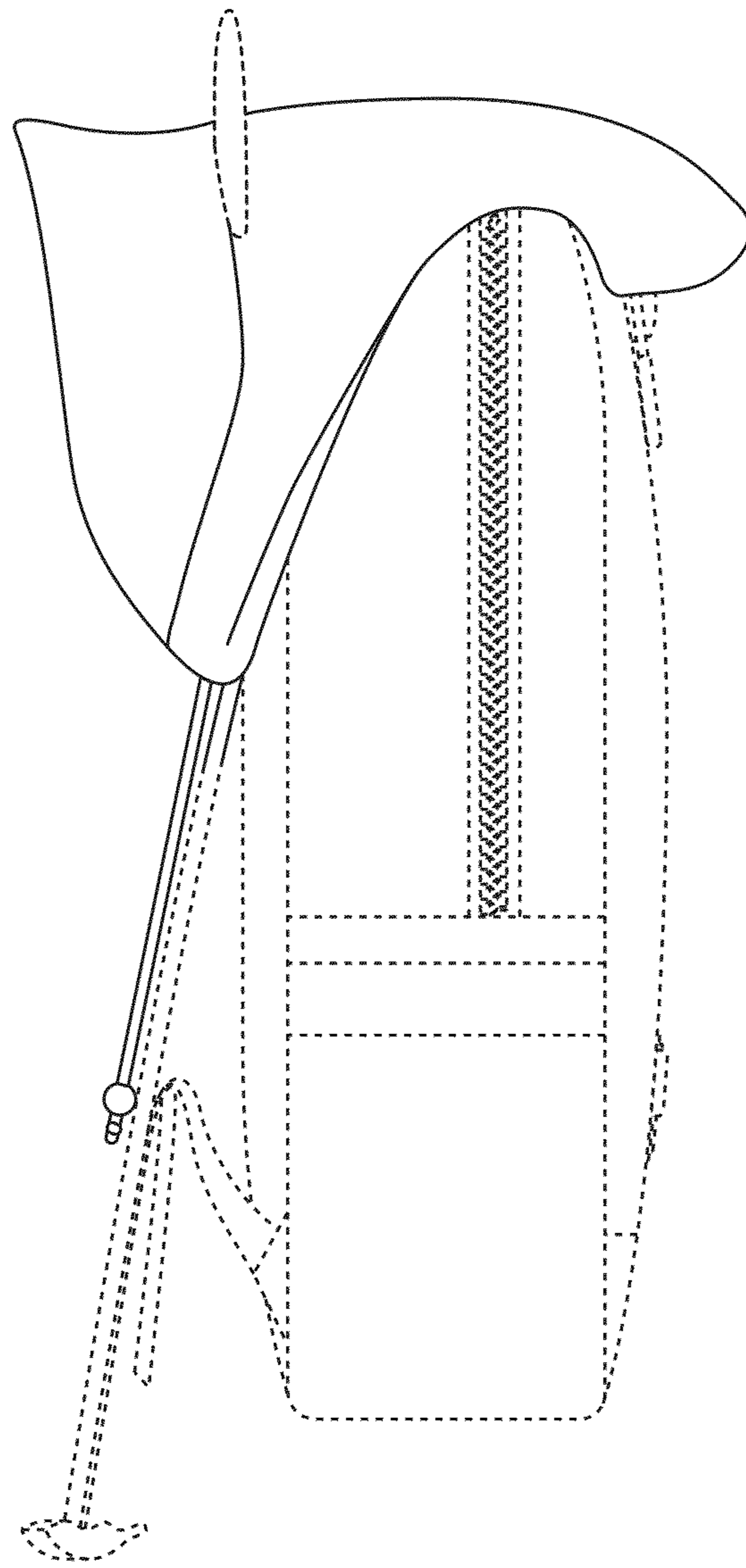


FIG. 12

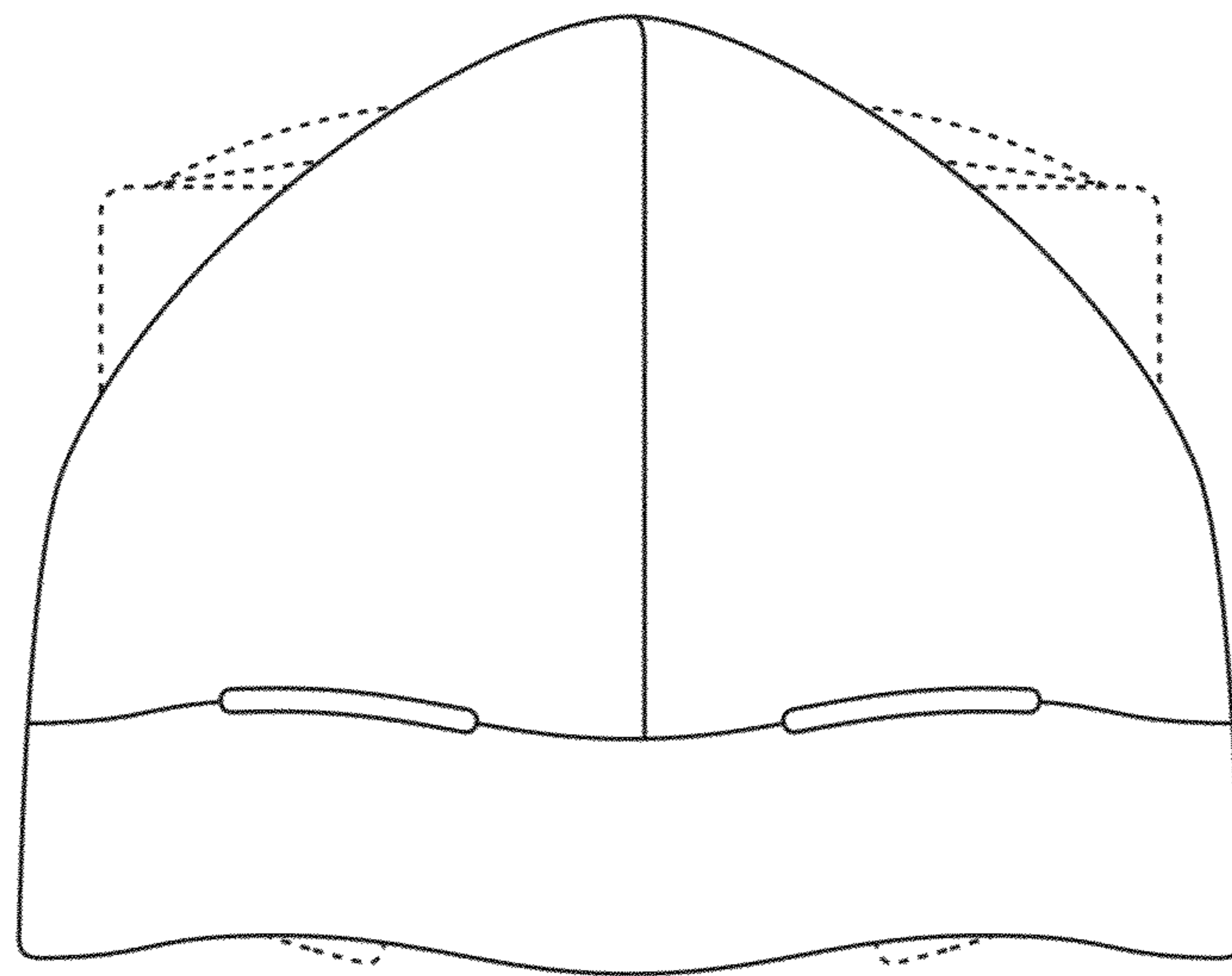


FIG. 13



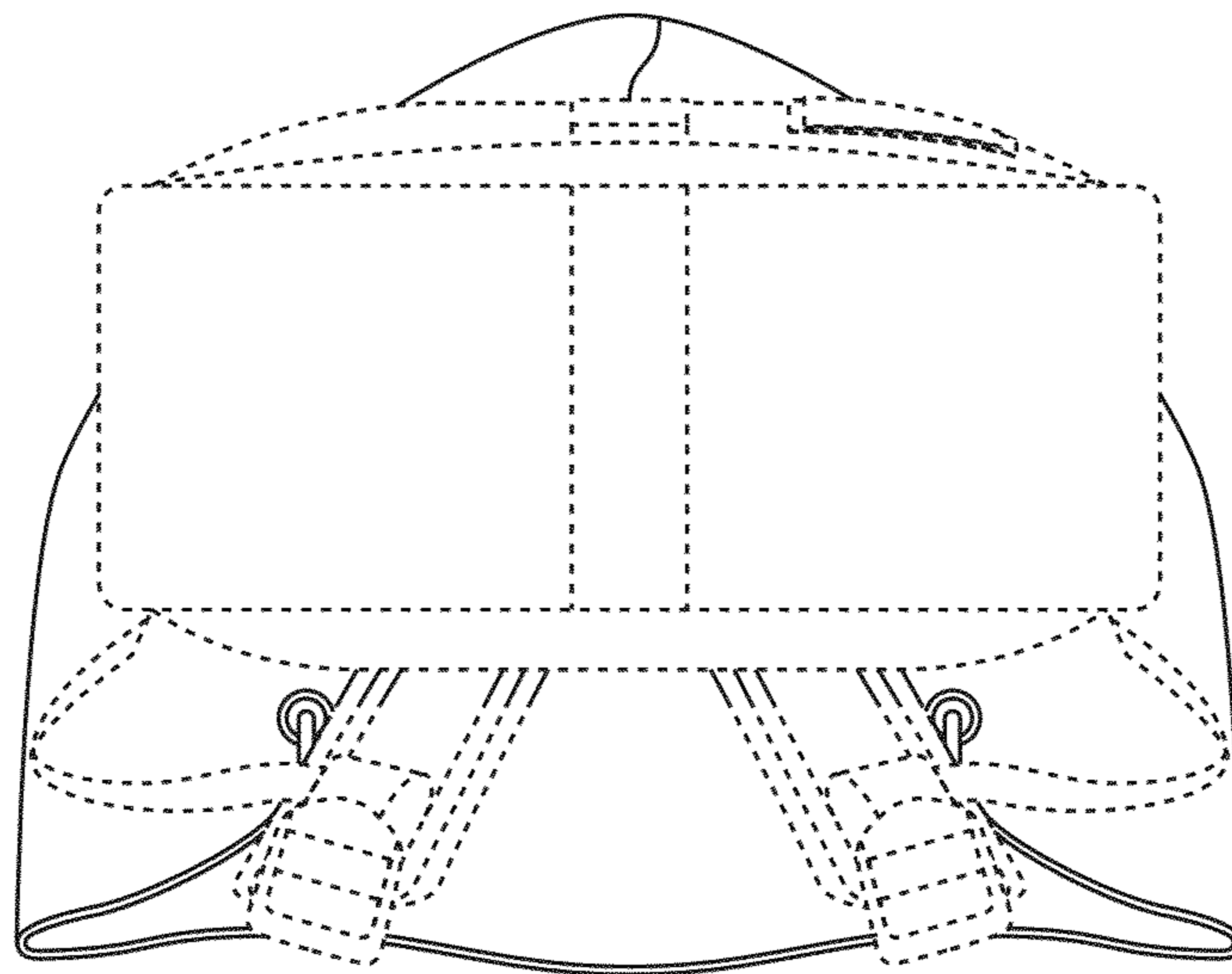


FIG. 14

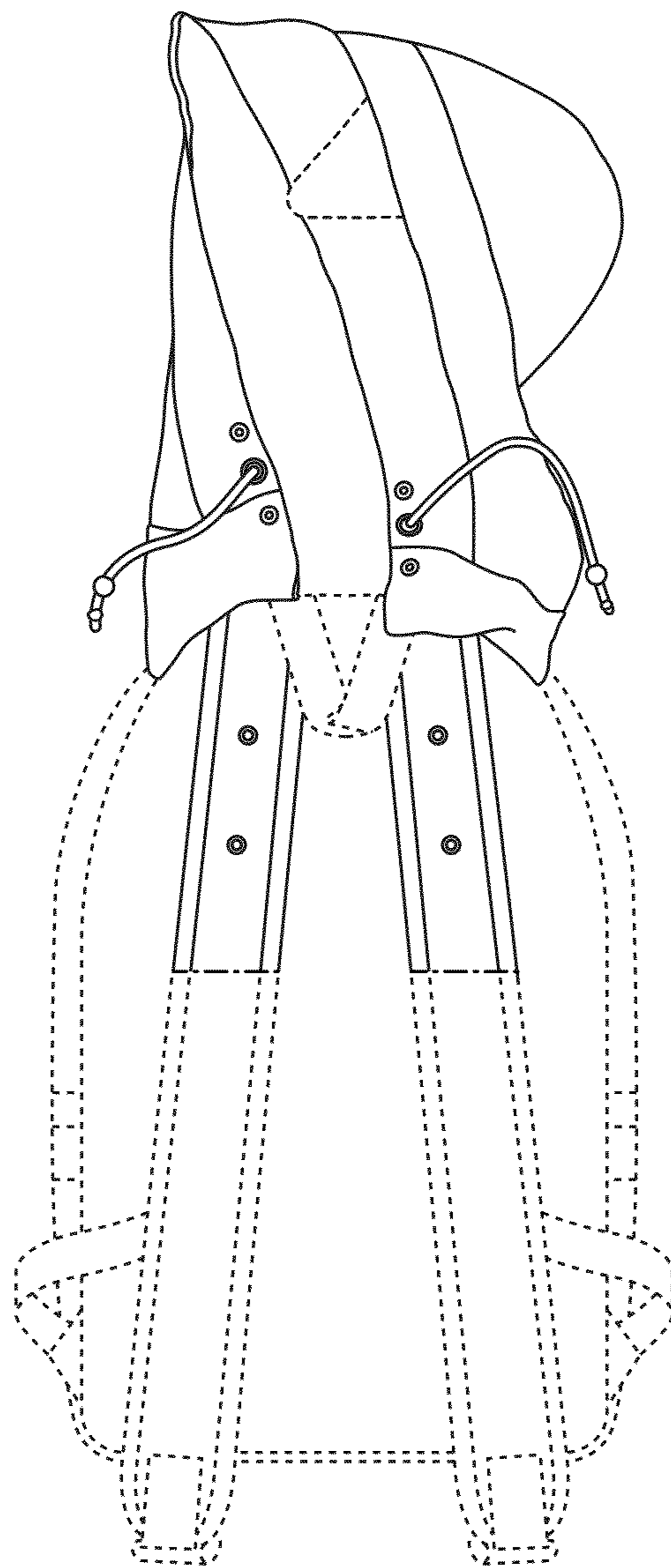


FIG. 15

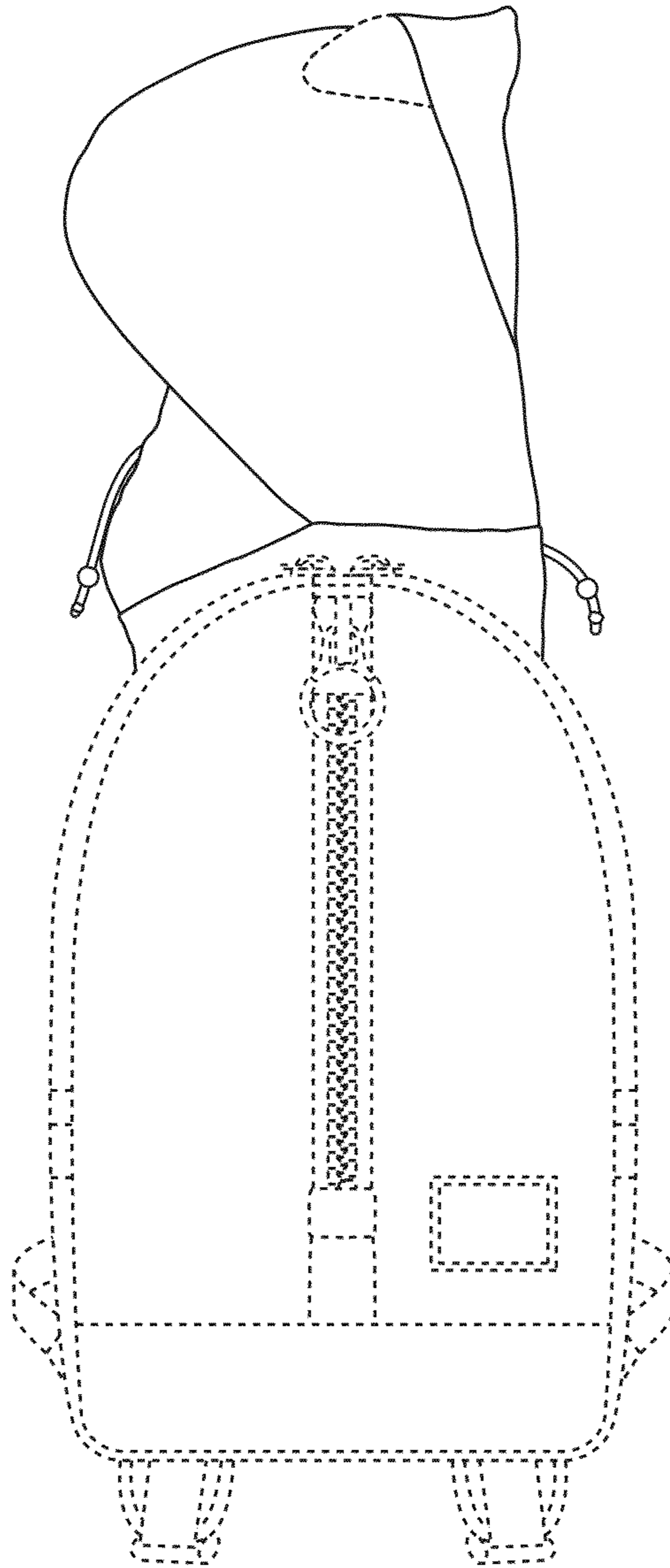


FIG. 16