



US00D730052S

(12) **United States Design Patent**
Curran-Blaney et al.

(10) **Patent No.:** **US D730,052 S**
(45) **Date of Patent:** **** May 26, 2015**

(54) **ELECTRONIC DEVICE HOLSTER**
(71) Applicant: **RESEARCH IN MOTION LIMITED,**
Waterloo (CA)
(72) Inventors: **Caitlin Curran-Blaney,** Toronto (CA);
Alison Phillips, Toronto (CA)
(73) Assignee: **BlackBerry Limited,** Waterloo, Ontario
(CA)
(**) Term: **14 Years**

D666,820 S * 9/2012 Phillips et al. D3/303
D666,828 S * 9/2012 Phillips et al. D3/303
D671,310 S * 11/2012 Phillips et al. D3/218
D680,322 S * 4/2013 Phillips et al. D3/218
D680,323 S * 4/2013 Phillips et al. D3/218
D680,324 S * 4/2013 Phillips et al. D3/218
D680,743 S * 4/2013 Chang D3/303
D682,540 S * 5/2013 Phillips et al. D3/218
D682,541 S * 5/2013 Phillips et al. D3/218
D685,579 S * 7/2013 Phillips et al. D3/303
D704,443 S * 5/2014 Curran-Blaney et al. D3/303
D712,146 S * 9/2014 Curran-Blaney et al. D3/303
D712,147 S * 9/2014 Curran-Blaney et al. D3/303
2008/0012706 A1 * 1/2008 Mak-Fan et al. 340/568.1

(21) Appl. No.: **29/452,074**
(22) Filed: **Apr. 11, 2013**
(51) **LOC (10) Cl.** **03-01**
(52) **U.S. Cl.**
USPC **D3/303; D14/251**
(58) **Field of Classification Search**
USPC D14/250, 251, 252, 253, 440,
D14/203.3–203.7, 217, 496, 248, 238.1,
D14/240, 447, 341–347, 644; D3/300, 303,
D3/225, 226, 227; 206/576, 701, 703,
206/37–38, 235; 248/291.1, 125.1, 121,
248/124.1, 125.7, 276.1, 415, 284.1, 286.1,
248/281.11, 292.11, 181.2, 917–921
See application file for complete search history.

* cited by examiner

Primary Examiner — Stella Reid
Assistant Examiner — Khawaja Anwar

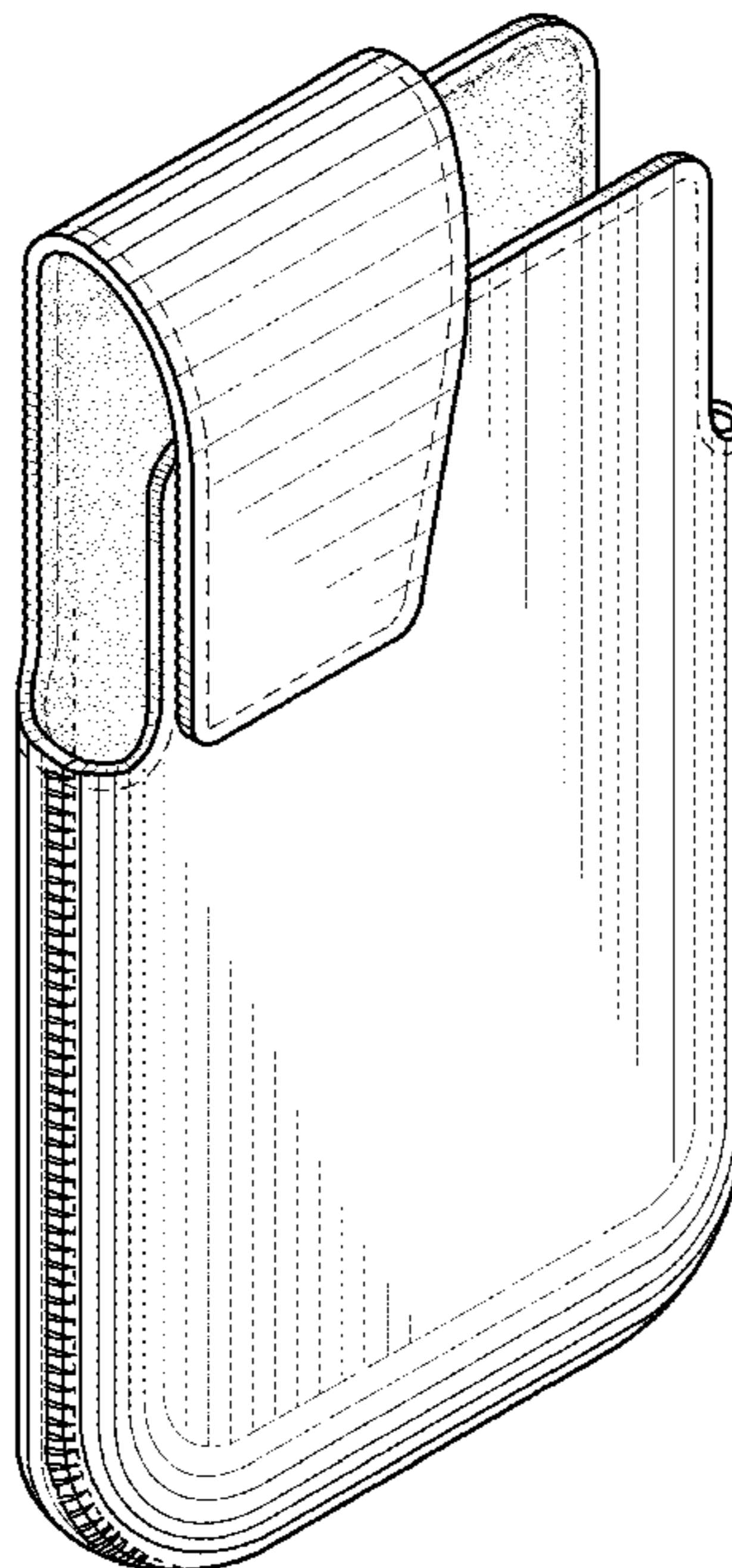
(56) **References Cited**
U.S. PATENT DOCUMENTS
D508,607 S * 8/2005 Balchunas et al. D3/303
D602,689 S * 10/2009 Hewitt D3/247
D652,208 S * 1/2012 Fahrendorff et al. D3/218
D666,410 S * 9/2012 Phillips et al. D3/218

(57) **CLAIM**
The ornamental design for an electronic device holster, as shown and described.

DESCRIPTION

FIG. 1 is a front perspective view of an electronic device holster;
FIG. 2 is a rear perspective view thereof;
FIG. 3 is a front elevation view thereof;
FIG. 4 is a rear elevation view thereof;
FIG. 5 is left side elevation view thereof;
FIG. 6 is a right side elevation view thereof;
FIG. 7 is a top plan view thereof; and,
FIG. 8 is a bottom plan view thereof.
The broken lines in the drawings represent stitching which is part of the claimed design.

1 Claim, 6 Drawing Sheets



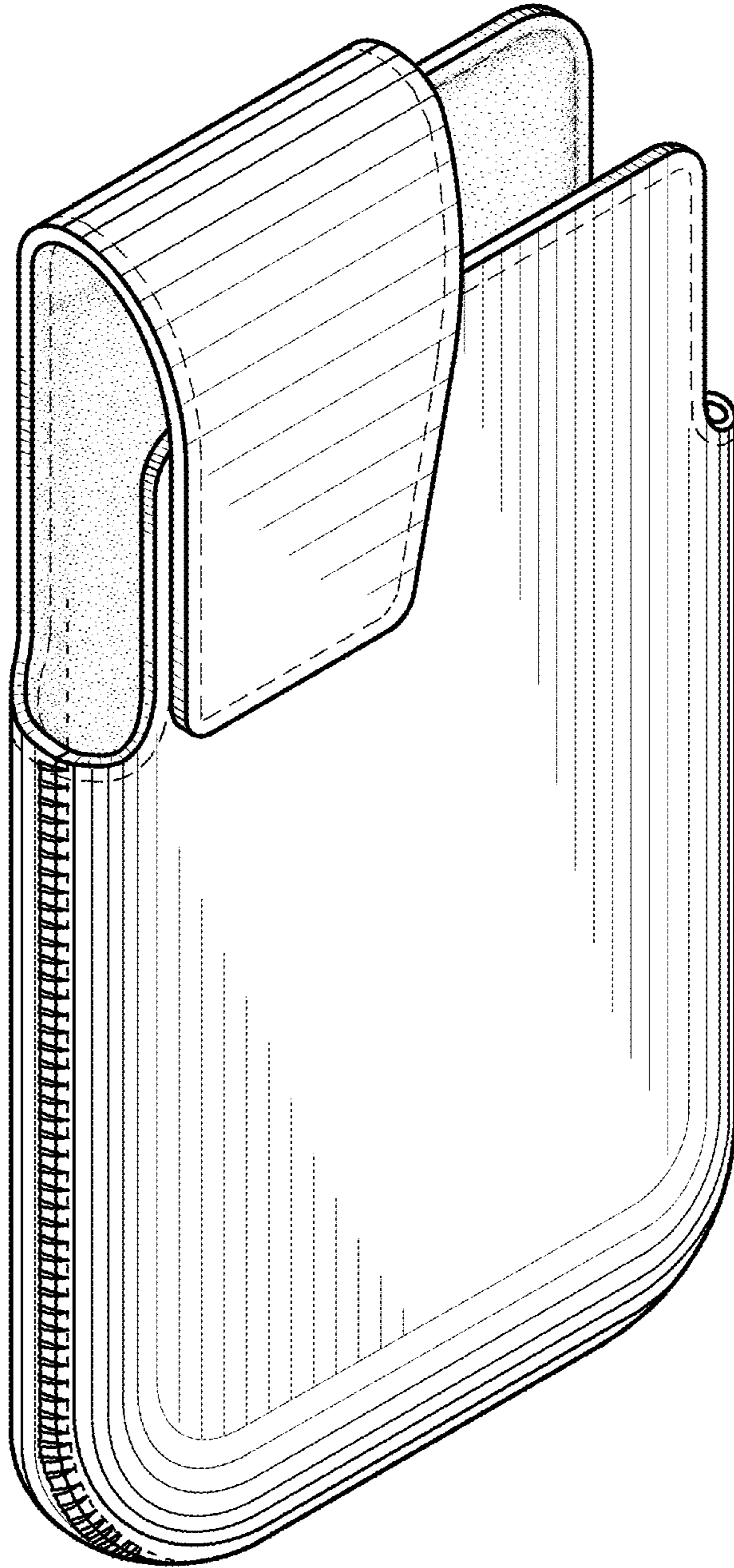


FIG. 1

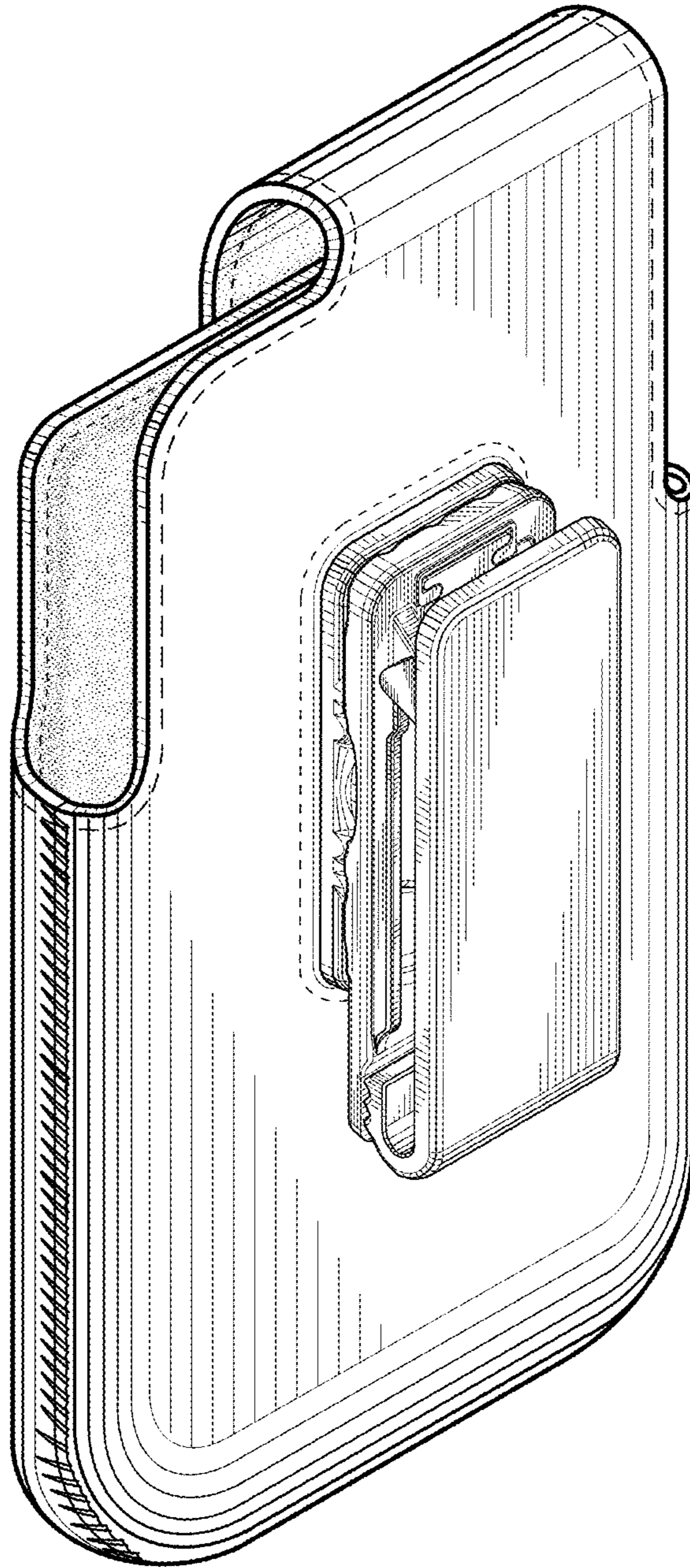


FIG.2

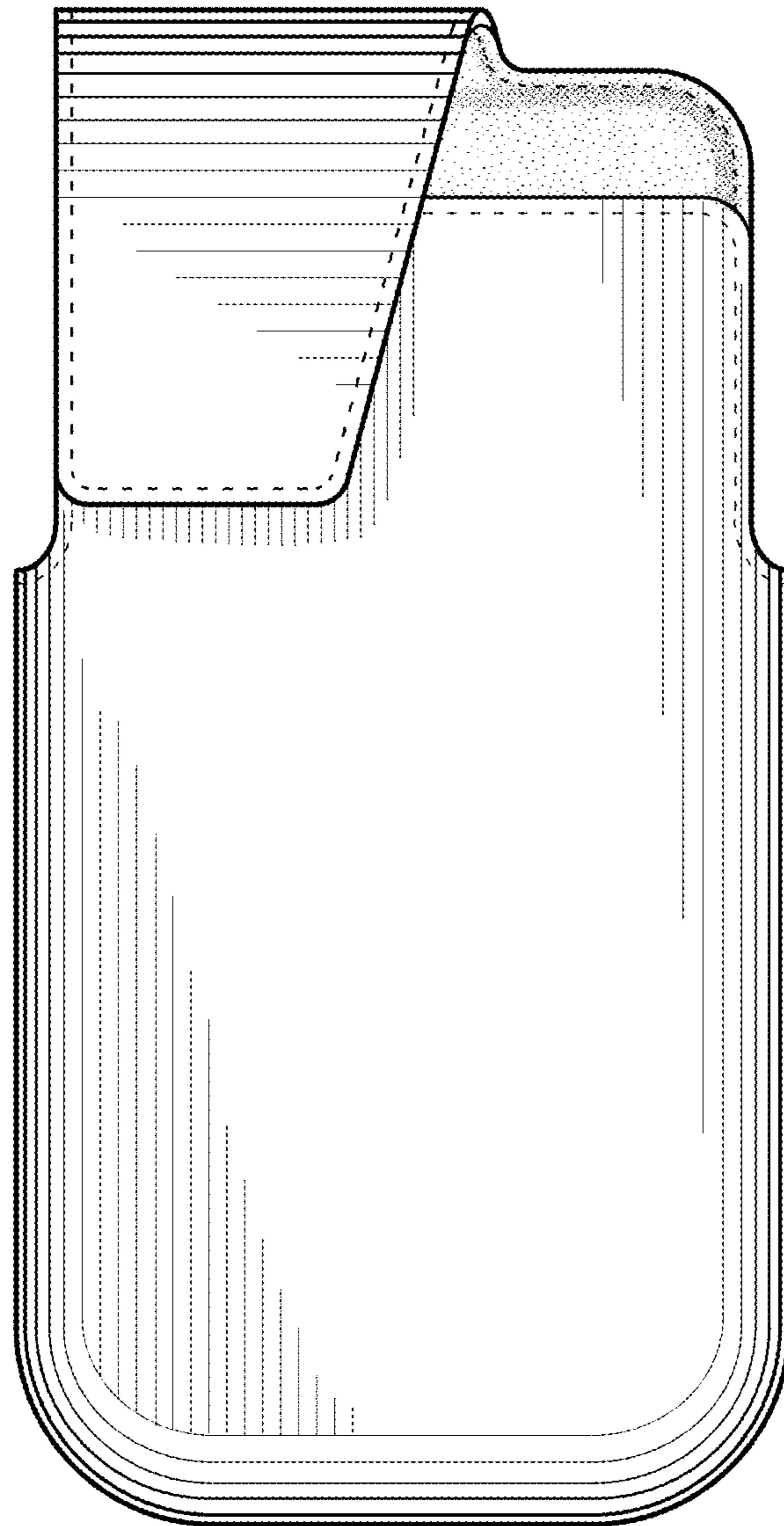


FIG.3

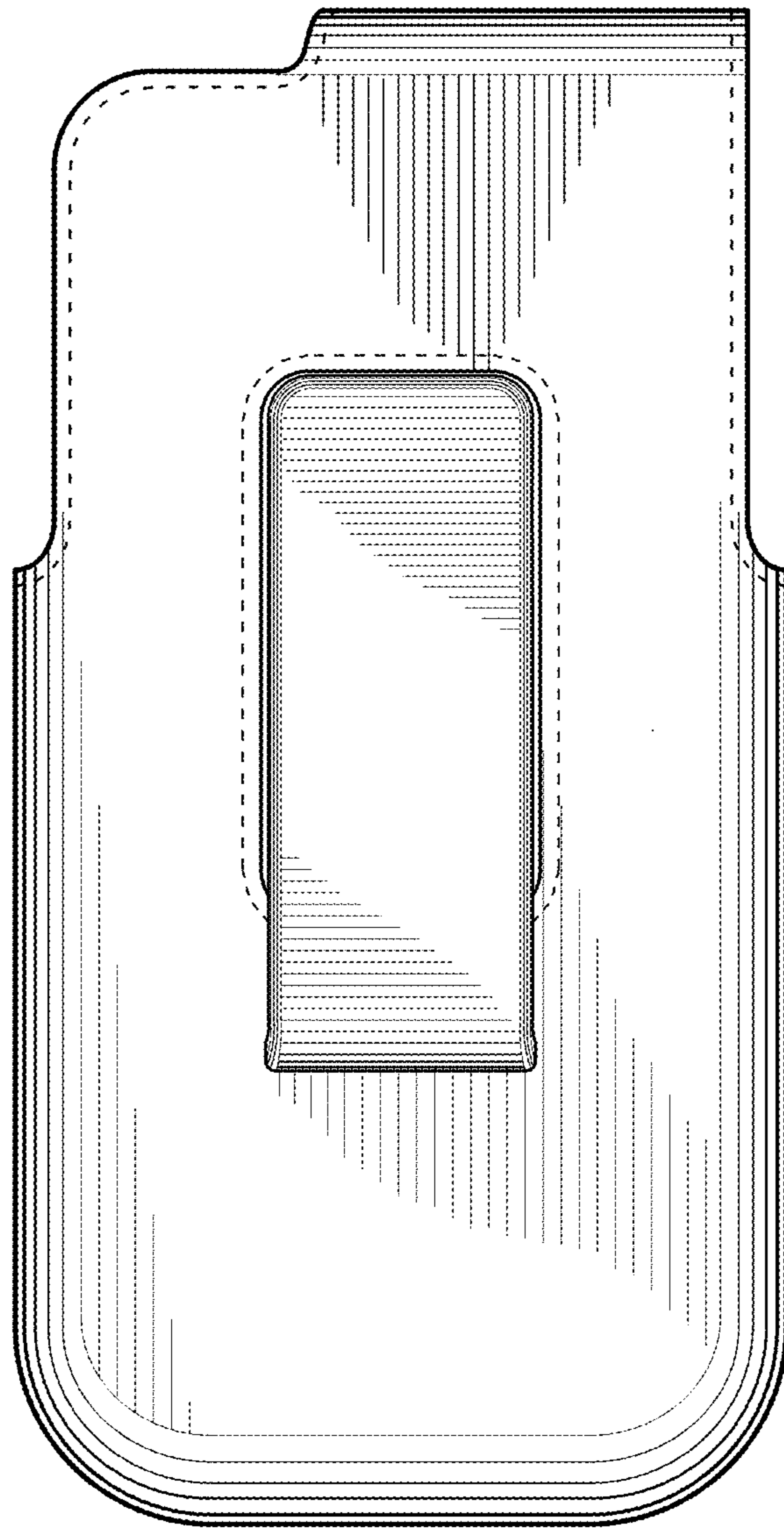


FIG.4

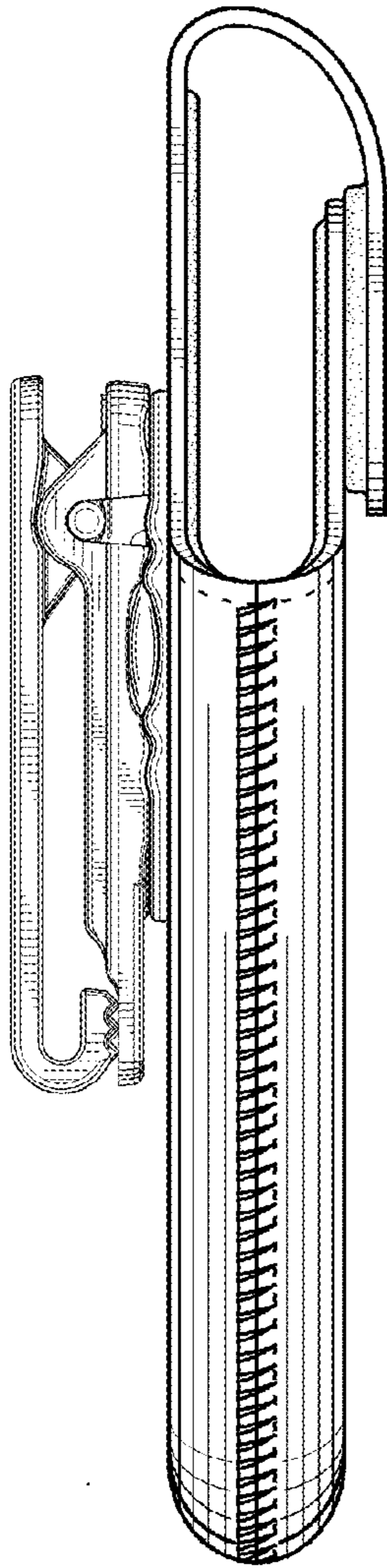


FIG. 5

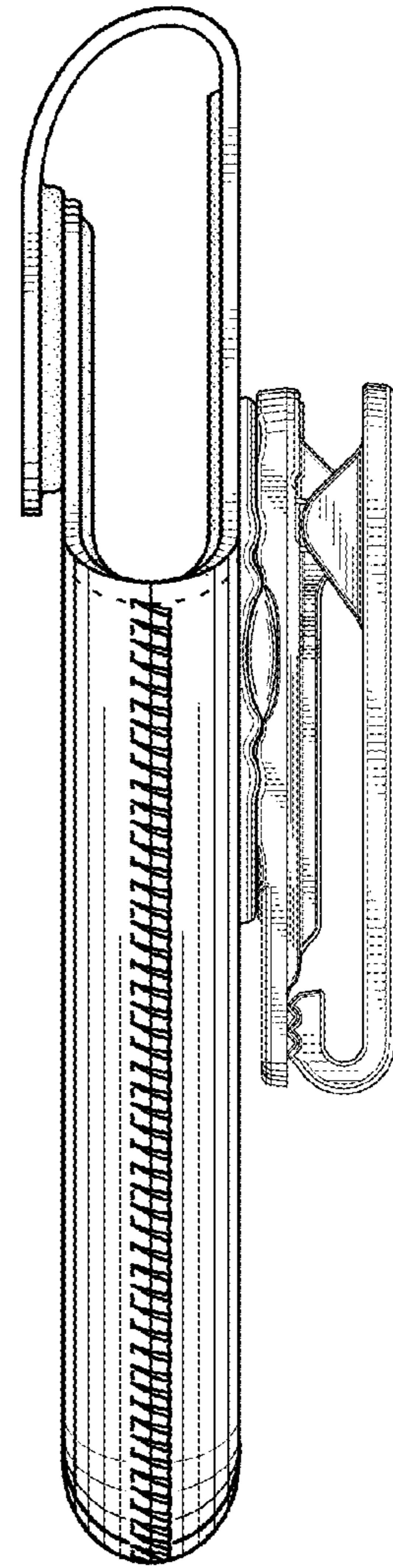


FIG. 6

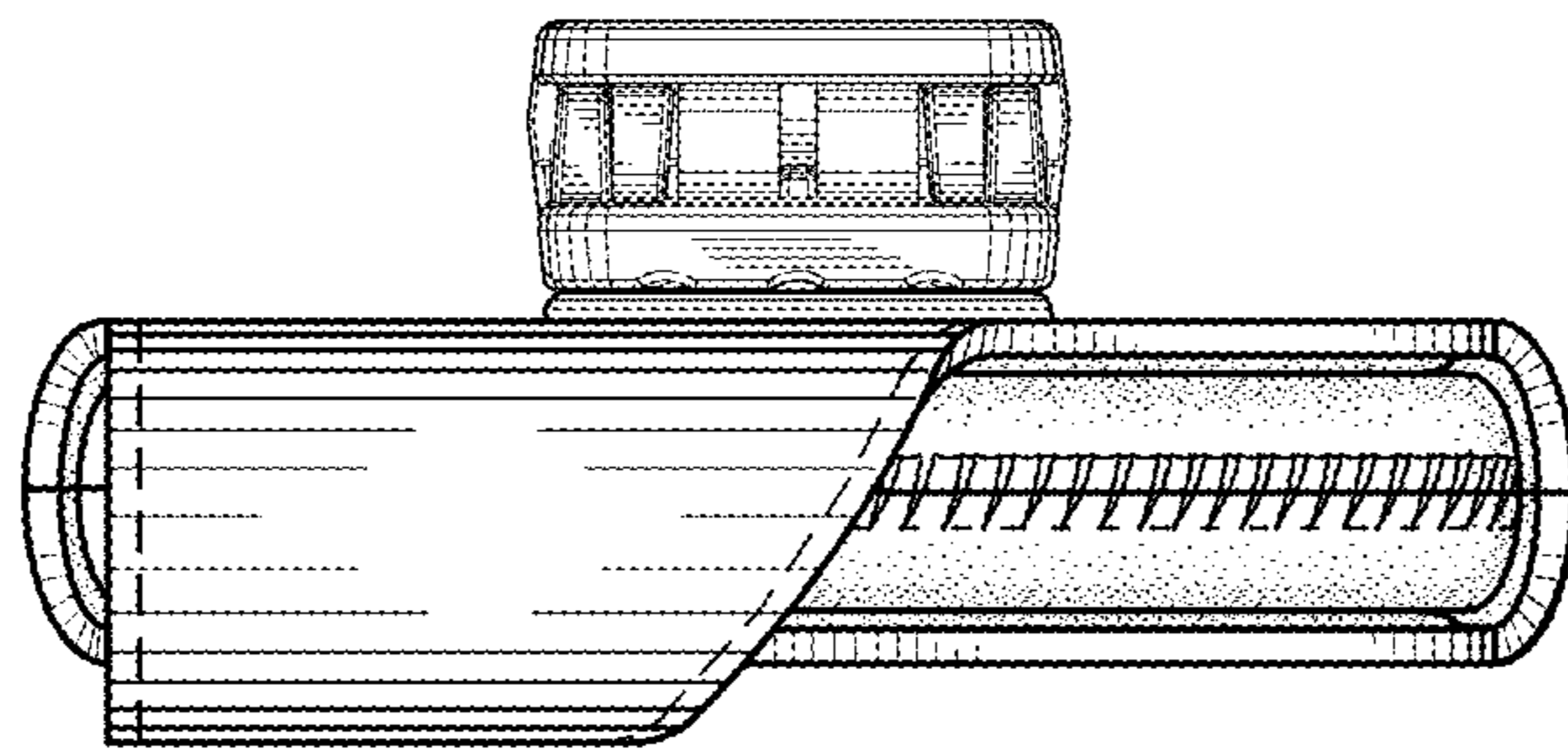


FIG. 7

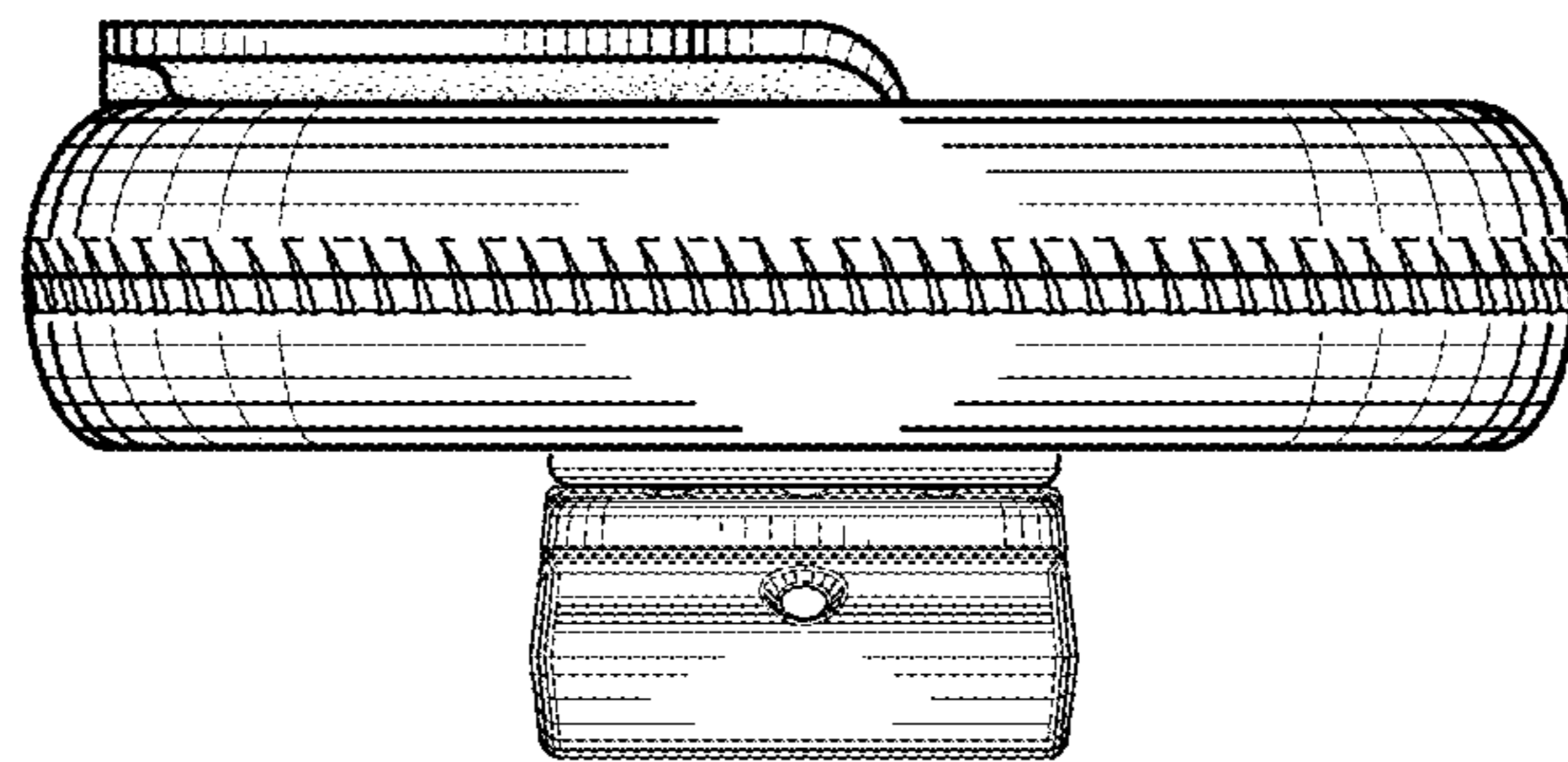


FIG. 8