



US00D730051S

(12) **United States Design Patent**
Whalen

(10) **Patent No.:** **US D730,051 S**

(45) **Date of Patent:** **** May 26, 2015**

(54) **TRAY BOX**

(71) Applicant: **Plano Molding Company**, Plano, IL
(US)

(72) Inventor: **John H. Whalen**, Sheridan, IL (US)

(73) Assignee: **Plano Molding Company**, Plano, IL
(US)

(**) Term: **14 Years**

(21) Appl. No.: **29/493,481**

(22) Filed: **Jun. 10, 2014**

(51) **LOC (10) Cl.** **03-01**

(52) **U.S. Cl.**
USPC **D3/284; D3/295; D3/905**

(58) **Field of Classification Search**
CPC . B25H 3/02–3/028; B25H 3/00; B25H 3/003;
B25H 3/006
USPC D3/276, 279, 281, 282, 283, 284, 291,
D3/294, 295, 297, 298, 901, 905, 288, 292,
D3/273, 302; 206/372–379; 220/523–528;
D19/106

See application file for complete search history.

(56) **References Cited**

U.S. PATENT DOCUMENTS

1,577,566 A	3/1926	Cryder	
1,800,186 A *	4/1931	Shriver	312/271
2,629,644 A	2/1953	Heys	
3,301,619 A	1/1967	Mead	
3,330,608 A	7/1967	Druger	
3,410,018 A *	11/1968	Woolworth	43/26
3,606,511 A *	9/1971	Henning et al.	312/266
3,948,579 A	4/1976	Schirmer	

3,985,409 A	10/1976	Kneier
4,118,086 A	10/1978	Kneier
4,765,470 A	8/1988	Curci

(Continued)

FOREIGN PATENT DOCUMENTS

WO	WO 01/56377	8/2001	
WO	WO0156377	* 8/2001 A01K 97/06

(Continued)

Primary Examiner — Jennifer Rivard

Assistant Examiner — April Rivas

(74) *Attorney, Agent, or Firm* — McGuire Woods LLP

(57) **CLAIM**

I claim the ornamental design for a tray box, as shown and described.

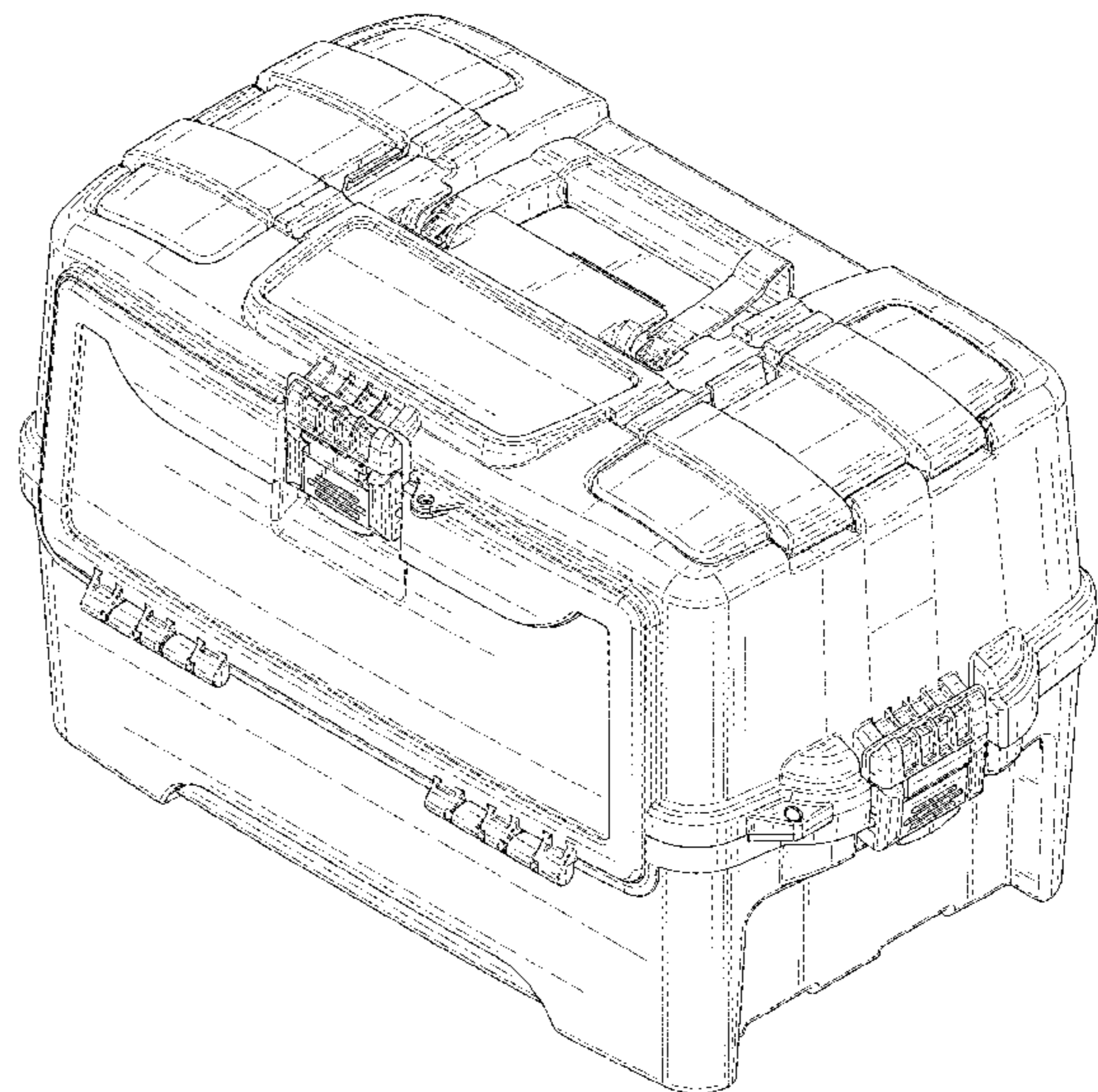
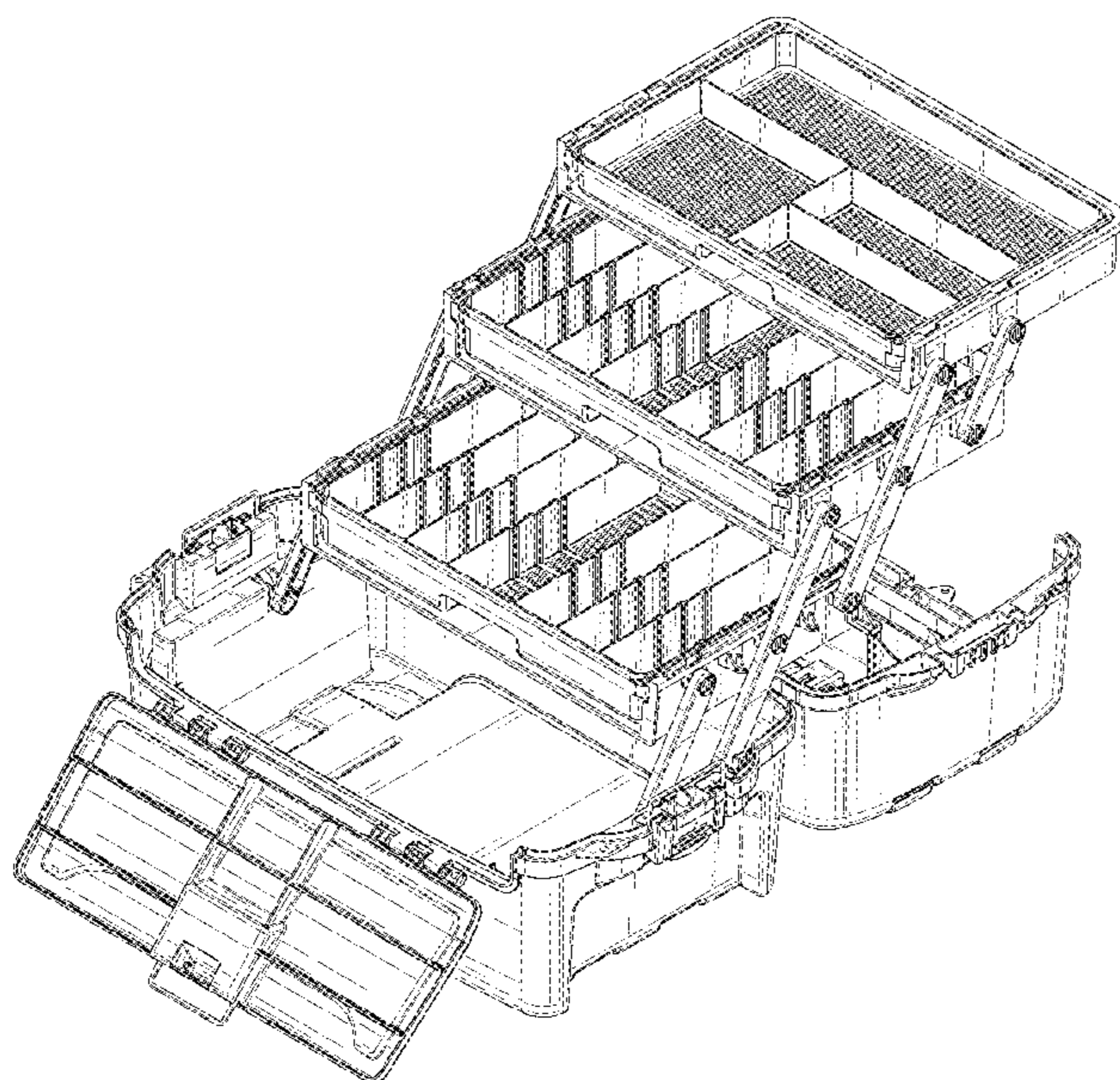
DESCRIPTION

FIG. 1 is a right-front open perspective view of the tray box; FIG. 2 is a front open view of the tray box shown in FIG. 1; FIG. 3 is a back open view of the tray box shown in FIG. 1; FIG. 4 is a left side open view of the tray box shown in FIG. 1; FIG. 5 is a right side open view of the tray box shown in FIG. 1; FIG. 6 is a top open view of the tray box shown in FIG. 1; FIG. 7 is a bottom open view of the tray box shown in FIG. 1; FIG. 8 is a right-front closed perspective view of the tray box; FIG. 9 is a front closed view of the tray box shown in FIG. 8; FIG. 10 is a back closed view of the tray box shown in FIG. 8; FIG. 11 is a top closed view of the tray box shown in FIG. 8; and,

FIG. 12 is a bottom closed view of the tray box shown in FIG. 8.

The broken lines illustrate portions of the tray box and form no part of the claimed design.

1 Claim, 12 Drawing Sheets



(56)

References Cited

U.S. PATENT DOCUMENTS

4,782,619 A 11/1988 Richards
 5,169,018 A * 12/1992 Fiore 220/318
 5,176,281 A 1/1993 Fiore
 5,205,429 A 4/1993 Woolworth et al.
 D358,708 S * 5/1995 Ko D3/276
 5,426,885 A 6/1995 Wittman
 5,475,943 A 12/1995 Hodges
 D434,225 S * 11/2000 Story et al. D3/281
 6,267,484 B1 * 7/2001 Baker et al. 362/156
 D462,168 S * 9/2002 Klemmensen et al. D3/279
 D493,616 S * 8/2004 Hardy D3/281
 7,168,204 B2 1/2007 Wieringa et al.
 7,219,969 B2 5/2007 Bezzubov
 7,278,234 B2 10/2007 Marino

D610,351 S * 2/2010 Brunner D3/295
 D618,911 S * 7/2010 Brunner D3/281
 7,748,158 B2 7/2010 Wieringa et al.
 D668,048 S * 10/2012 Vilkomirski et al. D3/281
 D700,777 S * 3/2014 Shitrit et al. D3/281
 D709,697 S * 7/2014 Brunner D3/281
 D710,102 S * 8/2014 Horovitz D3/281
 2002/0079313 A1 6/2002 Grayson
 2003/0106821 A1 * 6/2003 Bar-Erez 206/373
 2014/0102928 A1 * 4/2014 Sabbag et al. 206/372

FOREIGN PATENT DOCUMENTS

WO WO2007/083392 7/2007
 WO WO2007083392 * 7/2007 A01K 97/06

* cited by examiner

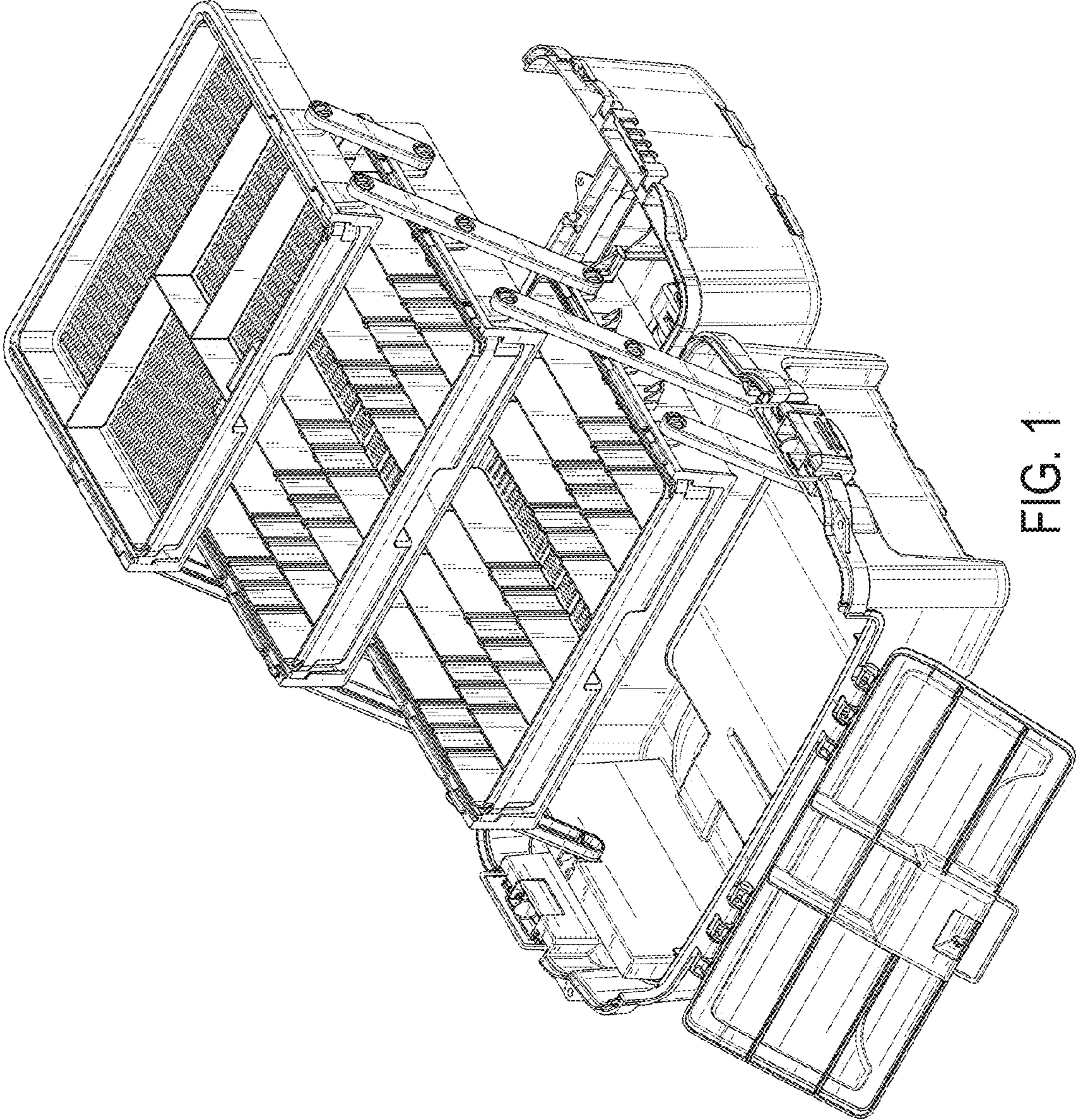


FIG. 1

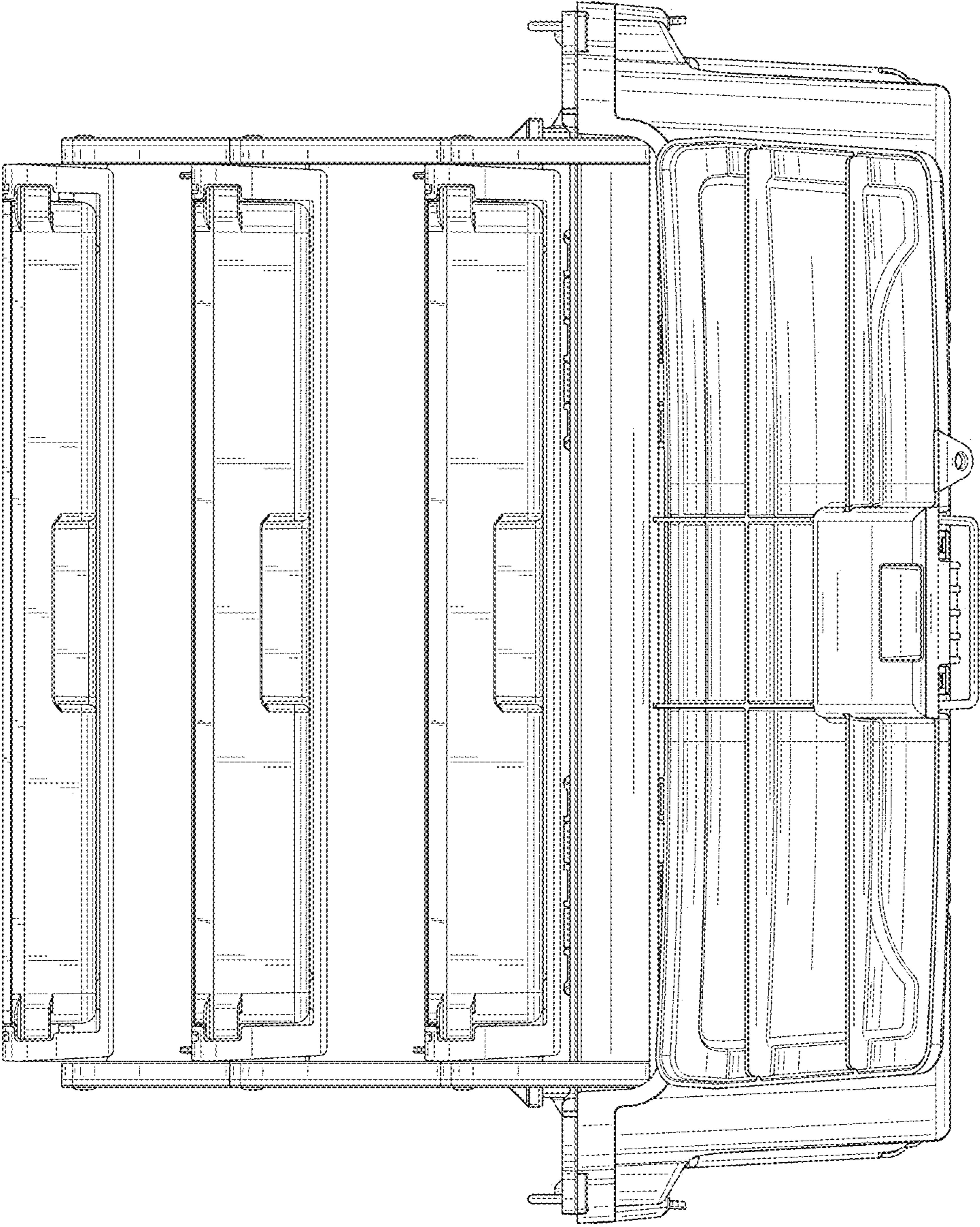


FIG. 2

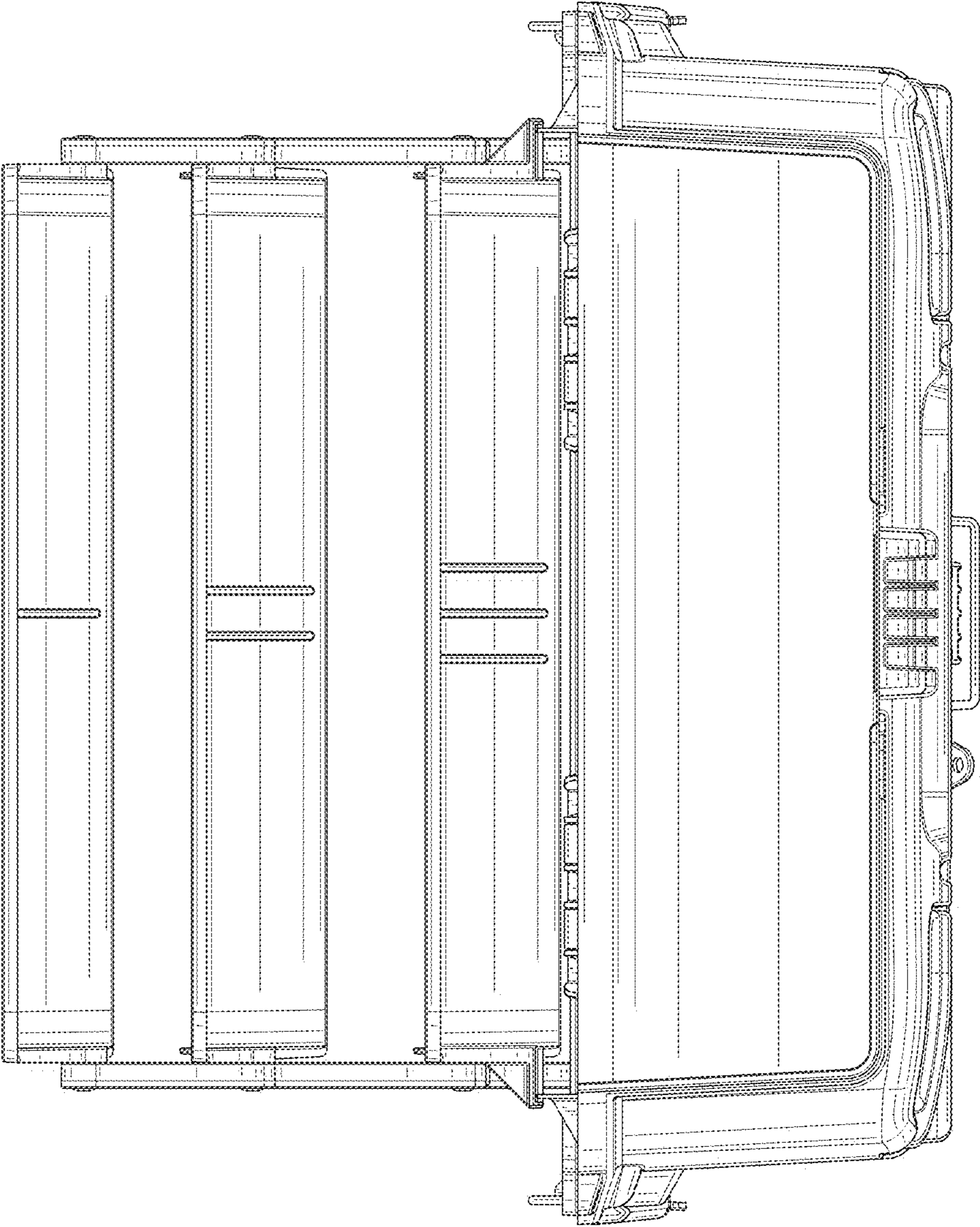


FIG. 3

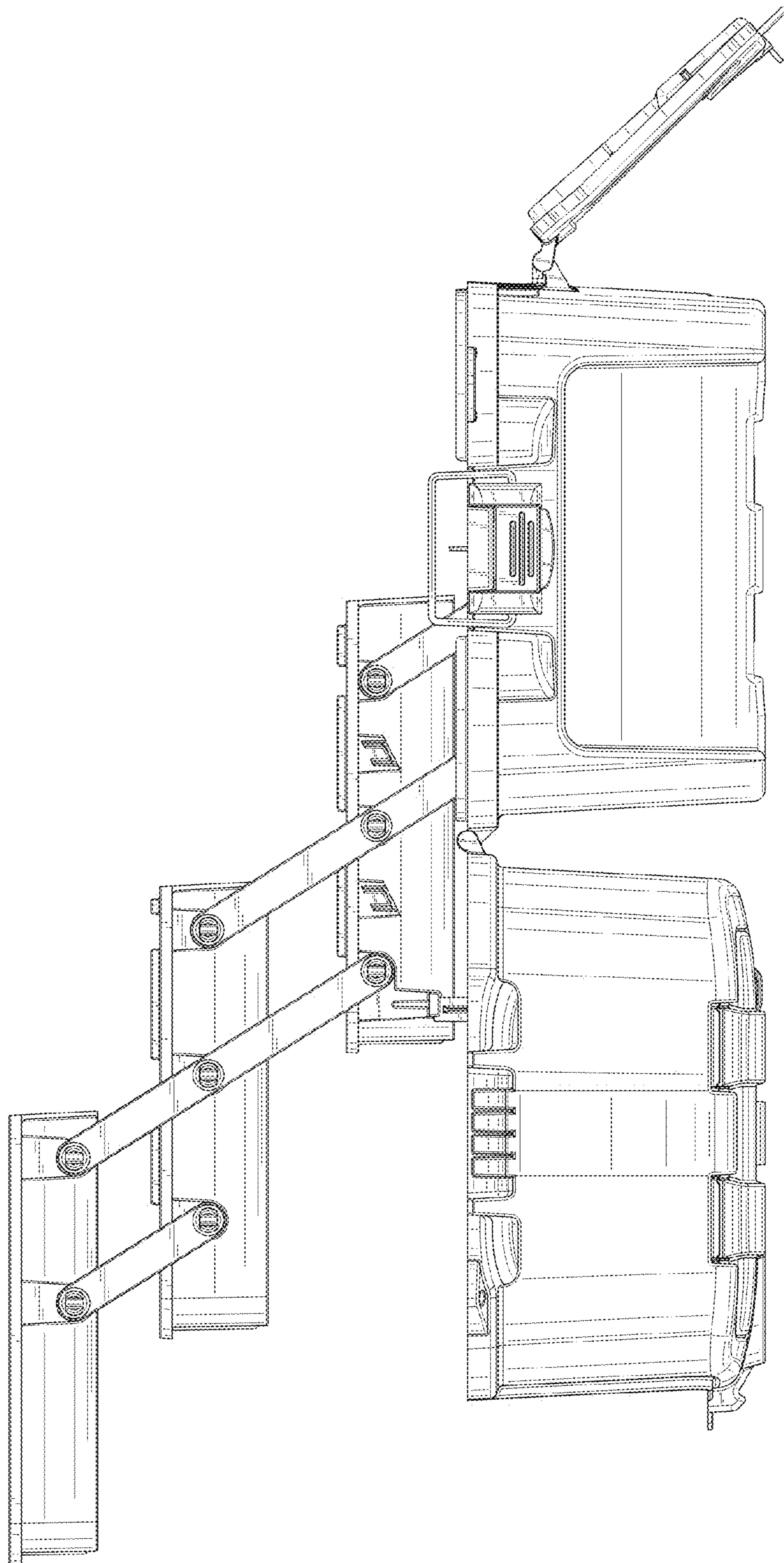


FIG. 4

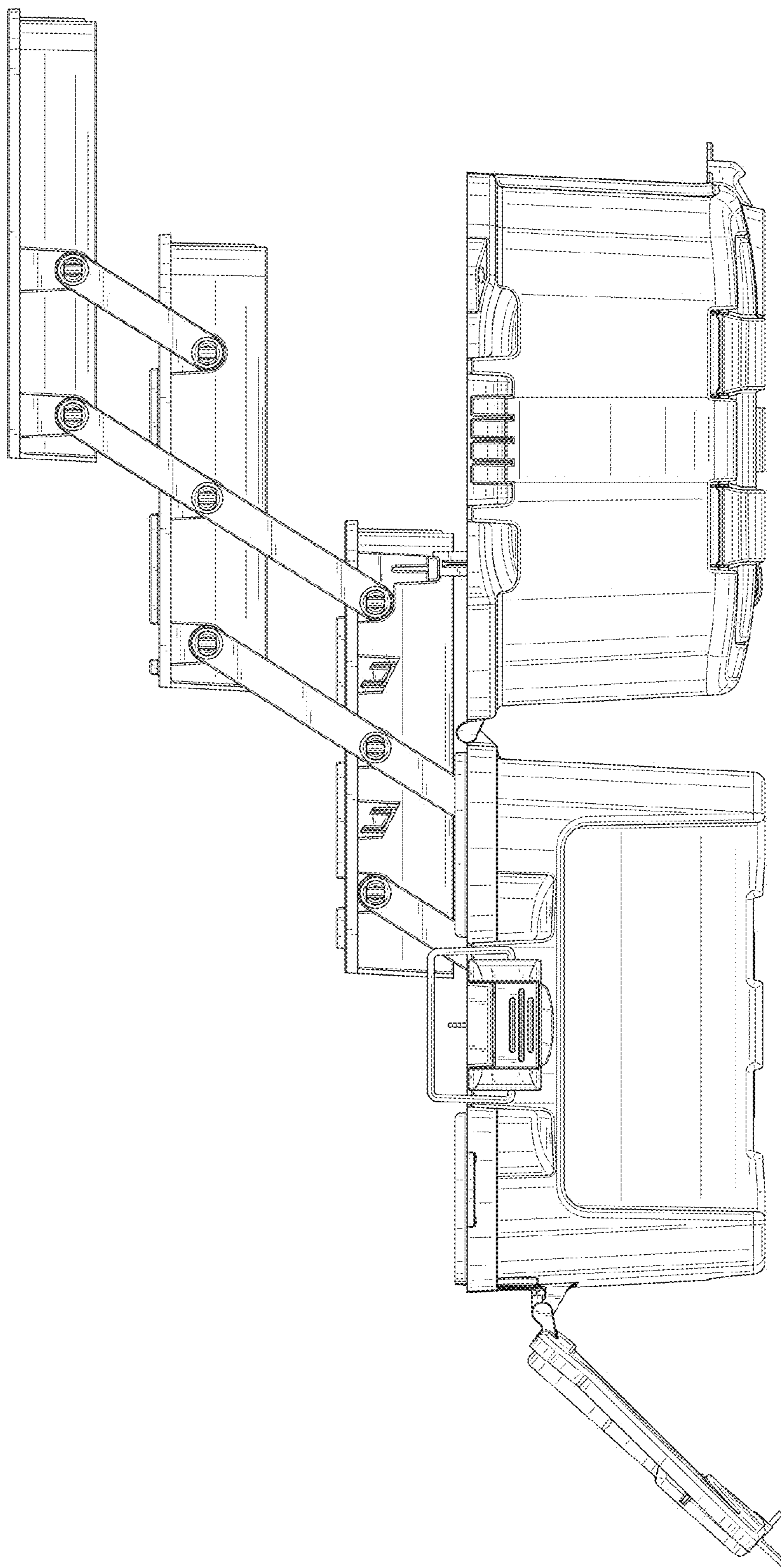


FIG. 5

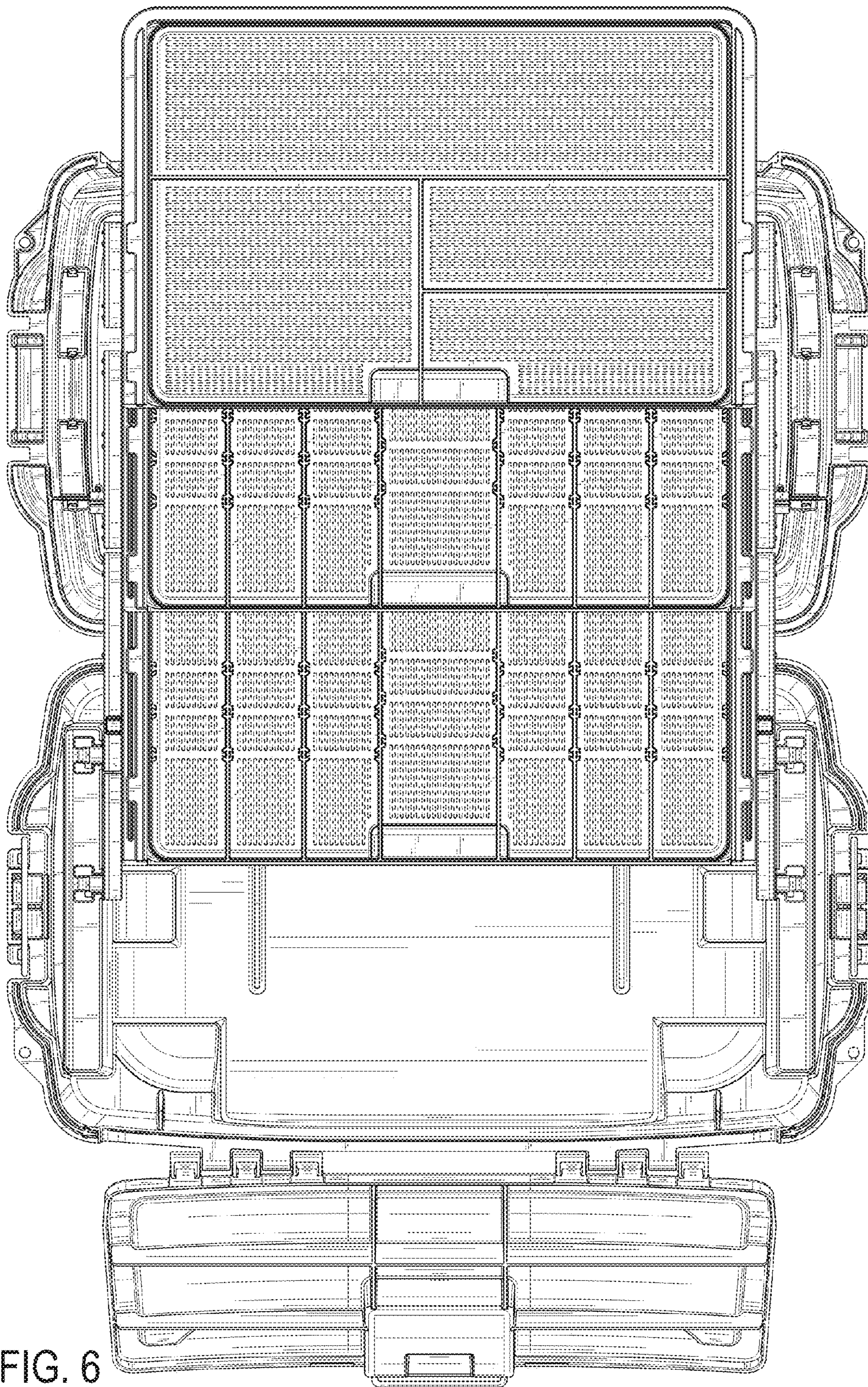


FIG. 6

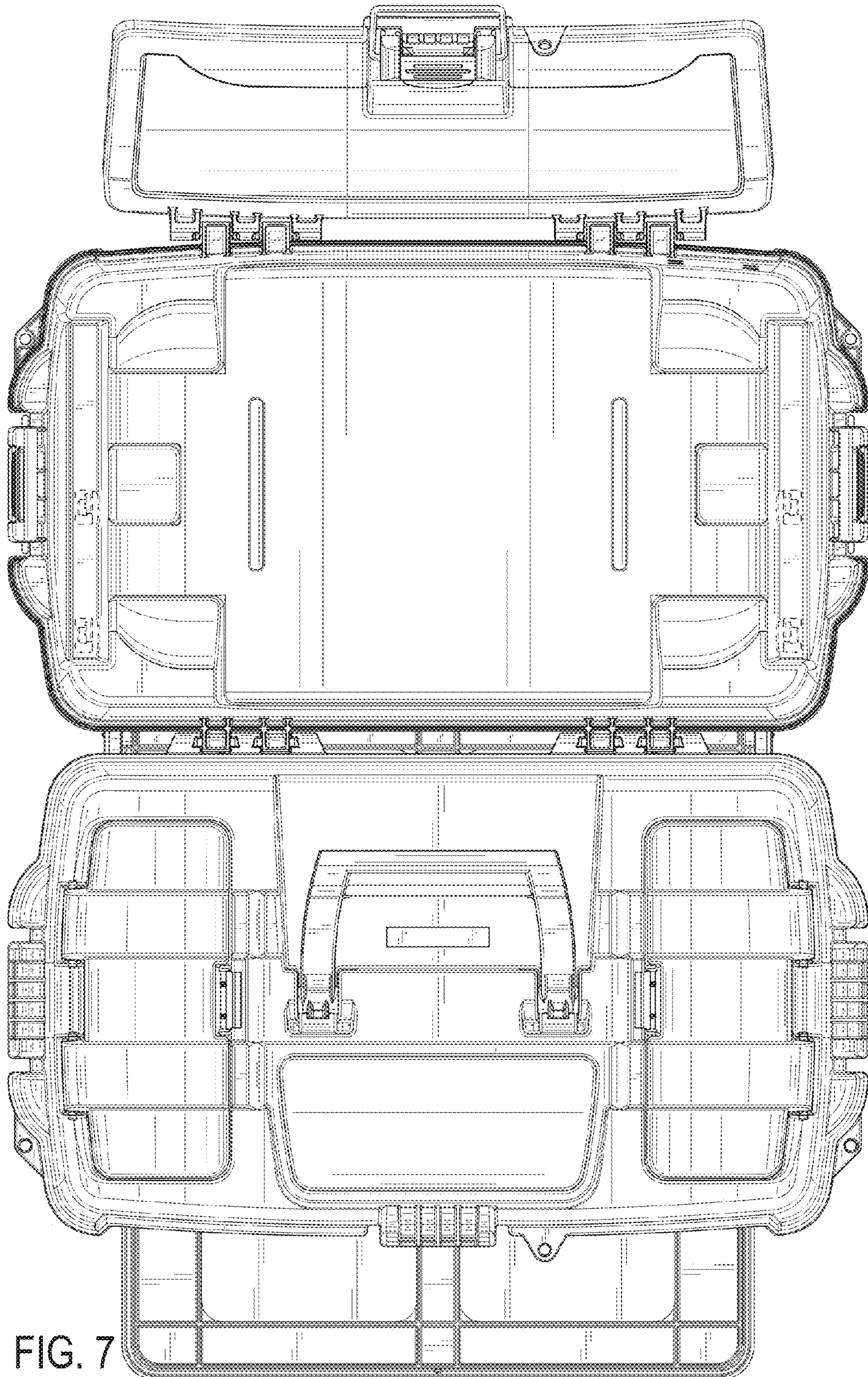


FIG. 7

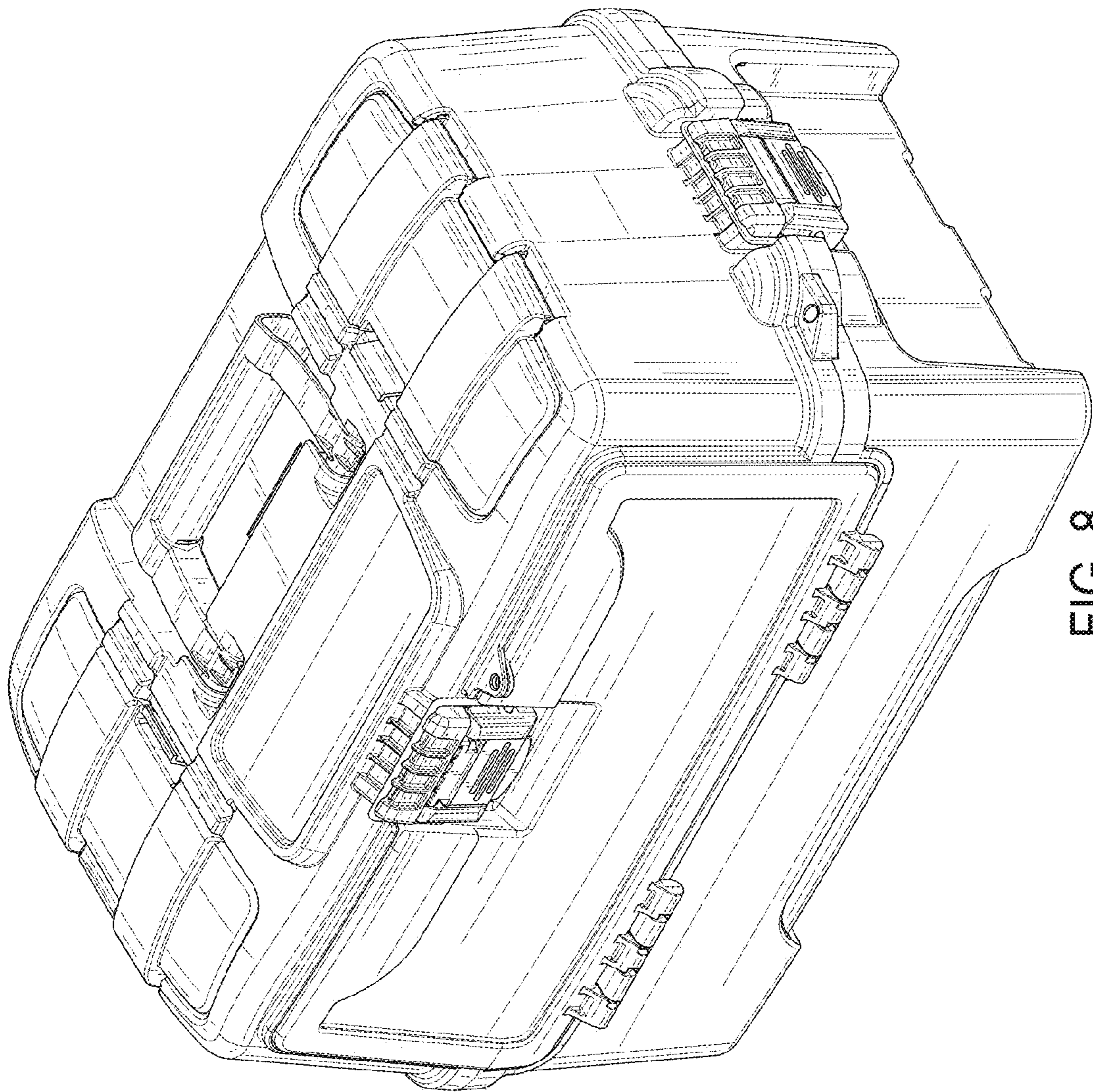


FIG. 8

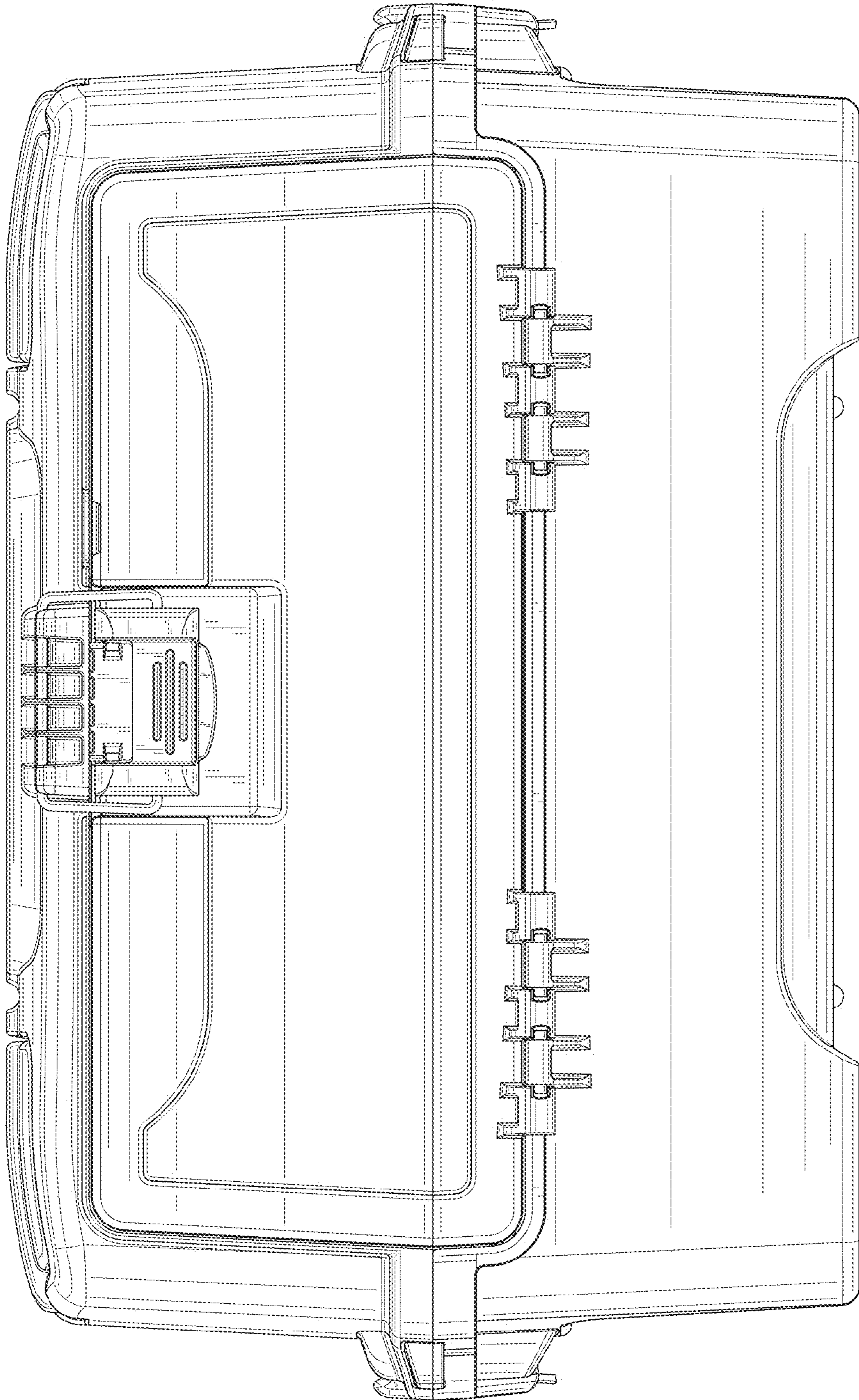


FIG. 9

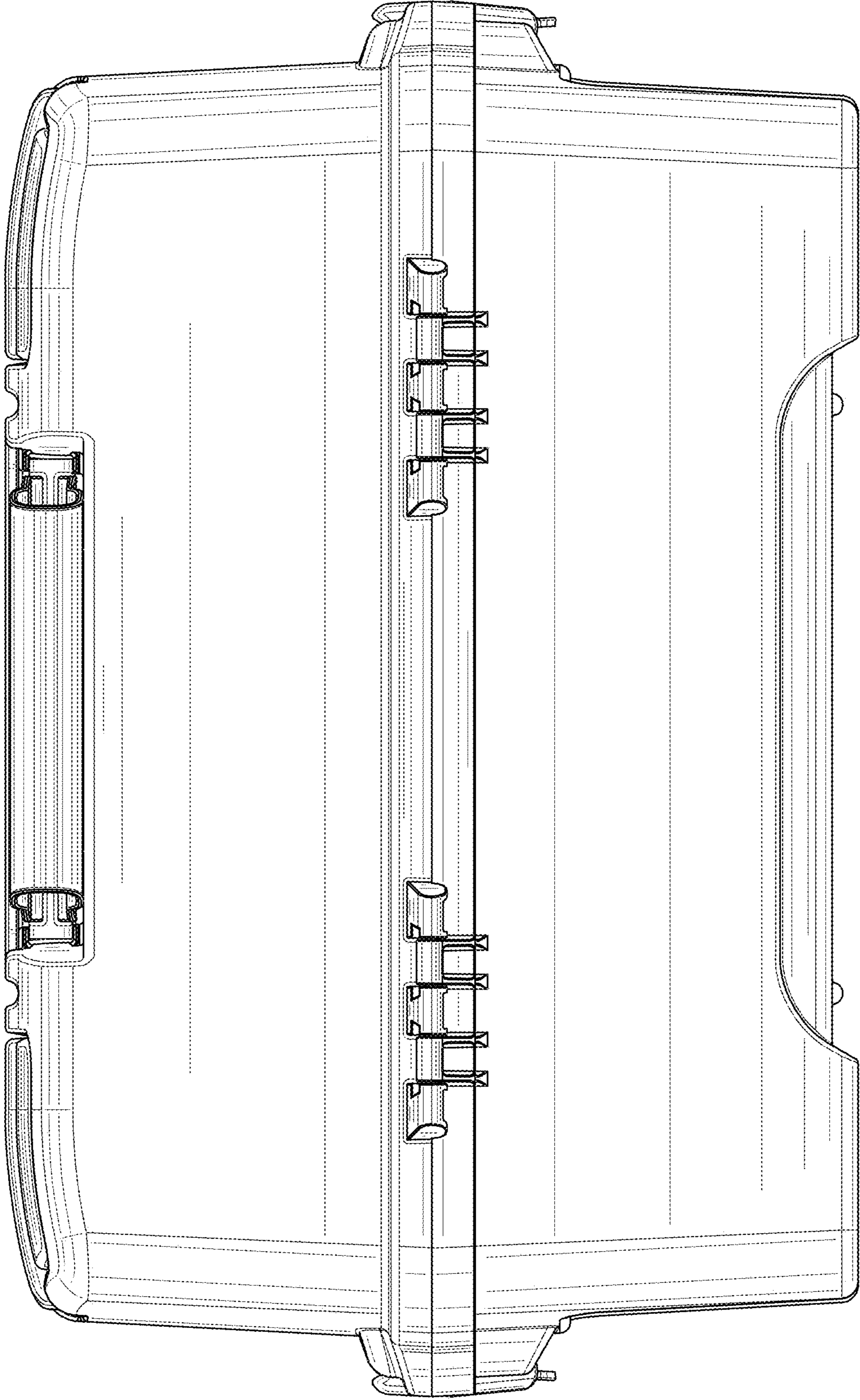


FIG. 10

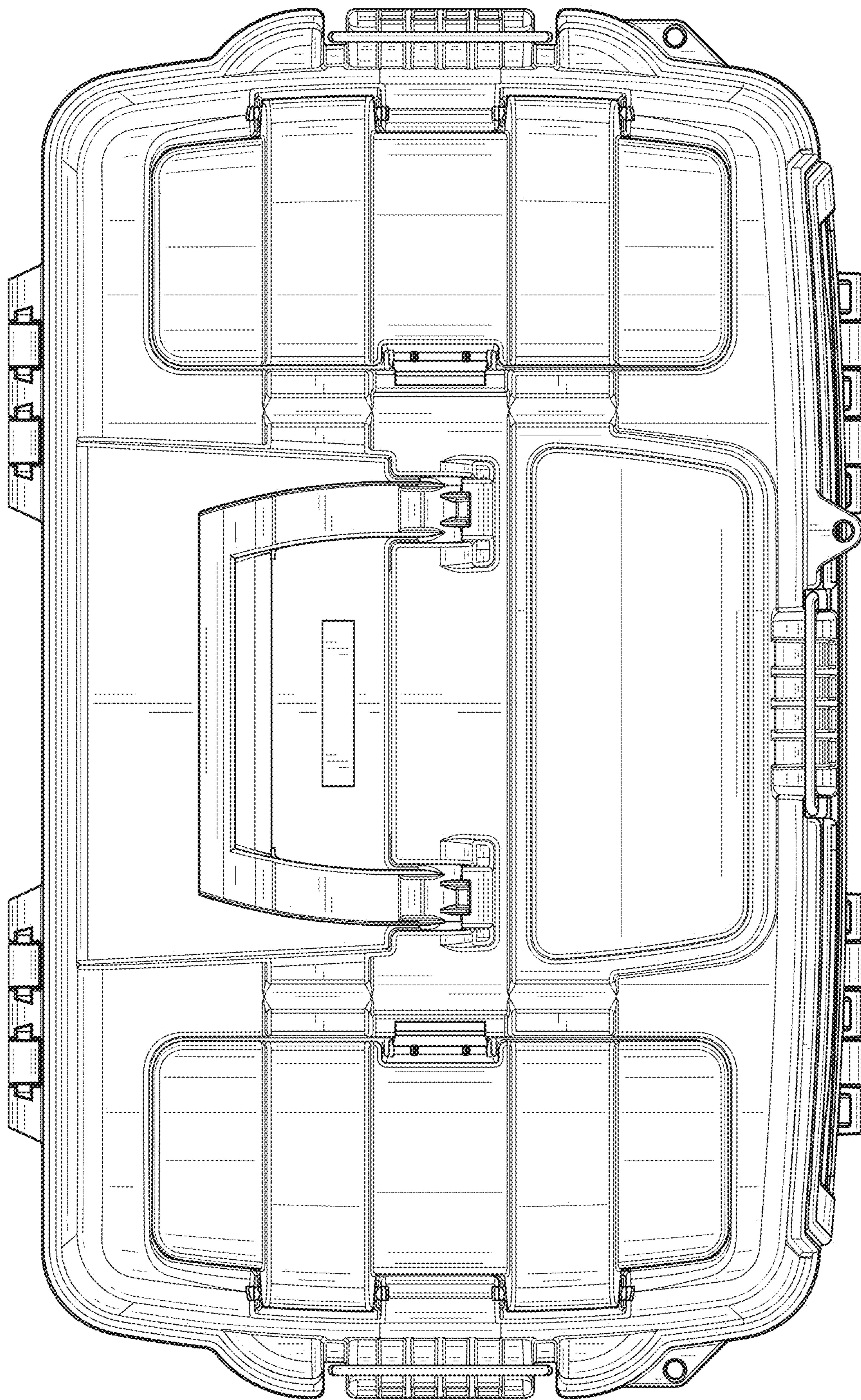


FIG. 11

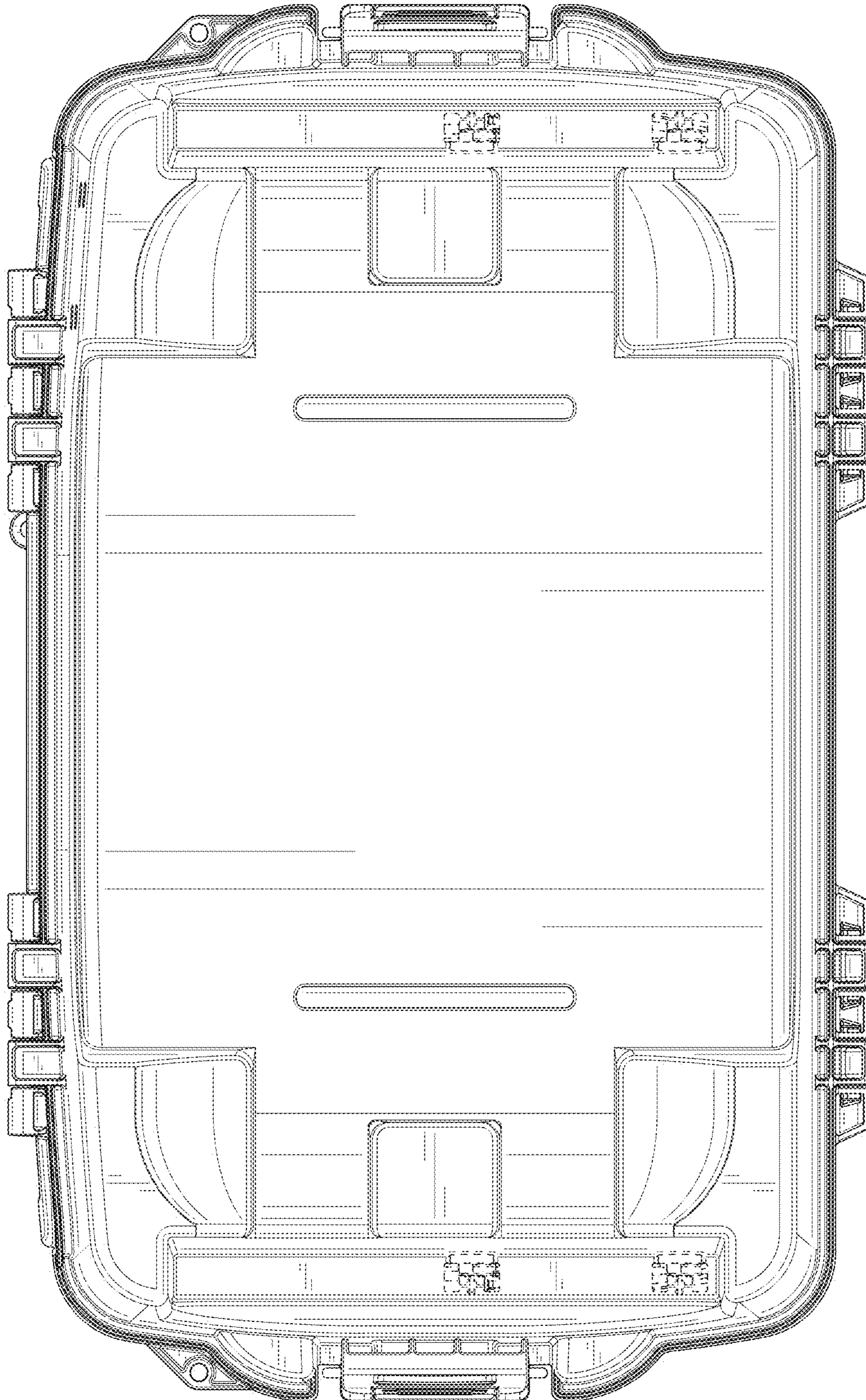


FIG. 12