



US00D730050S

(12) **United States Design Patent**
Hogan et al.

(10) **Patent No.:** **US D730,050 S**

(45) **Date of Patent:** **** May 26, 2015**

(54) **HARD-SIDED FOUR-WHEELED CASE**

(71) Applicants: **Donald Hogan**, Bay Shore, NY (US);
Georgene Rada, Northport, NY (US);
Jessica LoVerso, Astoria, NY (US);
Matthew Dierkes, Mount Sinai, NY
(US); **Richard Krulik**, Northport, NY
(US)

(72) Inventors: **Donald Hogan**, Bay Shore, NY (US);
Georgene Rada, Northport, NY (US);
Jessica LoVerso, Astoria, NY (US);
Matthew Dierkes, Mount Sinai, NY
(US); **Richard Krulik**, Northport, NY
(US)

(73) Assignee: **BRIGGS & RILEY TRAVELWARE
LLC**, Hauppauge, NY (US)

(**) Term: **14 Years**

(21) Appl. No.: **29/453,934**

(22) Filed: **May 3, 2013**

(51) **LOC (10) Cl.** **03-01**

(52) **U.S. Cl.**
USPC **D3/279; D3/289**

(58) **Field of Classification Search**
USPC **D3/272, 276, 278, 279, 273, 274, 281,**
D3/289, 321; 190/100–127, 903, 37, 39,
190/18 A, 1, 15.1, 19–40
See application file for complete search history.

(56) **References Cited**

U.S. PATENT DOCUMENTS

D428,695 S * 8/2000 Rothschild D3/211
D479,651 S * 9/2003 Shen D3/279
D644,838 S * 9/2011 Tong D3/279

D665,999 S * 8/2012 Gifford D3/279
8,453,813 B2 * 6/2013 Lai 190/110
2011/0186396 A1 * 8/2011 Sheikh 190/111
2013/0292220 A1 * 11/2013 Kerley 190/108

* cited by examiner

Primary Examiner — Jennifer Rivard

(74) *Attorney, Agent, or Firm* — Scully, Scott, Murphy &
Presser, P.C.

(57) **CLAIM**

We claim the ornamental design for a hard-sided four-
wheeled case, as shown and described.

DESCRIPTION

FIG. 1 is a front view of the hard-sided four-wheeled case
with the handle partially raised;
FIG. 2 is a front perspective view thereof;
FIG. 3 is a left side view thereof;
FIG. 4 is a rear perspective view thereof;
FIG. 5 is a rear view of the hard-sided four-wheeled case with
the handle lowered;
FIG. 6 is a right side view of the hard-sided four-wheeled case
with the handle partially raised;
FIG. 7 is a front perspective view showing the front pocket in
the open position;
FIG. 8 is a fragmentary top perspective view with the front
pocket in the open position;
FIG. 9 is a fragmentary view of the control panel of the
hard-sided four-wheeled case;
FIG. 10 is a bottom view of the hard-sided four-wheeled case;
and,
FIG. 11 is a fragmentary view of the wheel of the hard-sided
four-wheeled case.
The short broken line disclosure of the paper in FIG. 8 illus-
trates the environment and forms no part of the claimed
design. The long dashed lines in FIGS. 7 and 8 illustrate
stitching and form part of the claimed design.

1 Claim, 11 Drawing Sheets





FIG. 1



FIG. 2

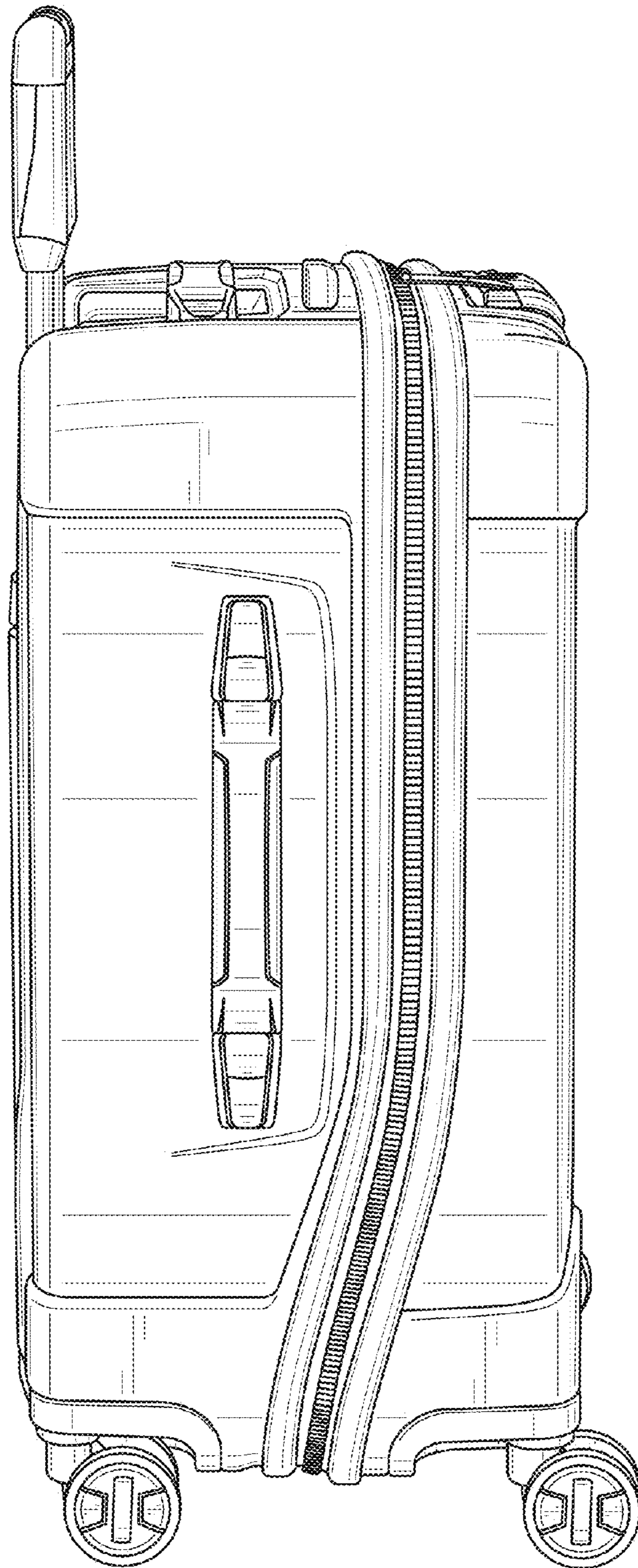


FIG. 3

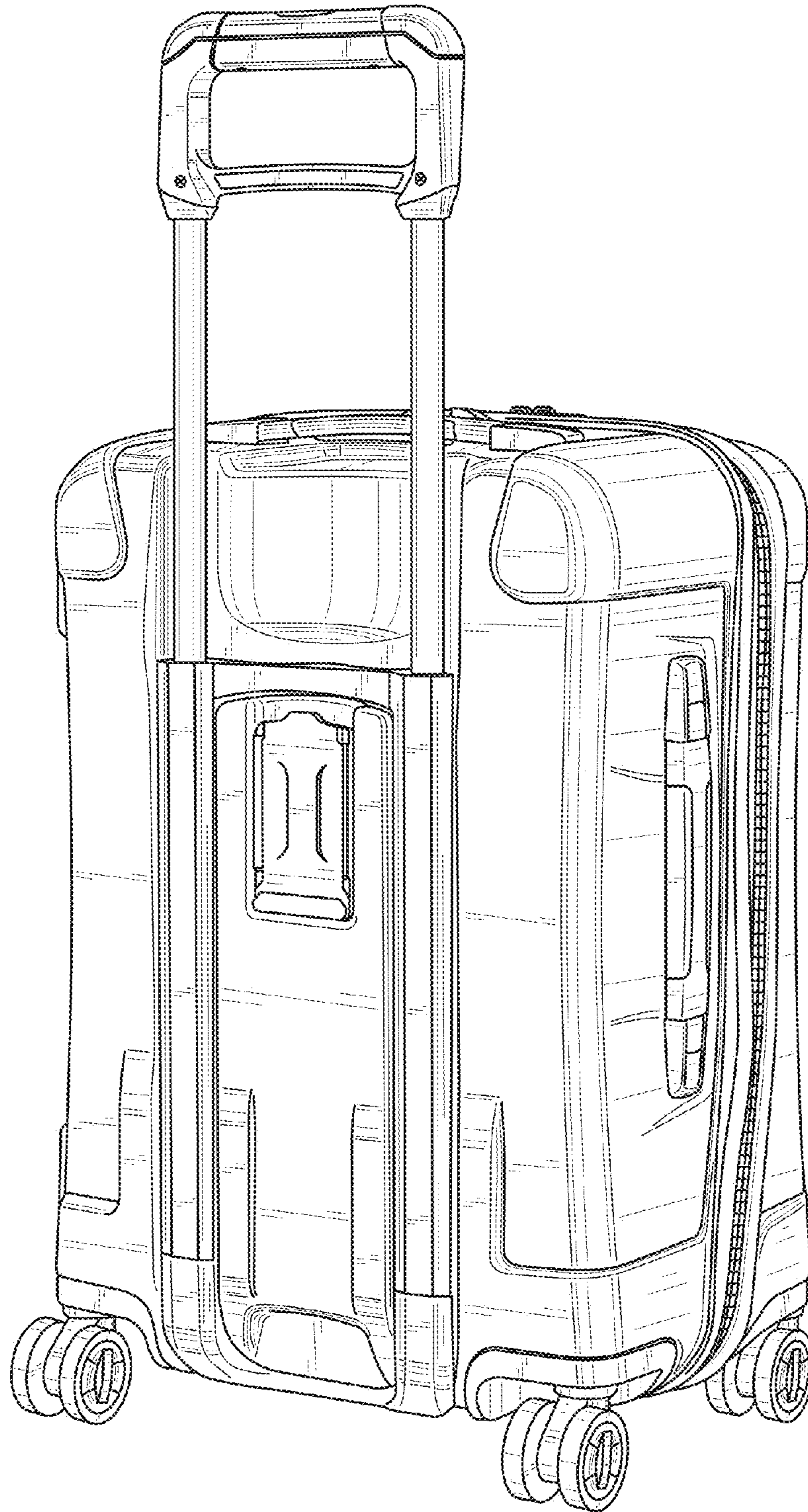


FIG. 4

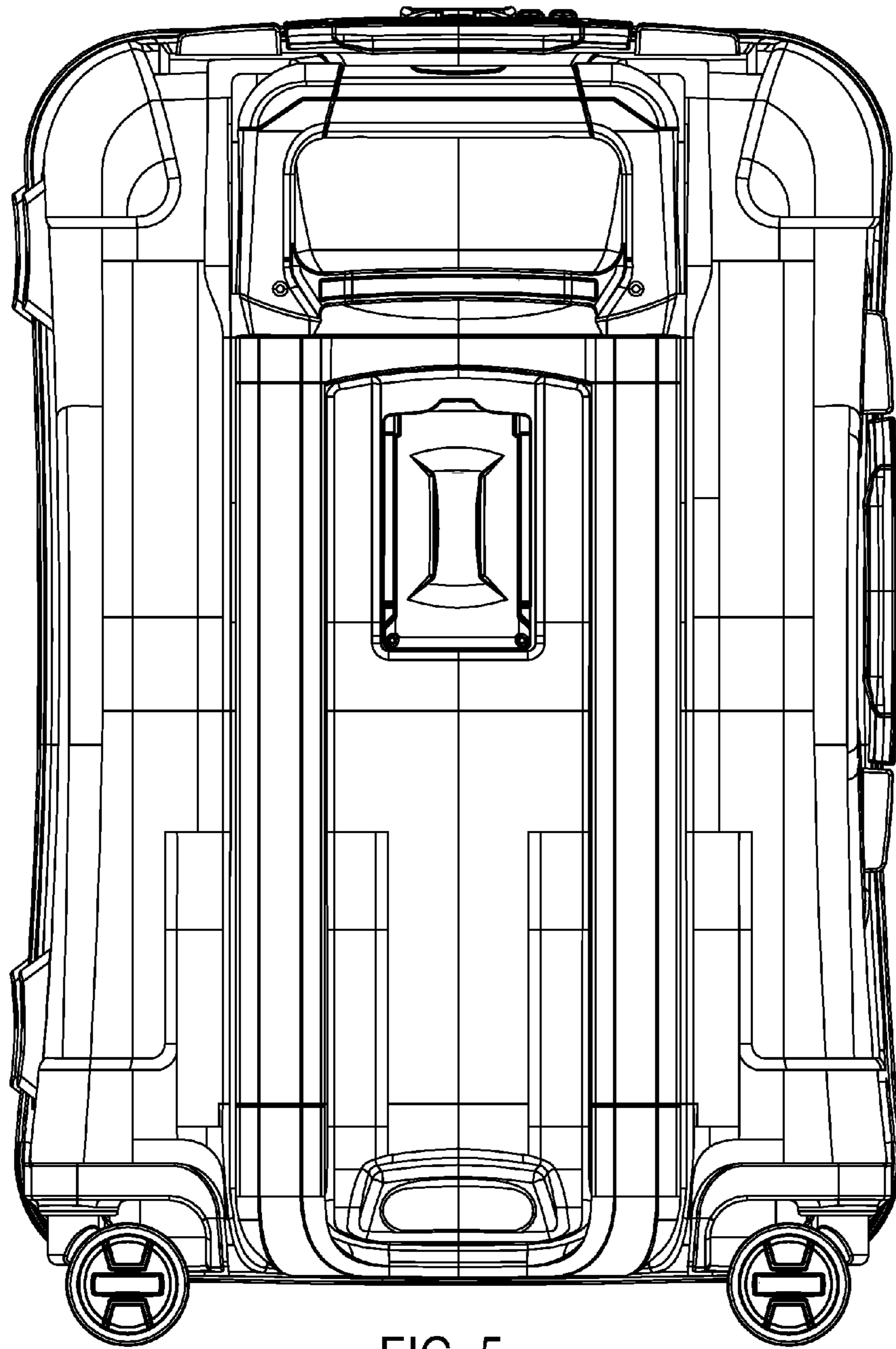


FIG. 5

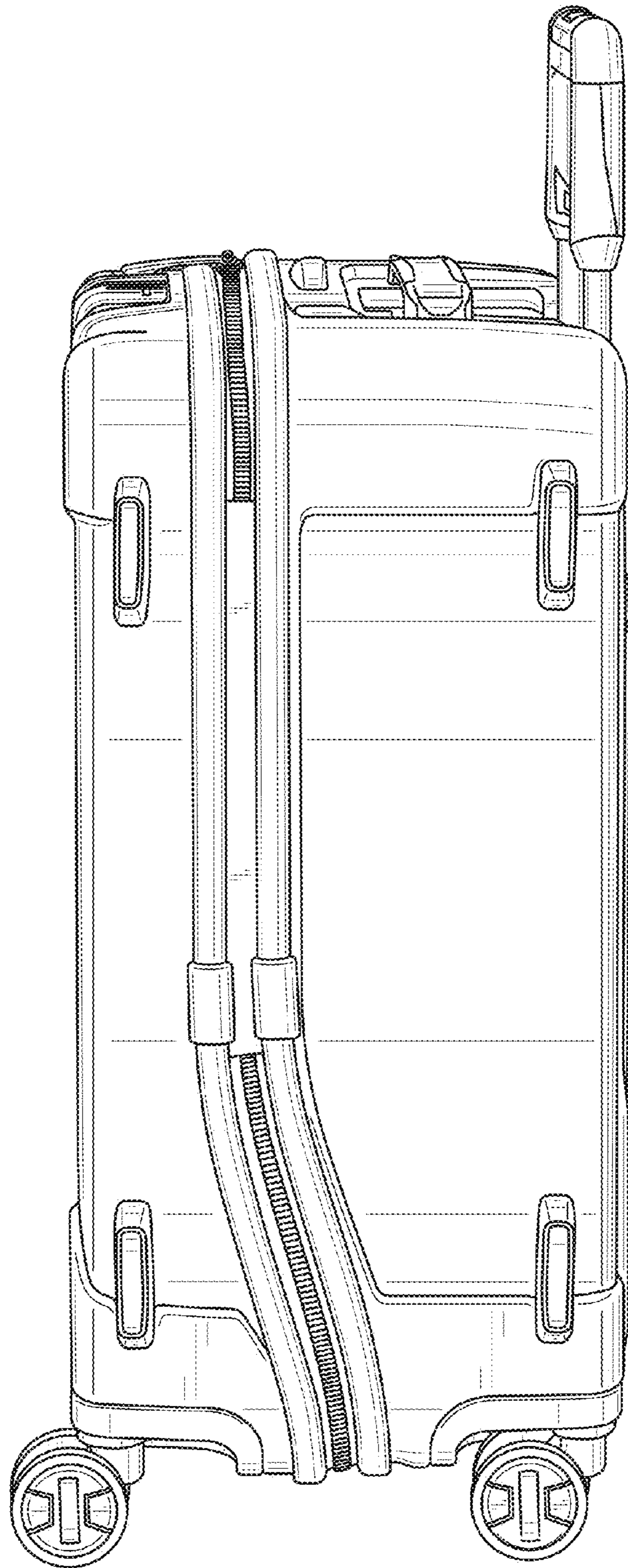


FIG. 6

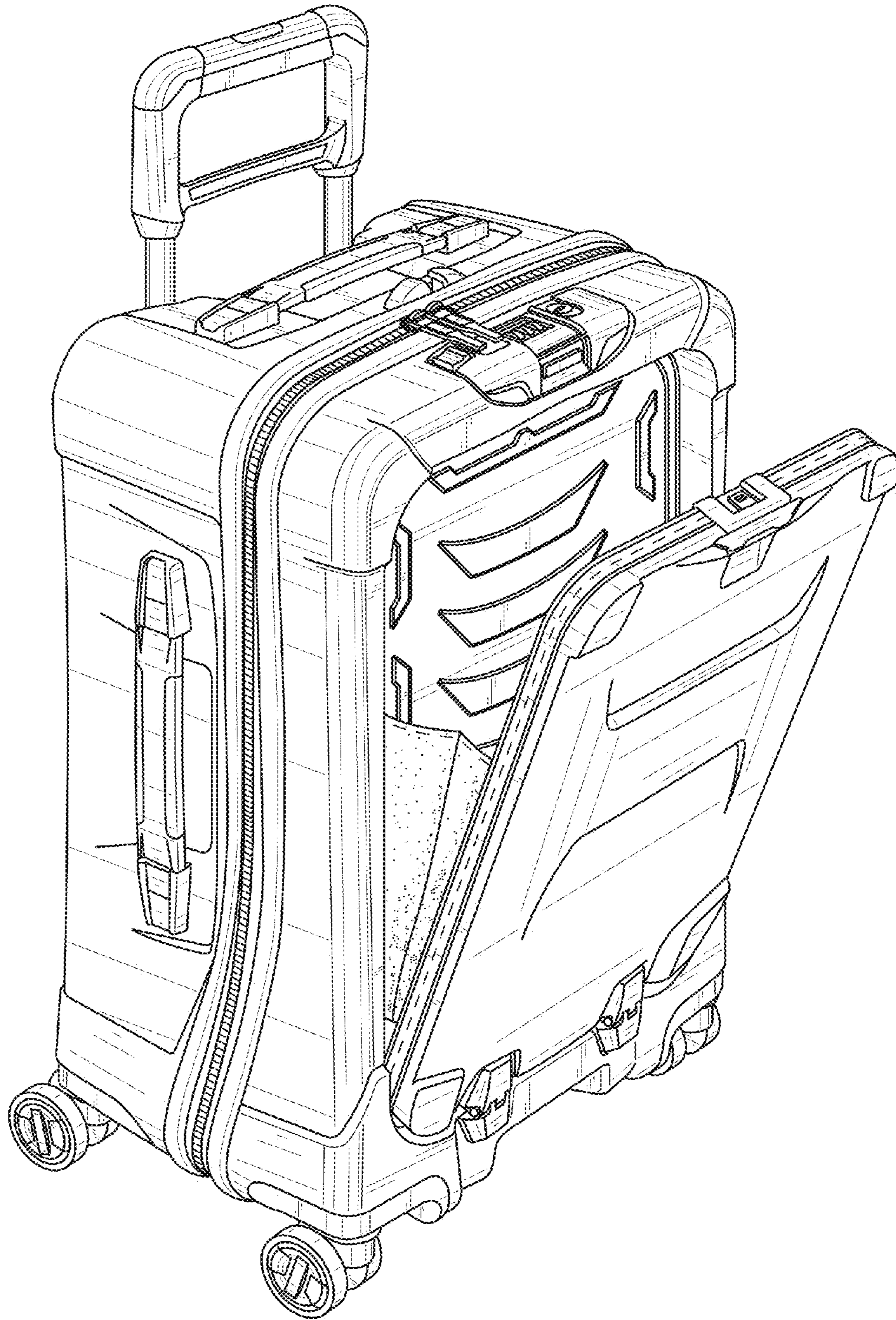


FIG. 7

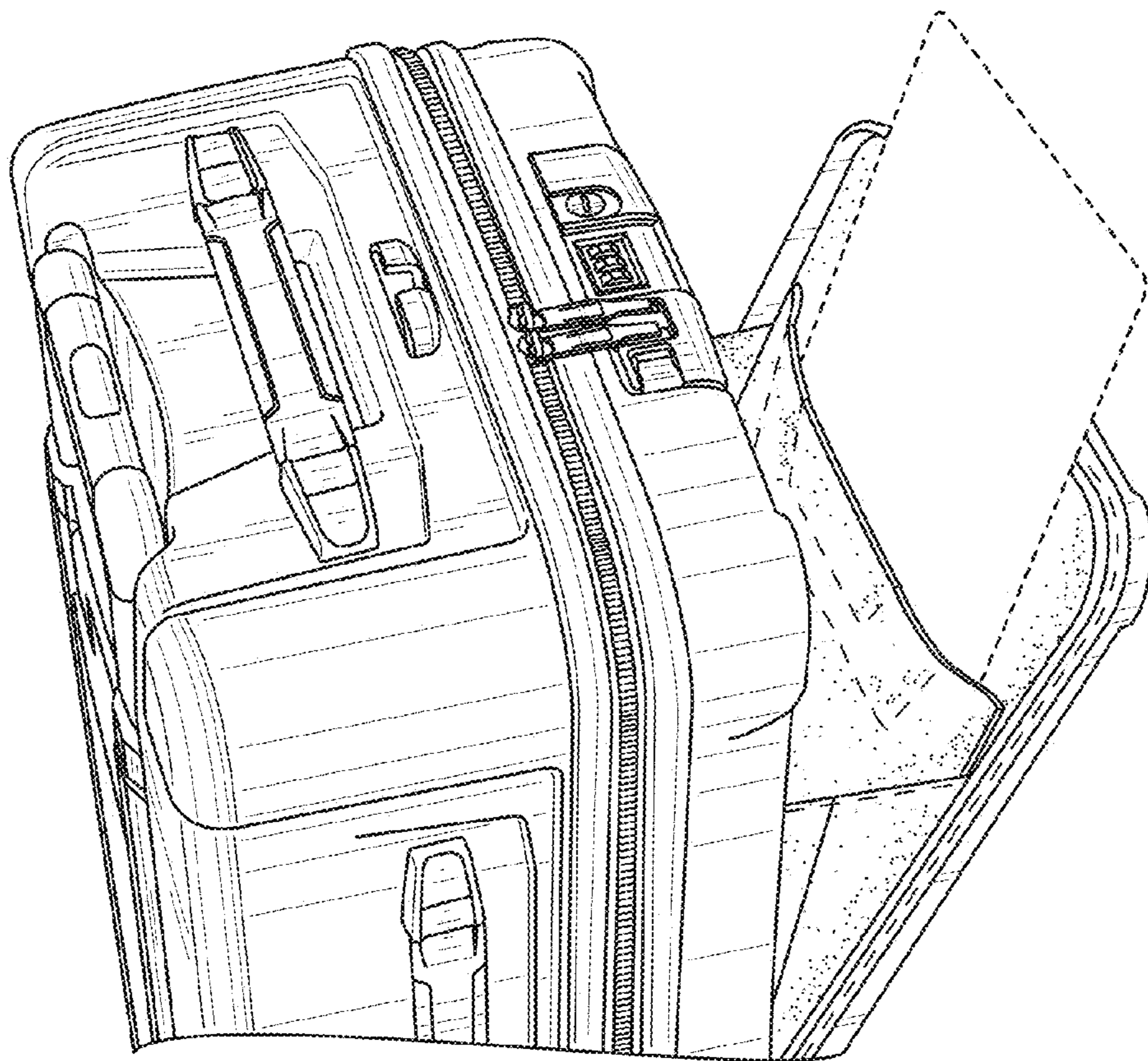


FIG. 8

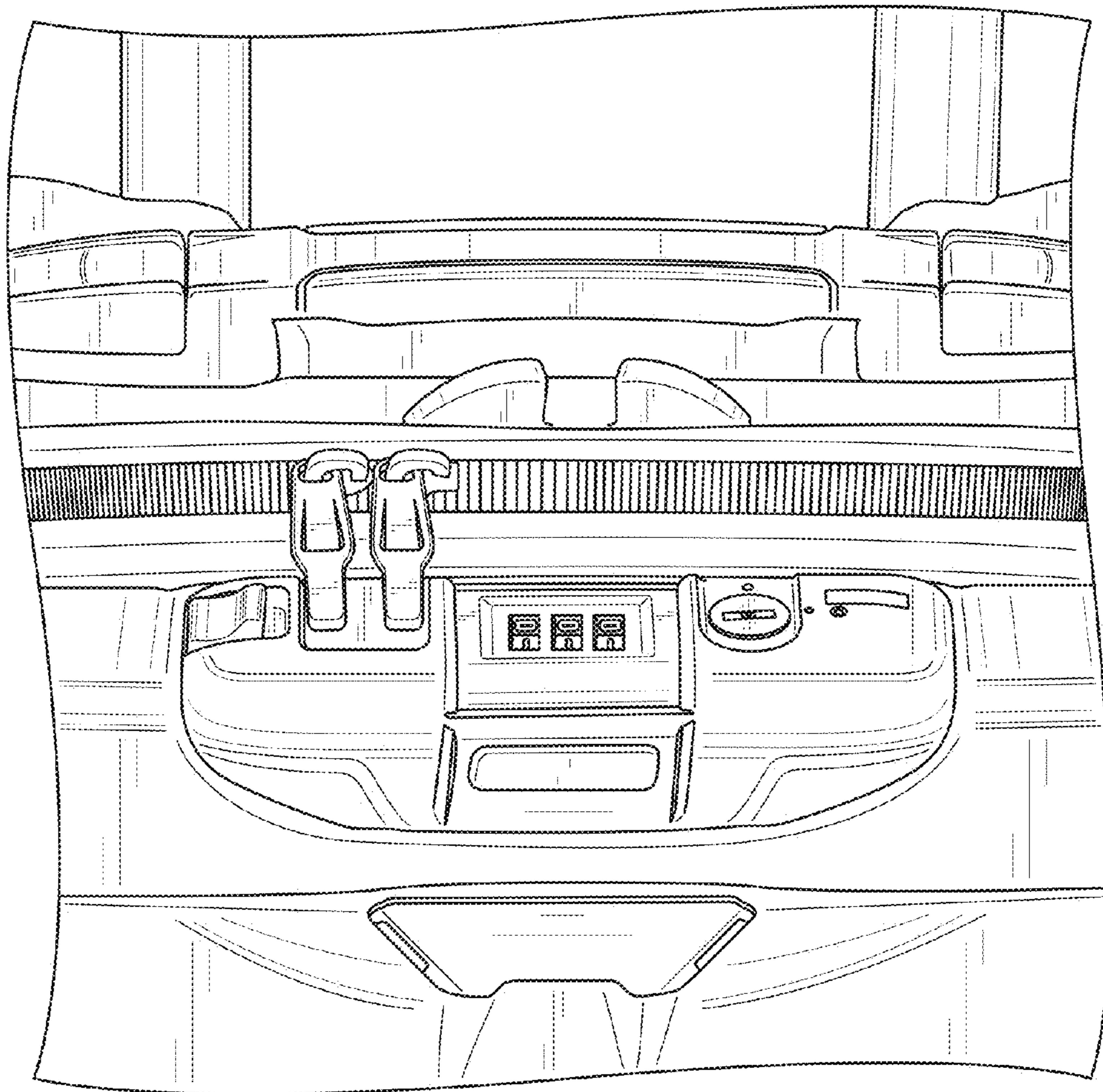


FIG. 9

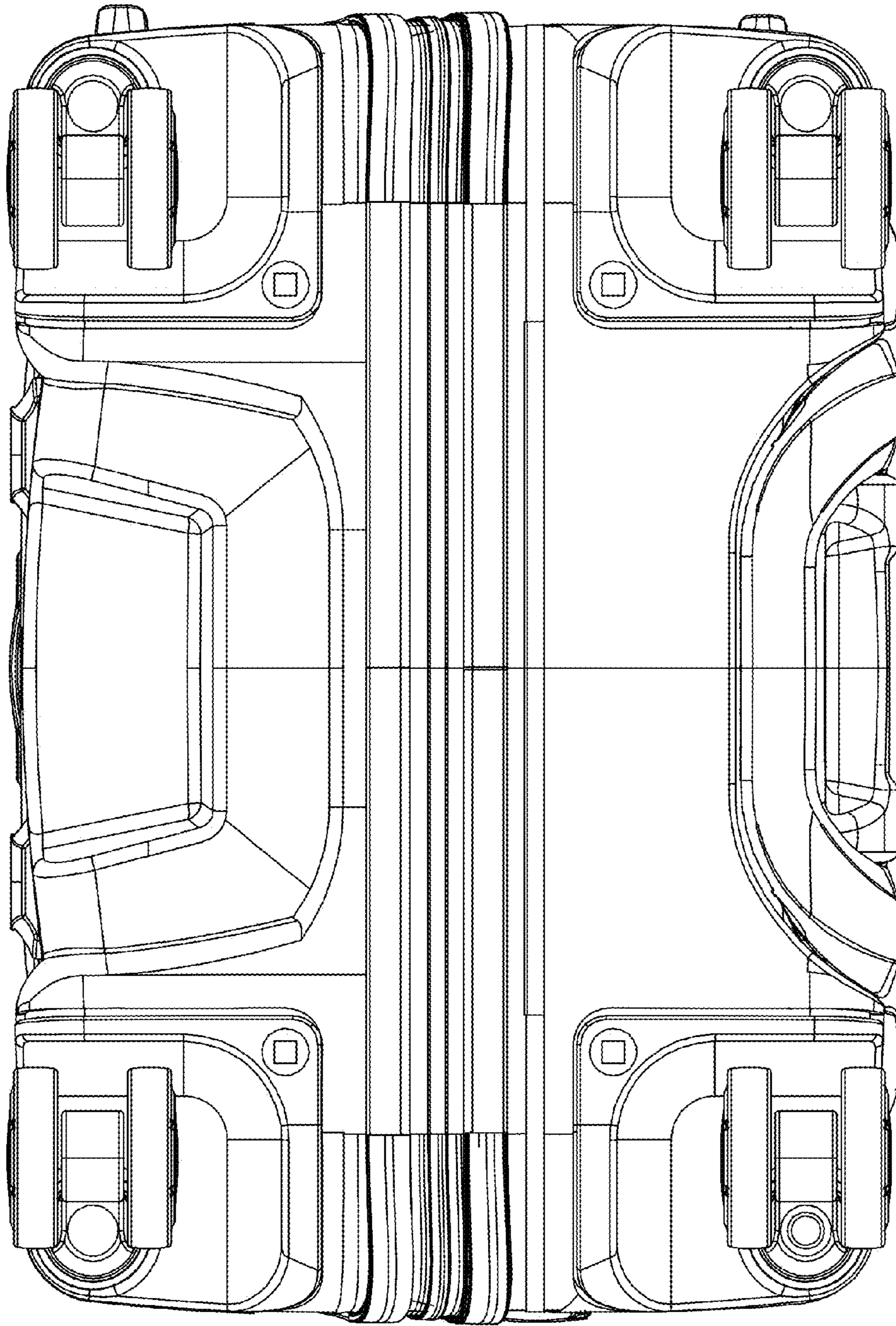


FIG. 10

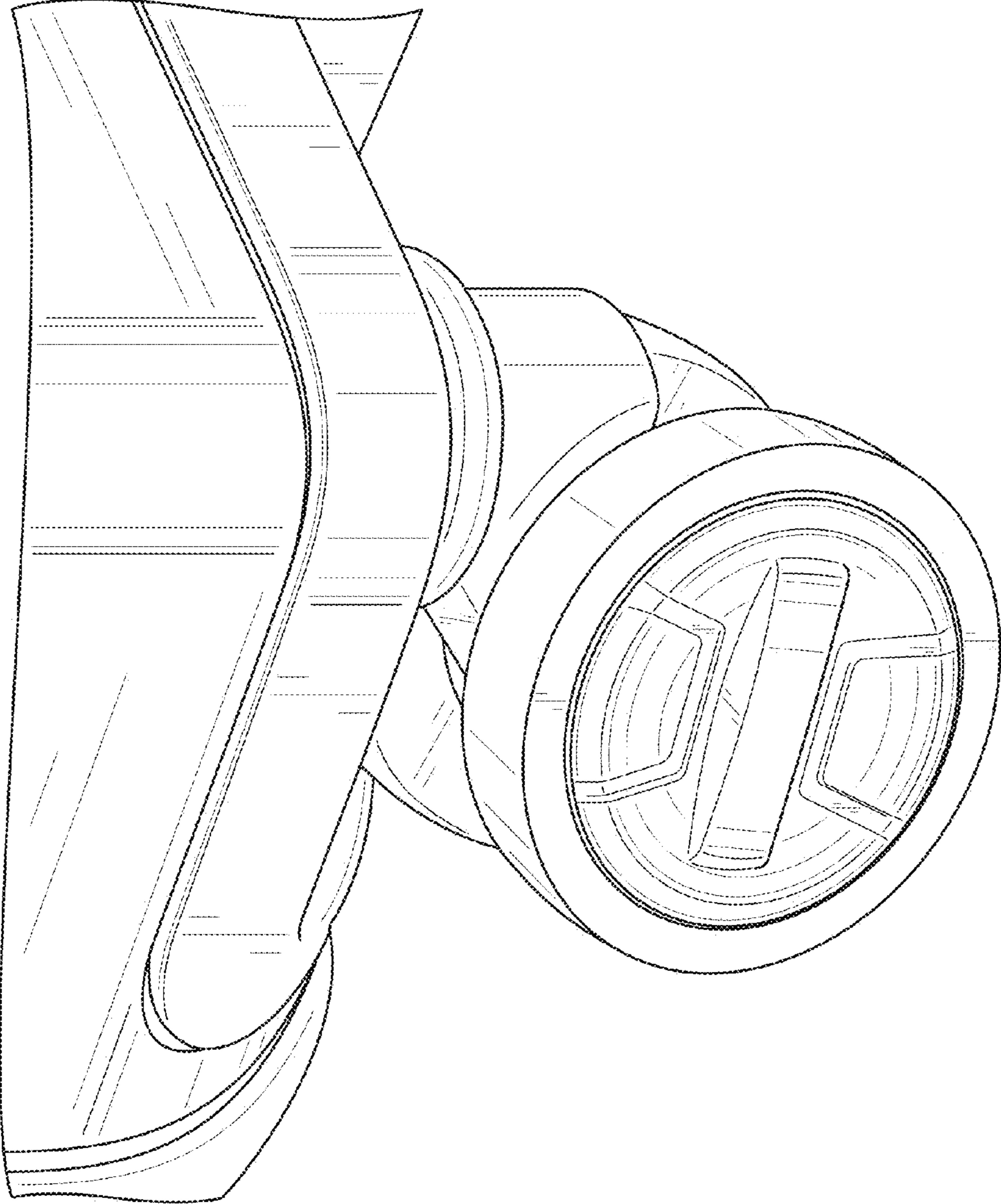


FIG. 11