



US00D730048S

(12) **United States Design Patent**
Müller et al.

(10) **Patent No.:** **US D730,048 S**

(45) **Date of Patent:** **** May 26, 2015**

(54) **HOUSING FOR BREATHING MASKS**

(71) Applicant: **Dräger Safety AG & Co. KGaA**,
Lubeck (DE)

(72) Inventors: **Rüdiger Müller**, Stockelsdorf (DE);
Michael Rosert, Timmendorfer Strand
(DE); **Suzanne Mary Johnson**, Barnitz
(DE); **Lennart Wenzel**, Lübeck (DE)

(73) Assignee: **Dräger Safety AG & CO. KGAA**,
Lubeck (DE)

(**) Term: **14 Years**

(21) Appl. No.: **29/471,985**

(22) Filed: **Nov. 7, 2013**

(30) **Foreign Application Priority Data**

May 16, 2013 (EM) 002238386-0001

(51) **LOC (10) Cl.** **03-01**

(52) **U.S. Cl.**
USPC **D3/269; D3/201**

(58) **Field of Classification Search**
USPC D3/201, 203.1, 203.6, 269–270, 271.1,
D3/272–273; 206/803; D29/103–109

See application file for complete search history.

(56) **References Cited**

U.S. PATENT DOCUMENTS

D238,979 S * 2/1976 Perry D3/203.1
D418,287 S * 1/2000 Moor D3/201
D679,904 S * 4/2013 Allan D3/203.1
D698,539 S * 2/2014 Dhillon D3/201

* cited by examiner

Primary Examiner — Catheri Oliver-Garcia

(74) *Attorney, Agent, or Firm* — Taft Stettinius & Hollister
LLP; Ryan O. White

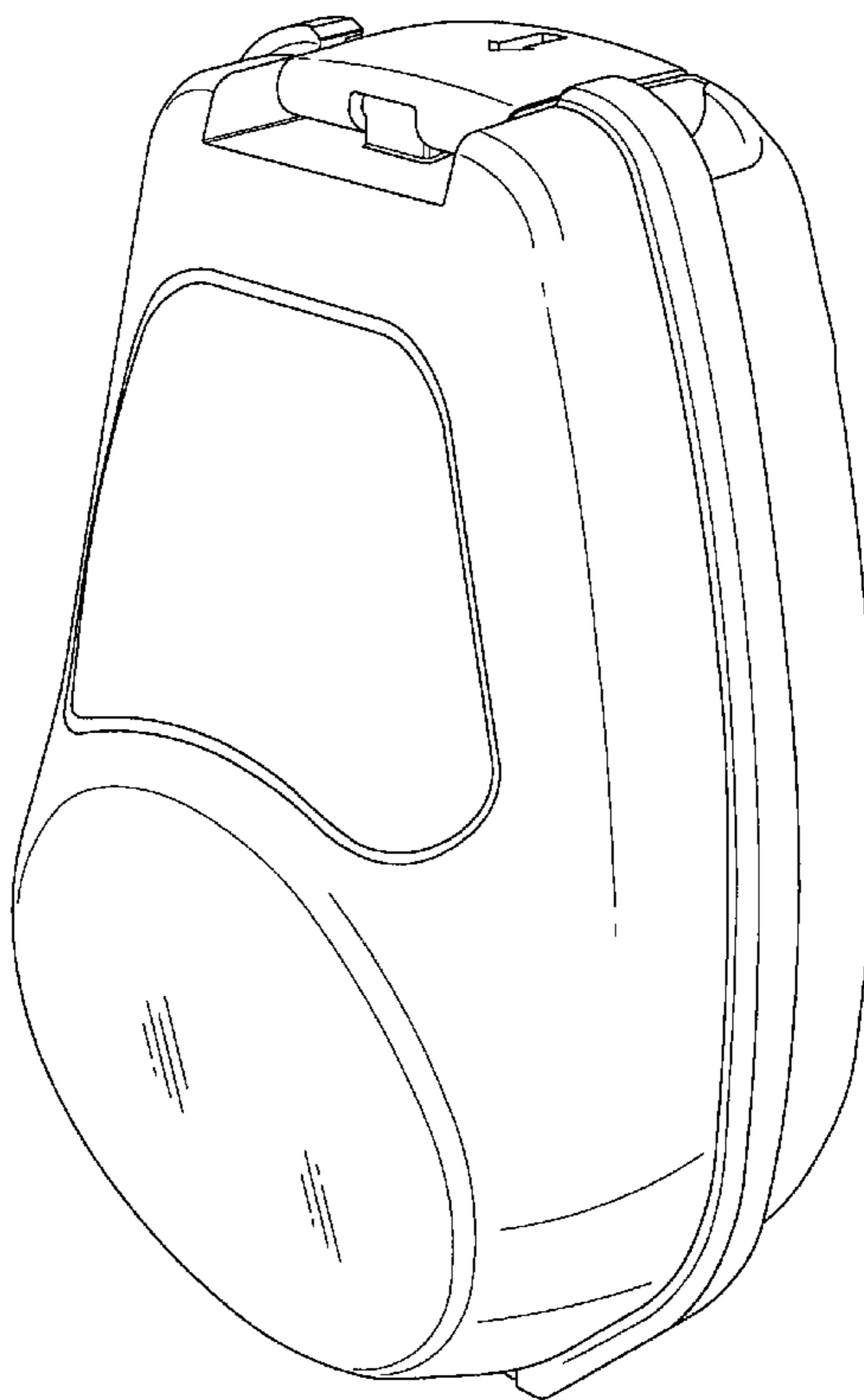
(57) **CLAIM**

The ornamental design for a housing for breathing masks, as shown and described.

DESCRIPTION

FIG. 1 is a perspective view of the housing for breathing masks that illustrates the novel design;
FIG. 2 is a top view of the housing for breathing masks of FIG. 1;
FIG. 3 is a bottom view of the housing for breathing masks of FIG. 1;
FIG. 4 is a right side view of the housing for breathing masks of FIG. 1;
FIG. 5 is a left side view of the housing for breathing masks of FIG. 1;
FIG. 6 is a front view of the housing for breathing masks of FIG. 1; and,
FIG. 7 is a rear view of the housing for breathing masks of FIG. 1.

1 Claim, 7 Drawing Sheets



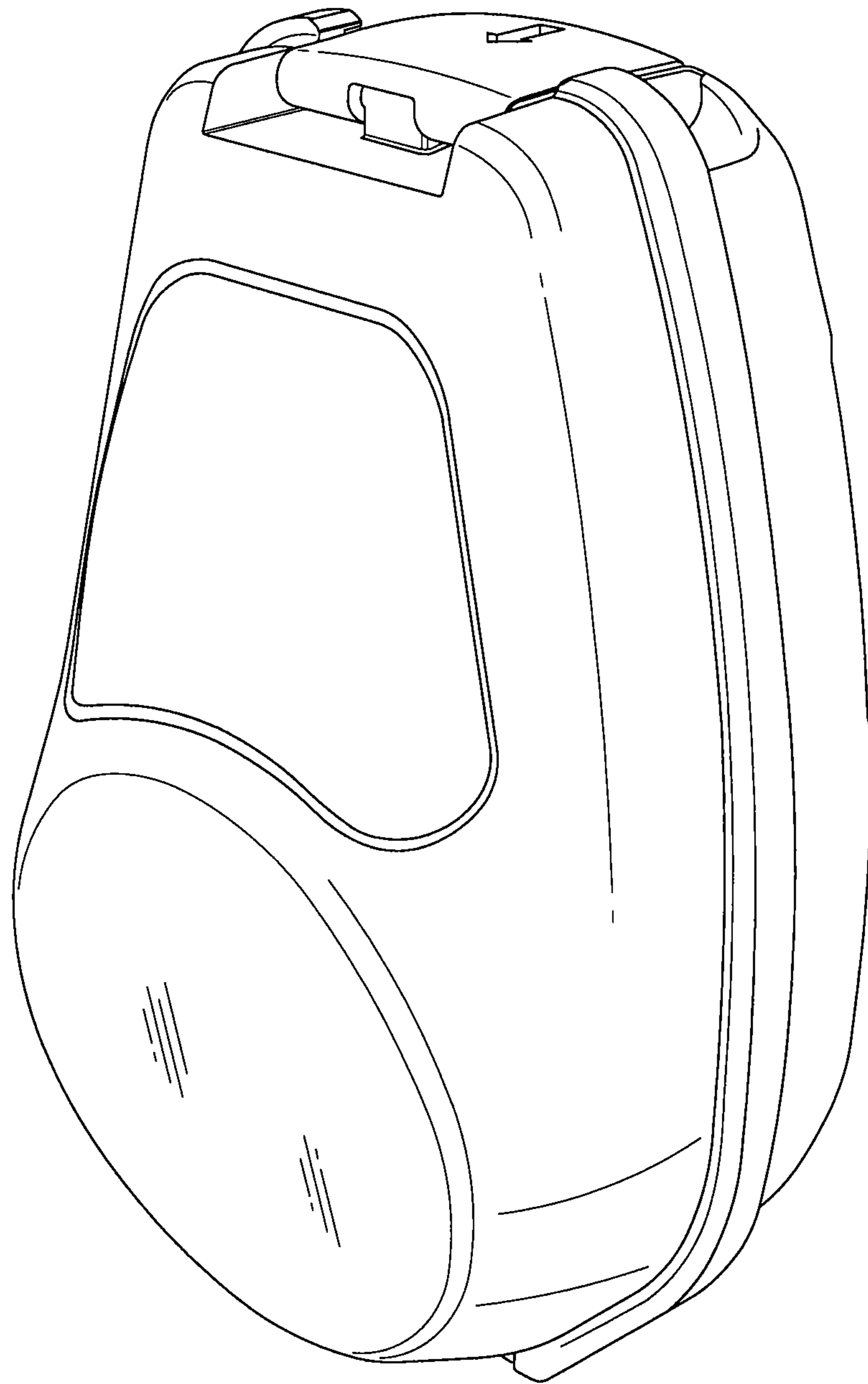


FIG. 1

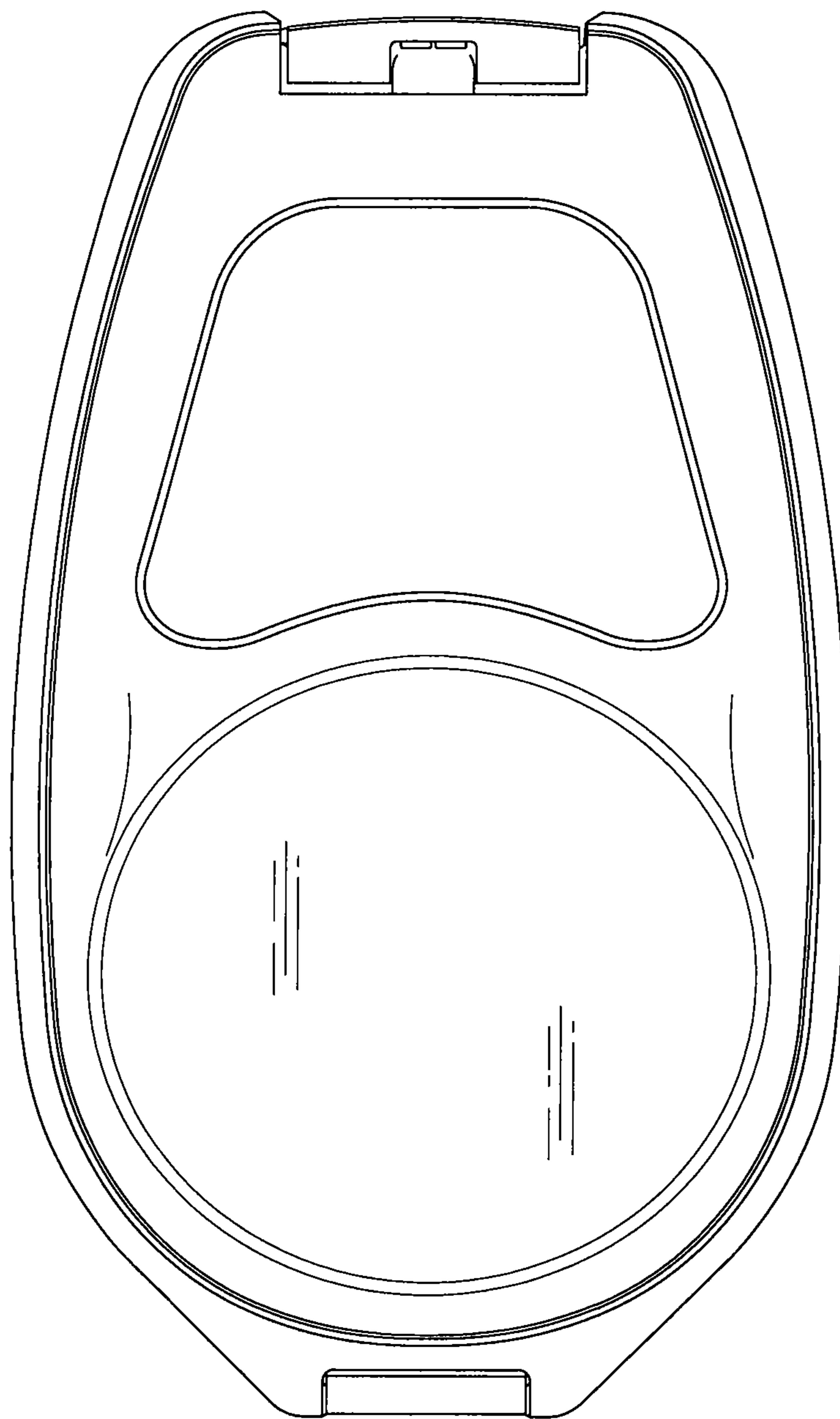


FIG. 2

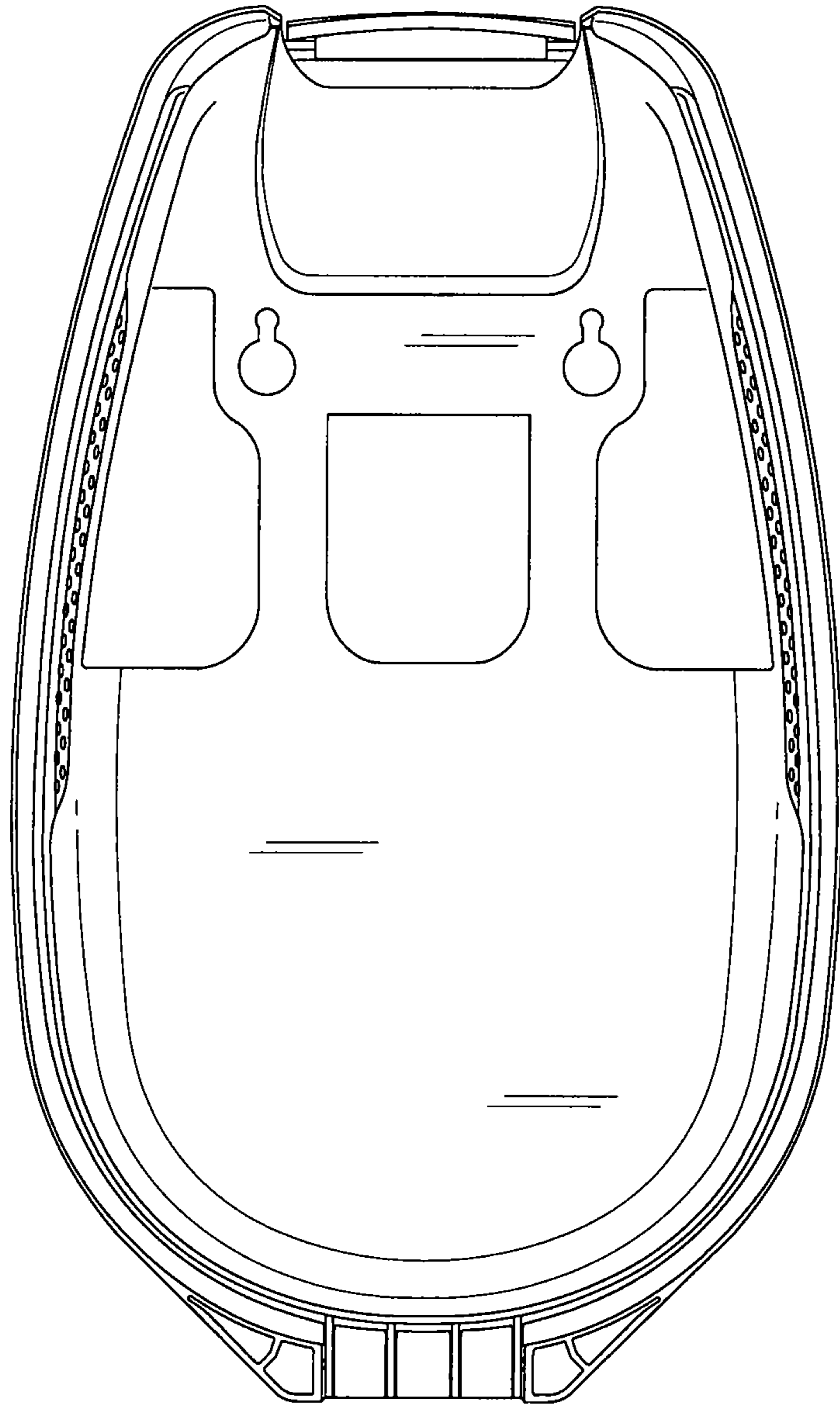


FIG. 3

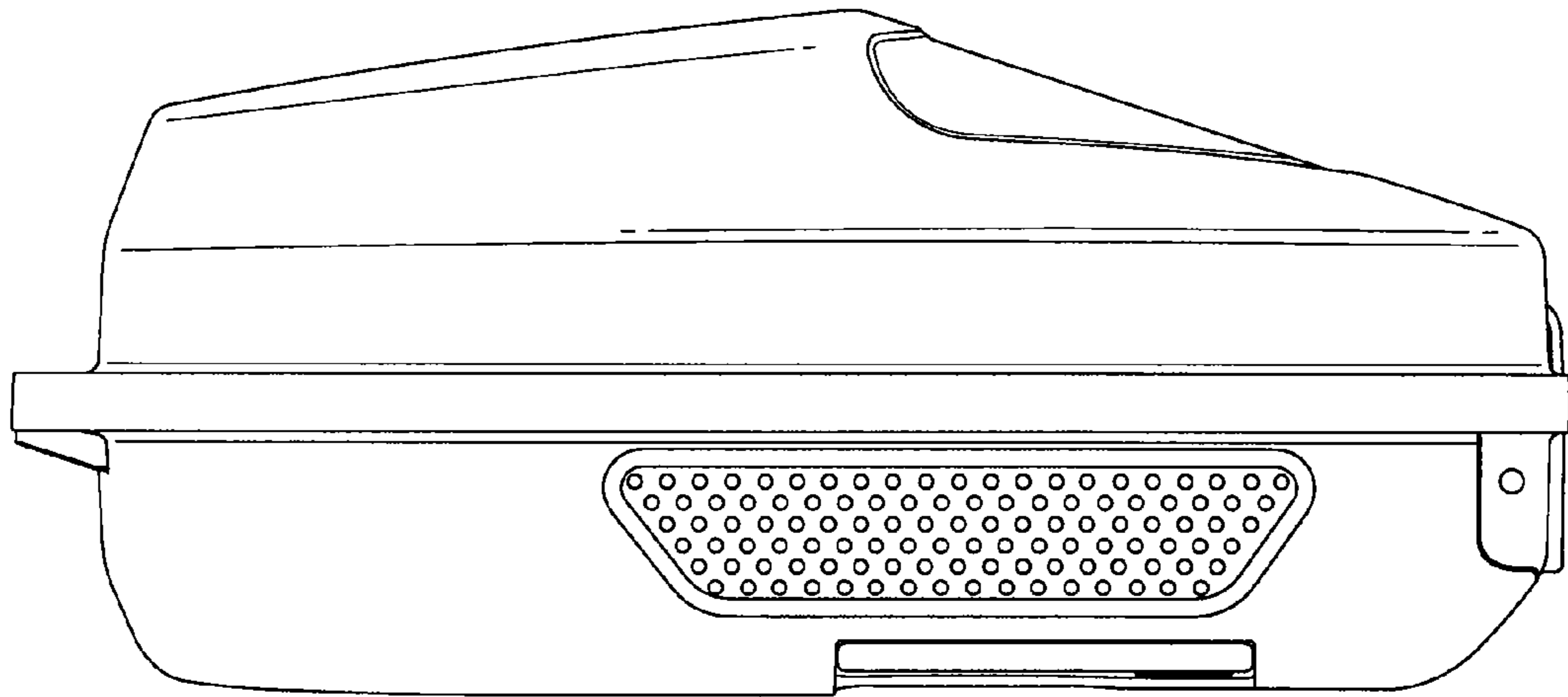


FIG. 4

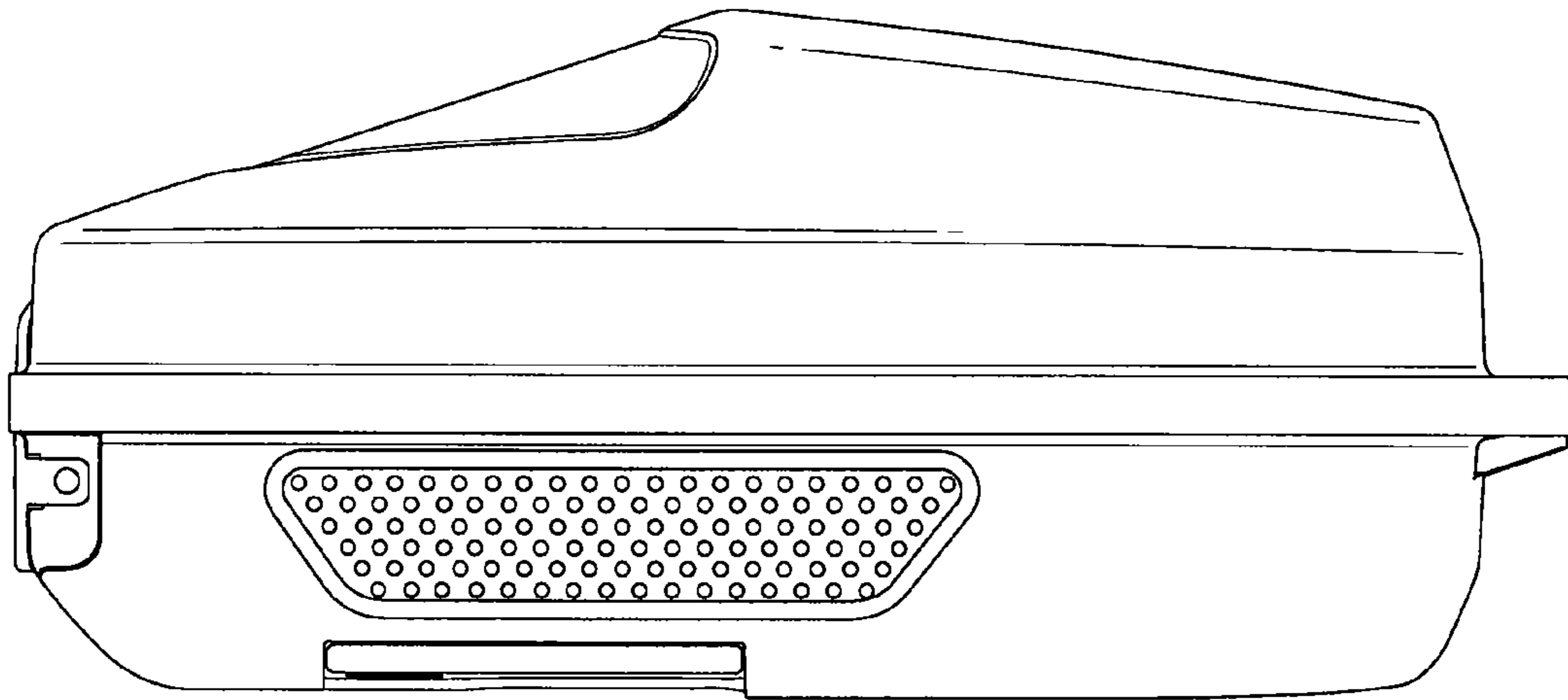


FIG. 5

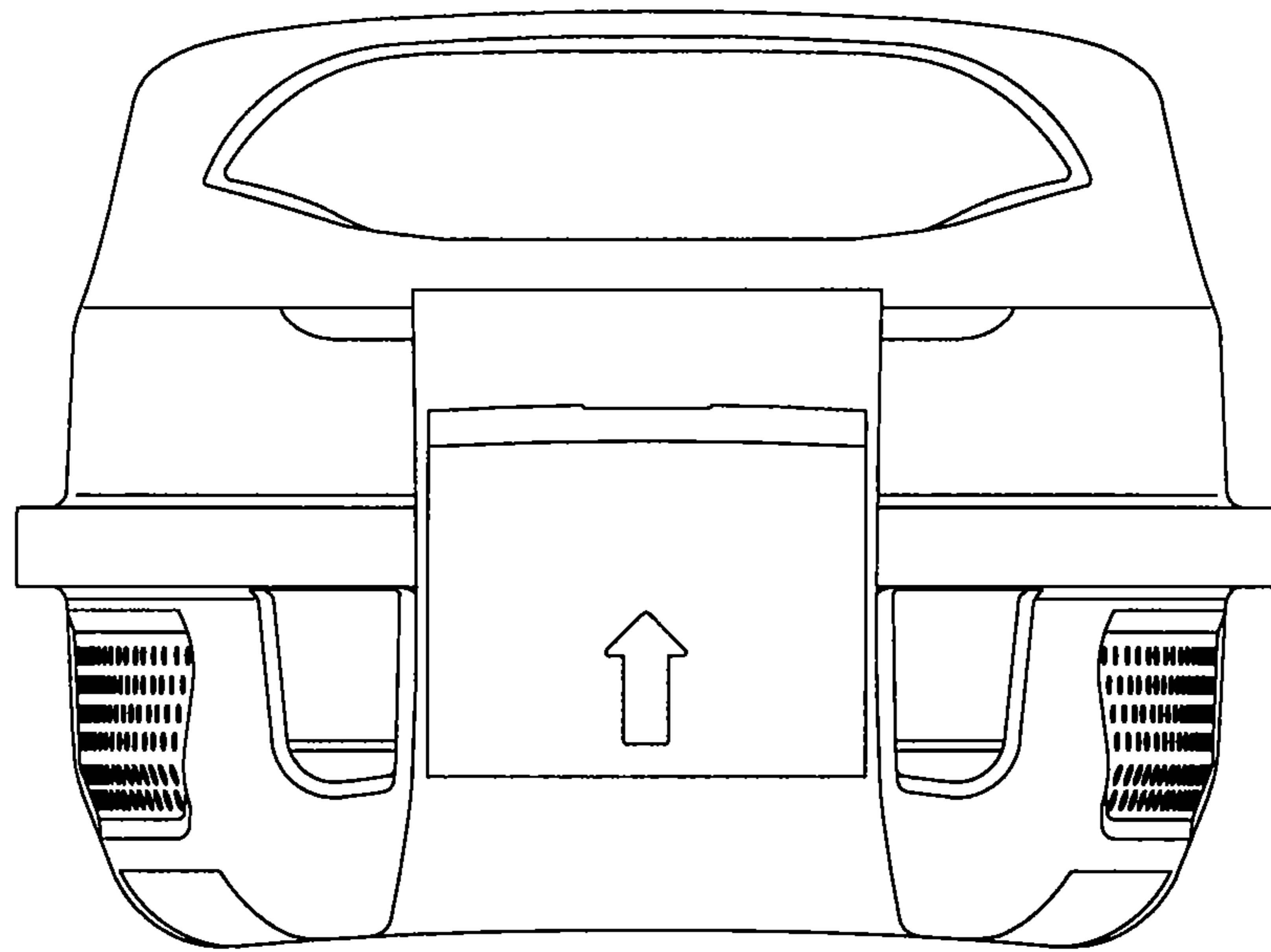


FIG. 6

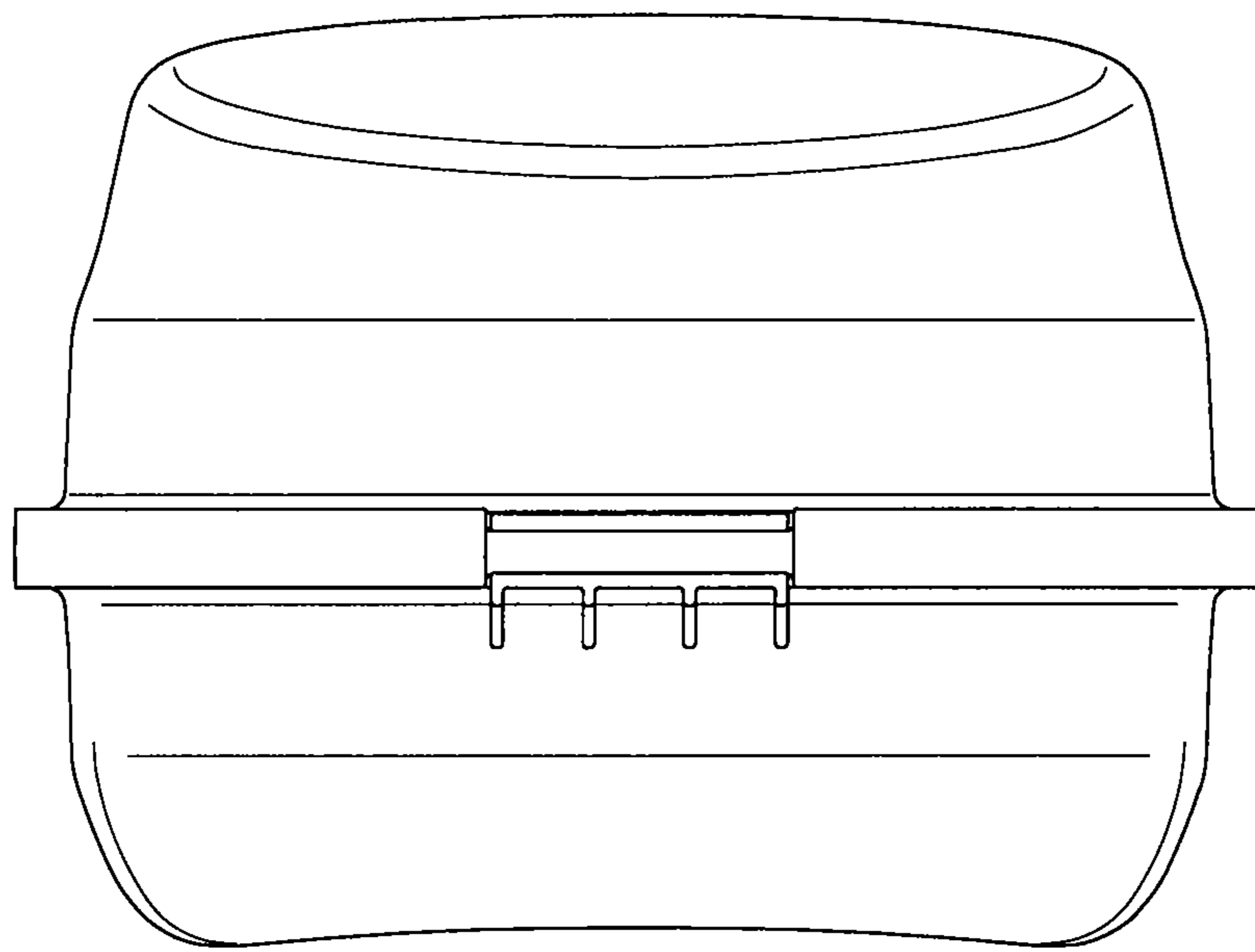


FIG. 7