



US00D730047S

(12) **United States Design Patent**
Yi

(10) **Patent No.:** **US D730,047 S**

(45) **Date of Patent:** **** May 26, 2015**

(54) **HOLDER**

(71) Applicant: **Sung Yi**, Kentwood, MI (US)

(72) Inventor: **Sung Yi**, Kentwood, MI (US)

(**) Term: **14 Years**

(21) Appl. No.: **29/471,551**

(22) Filed: **Nov. 1, 2013**

(51) **LOC (10) Cl.** **03-01**

(52) **U.S. Cl.**
USPC **D3/247**

(58) **Field of Classification Search**
CPC A45C 1/06
USPC D3/247, 249, 253; 150/132, 136-137,
150/147

See application file for complete search history.

(56) **References Cited**

U.S. PATENT DOCUMENTS

715,809	A	12/1902	Jagodnigg
781,948	A	2/1905	Hegele
1,326,602	A	12/1918	McKey
1,580,346	A	4/1926	Sutter
1,714,688	A	5/1929	Mikkelsen
1,973,420	A	9/1934	Trussell
D108,251	S	2/1938	St. Thomas
2,108,015	A	2/1938	Kalish
2,359,473	A	1/1944	Fry
2,354,782	A	8/1944	Stradling et al.
2,479,472	A	8/1949	Coplon
D175,071	S	7/1955	Griffith
2,887,218	A	5/1959	Kirby
D185,943	S	8/1959	Schotland
3,370,777	A	2/1968	Levi
D259,749	S	7/1981	McDonald
4,286,639	A	9/1981	Murphy
4,296,945	A	10/1981	Pavlik
D264,022	S	4/1982	Wayman

(Continued)

OTHER PUBLICATIONS

Photos (11) of previous prototype publicly shown at least as early as May 11, 2012.

(Continued)

Primary Examiner — Holly Baynham

(74) *Attorney, Agent, or Firm* — Warner Norcross & Judd LLP

(57) **CLAIM**

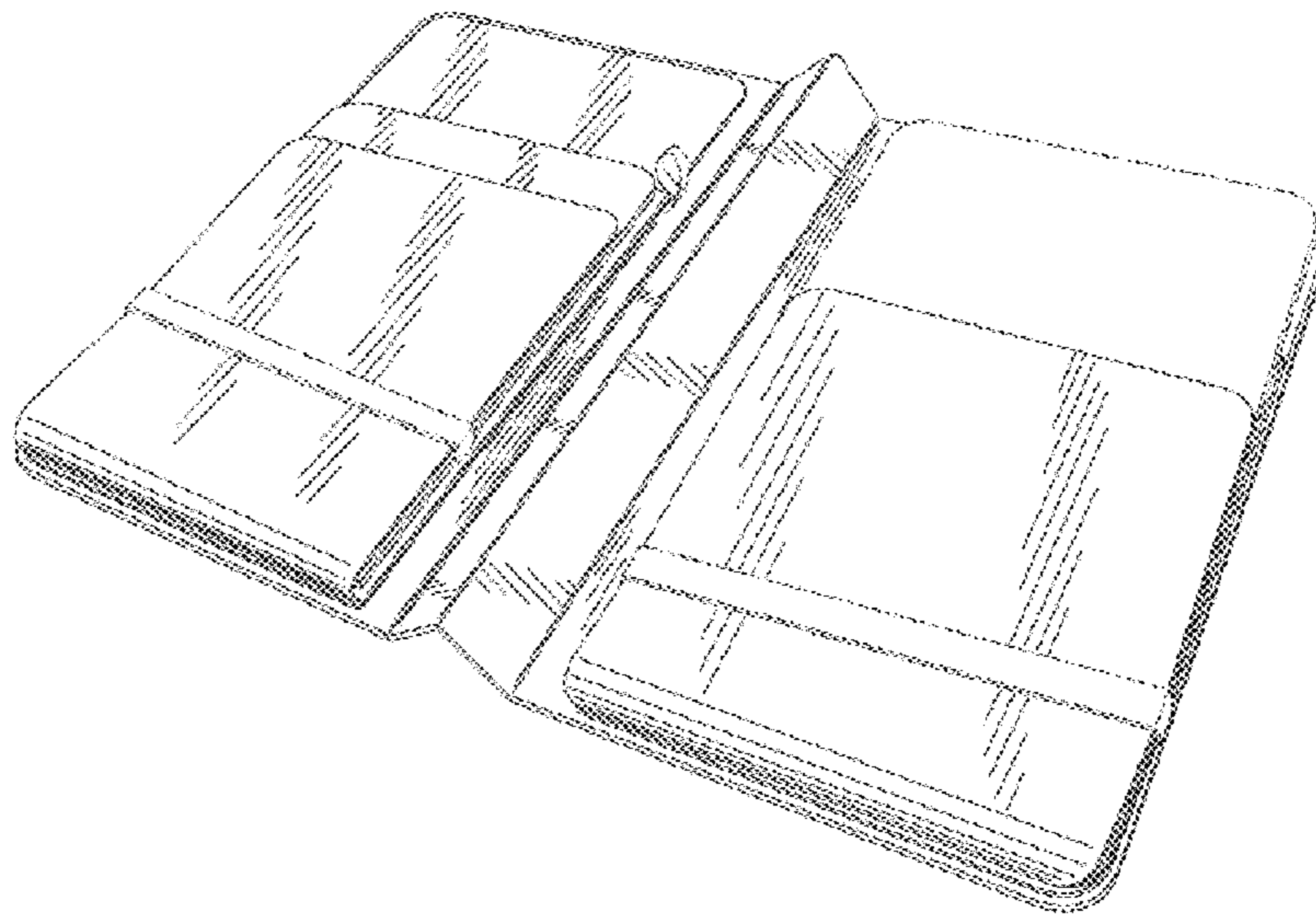
The ornamental design for a holder, as shown and described.

DESCRIPTION

FIG. 1 is a front perspective view of a holder in an open position;
 FIG. 2 is a front view thereof in the open position;
 FIG. 3 is a rear view thereof in the open position;
 FIG. 4 is a right side view of the holder;
 FIG. 5 is an enlarged partial right side view thereof showing a stack of index cards in broken lines held by a right page;
 FIG. 6 is a left side view of the holder;
 FIG. 7 is an enlarged partial left side view thereof;
 FIG. 8 is a top view of the holder in the open position;
 FIG. 9 is a bottom view thereof in the open position;
 FIG. 10 is a front perspective view of the holder in a partially open position depicting elevated left and right pages;
 FIG. 11 is an enlarged partial front perspective view of the left page of the holder in the partially open position; and,
 FIG. 12 is a front perspective view of the holder in a closed position.

FIGS. 1-12 show portions of the holder in broken lines. The broken lines showing a tab and straps are for the purposes of illustrating environment and form no part of the claimed design.

1 Claim, 9 Drawing Sheets



(56)

References Cited

U.S. PATENT DOCUMENTS

D266,202 S 9/1982 Berman
 D266,205 S 9/1982 Berman
 D268,224 S 3/1983 Huntebrinker et al.
 D270,265 S 8/1983 Kircher et al.
 D276,243 S 11/1984 Brucoli
 D288,263 S 2/1987 Pagano
 D290,375 S 6/1987 Nava
 D291,209 S 8/1987 Nava
 4,779,655 A 10/1988 Olson
 4,781,379 A 11/1988 Parks
 4,940,068 A 7/1990 Pokorny et al.
 D326,185 S 5/1992 Miscavage
 D331,483 S 12/1992 Travis et al.
 D335,028 S 4/1993 Berlin
 5,222,764 A 6/1993 Dyer
 D337,883 S 8/1993 Conner
 D343,862 S 2/1994 Wyant
 5,415,276 A 5/1995 Welton
 D366,146 S * 1/1996 Bertrand D3/249
 D372,359 S 8/1996 Tytula
 D372,495 S 8/1996 Godfrey et al.
 D384,499 S 10/1997 Gaestel
 D384,810 S 10/1997 Kopel
 D388,611 S 1/1998 Shaw
 D408,128 S 4/1999 Sheiner
 5,944,080 A 8/1999 Podwika
 D423,211 S 4/2000 Giliberti
 D423,572 S 4/2000 Tedaldi et al.
 D424,802 S 5/2000 Leslie
 D433,565 S 11/2000 Kojoori
 D440,253 S 4/2001 Wolff et al.
 6,230,878 B1 5/2001 Lehr
 D443,414 S 6/2001 Schimmel
 6,276,414 B1 8/2001 Bibb
 D450,924 S 11/2001 Leslie

D456,604 S * 5/2002 Plummer D3/233
 D467,071 S * 12/2002 Bodony et al. D3/233
 D492,483 S * 7/2004 Gildea D3/249
 D525,024 S 7/2006 Fridie et al.
 D527,898 S 9/2006 Tavone
 D549,283 S 8/2007 Bharna
 D553,350 S 10/2007 Dvorak
 7,380,666 B1 6/2008 Buckelew
 D590,016 S 4/2009 Weinstein
 D594,228 S 6/2009 McCormick
 D600,699 S 9/2009 Johnston et al.
 D610,612 S 2/2010 Rhee
 D611,249 S 3/2010 Uzelac
 D611,533 S 3/2010 Baker et al.
 D619,358 S 7/2010 Dillard
 D619,806 S * 7/2010 Franks D3/247
 D622,957 S 9/2010 Marshall
 D632,076 S 2/2011 Westrick
 D633,714 S 3/2011 Marshall
 D645,246 S 9/2011 Miller et al.
 8,016,173 B2 9/2011 Dvorak
 D667,628 S 9/2012 Nanda
 8,328,007 B1 12/2012 Duffy, Jr.
 D679,499 S 4/2013 Harris
 D681,949 S 5/2013 Kershenstein
 2006/0151077 A1 7/2006 Milford

OTHER PUBLICATIONS

Photos (2) of a "Great Ideas" note holder, known at least as of the filing date.
 Photos (3) of Mini Faux Leather Pad Folio, sold under the name of Staples, known at least as of the filing date.
 Photos (2) of a "holder" sold under the name of AT&T Universal Card, known at least as of the filing date.
 Photos (4) of Report Cover, Ref. 3450-11, sold under the name of Bantex A.S. Denmark, known at least as of the filing date.

* cited by examiner

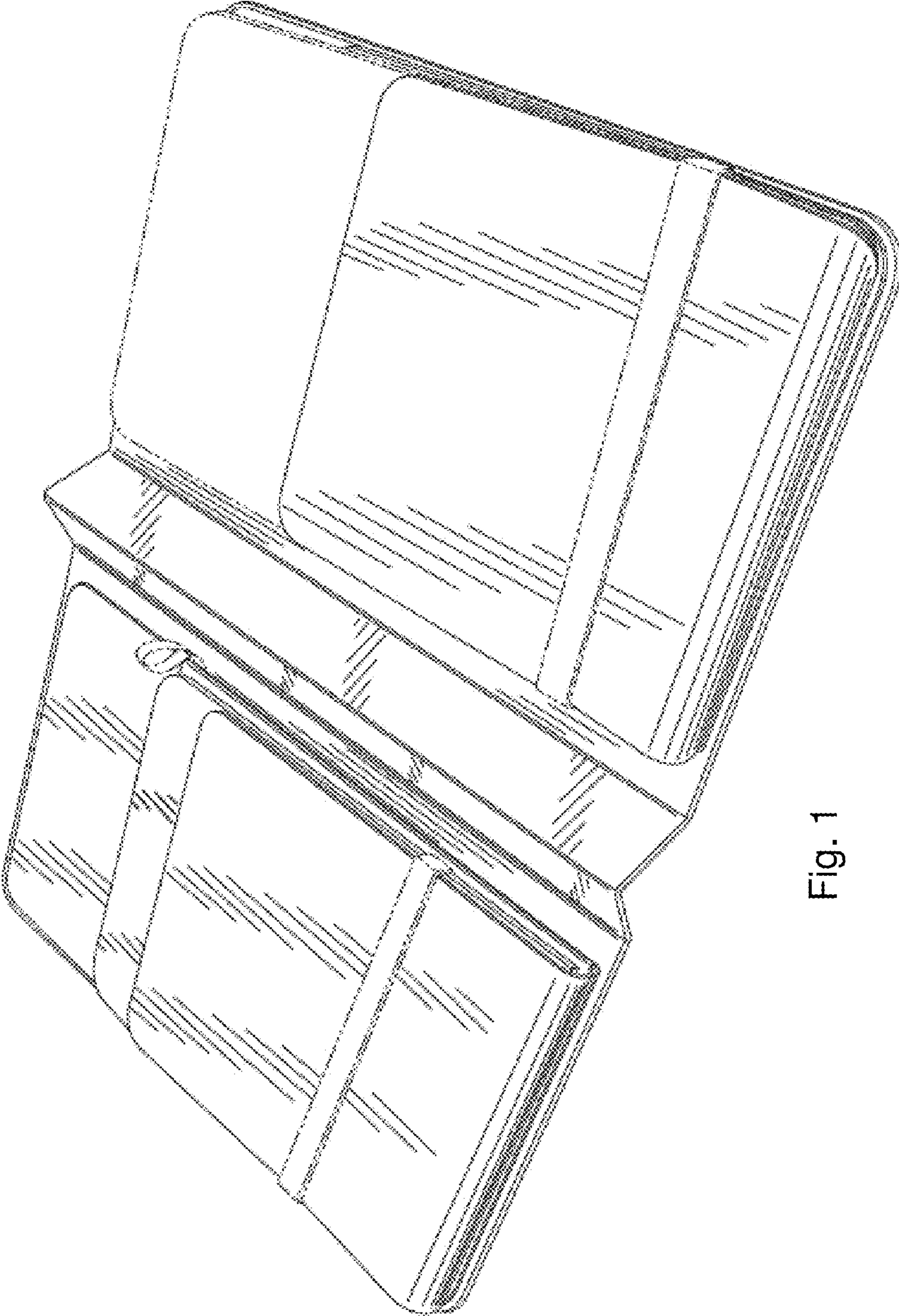


Fig. 1

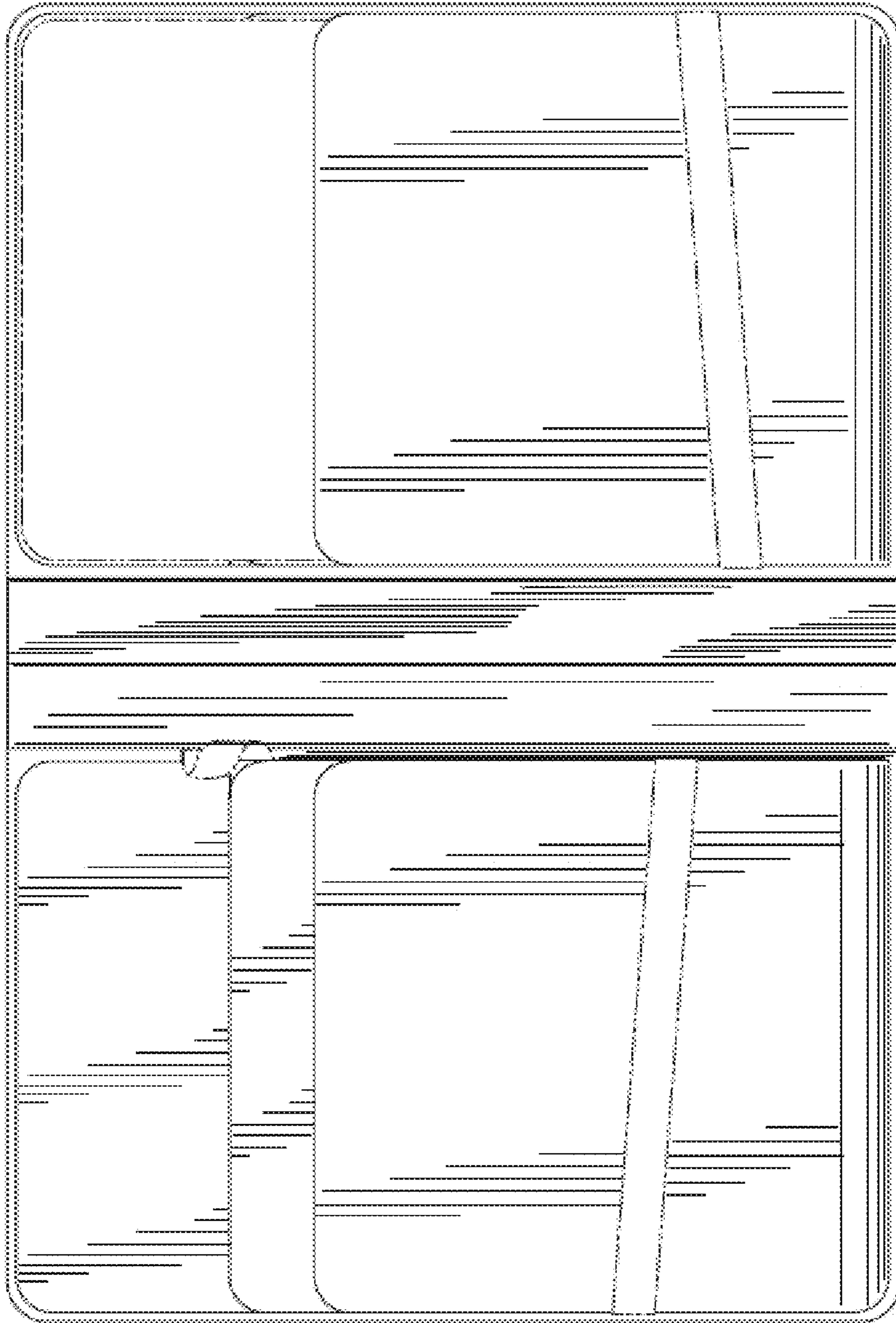


Fig. 2



Fig. 3

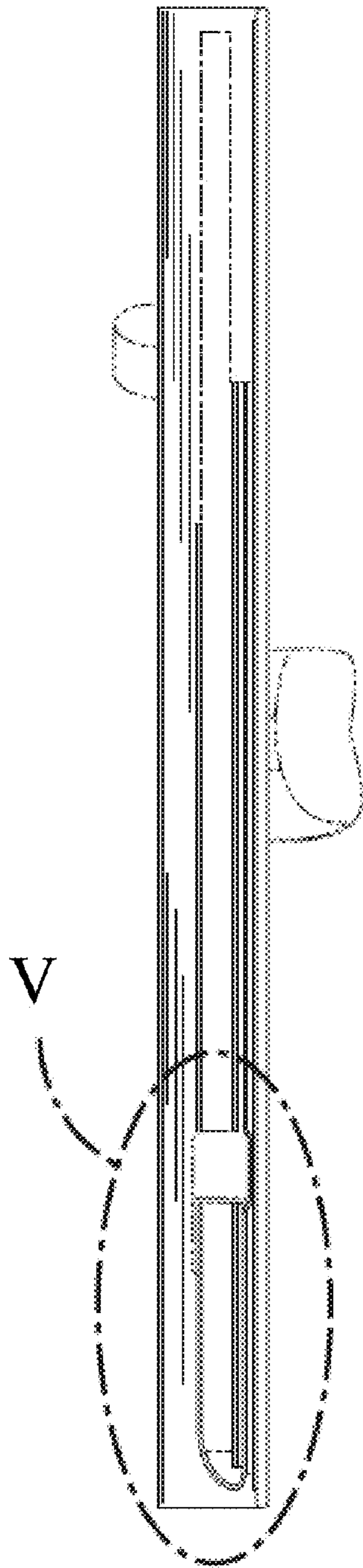


Fig. 4

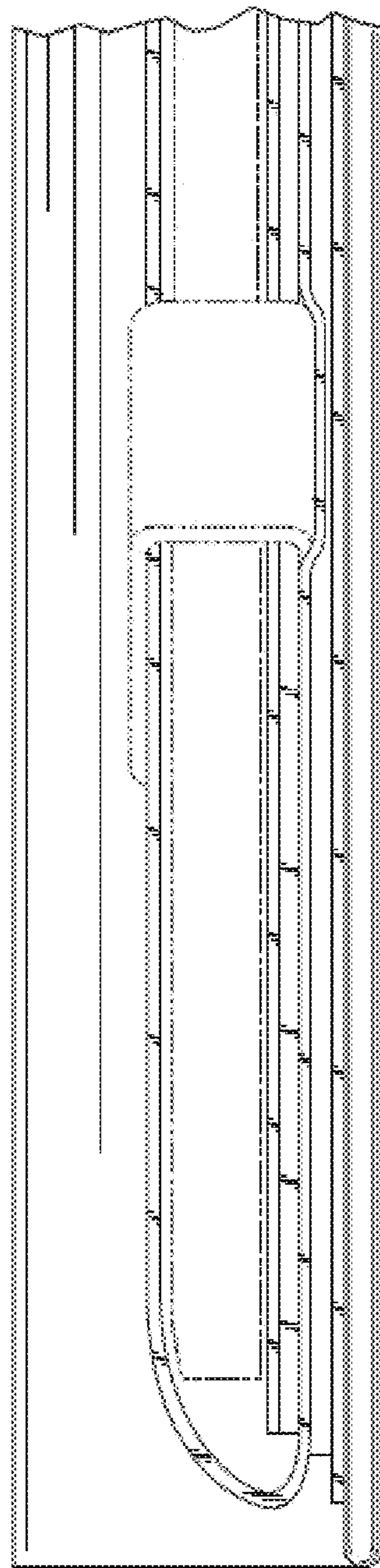


Fig. 5

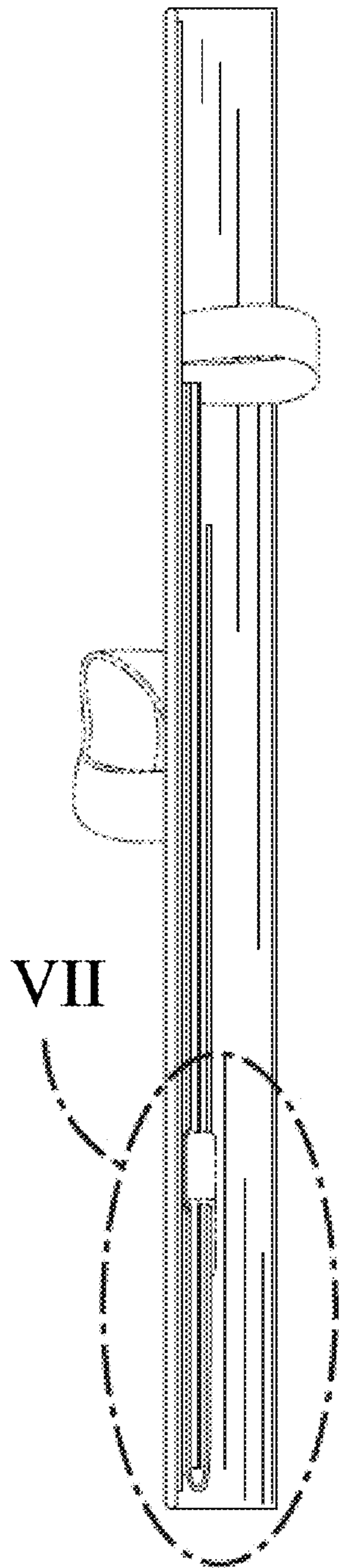


Fig. 6

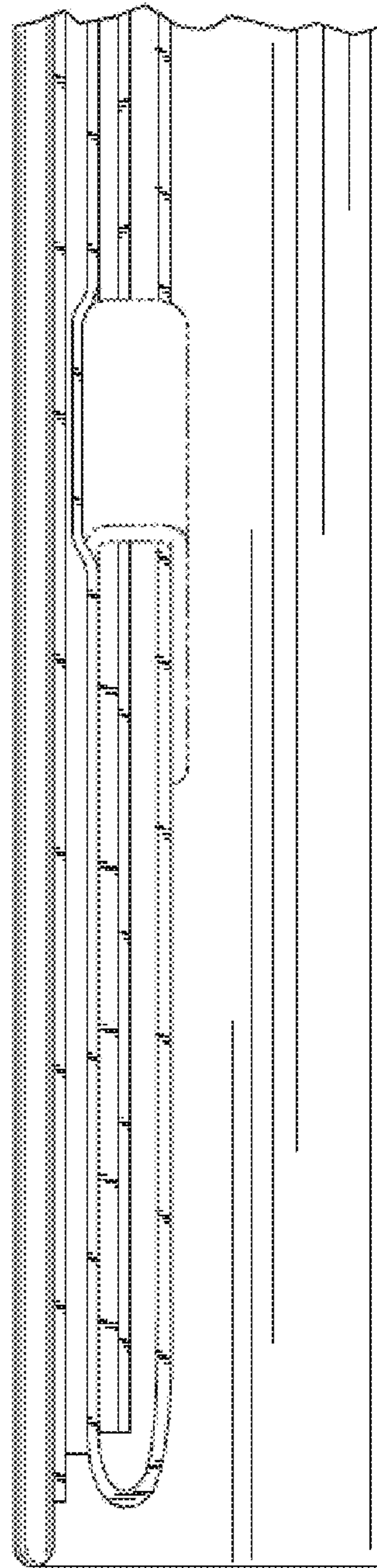


Fig. 7

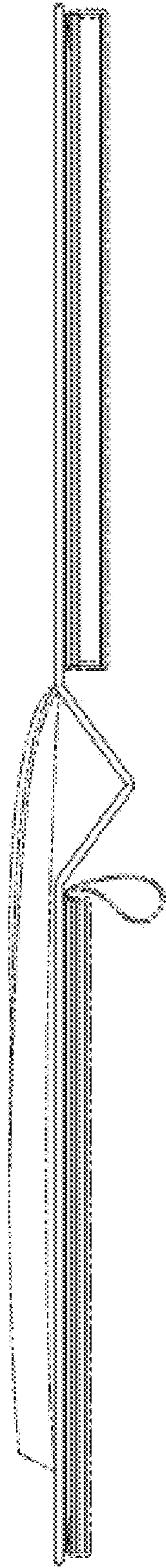


Fig. 8

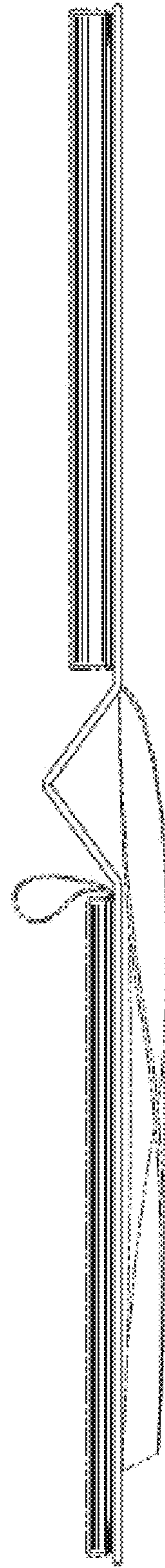


Fig. 9

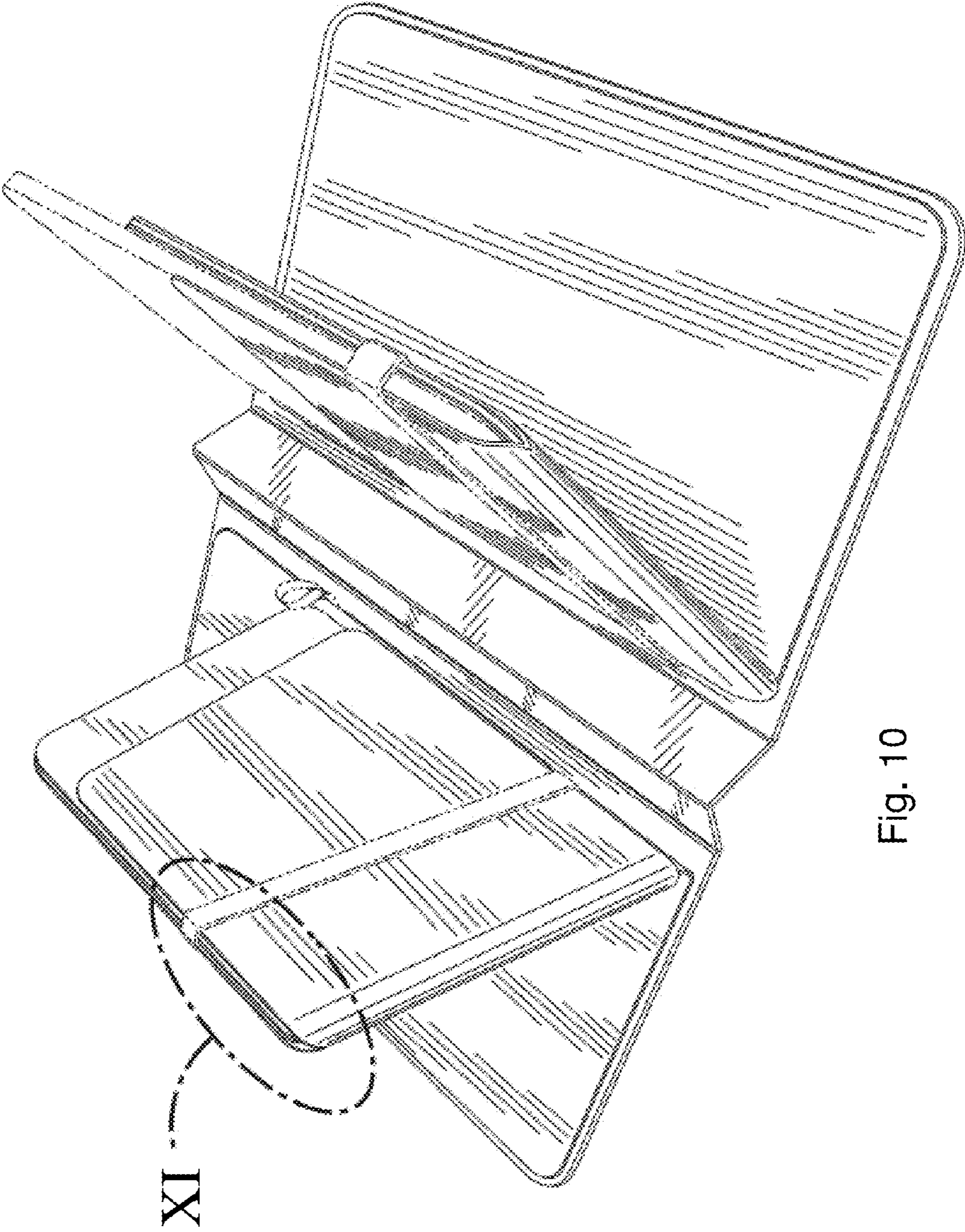


Fig. 10

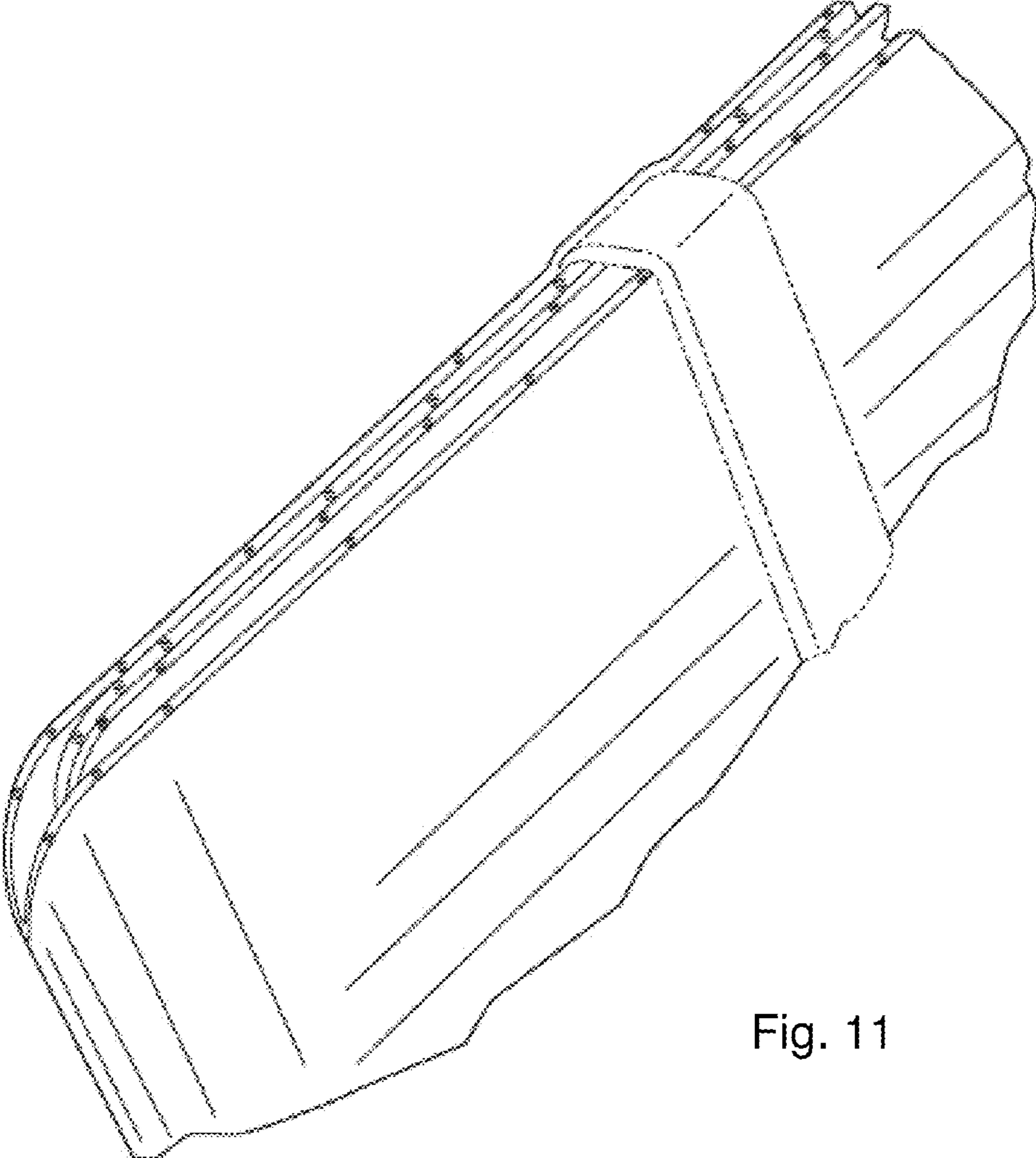


Fig. 11

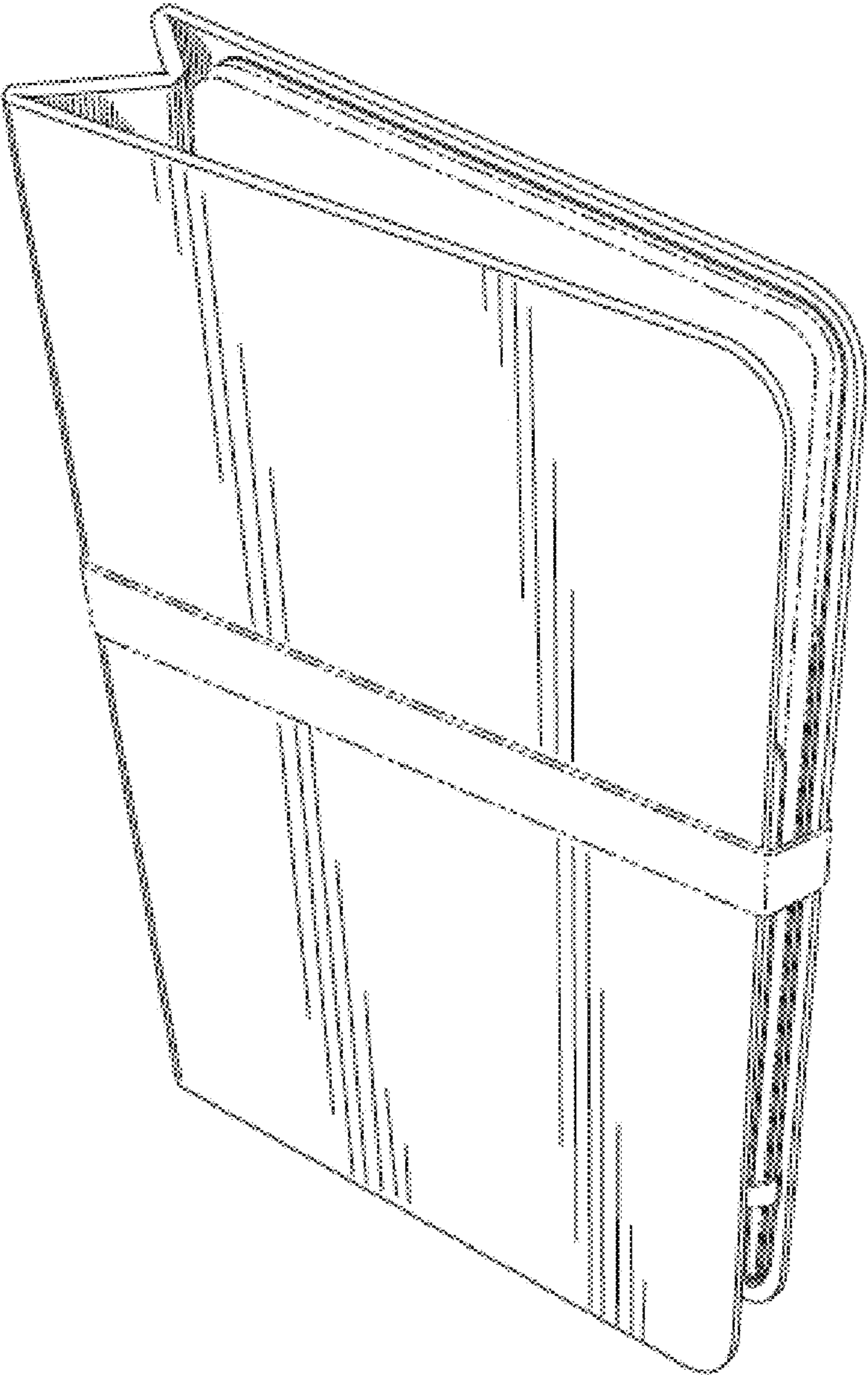


Fig. 12