



US00D730046S

(12) **United States Design Patent**  
**Koutsolioutsos**

(10) **Patent No.:** **US D730,046 S**

(45) **Date of Patent:** **\*\* May 26, 2015**

(54) **PURSE**

(71) Applicant: **FOLLI-FOLLIE COMMERCIAL  
MANUFACTURING AND  
TECHNICAL SOCIETE ANONYME,**  
Athens (GR)

(72) Inventor: **Dimitrios Koutsolioutsos,** Athens (GR)

(73) Assignee: **FOLLI-FOLLIE COMMERCIAL  
MANUFACTURING AND  
TECHNICAL SOCIETE ANONYME,**  
Athens (GR)

(\*\*) Term: **14 Years**

(21) Appl. No.: **29/485,582**

(22) Filed: **Mar. 20, 2014**

(30) **Foreign Application Priority Data**

Sep. 24, 2013 (GR) ..... 20130600150

(51) **LOC (10) Cl.** ..... **03-01**

(52) **U.S. Cl.**  
USPC ..... **D3/245**

(58) **Field of Classification Search**  
CPC ..... A45C 1/024; A45C 3/06  
USPC ..... D3/232–233, 240–243, 245–246  
See application file for complete search history.

(56) **References Cited**

**U.S. PATENT DOCUMENTS**

D14,168 S \* 8/1883 Lambert ..... D3/240  
D16,608 S \* 4/1886 Buchanan ..... D3/240

D104,073 S \* 4/1937 Lewis ..... D3/241  
D107,892 S \* 1/1938 Felmann ..... D3/241  
D515,809 S \* 2/2006 Perella et al. .... D3/273  
D582,666 S \* 12/2008 Javits, Jr. .... D3/232  
D596,849 S \* 7/2009 Billauer ..... D3/232  
D607,201 S \* 1/2010 Gonzalez ..... D3/232  
D631,653 S \* 2/2011 Brown ..... D3/232  
D682,547 S \* 5/2013 Della Valle et al. .... D3/245  
D684,361 S \* 6/2013 Chiozzi et al. .... D3/245

\* cited by examiner

*Primary Examiner* — Holly Baynham

(74) *Attorney, Agent, or Firm* — Fredrikson & Byron, P.A.

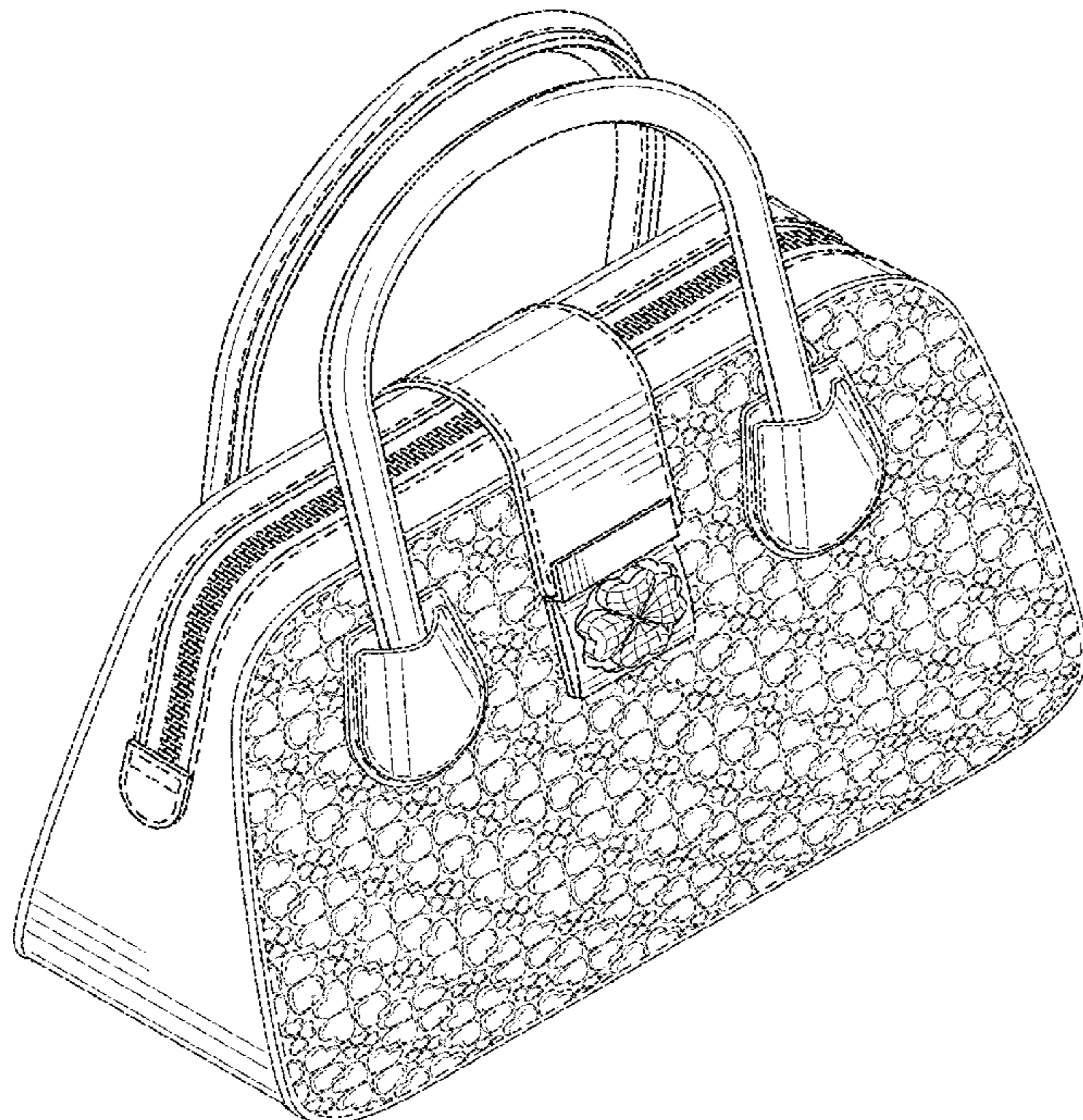
(57) **CLAIM**

I claim the ornamental design for a purse, as shown and described.

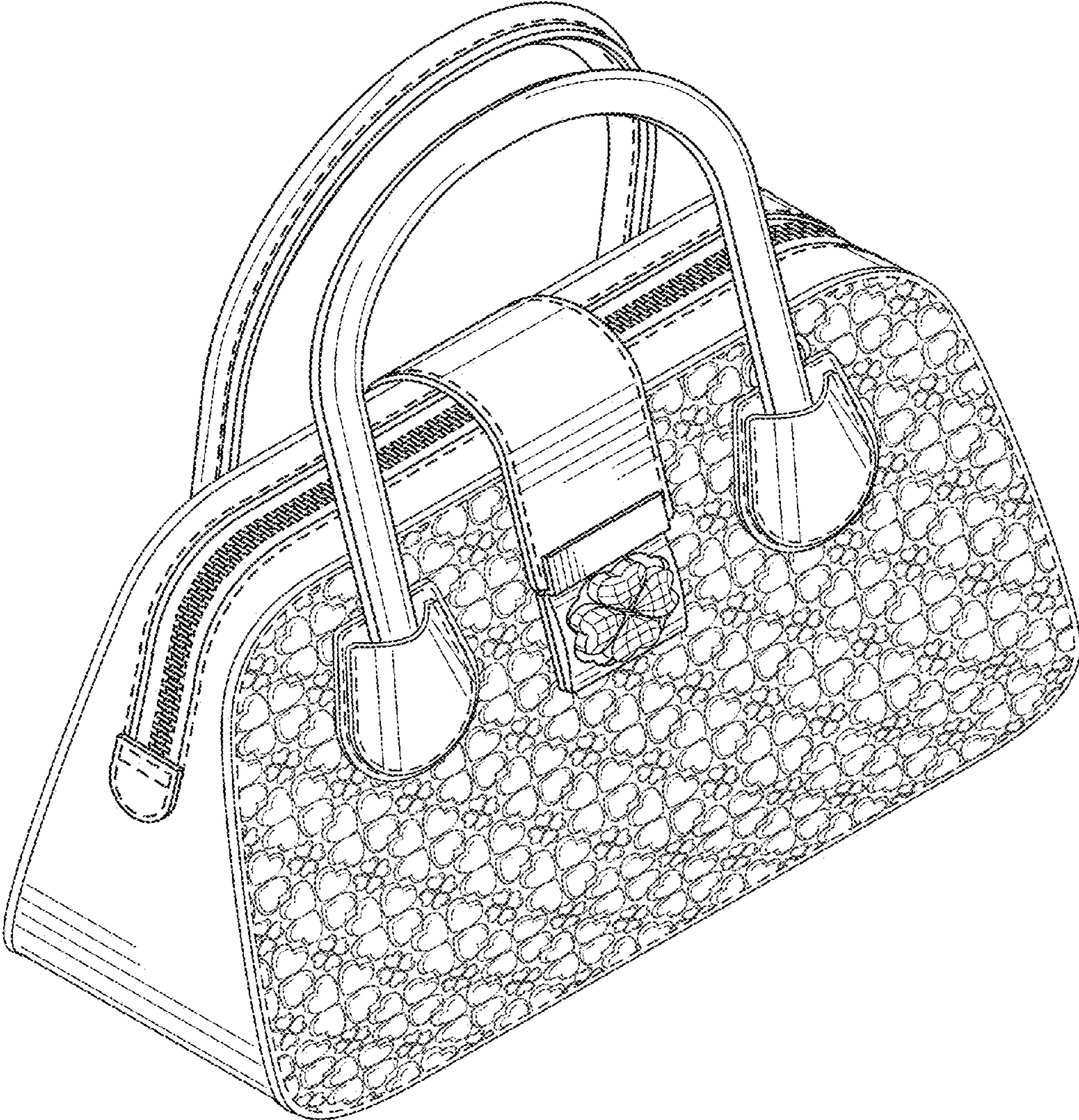
**DESCRIPTION**

FIG. 1 is a perspective view of a purse incorporating my new design;  
FIG. 2 is a front elevational view thereof,  
FIG. 3 is a right side view thereof;  
FIG. 4 is a rear elevational view thereof;  
FIG. 5 is a left side view thereof;  
FIG. 6 is a top plan view thereof; and,  
FIG. 7 is a bottom plan view thereof.  
The broken lines representing stitching are part of the claimed design.

**1 Claim, 6 Drawing Sheets**



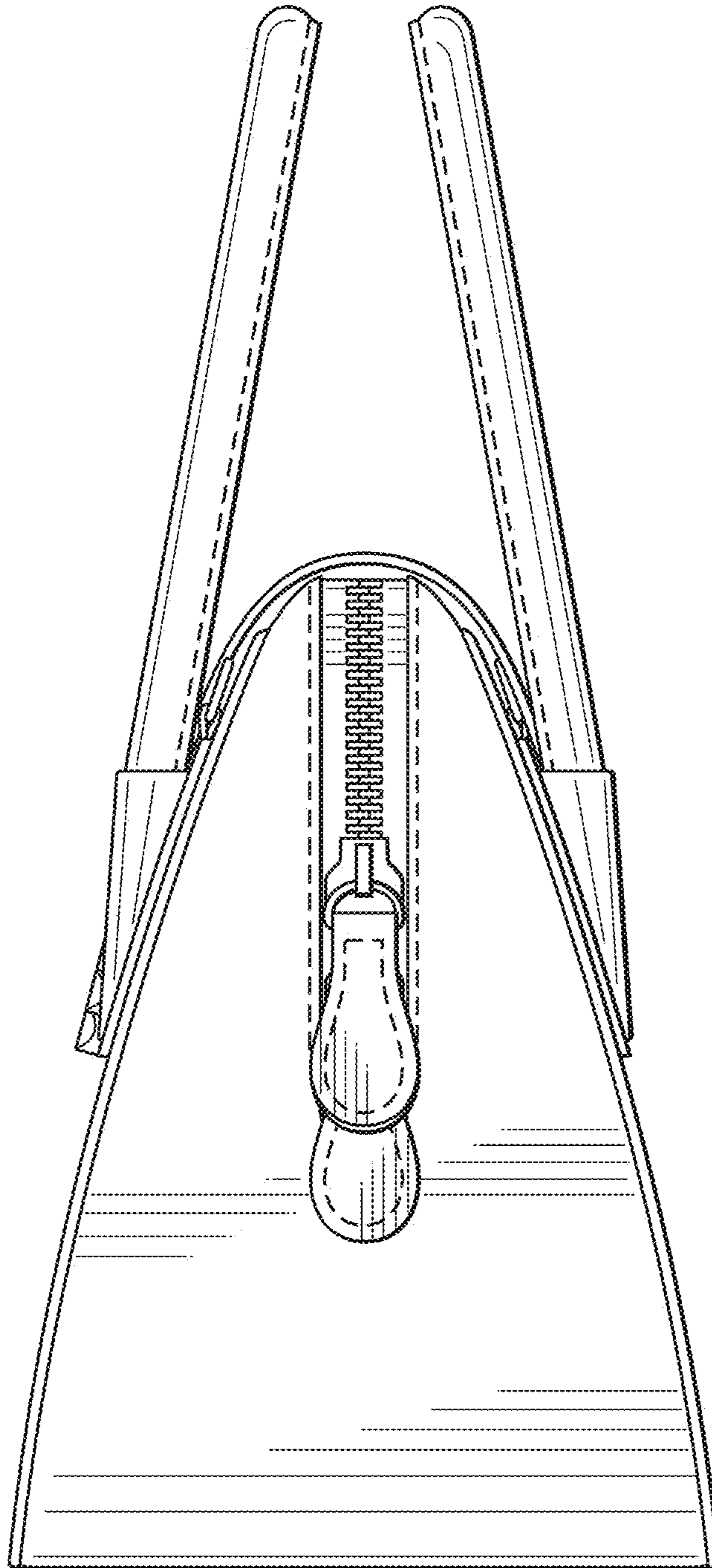
*Fig. 1*



*Fig. 2*



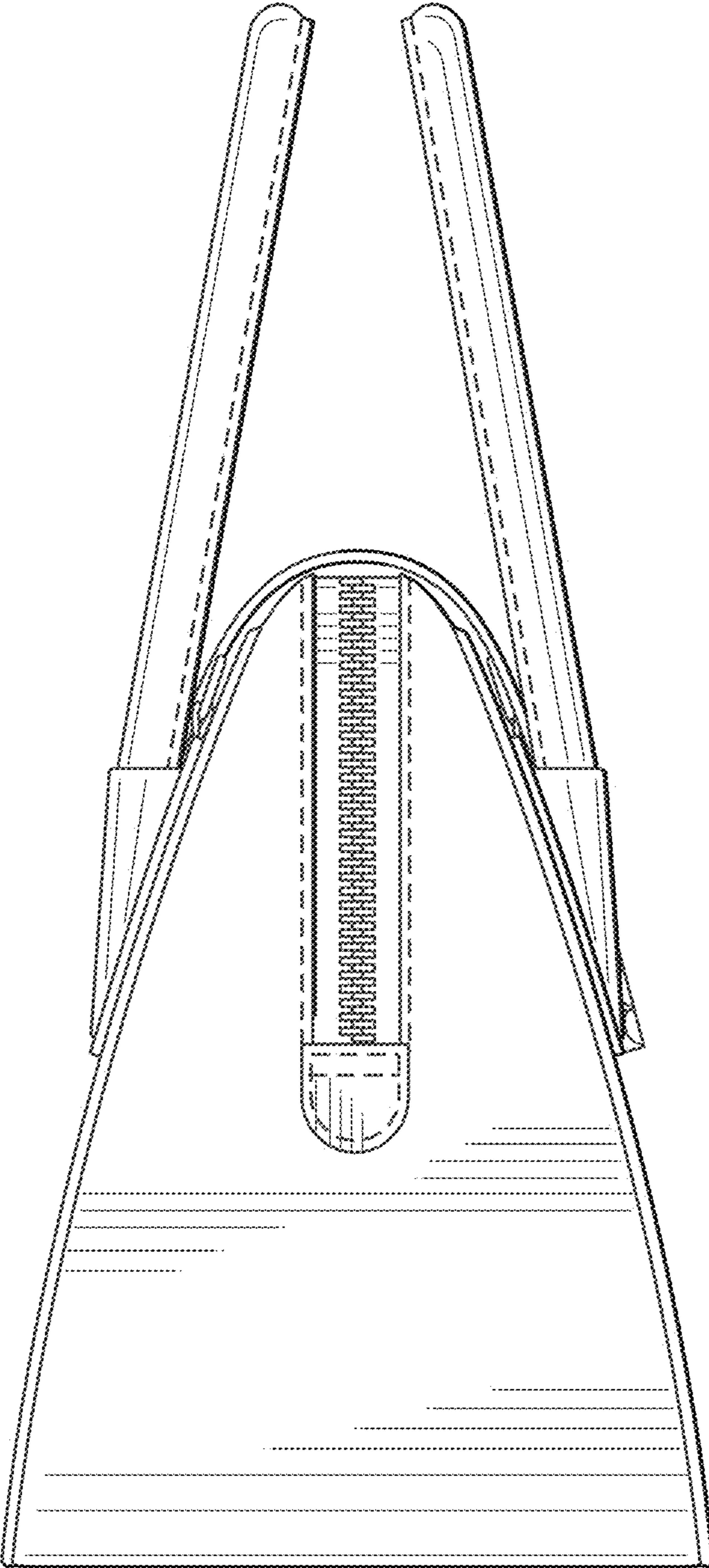
**Fig. 3**



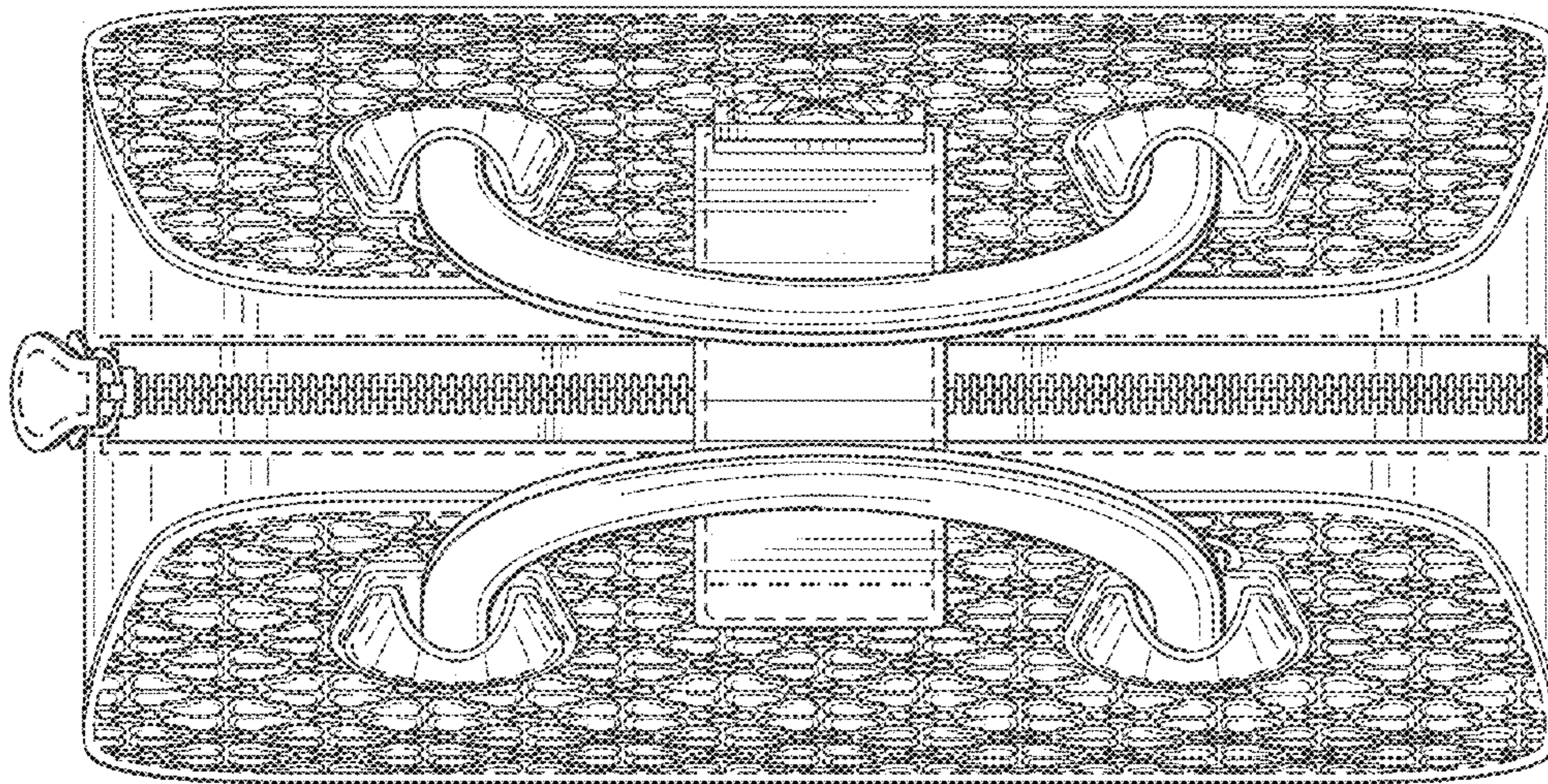
*Fig. 4*



**Fig. 5**



*Fig. 6*



*Fig. 7*

