



US00D730043S

(12) **United States Design Patent**  
**Morelli**

(10) **Patent No.:** **US D730,043 S**

(45) **Date of Patent:** **\*\* May 26, 2015**

(54) **HANDBAG**

(71) Applicant: **Giovanni Morelli**, Milan (IT)

(72) Inventor: **Giovanni Morelli**, Milan (IT)

(73) Assignee: **Chloe S.A.S.**, Paris (FR)

(\*\*) Term: **14 Years**

(21) Appl. No.: **29/476,830**

(22) Filed: **Dec. 17, 2013**

(51) **LOC (10) Cl.** ..... **03-01**

(52) **U.S. Cl.**  
USPC ..... **D3/245**

(58) **Field of Classification Search**  
CPC ..... A45C 1/024; A45C 3/06  
USPC ..... D3/232-233, 240-243, 245-246  
See application file for complete search history.

(56) **References Cited**

**U.S. PATENT DOCUMENTS**

D536,523 S *	2/2007	Guyon	.....	D3/233
D564,223 S *	3/2008	Messineo	.....	D3/243
D603,607 S *	11/2009	Morelli	.....	D3/245
D660,586 S *	5/2012	Maramotti	.....	D3/232
D679,905 S *	4/2013	Shakouri	.....	D3/243
D691,798 S *	10/2013	Venturini Fendi	.....	D3/232

\* cited by examiner

*Primary Examiner* — Holly Baynham

(74) *Attorney, Agent, or Firm* — Fross Zelnick Lehrman & Zissu, P.C.; Lawrence E. Apozlon, Esq.

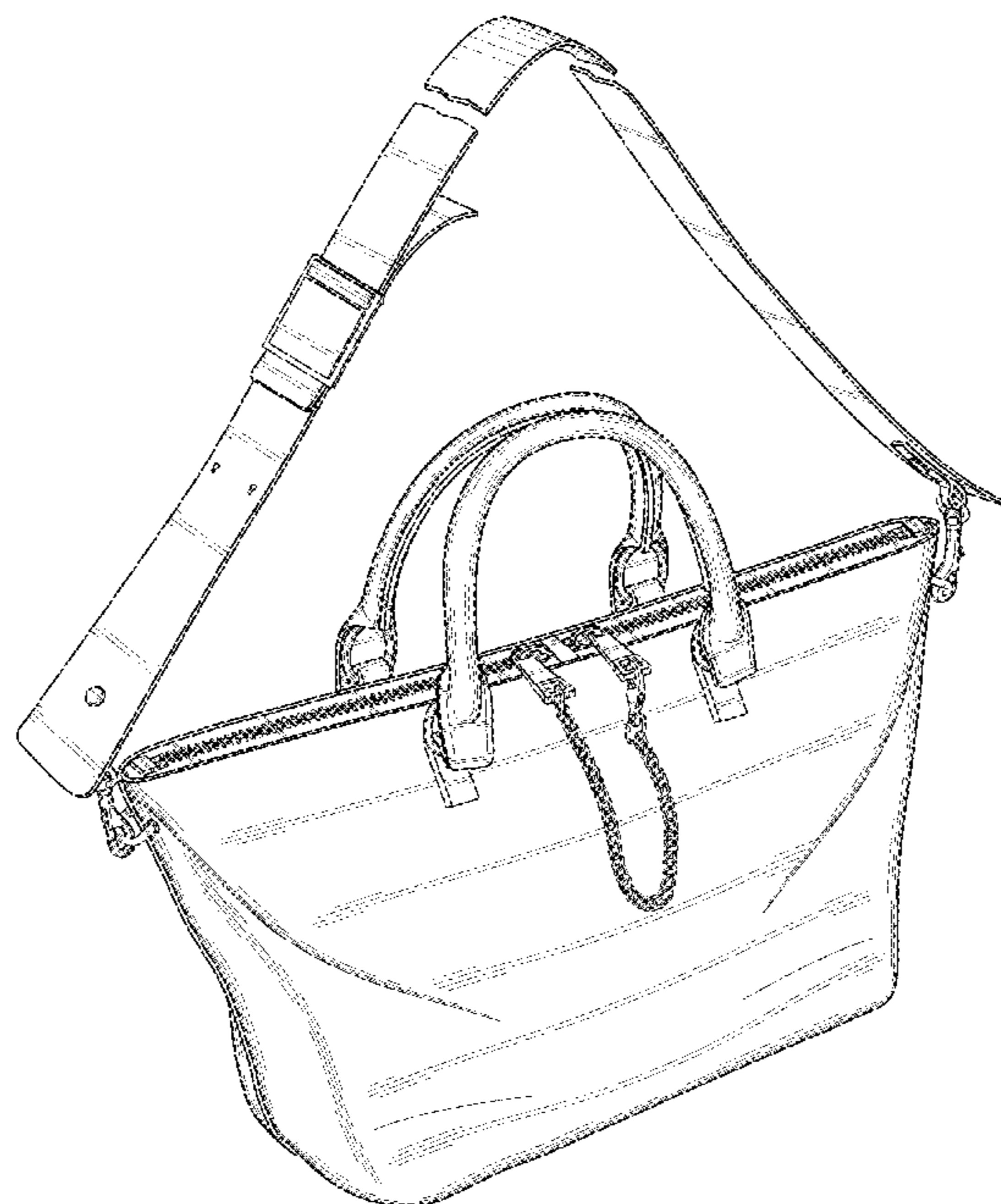
(57) **CLAIM**

The ornamental design for a handbag, as shown and described.

**DESCRIPTION**

FIG. 1 is a front perspective view of a handbag showing my new design;  
 FIG. 2 is a front view of the handbag shown in FIG. 1;  
 FIG. 3 is a back view of the handbag shown in FIG. 1;  
 FIG. 4 is a right side view of the handbag shown in FIG. 1;  
 FIG. 5 is a left side view of the handbag shown in FIG. 1;  
 FIG. 6 is a top view of the handbag shown in FIG. 1;  
 FIG. 7 is a bottom view of the handbag shown in FIG. 1; ps  
 FIG. 8 is a front view of the handbag shown in FIG. 1, with the strap shown in a different position;  
 FIG. 9 is a front perspective view of an alternative embodiment of the handbag shown in FIG. 1;  
 FIG. 10 is a front view of the handbag shown in FIG. 9;  
 FIG. 11 is a back view of the handbag shown in FIG. 9;  
 FIG. 12 is a right side view of the handbag shown in FIG. 9;  
 FIG. 13 is a left side view of the handbag shown in FIG. 9;  
 FIG. 14 is a top view of the handbag shown in FIG. 9;  
 FIG. 15 is a bottom view of the handbag shown in FIG. 9; and,  
 FIG. 16 is a front view of the handbag shown in FIG. 9, with the strap shown in a different position.  
 The stippling shown in FIGS. 9-16 indicates contrast in appearance.

**1 Claim, 12 Drawing Sheets**



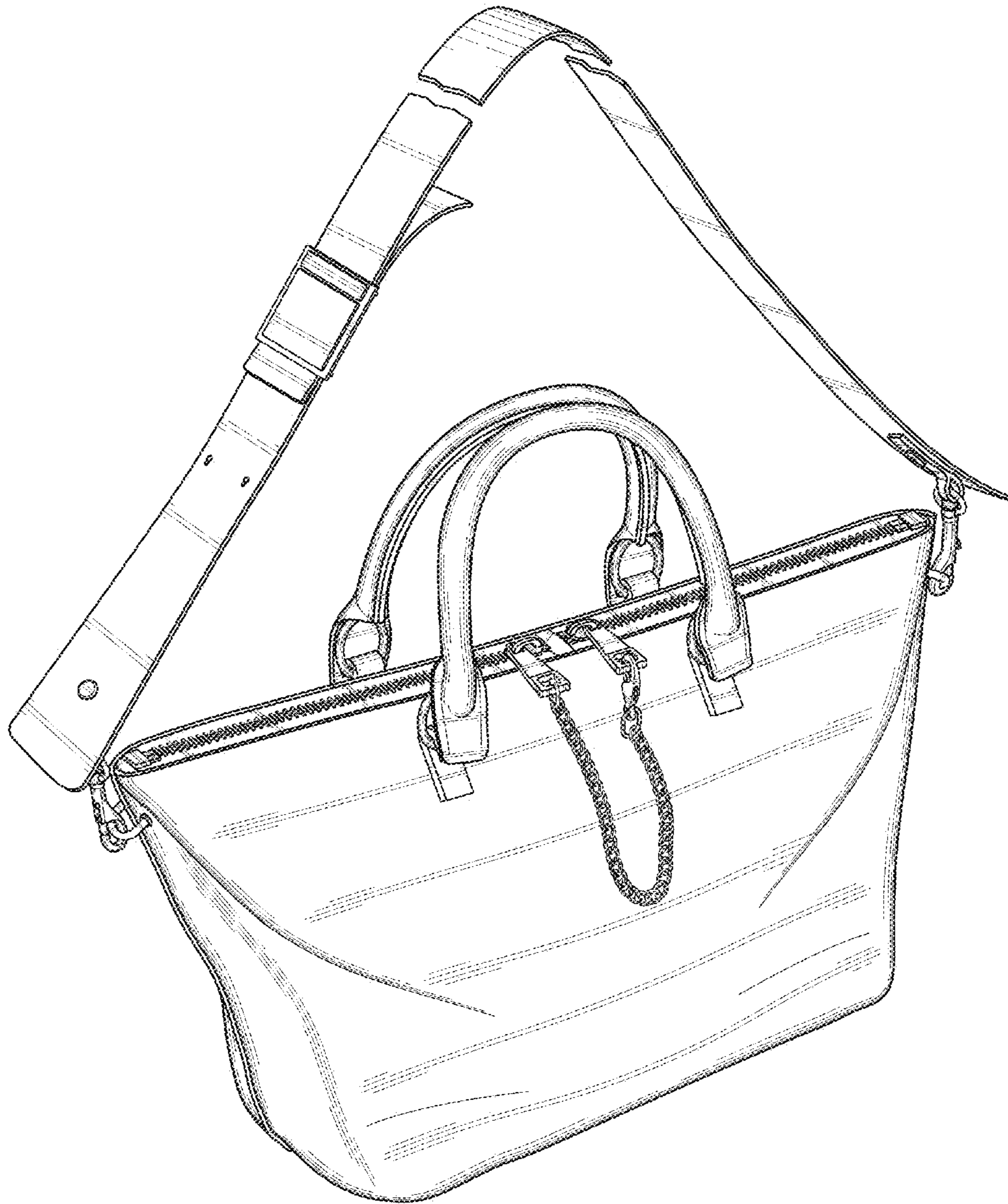


FIG. 1



FIG. 2





FIG. 3

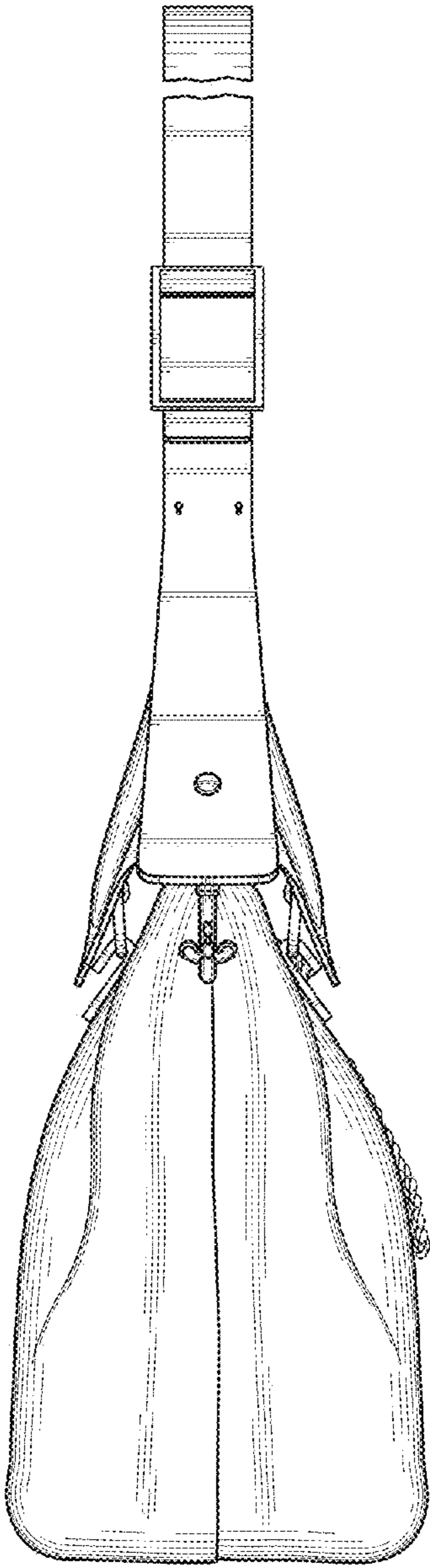


FIG. 4

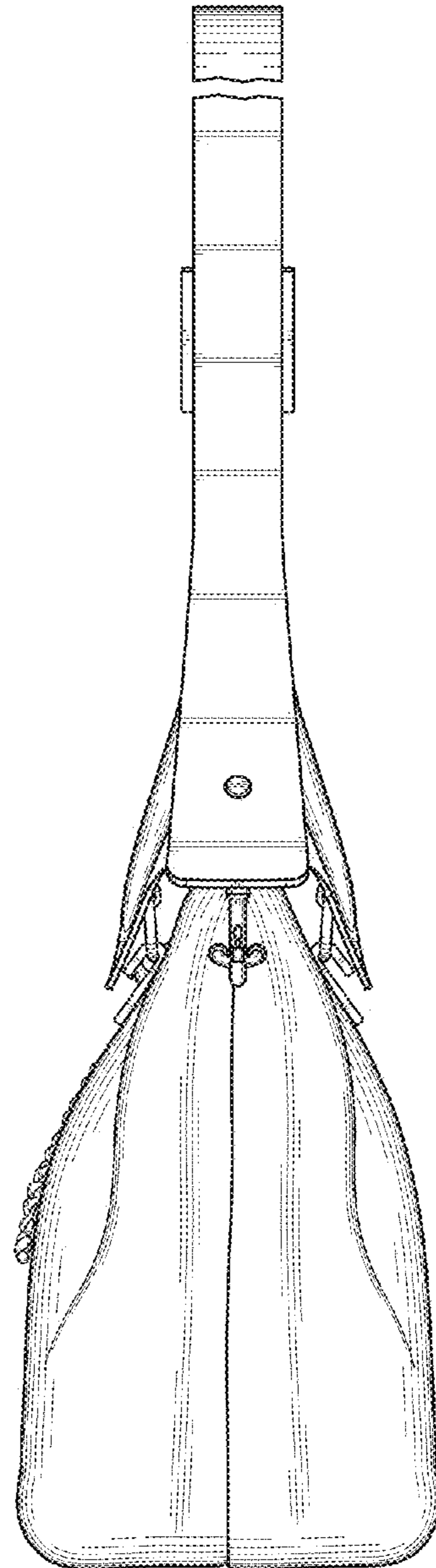


FIG. 5

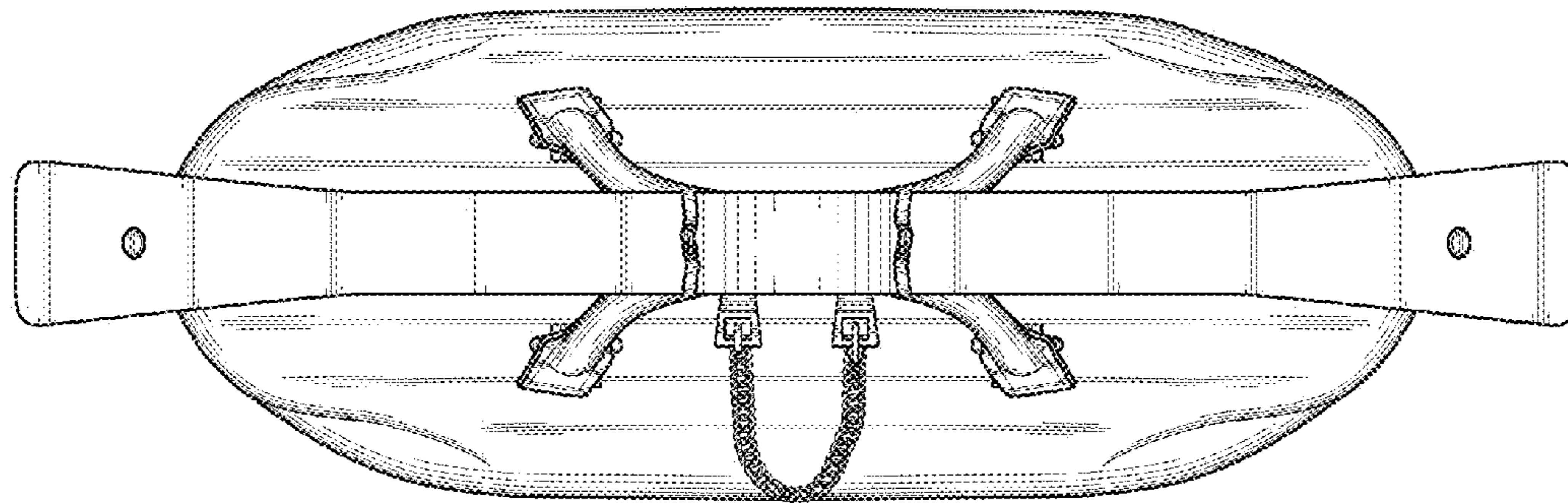


FIG. 6

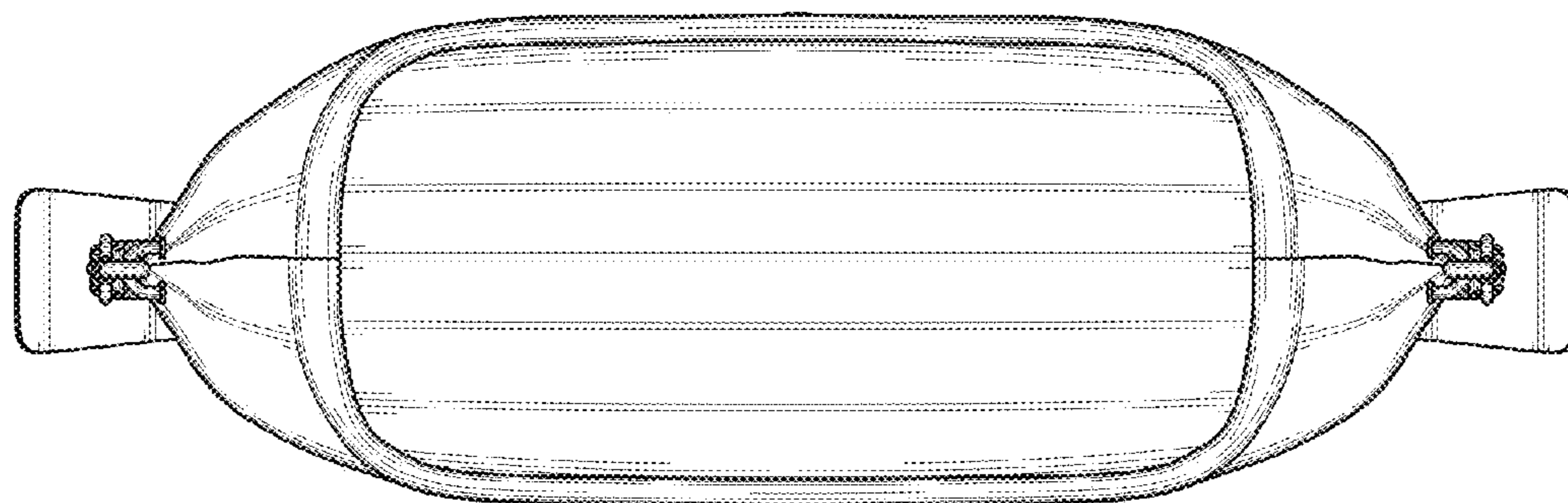


FIG. 7



FIG. 8



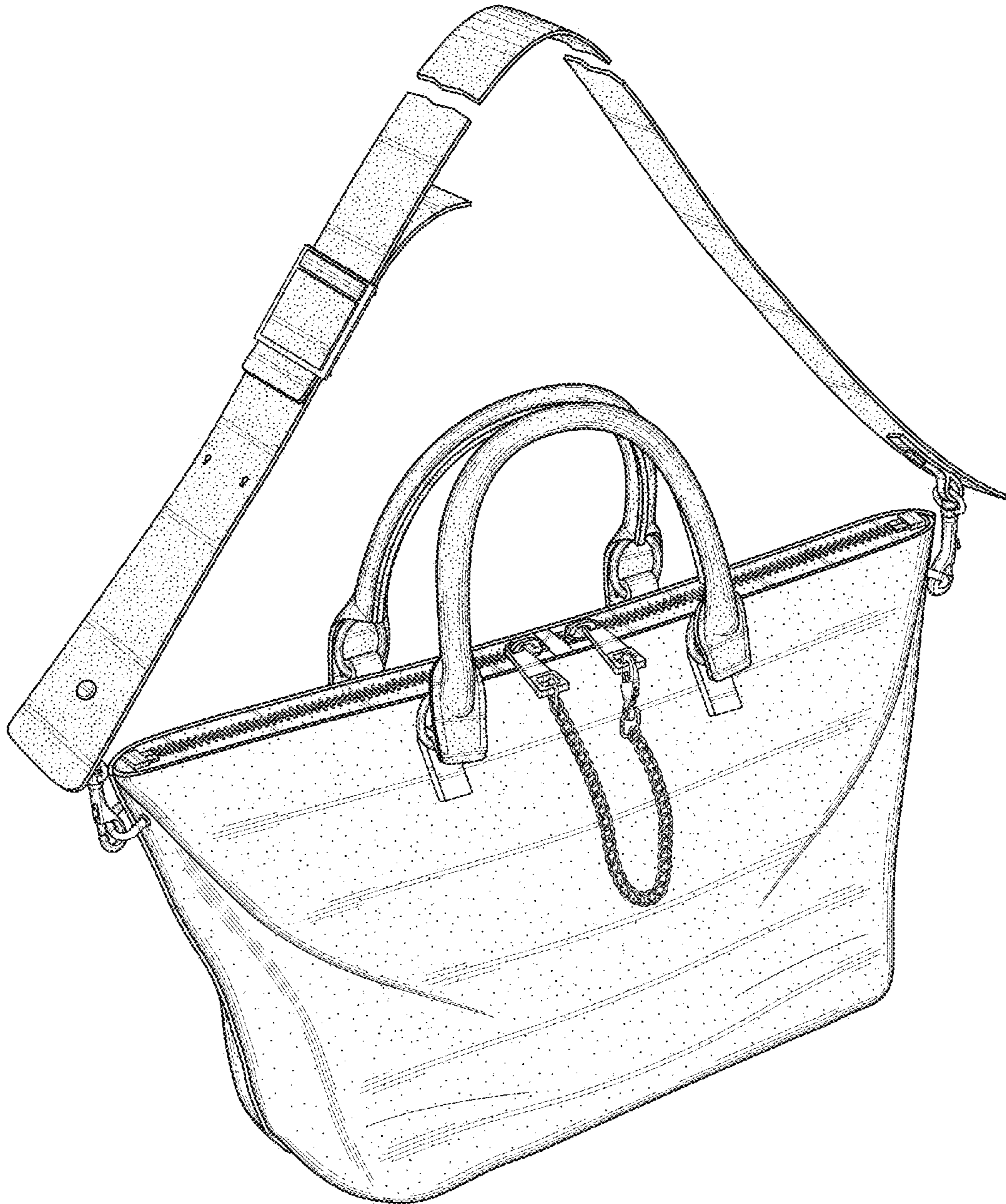


FIG. 9





FIG. 10



FIG. 11

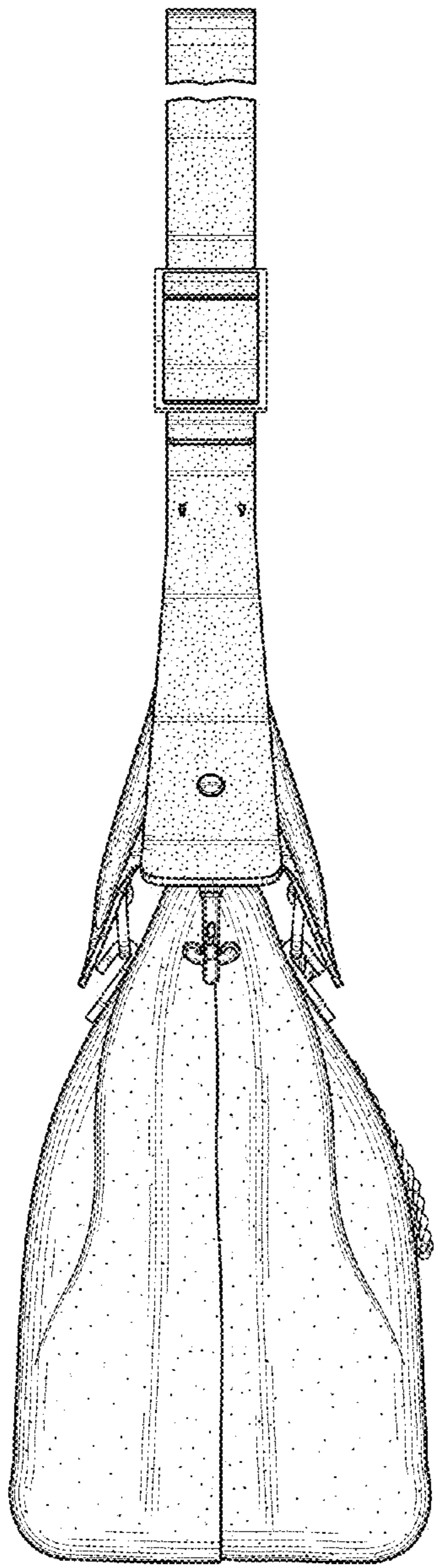


FIG. 12

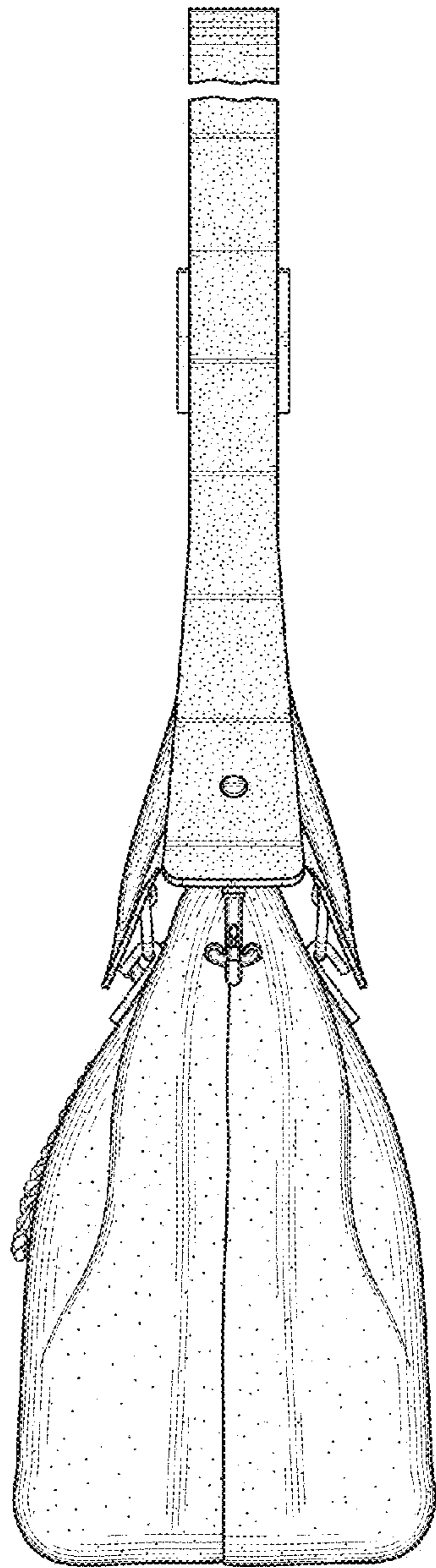


FIG. 13



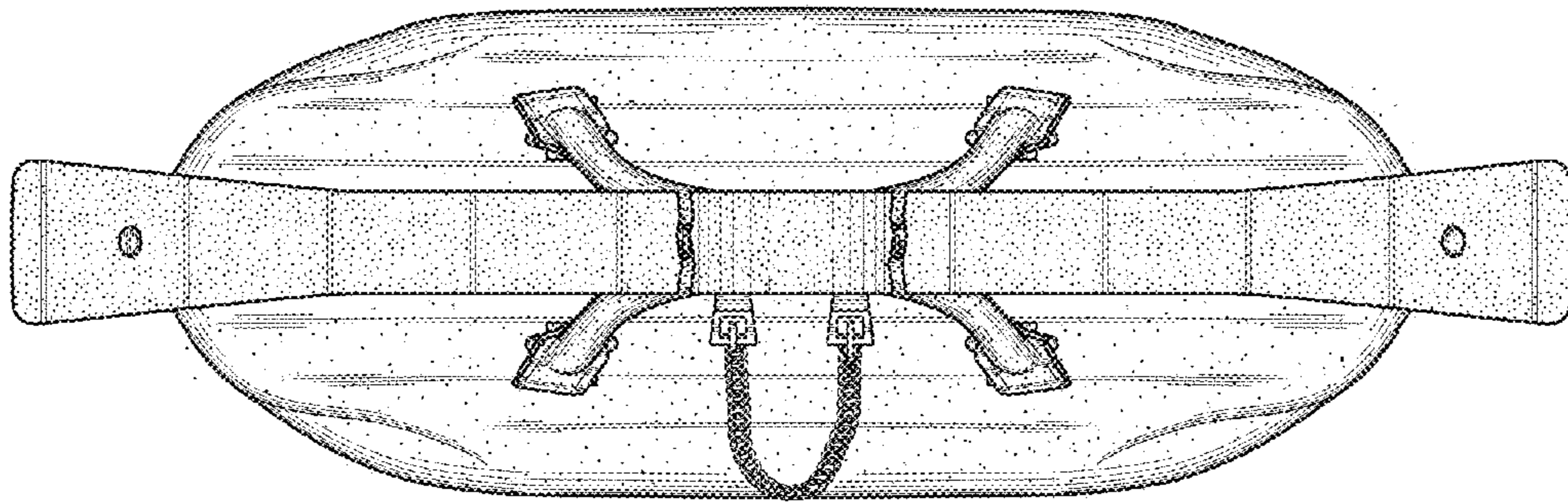


FIG. 14

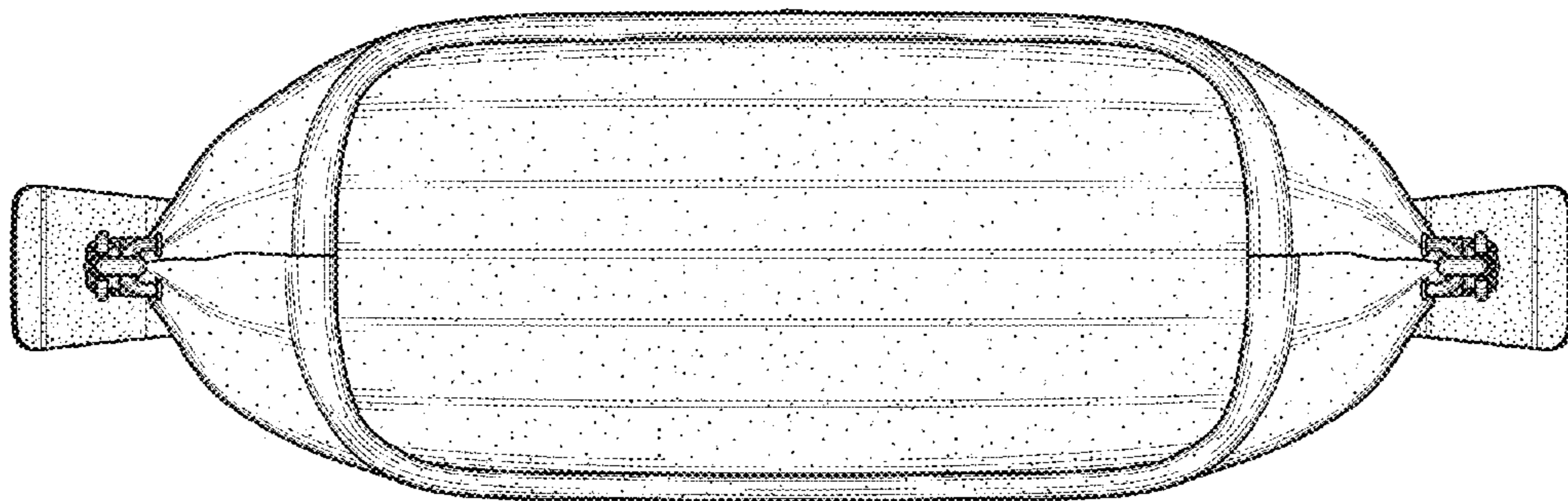


FIG. 15



FIG. 16