

US00D730042S

(12) **United States Design Patent**
Slimane

(10) **Patent No.:** **US D730,042 S**

(45) **Date of Patent:** **** May 26, 2015**

(54) **CLUTCH**

(71) Applicant: **YVES SAINT LAURENT**, Paris (FR)

(72) Inventor: **Hedi Slimane**, West Hollywood, CA
(US)

(73) Assignee: **YVES SAINT LAURENT**, Paris (FR)

(**) Term: **14 Years**

(21) Appl. No.: **29/478,074**

(22) Filed: **Dec. 31, 2013**

(51) **LOC (10) Cl.** **03-01**

(52) **U.S. Cl.**
USPC **D3/243**

(58) **Field of Classification Search**
CPC A45C 1/024; A45C 3/06
USPC D3/232-233, 240-243, 245-246
See application file for complete search history.

(56) **References Cited**

U.S. PATENT DOCUMENTS

D173,931 S *	2/1955	Blenen	D3/242
D525,784 S *	8/2006	Handley	D3/243
D684,765 S *	6/2013	Nannestad	D3/232
D690,097 S *	9/2013	Phillips et al.	D3/232
D690,506 S *	10/2013	Kuster et al.	D3/232

* cited by examiner

Primary Examiner — Holly Baynham

(74) *Attorney, Agent, or Firm* — Donald J. Ranft; Kristen A. Mogavero; Collen IP

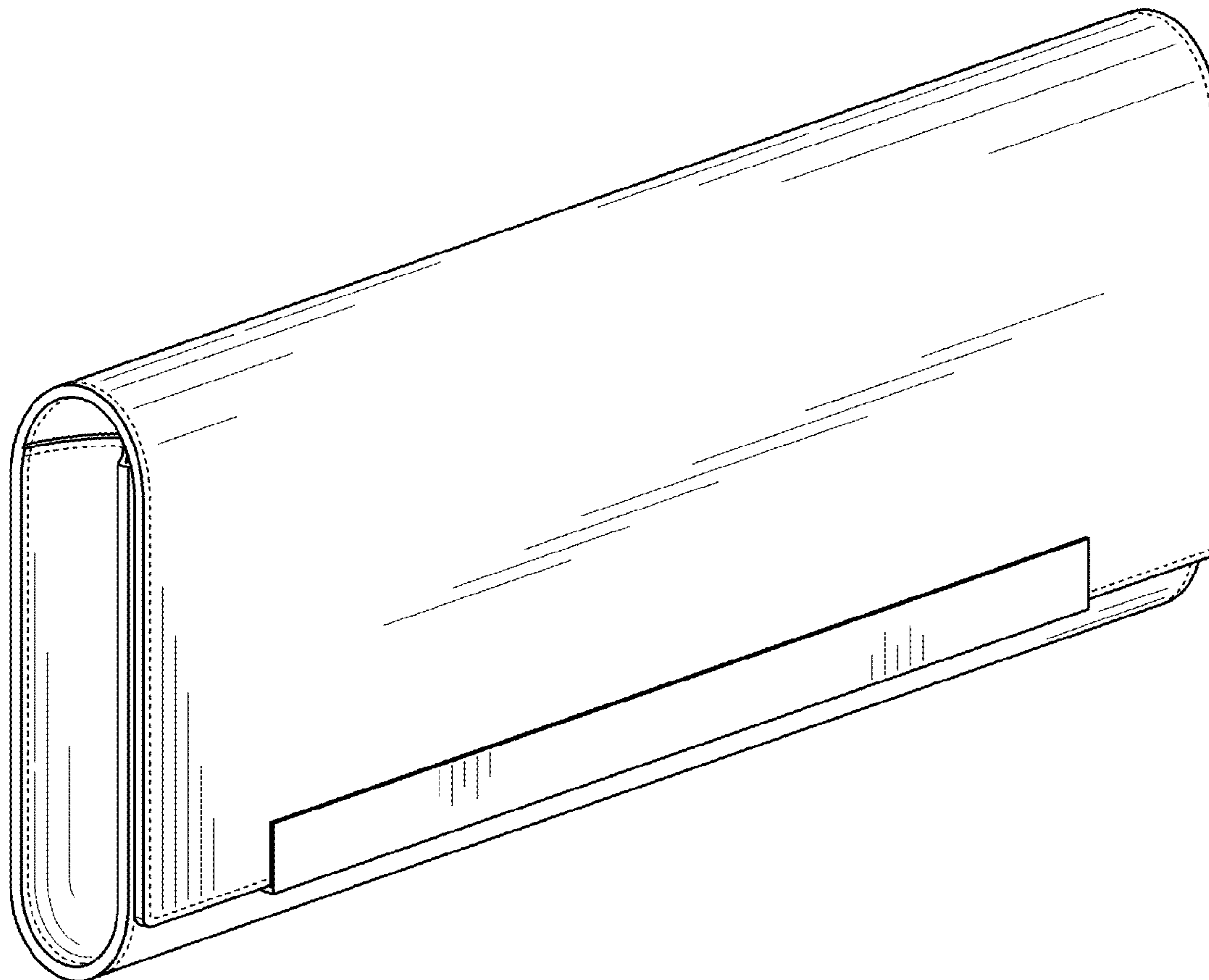
(57) **CLAIM**

The ornamental design for a clutch, as shown.

DESCRIPTION

FIG. 1 is a front left perspective view of a clutch showing my new design;
FIG. 2 is a front view thereof;
FIG. 3 is a rear view thereof;
FIG. 4 is a right side view thereof;
FIG. 5 is a left side view thereof;
FIG. 6 is a top view thereof; and,
FIG. 7 is a bottom view thereof.

1 Claim, 3 Drawing Sheets



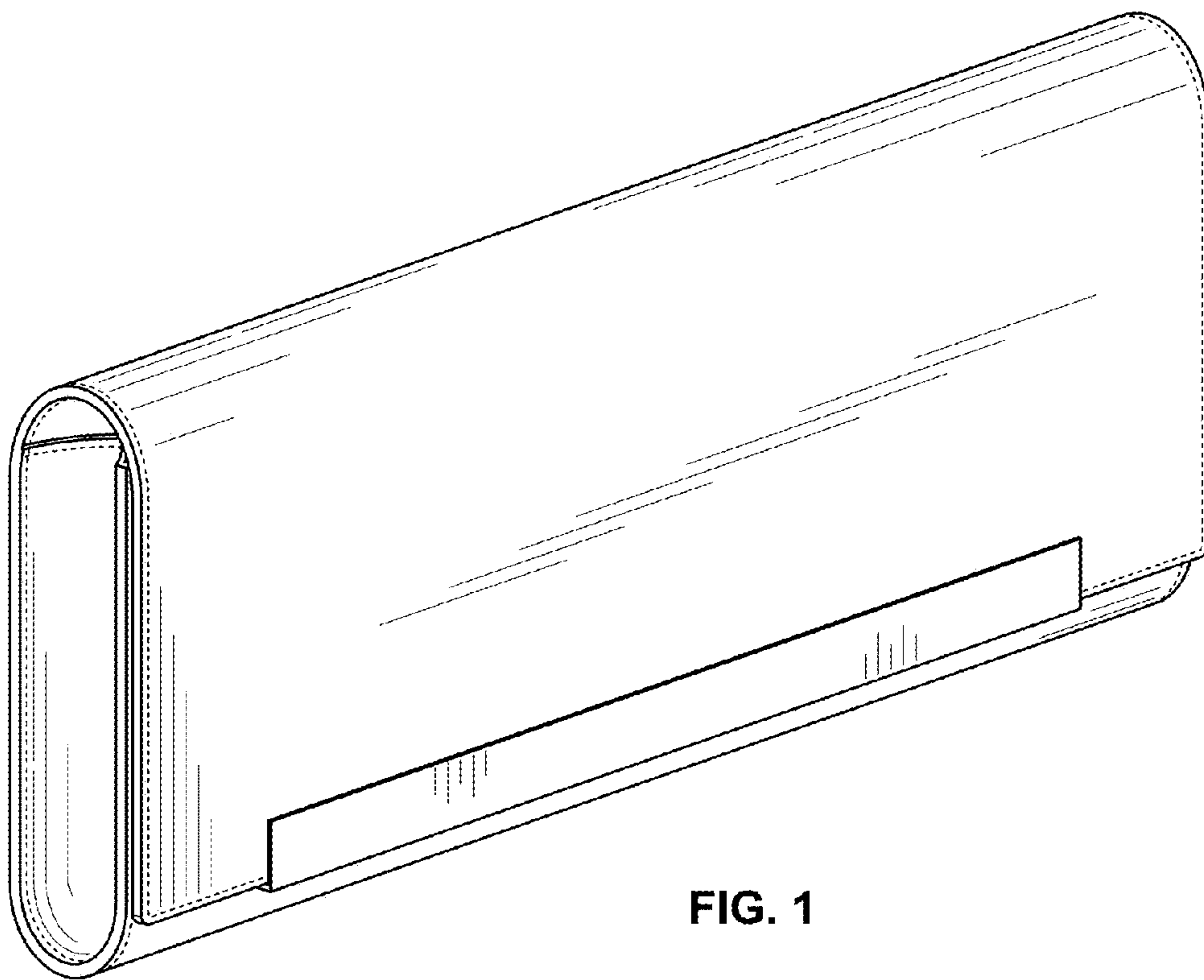


FIG. 1

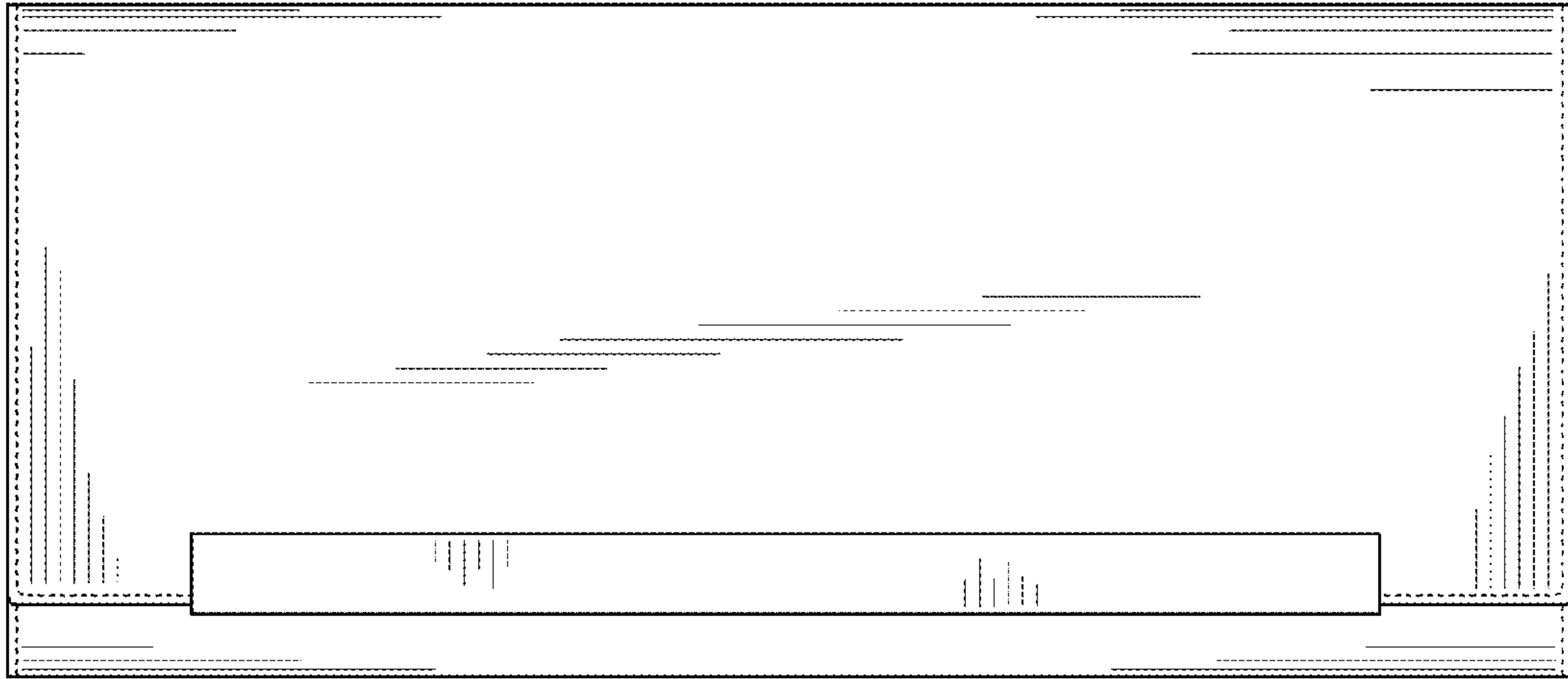


FIG. 2



FIG. 3

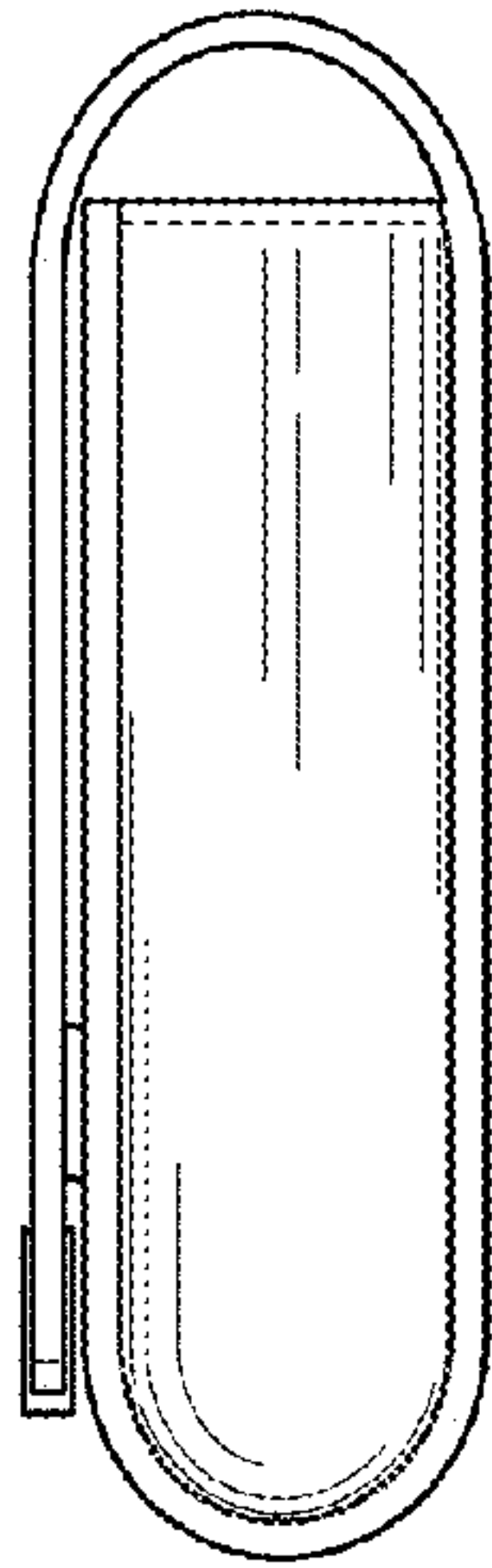


FIG. 4

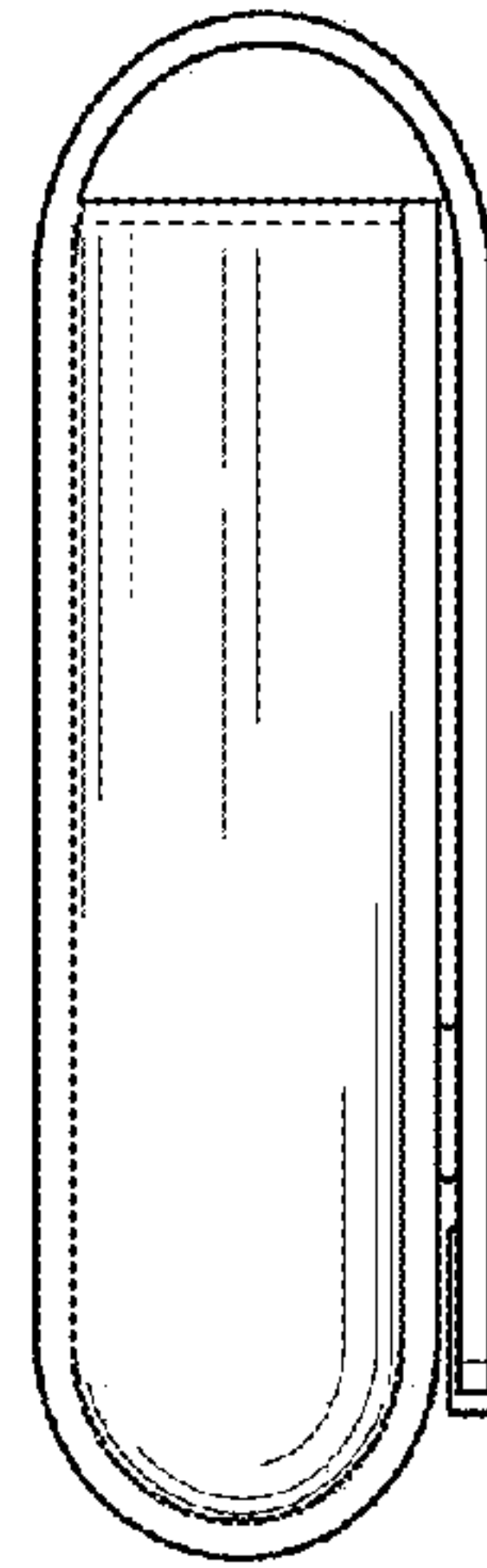


FIG. 5

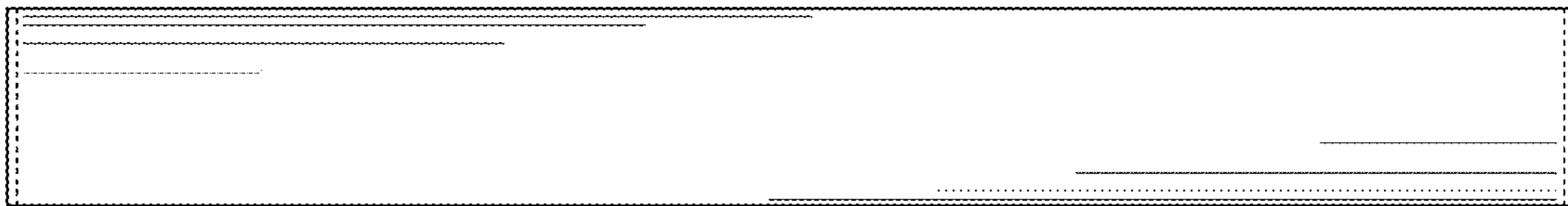


FIG. 6

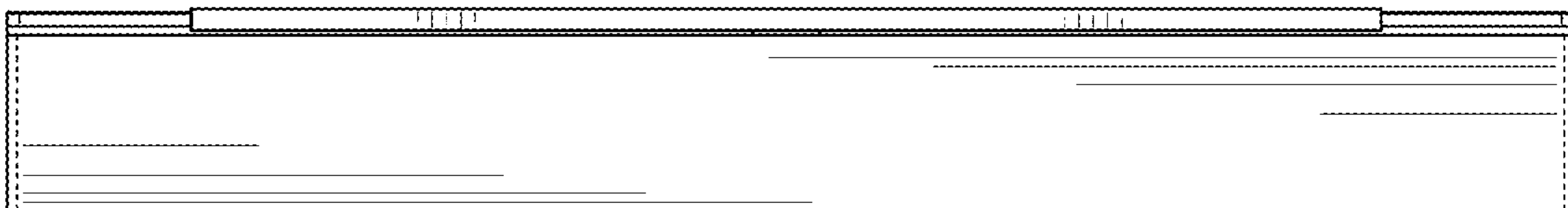


FIG. 7