



US00D730039S

(12) **United States Design Patent**
Kizaki

(10) **Patent No.:** **US D730,039 S**
(45) **Date of Patent:** **** May 26, 2015**

(54) **SET OF CRUTCHES**

(71) Applicant: **KIZAKI Co., LTD.**, Komoro (JP)

(72) Inventor: **Hidemi Kizaki**, Komoro (JP)

(73) Assignee: **KIZAKI CO., LTD.**, Nagano (JP)

(**) Term: **14 Years**

(21) Appl. No.: **29/435,098**

(22) Filed: **Oct. 19, 2012**

(30) **Foreign Application Priority Data**

Apr. 19, 2012 (JP) 2012-009232

(51) **LOC (10) Cl.** **03-03**

(52) **U.S. Cl.**
USPC **D3/7**

(58) **Field of Classification Search**
CPC ... A61H 3/00; A61H 3/02; A61H 2003/0211;
A45B 1/00; A63C 11/22; A63C 11/222
USPC D3/7, 8, 9, 10; D12/130; D21/775;
135/65-73, 76-85; 280/819, 821;
248/311.2; 224/148.7
See application file for complete search history.

(56) **References Cited**

U.S. PATENT DOCUMENTS

3,825,276 A * 7/1974 Adelman 280/821
D258,229 S * 2/1981 Marker D21/775
D317,492 S * 6/1991 Pognat et al. D21/775
D327,110 S * 6/1992 Delery D21/775
D340,496 S * 10/1993 Brewer D21/775
D342,828 S * 1/1994 Steinbach et al. D3/7
D388,146 S * 12/1997 Reed D21/775
D388,855 S * 1/1998 Reed D21/775

D397,393 S * 8/1998 Reed D21/775
6,386,588 B1 * 5/2002 Young et al. 280/821
2007/0120352 A1 * 5/2007 Panizza 280/819
2010/0275958 A1 * 11/2010 Kasurinen et al. 135/66

FOREIGN PATENT DOCUMENTS

EM 0001692799-0001 * 4/2010

* cited by examiner

Primary Examiner — Cathron Brooks

Assistant Examiner — Catherine Posthauer

(74) *Attorney, Agent, or Firm* — Ditthavong & Steiner, P.C.

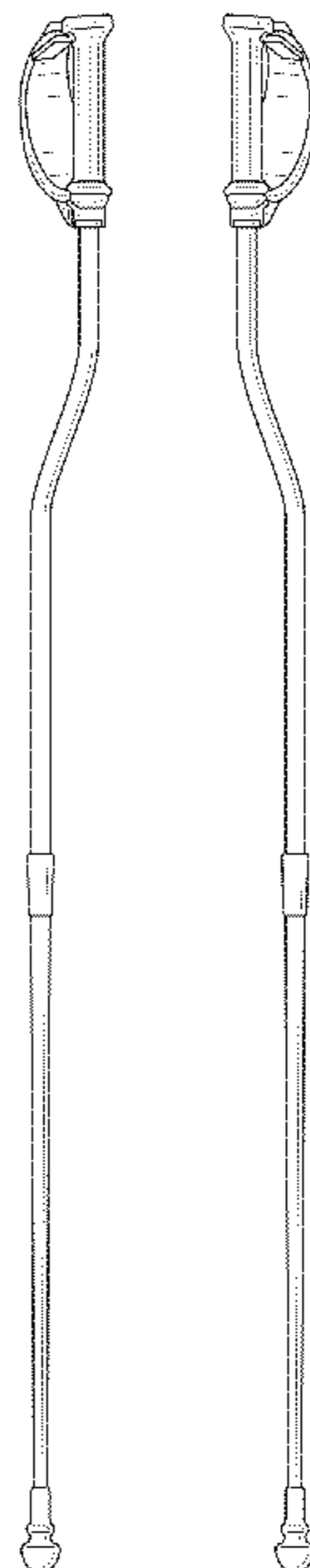
(57) **CLAIM**

The ornamental design for set of crutches, as shown and described.

DESCRIPTION

FIG. 1 is a front elevational view of an embodiment of set of crutches, showing my design;
FIG. 2 is a rear elevational view of the set of crutches;
FIG. 3 is a right side elevational view of a right-hand crutch (see environmental view in FIG. 9 for right-hand and left-hand distinctions) of the set of crutches;
FIG. 4 is a left side elevational view of a right-hand of the set of crutches;
FIG. 5 is a right side elevational view of a left-hand crutch of the set of crutches;
FIG. 6 is a left side elevational view of a left-hand of the set of crutches;
FIG. 7 is a top plan view of the set of crutches;
FIG. 8 is a bottom plan view of the set of crutches; and,
FIG. 9 is a front perspective, environmental view of the set of crutches in use.
The environmental structures shown in FIG. 9 in broken lines form no part of the design of the present invention.

1 Claim, 5 Drawing Sheets



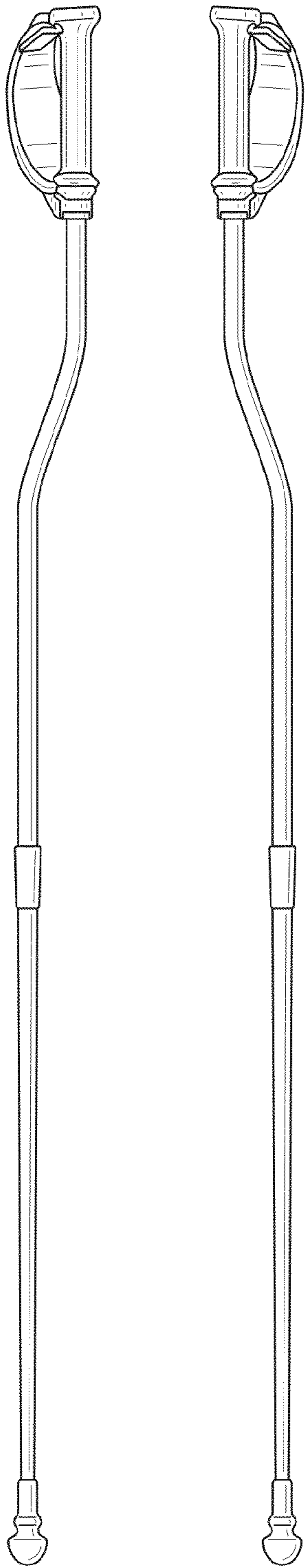


FIG. 1

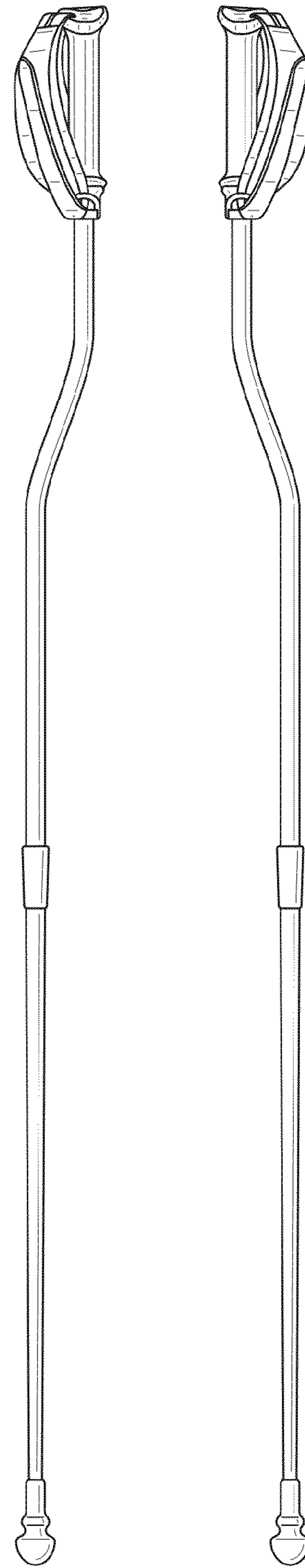


FIG. 2

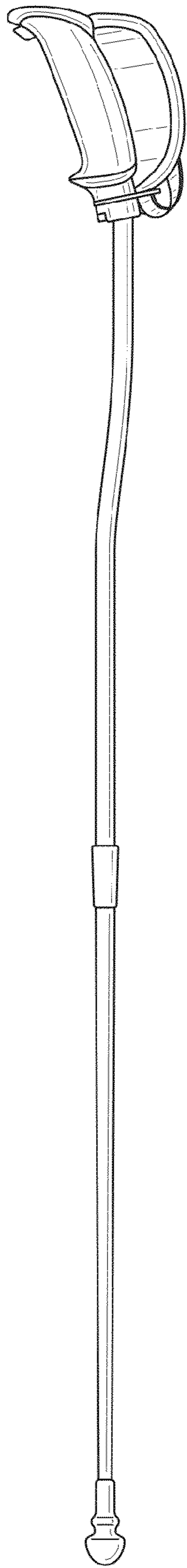


FIG. 3

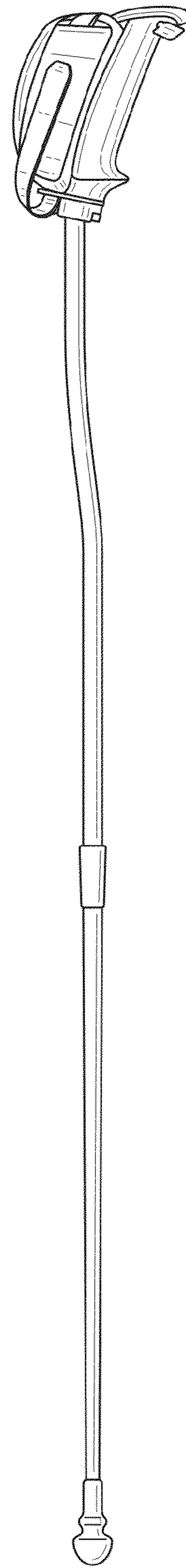


FIG. 4

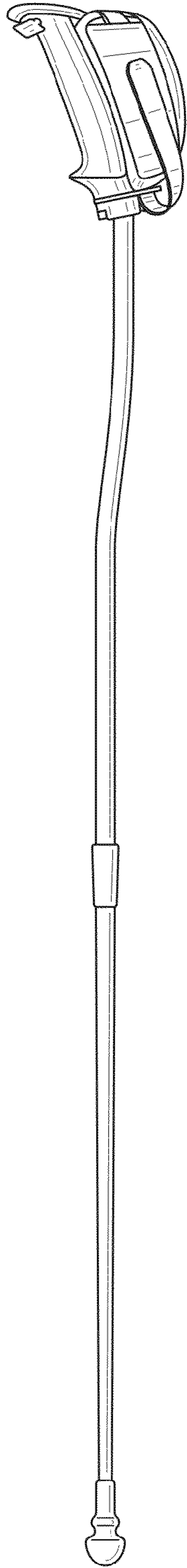


FIG. 5

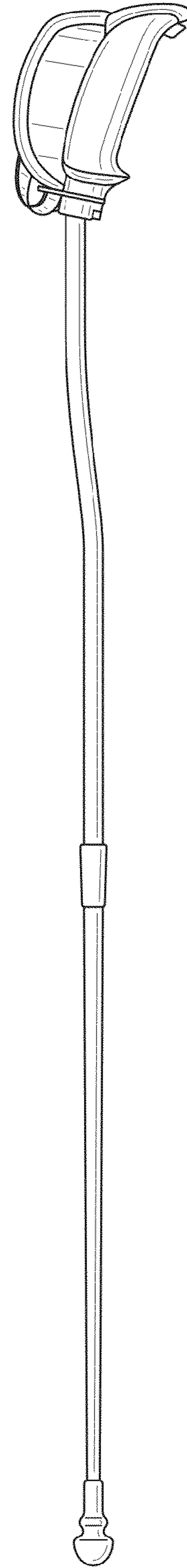


FIG. 6

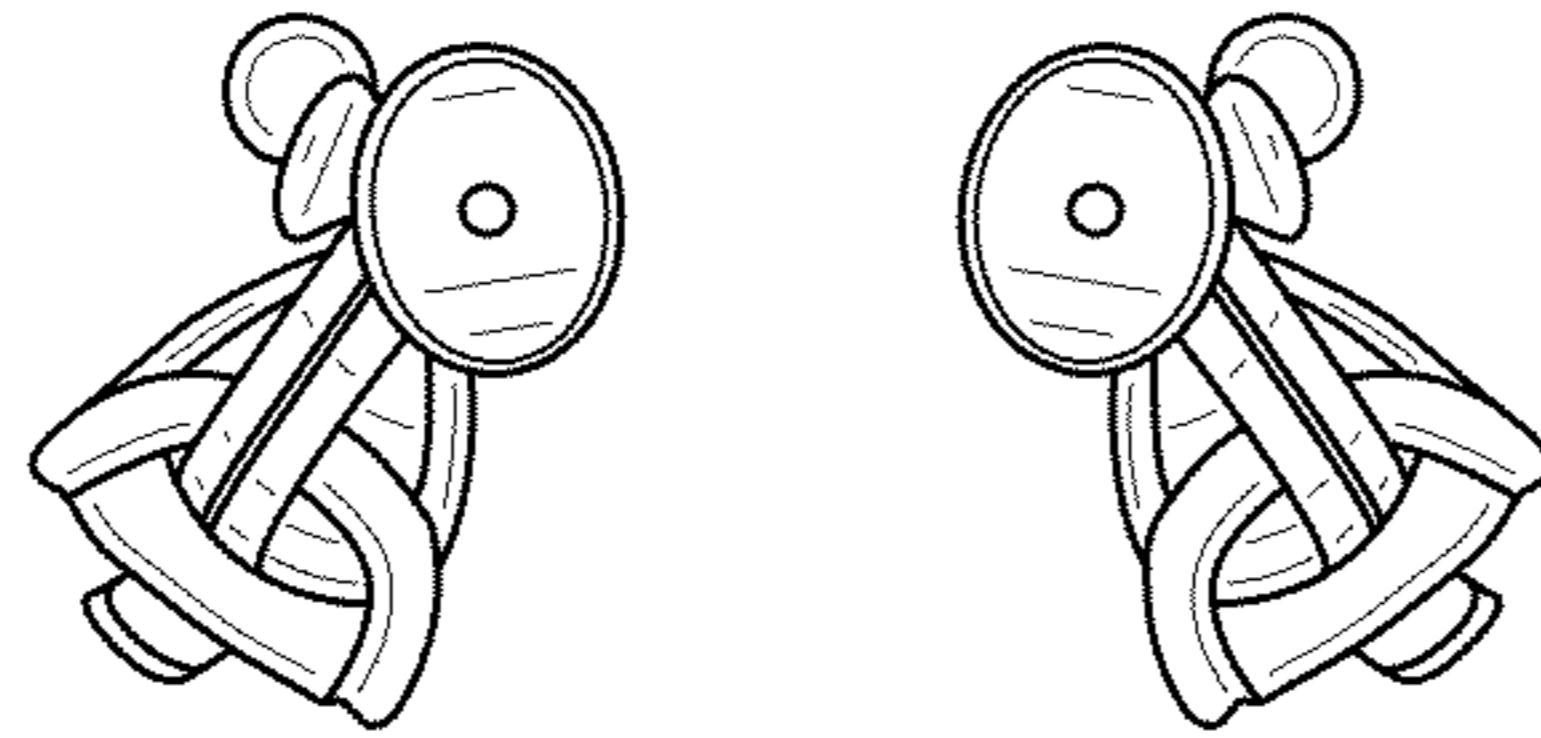


FIG. 7

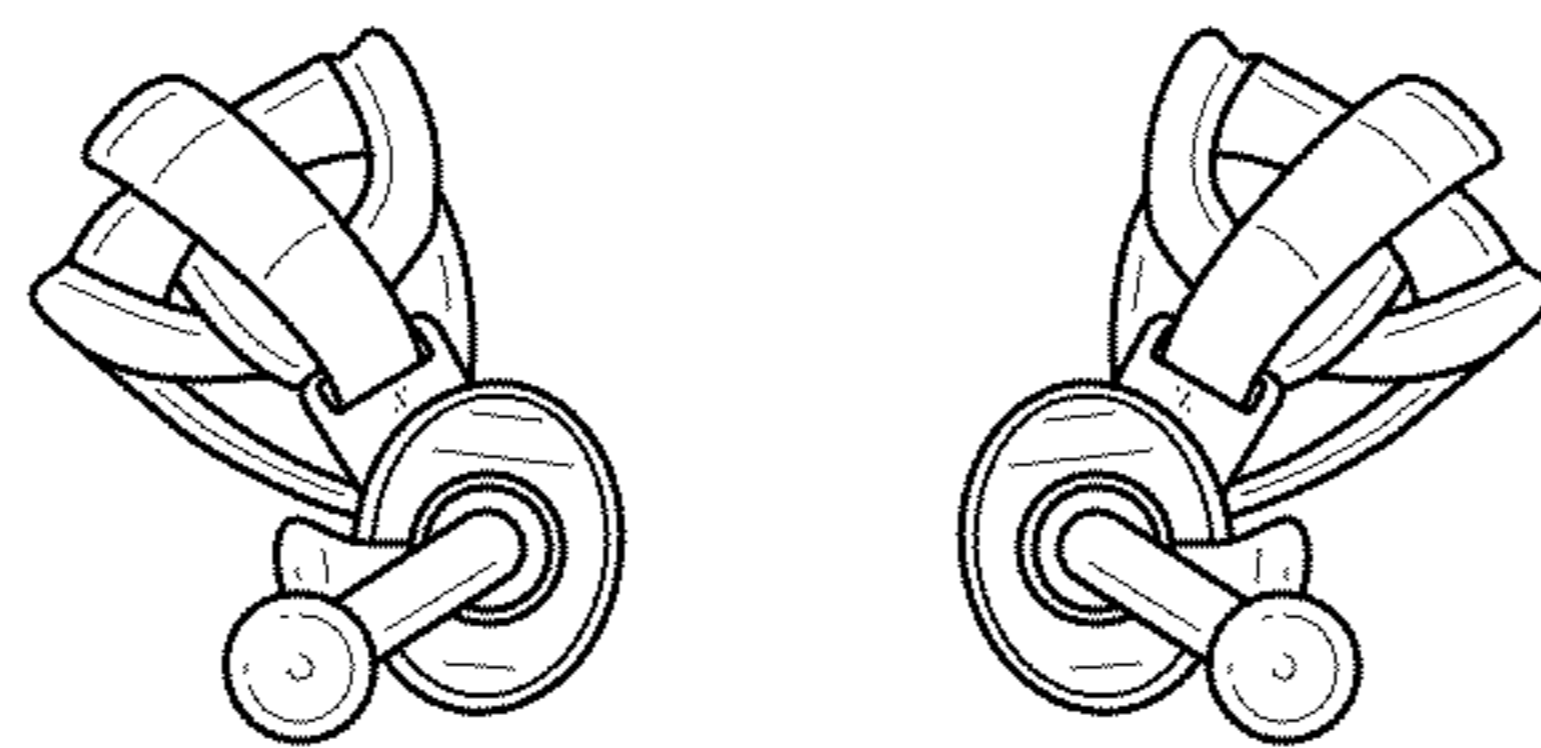


FIG. 8

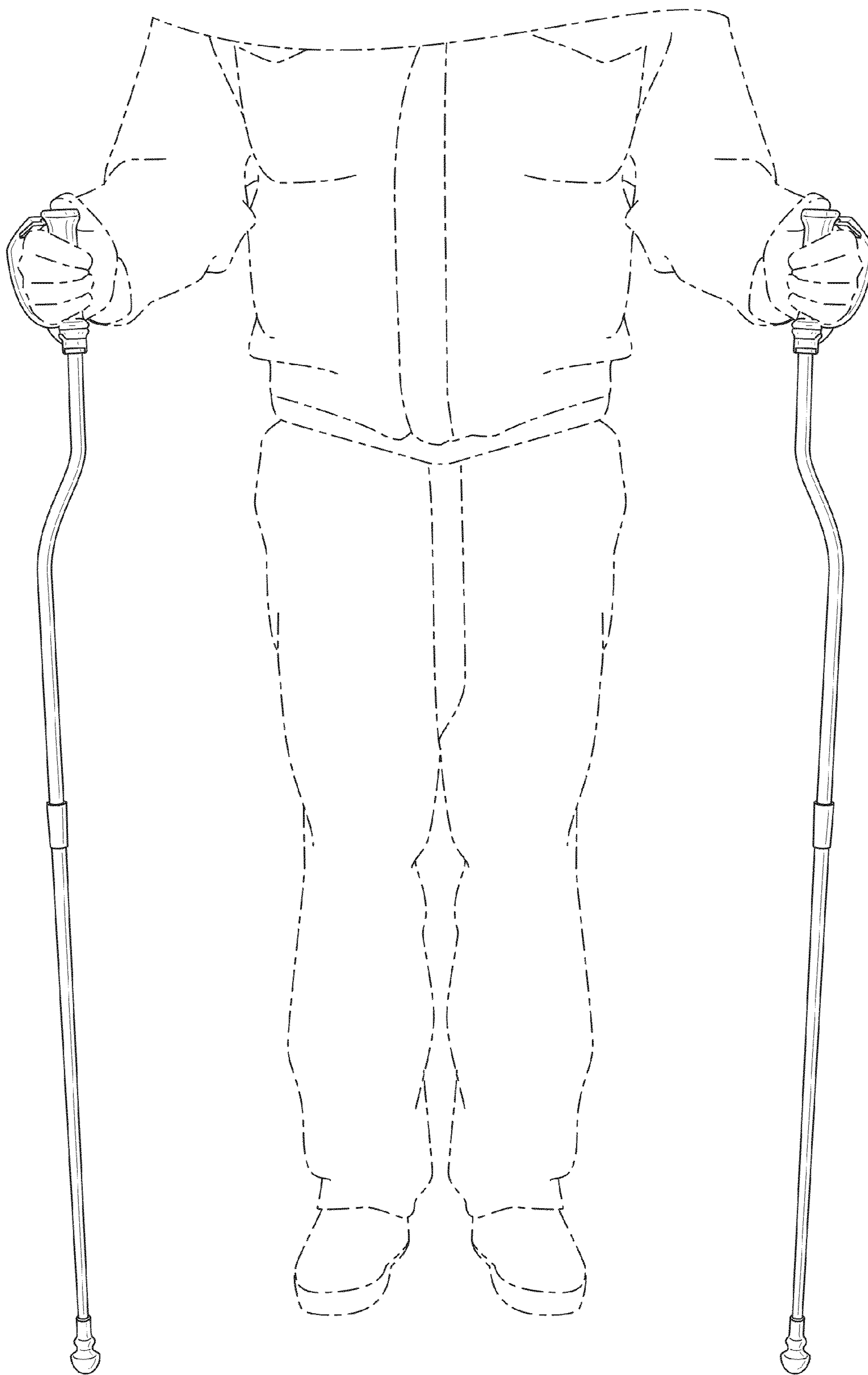


FIG. 9