



US00D730037S

(12) **United States Design Patent**
Spring

(10) **Patent No.:** **US D730,037 S**

(45) **Date of Patent:** **** May 26, 2015**

(54) **FOOTWEAR**

(75) Inventor: **Angie Spring**, Portland, OR (US)

(73) Assignee: **Sorel Corporation**, Portland, OR (US)

(**) Term: **14 Years**

(21) Appl. No.: **29/420,614**

(22) Filed: **May 10, 2012**

(51) **LOC (10) Cl.** **02-04**

(52) **U.S. Cl.**
USPC **D2/970**

(58) **Field of Classification Search**
CPC A43B 23/02; A43B 5/00; A43B 3/16
USPC D2/896, 900, 909-911, 920, 943, 946,
D2/969, 970, 974; 36/83, 1.5, 2 R, 109, 3 A,
36/7.1 R, 45, 52, 112, 100
See application file for complete search history.

(56) **References Cited**

U.S. PATENT DOCUMENTS

631,821 A * 8/1899 Riemer 36/13
D164,155 S * 8/1951 Bingham, Jr. D2/912
D236,663 S * 9/1975 Cotton D2/912
D245,647 S * 9/1977 Gadd D2/910

D457,717 S * 5/2002 Chen D2/969
D487,336 S * 3/2004 Matis D2/969
D499,875 S * 12/2004 Lozano D2/972
D636,588 S * 4/2011 Avar D2/972

* cited by examiner

Primary Examiner — Ian Simmons

Assistant Examiner — Rashida C McCoy

(74) *Attorney, Agent, or Firm* — Schwabe, Williamson & Wyatt, P.C.

(57) **CLAIM**

I claim the ornamental design for footwear, as shown and described.

DESCRIPTION

FIG. 1 is a perspective view of footwear, showing my new design;
FIG. 2 is a front view thereof;
FIG. 3 is a back view thereof;
FIG. 4 is a left side view thereof;
FIG. 5 is a right side view thereof;
FIG. 6 is a top view thereof; and,
FIG. 7 is a bottom view thereof.

The dashed lines are included for illustrating environmental structure and form no part of the claimed design.

1 Claim, 6 Drawing Sheets





FIG. 1

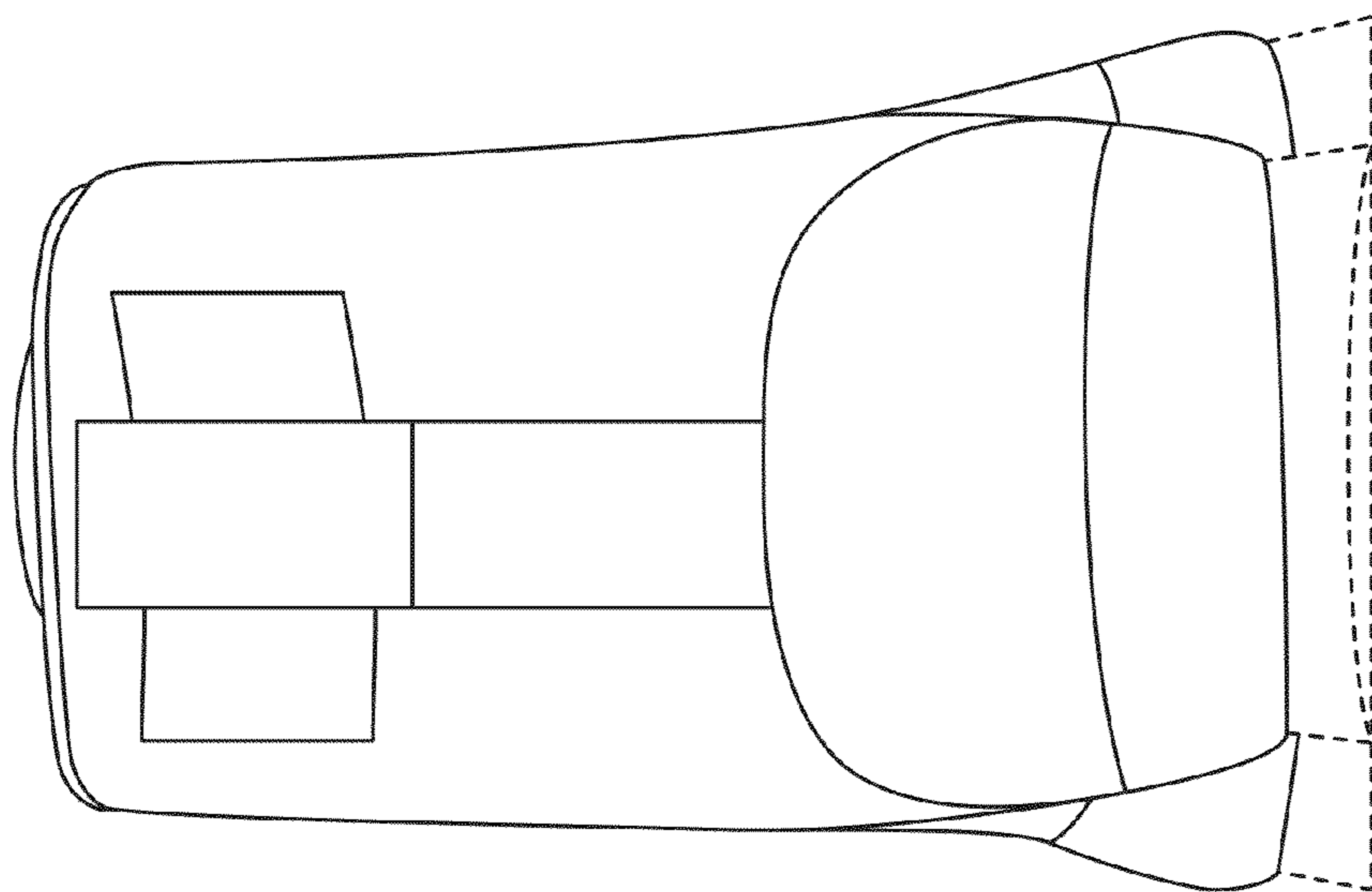


FIG. 3

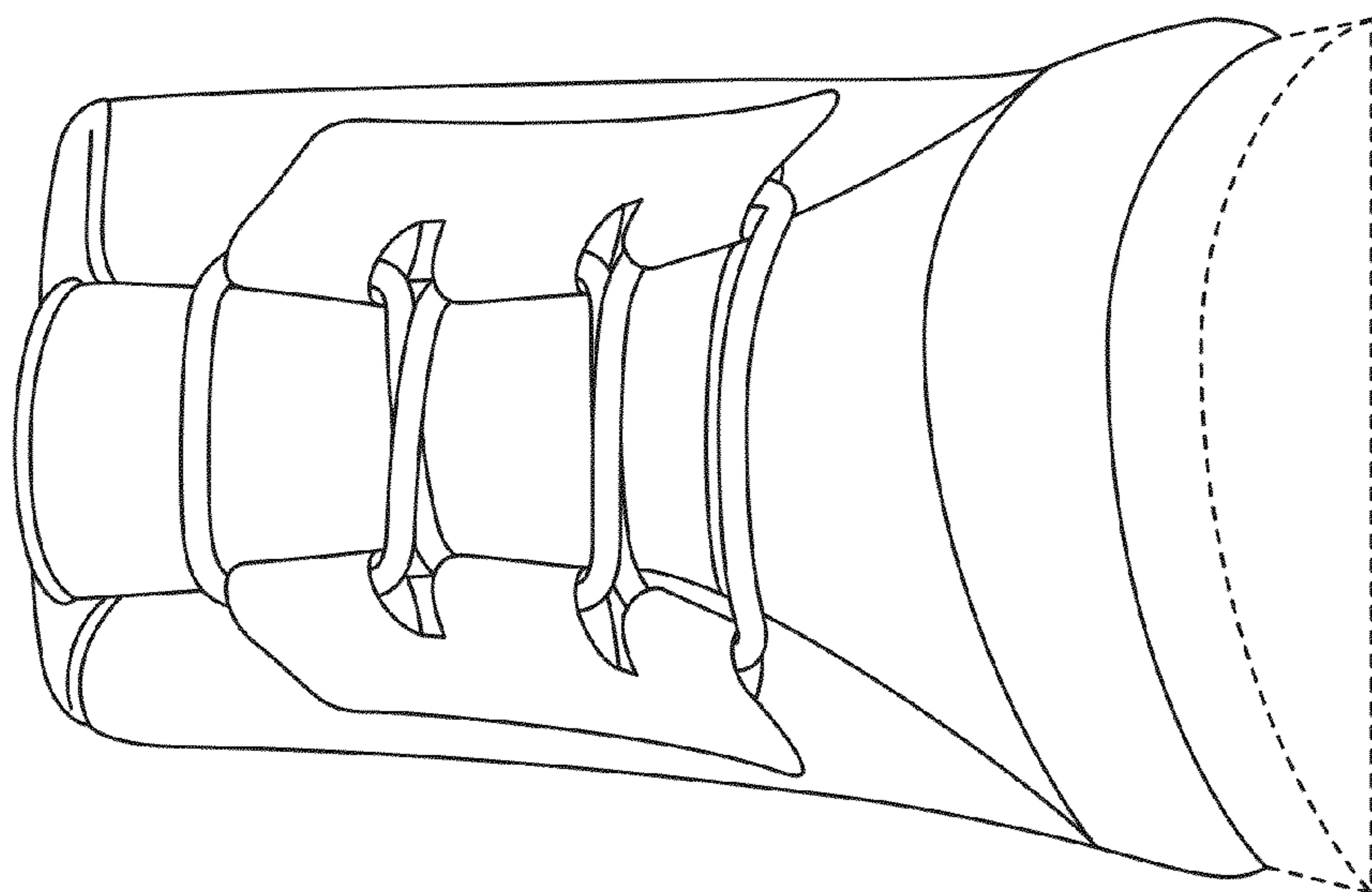


FIG. 2

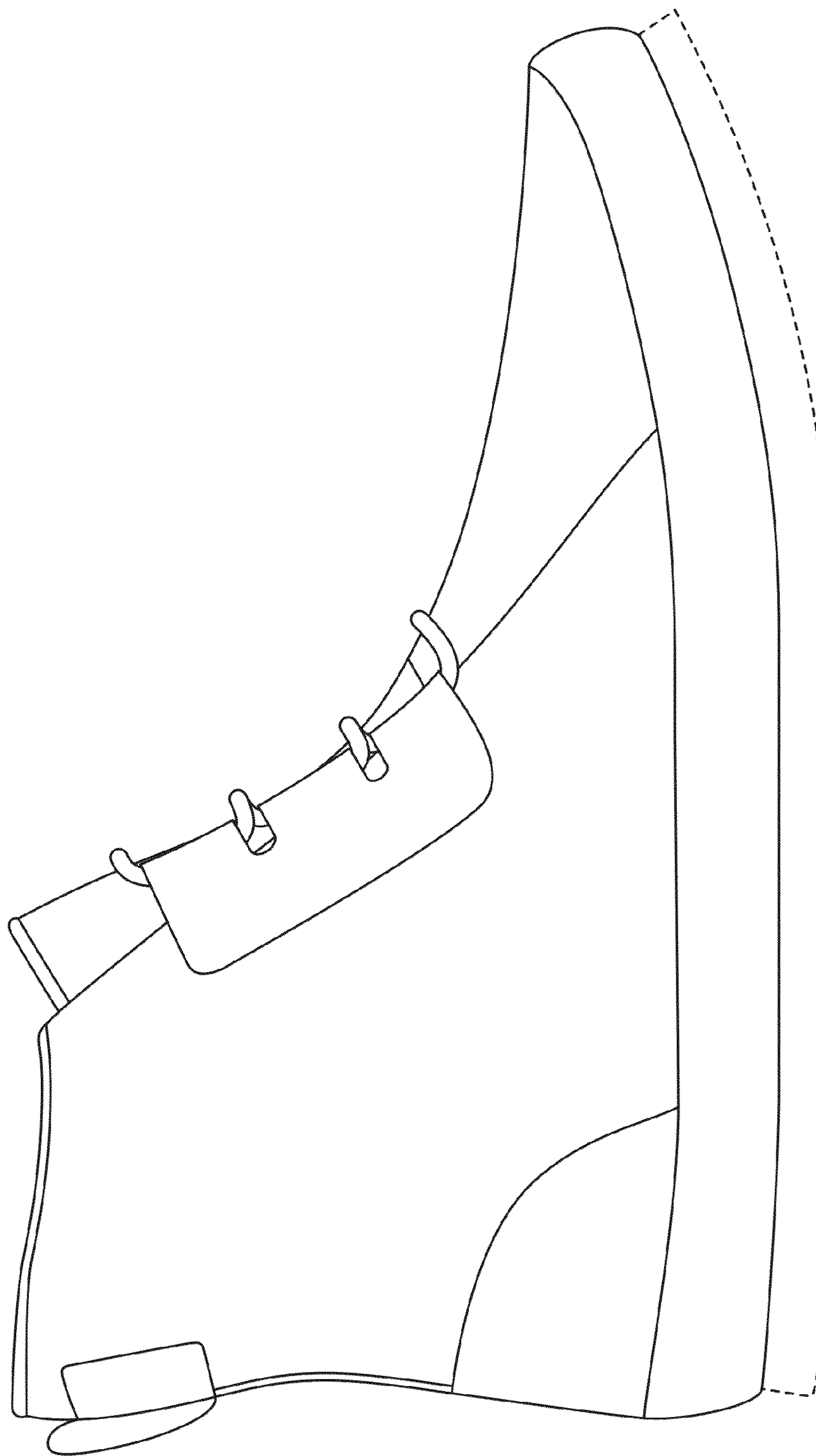


FIG. 4

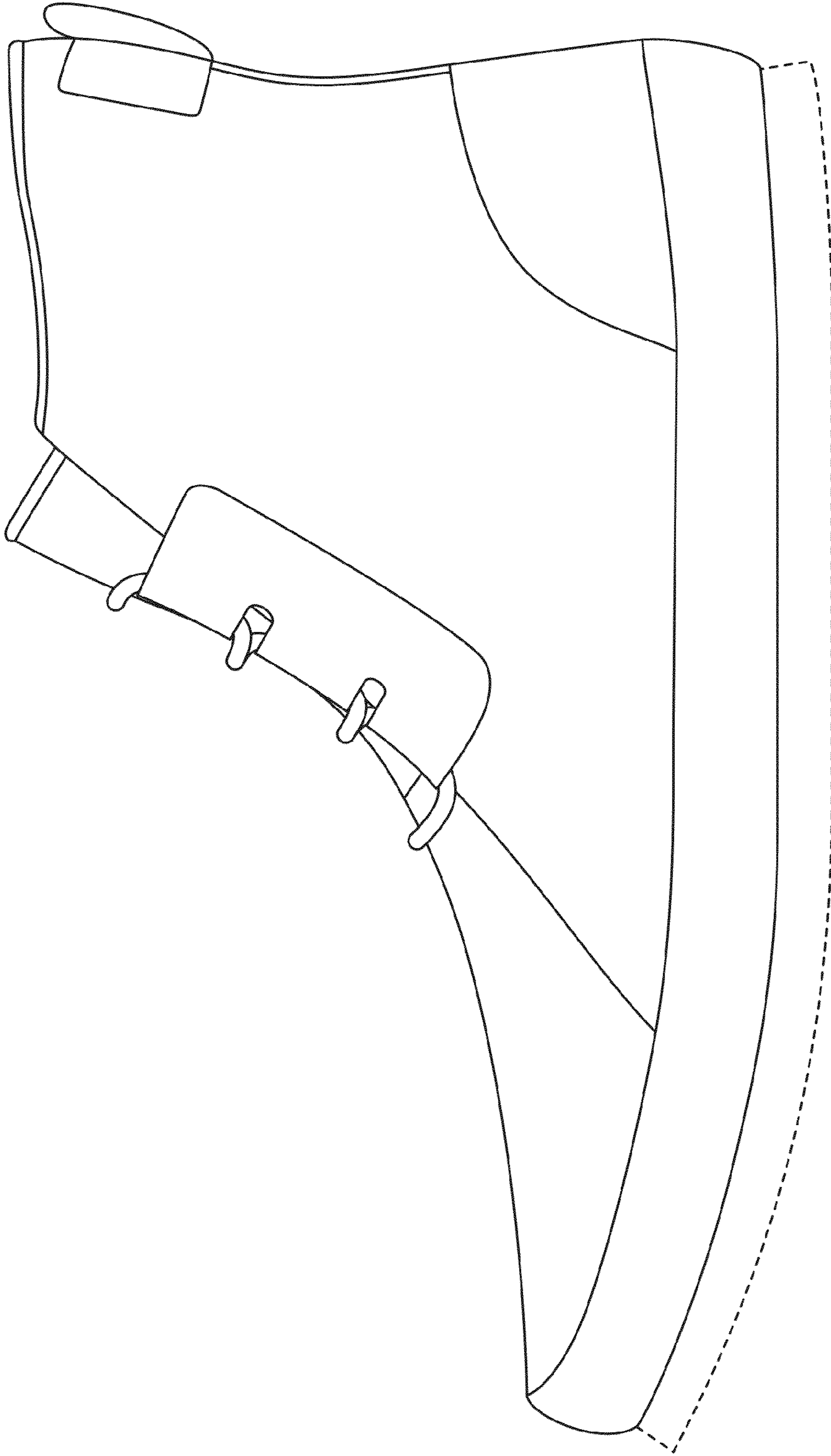


FIG. 5

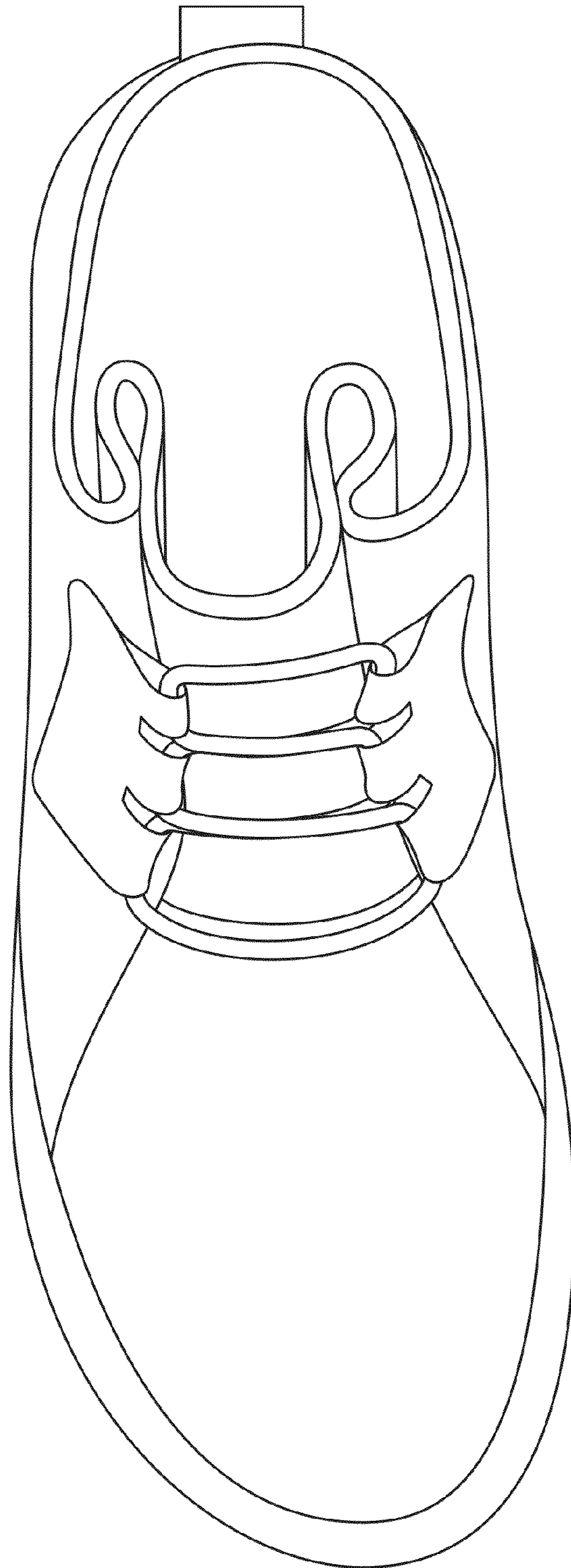


FIG. 6

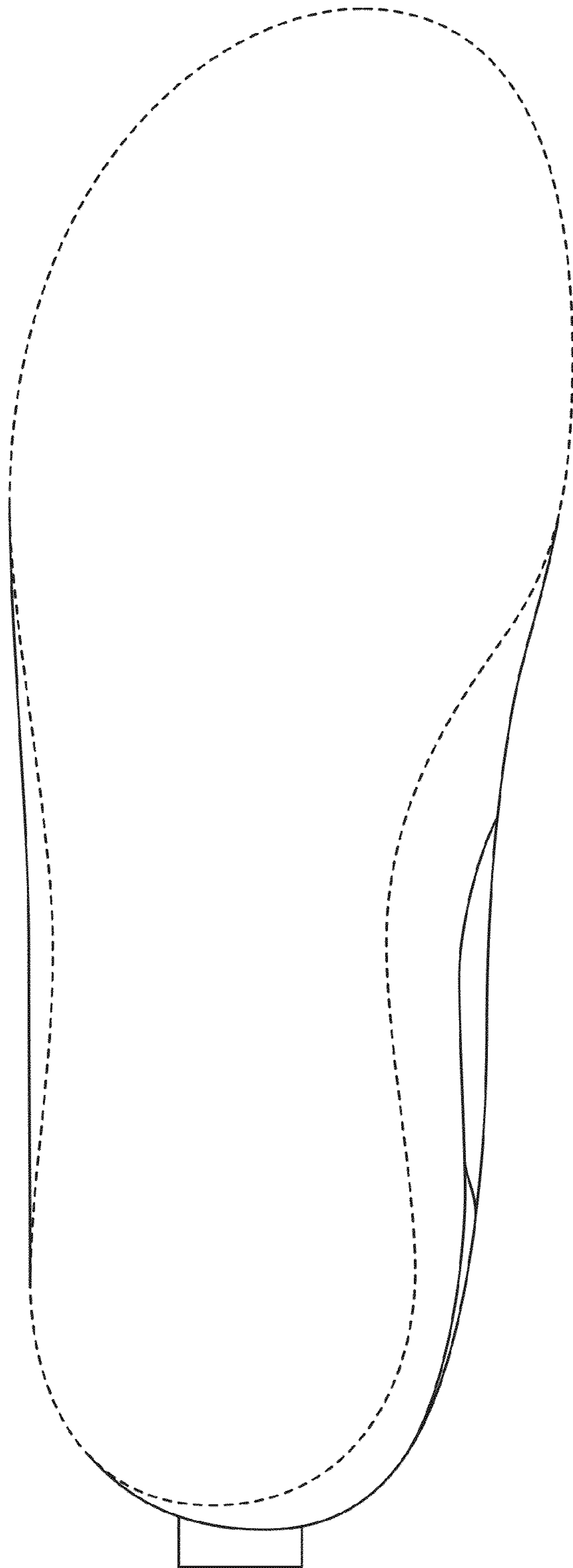


FIG. 7