



US00D730036S

(12) **United States Design Patent**
Portzline

(10) **Patent No.:** **US D730,036 S**

(45) **Date of Patent:** **** May 26, 2015**

(54) **FOOTWEAR**

(71) Applicant: **Columbia Sportswear North America, Inc.**, Portland, OR (US)

(72) Inventor: **William Scott Portzline**, Portland, OR (US)

(73) Assignee: **Columbia Sportswear North America, Inc.**, Portland, OR (US)

(**) Term: **14 Years**

(21) Appl. No.: **29/470,296**

(22) Filed: **Oct. 18, 2013**

(51) **LOC (10) Cl.** **02-99**

(52) **U.S. Cl.**
USPC **D2/969**

(58) **Field of Classification Search**
CPC A43B 13/181; A43B 13/141; A43B 3/186;
A43B 13/188; A43B 23/00; A43B 23/02;
A43B 5/00; A43B 3/30; A43B 1/0081
USPC D2/900, 902, 906-908, 944, 969,
D2/972-974; 36/45, 50.1, 77 M, 77 R, 83,
36/88, 113, 114, 126-131

See application file for complete search history.

(56) **References Cited**

U.S. PATENT DOCUMENTS

D227,821 S *	7/1973	Aksew	D2/908
D229,251 S *	11/1973	Askew	D2/907
D232,200 S *	7/1974	Inohara	D2/906
D239,217 S *	3/1976	Lloyd	D2/907
D239,478 S *	4/1976	Senteri	D2/907
D241,383 S *	9/1976	Dolinsky	D2/908
D247,334 S *	2/1978	Sasaki	D2/908
D278,093 S *	3/1985	Ueda	D2/907
D290,181 S *	6/1987	Autry	D2/907
D292,784 S *	11/1987	Autry	D2/902

D357,796 S *	5/1995	Crowley, II	D2/972
D357,797 S *	5/1995	Raysse	D2/972
D380,079 S *	6/1997	Greene	D2/972
D395,947 S *	7/1998	Hardy	D2/972
D401,755 S *	12/1998	Zinovieff	D2/972
D427,759 S *	7/2000	Hlavacs	D2/972
D428,245 S *	7/2000	Brown	D2/972
D431,352 S *	10/2000	Hlavacs	D2/972
D435,162 S *	12/2000	Wilson	D2/969
D443,978 S *	6/2001	McDowell	D2/972
D481,530 S *	11/2003	Hillyer	D2/972
D528,765 S *	9/2006	Portzline	D2/972
D540,531 S *	4/2007	Lee	D2/972
D541,518 S *	5/2007	Rasmussen	D2/972
D574,592 S *	8/2008	St-Louis et al.	D2/969
D574,594 S *	8/2008	St-Louis et al.	D2/969
D588,350 S *	3/2009	Amphyon et al.	D2/972
D604,035 S *	11/2009	Lemaster	D2/972
D635,748 S *	4/2011	Katz et al.	D2/902

* cited by examiner

Primary Examiner — Dominic Simone

(74) *Attorney, Agent, or Firm* — Schwabe, Williamson & Wyatt, P.C.

(57) **CLAIM**

I claim the ornamental design for footwear, as shown and described.

DESCRIPTION

FIG. 1 is a perspective view of footwear, showing my new design;

FIG. 2 is a left side view thereof;

FIG. 3 is a right side view thereof;

FIG. 4 is a top view thereof;

FIG. 5 is a bottom view thereof;

FIG. 6 is a front view thereof; and,

FIG. 7 is a back view thereof.

The dashed lines are included for illustrating environmental structure and form no part of the claimed design.

1 Claim, 6 Drawing Sheets

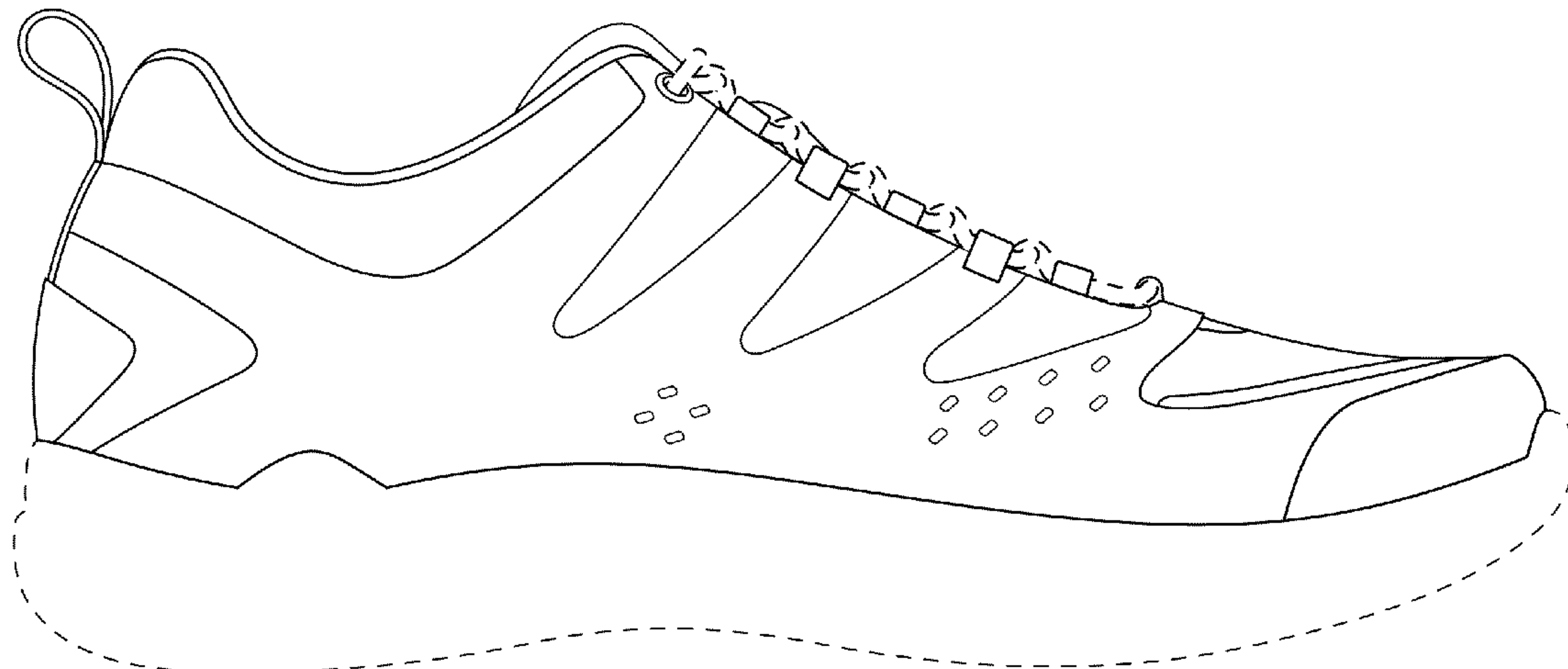
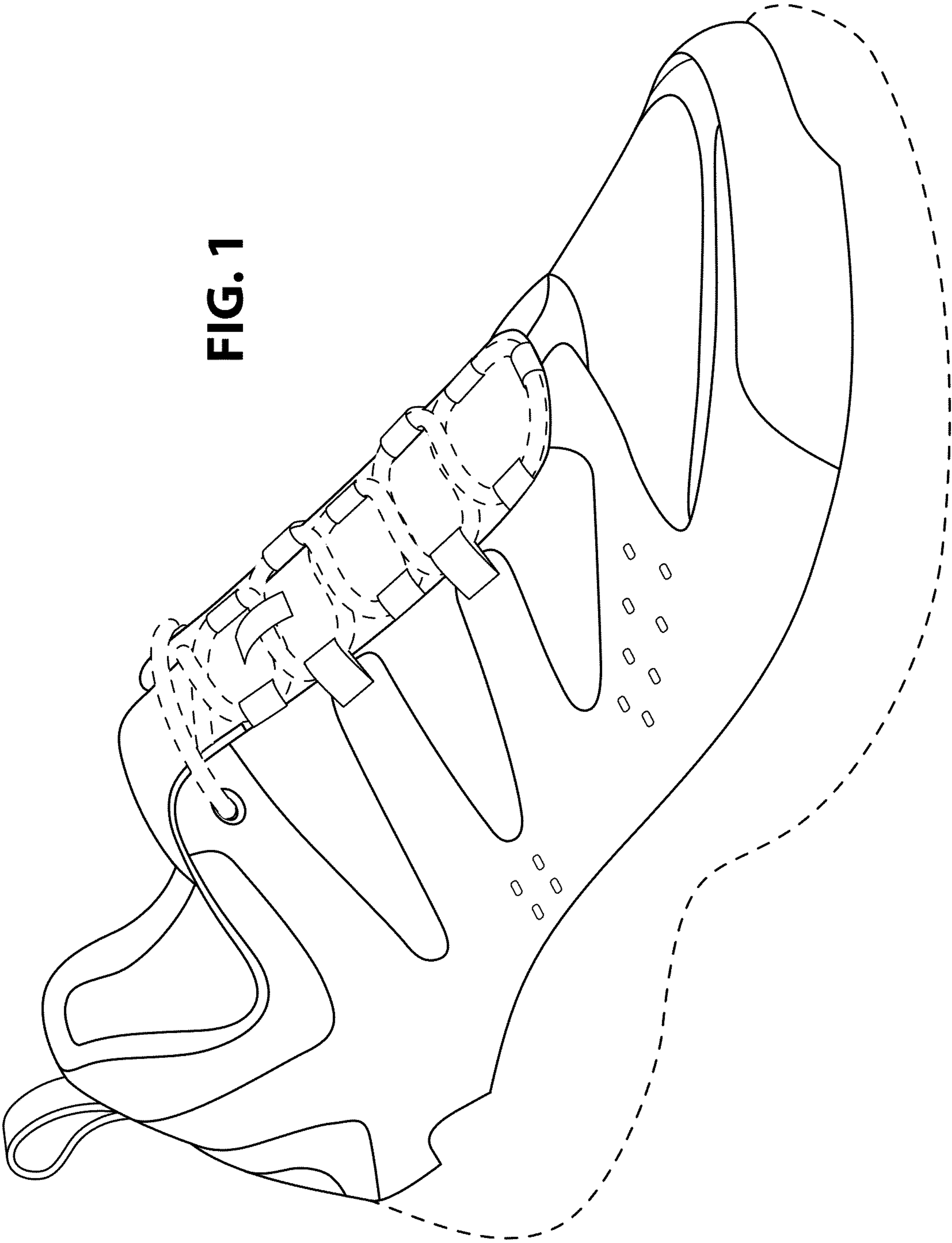


FIG. 1



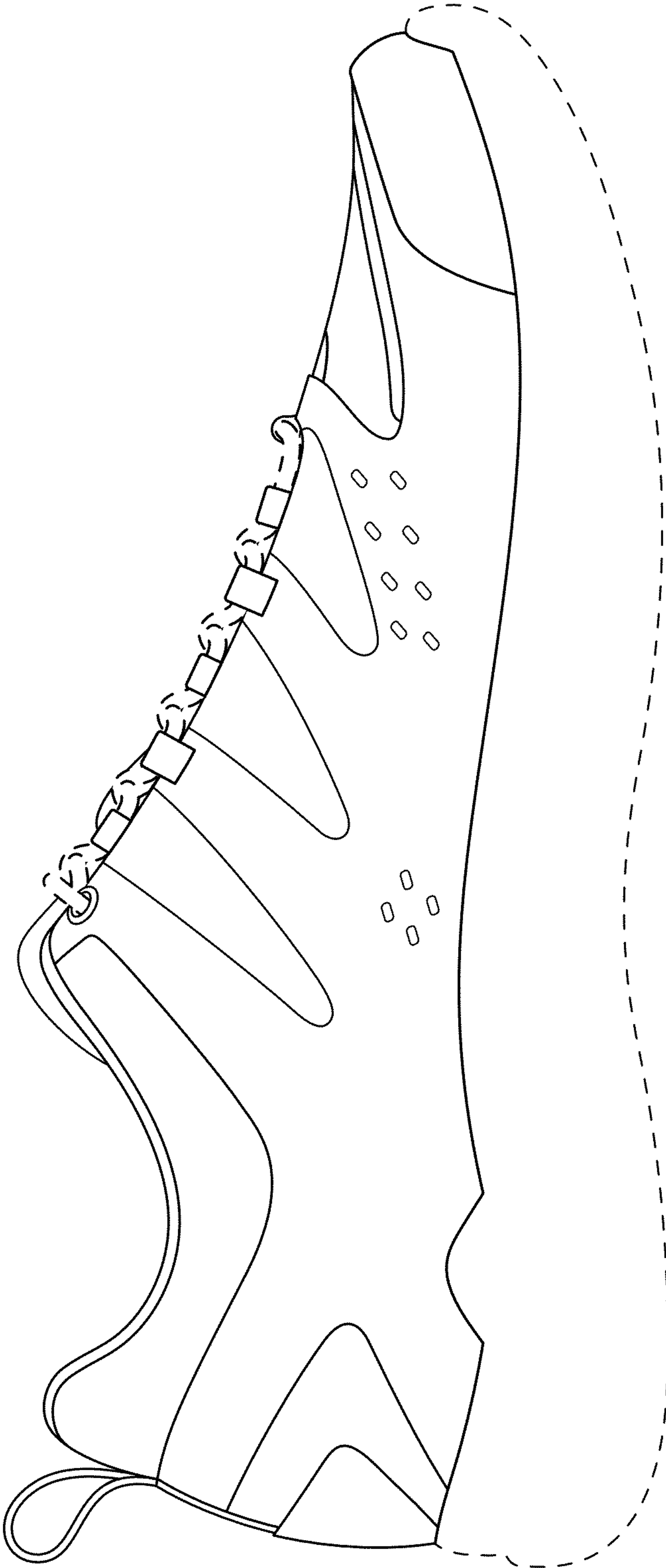


FIG. 2

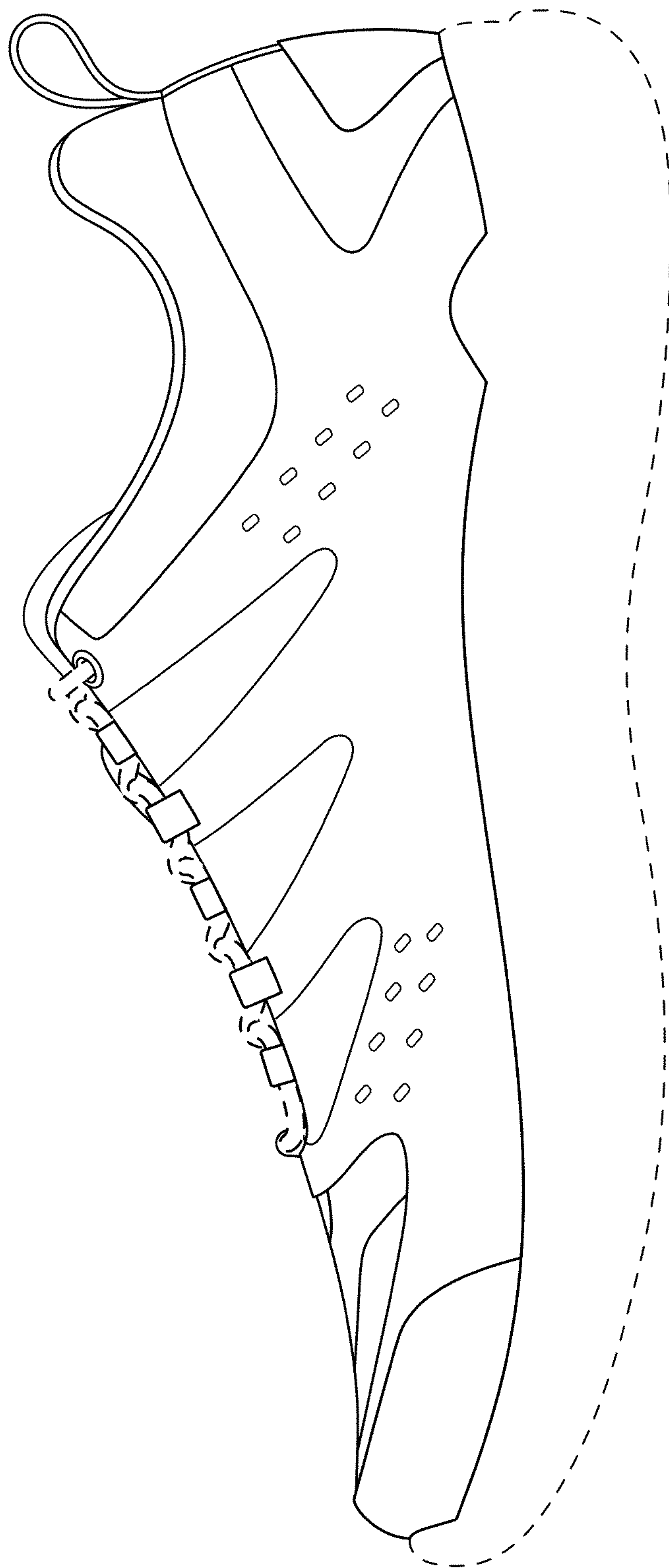


FIG. 3

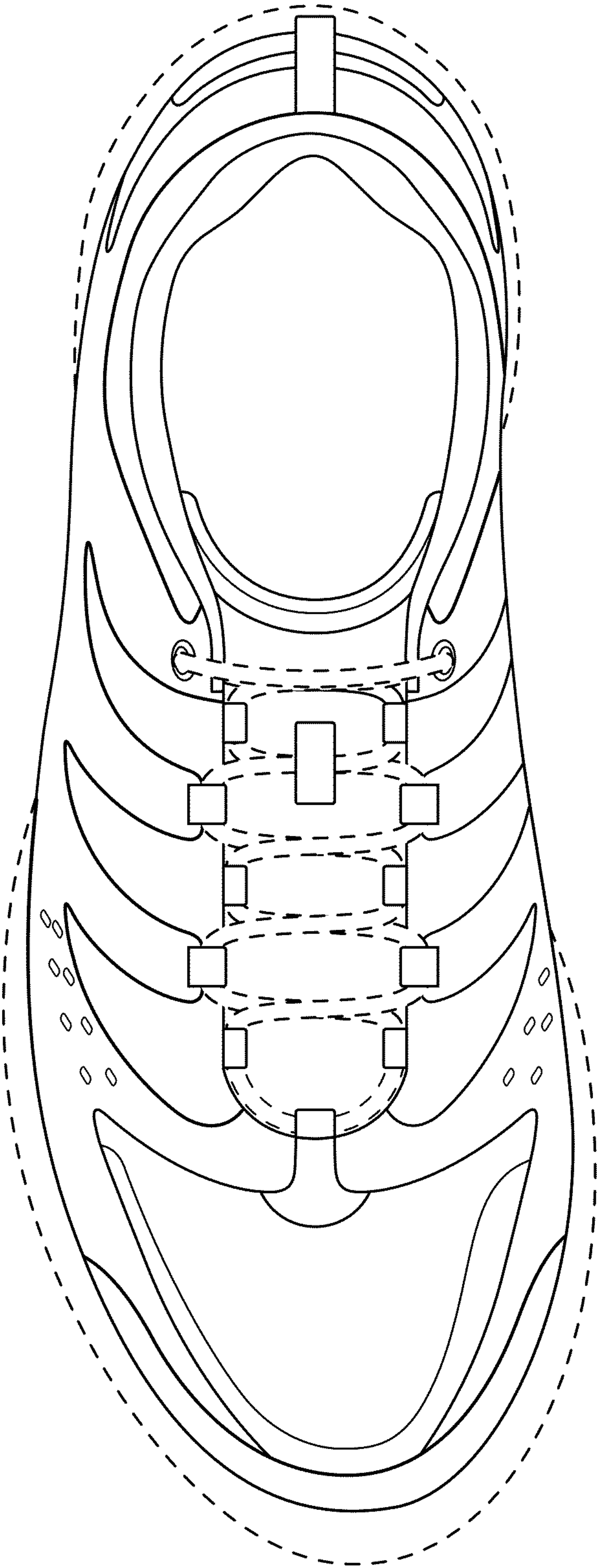


FIG. 4

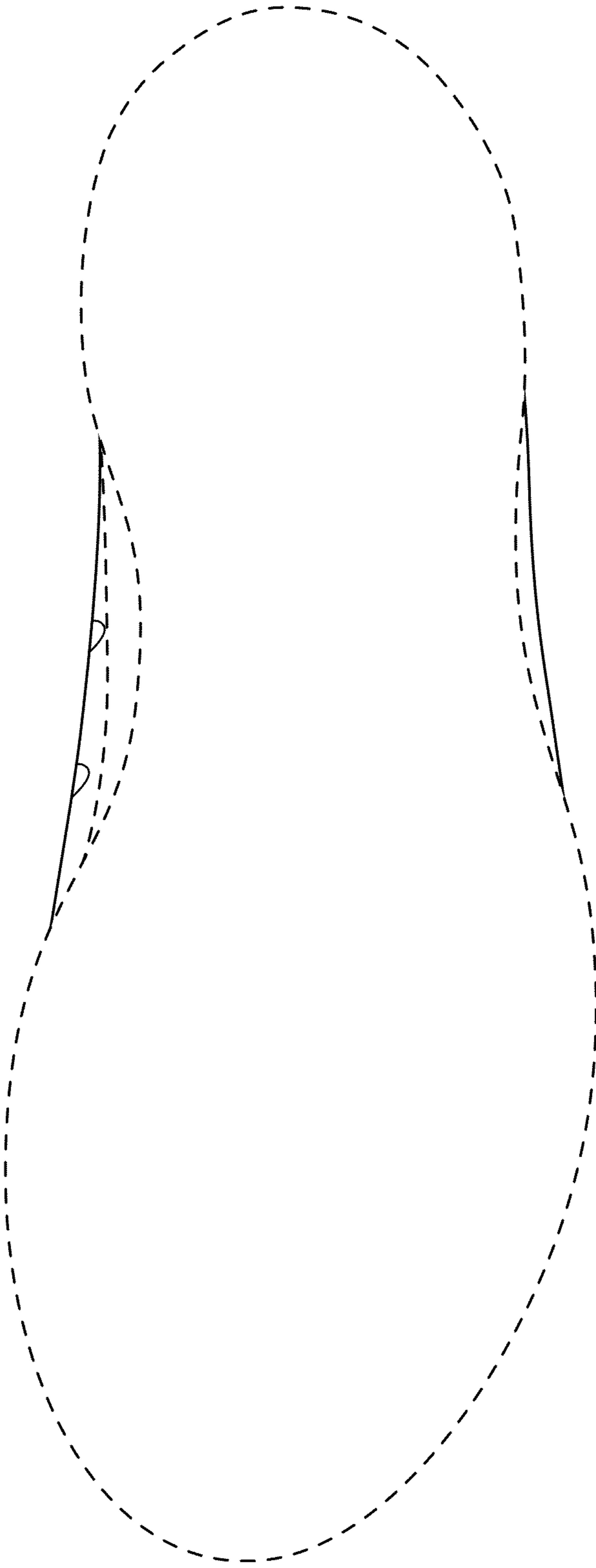


FIG. 5

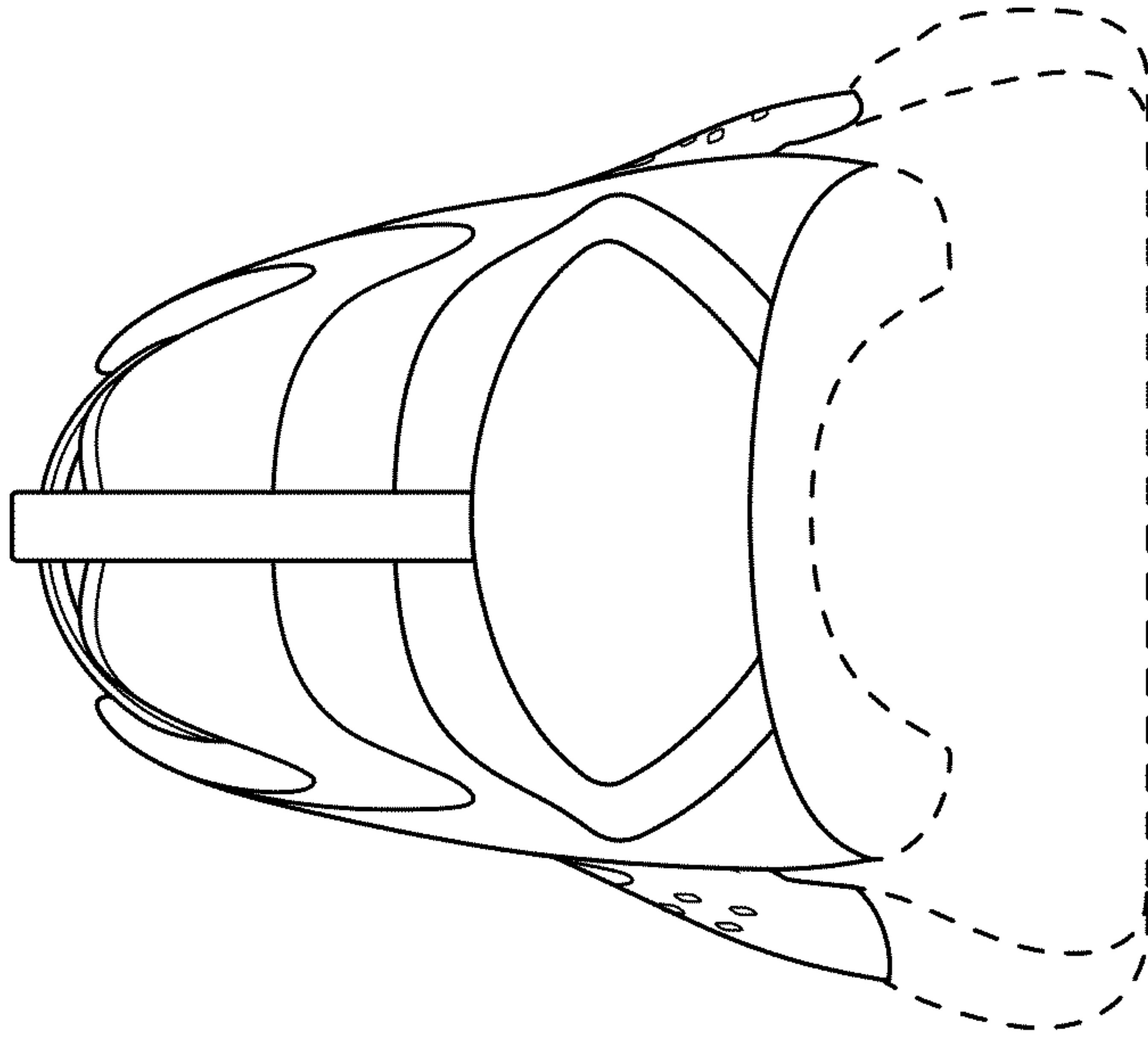


FIG. 7

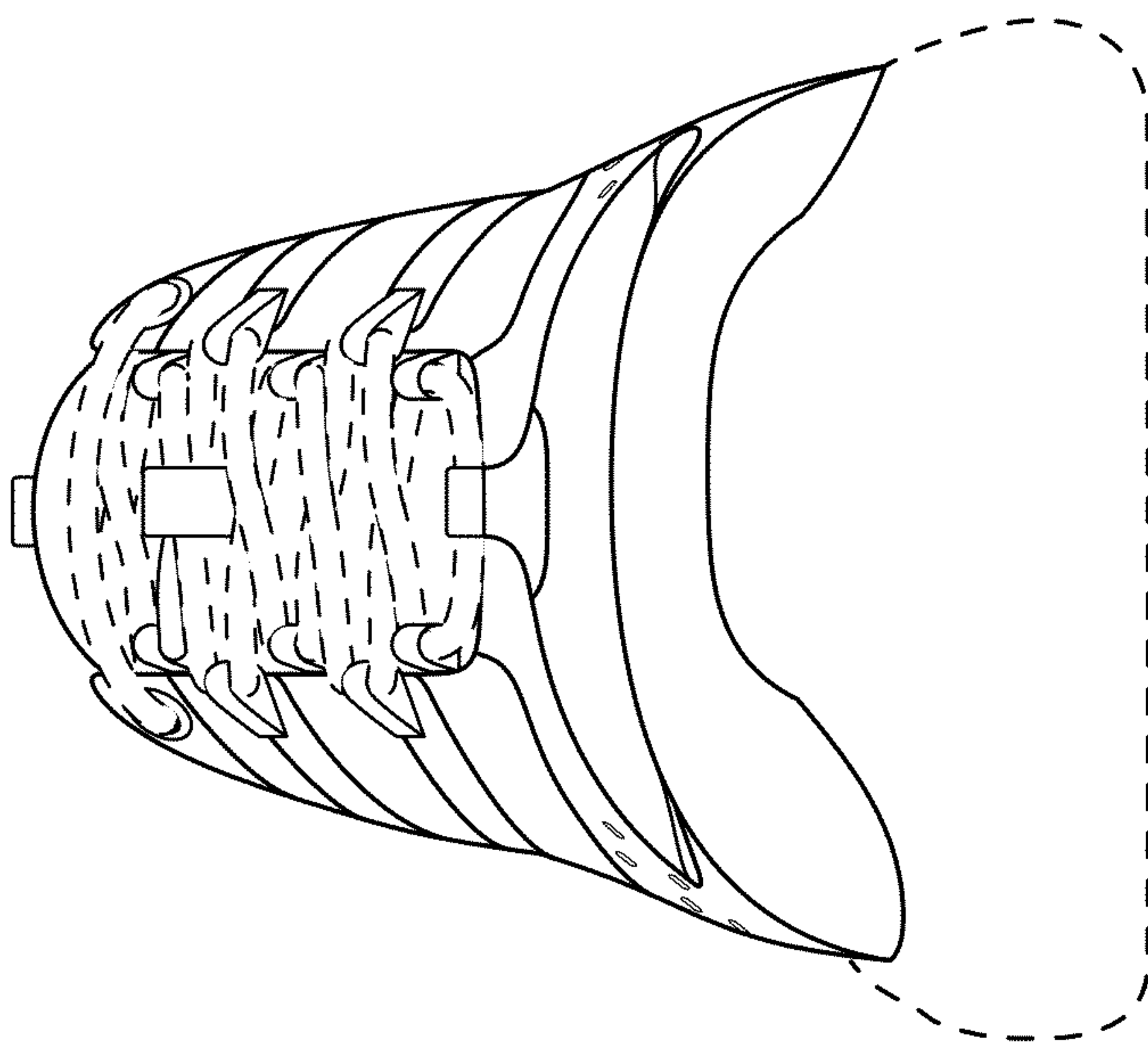


FIG. 6