



US00D730028S

(12) **United States Design Patent**
Jones

(10) **Patent No.:** **US D730,028 S**
(45) **Date of Patent:** **** May 26, 2015**

- (54) **MODULAR SHOE**
- (71) Applicant: **Carolyn M. Jones**, Laurel, MD (US)
- (72) Inventor: **Carolyn M. Jones**, Laurel, MD (US)
- (**) Term: **14 Years**
- (21) Appl. No.: **29/445,108**
- (22) Filed: **Feb. 7, 2013**
- (51) **LOC (10) Cl.** **02-04**
- (52) **U.S. Cl.**
USPC **D2/929; D2/925; D2/930**
- (58) **Field of Classification Search**
USPC D2/896, 916, 917, 925-942, 946, 969,
D2/971; 36/1, 83, 8.3, 45-58, 100, 101,
36/104, 108, 76 R
See application file for complete search history.

5,896,684	A *	4/1999	Lin	36/101
5,946,823	A *	9/1999	Yates	36/101
5,992,058	A *	11/1999	Jneid	36/100
6,499,234	B2 *	12/2002	Manzi	36/100
7,661,206	B2 *	2/2010	Osborn	36/101
7,698,834	B1 *	4/2010	Courville	36/100
7,730,634	B2 *	6/2010	LaDuca	36/8.3
7,877,903	B2	2/2011	Bartteet		
D634,105	S *	3/2011	Cheshire et al.	D2/925
D664,747	S *	8/2012	Ma	D2/917
8,307,571	B1 *	11/2012	Ceylan	36/101

* cited by examiner

Primary Examiner — Dominic Simone
(74) *Attorney, Agent, or Firm* — Crossley Patent Law

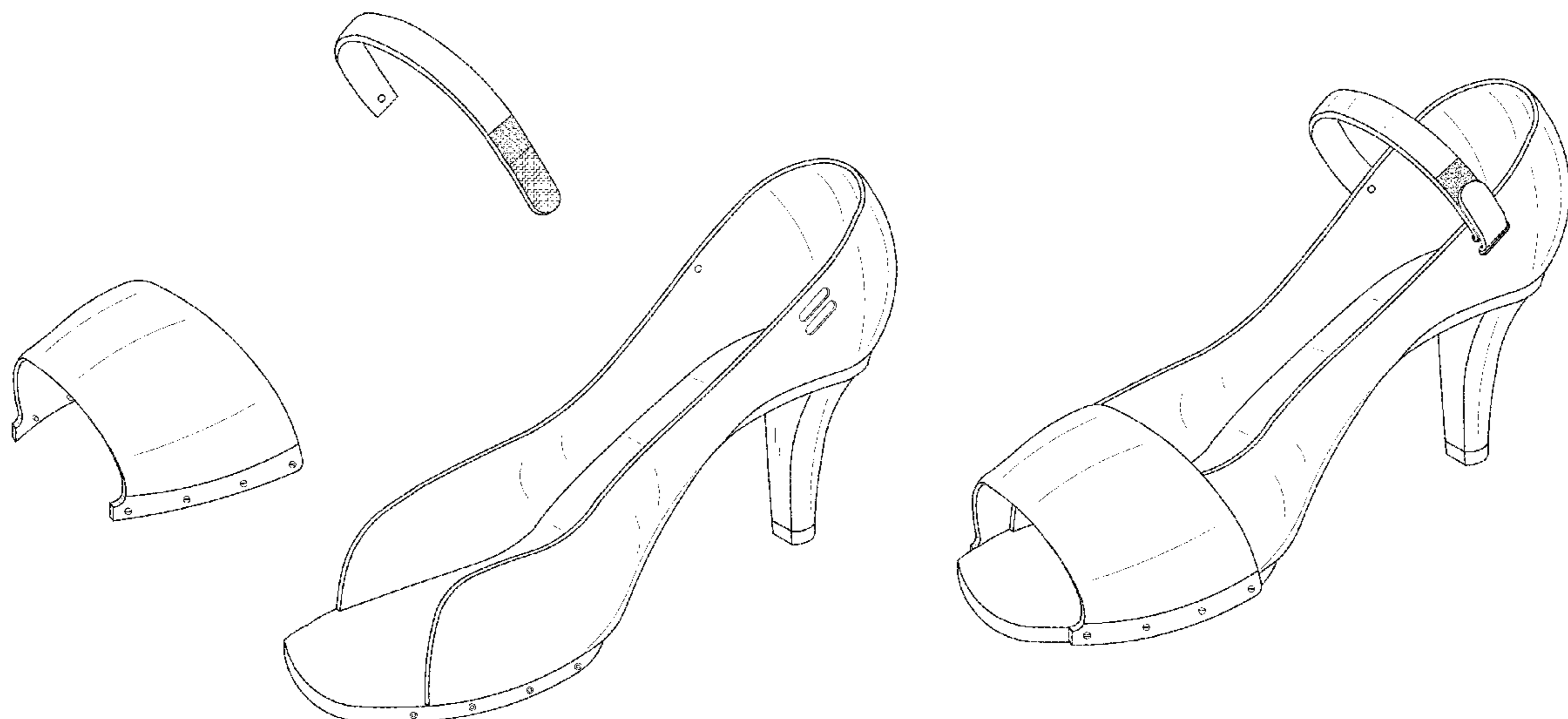
(57) **CLAIM**
The ornamental design for a modular shoe, as shown and described.

DESCRIPTION

FIG. 1 is a right side elevation view of a modular shoe showing my new design;
FIG. 2 is a left side elevation view thereof;
FIG. 3 is a front elevation view thereof;
FIG. 4 is a rear elevation view thereof;
FIG. 5 is a top plan view thereof;
FIG. 6 is a bottom plan view thereof;
FIG. 7 is an isometric view thereof in an unassembled state; and,
FIG. 8 is an isometric view thereof in an assembled state.

1 Claim, 8 Drawing Sheets

- (56) **References Cited**
U.S. PATENT DOCUMENTS
- | | | | | | |
|-----------|-----|---------|-------------|-------|--------|
| 2,493,154 | A * | 1/1950 | Mavrakis | | 36/101 |
| 2,507,120 | A * | 5/1950 | Shapiro | | 36/101 |
| 3,012,340 | A * | 12/1961 | Reinhart | | 36/101 |
| 3,570,147 | A * | 3/1971 | Chiu | | 36/100 |
| 3,890,725 | A | 6/1975 | Lea et al. | | |
| 3,925,915 | A * | 12/1975 | Colli | | 36/101 |
| D253,498 | S * | 11/1979 | Katz | | D2/930 |
| 4,193,214 | A * | 3/1980 | Wang | | 36/100 |
| 4,461,102 | A | 7/1984 | DeVincentis | | |
| D384,495 | S * | 10/1997 | Watson | | D2/916 |



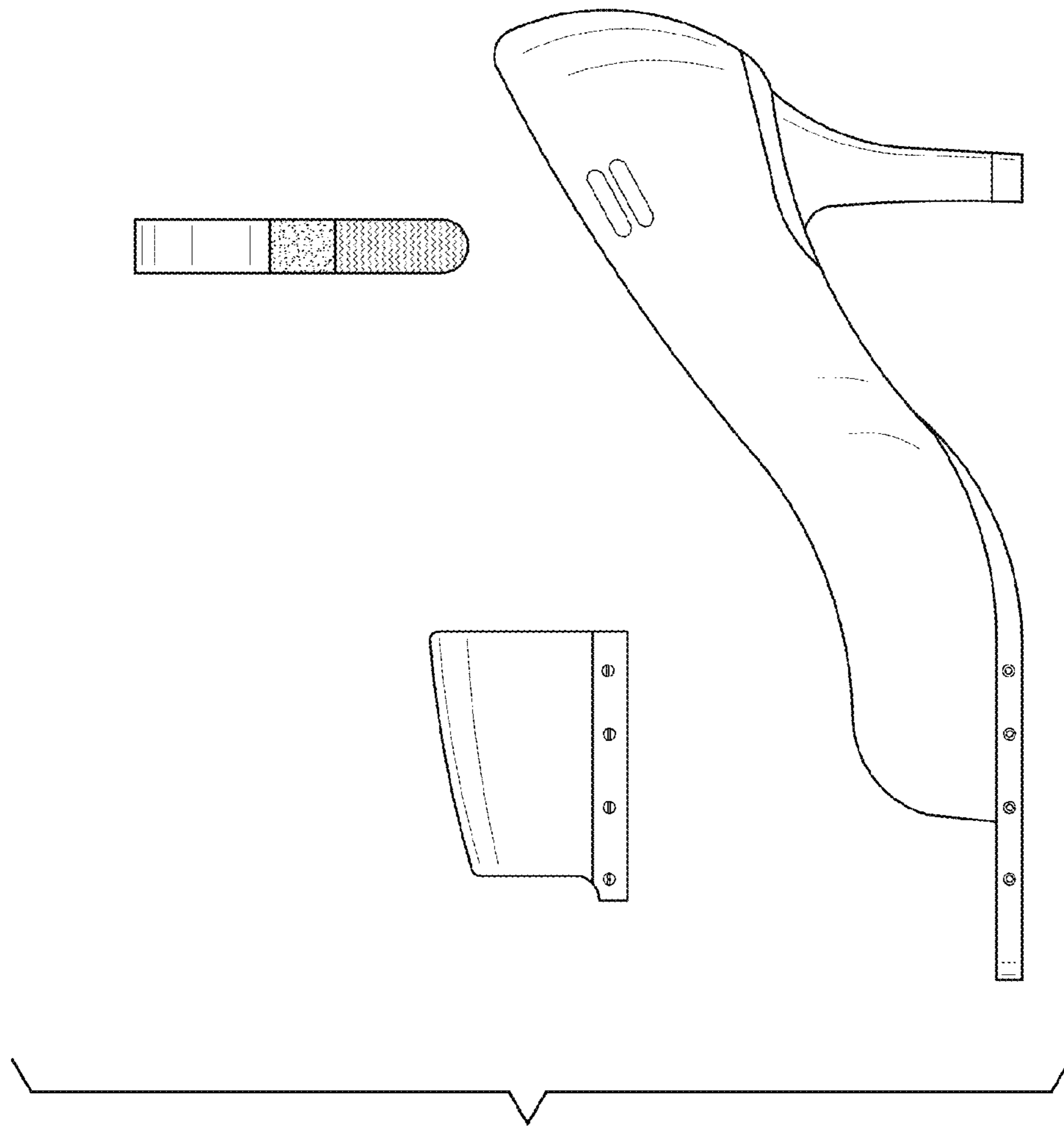


FIG. 1

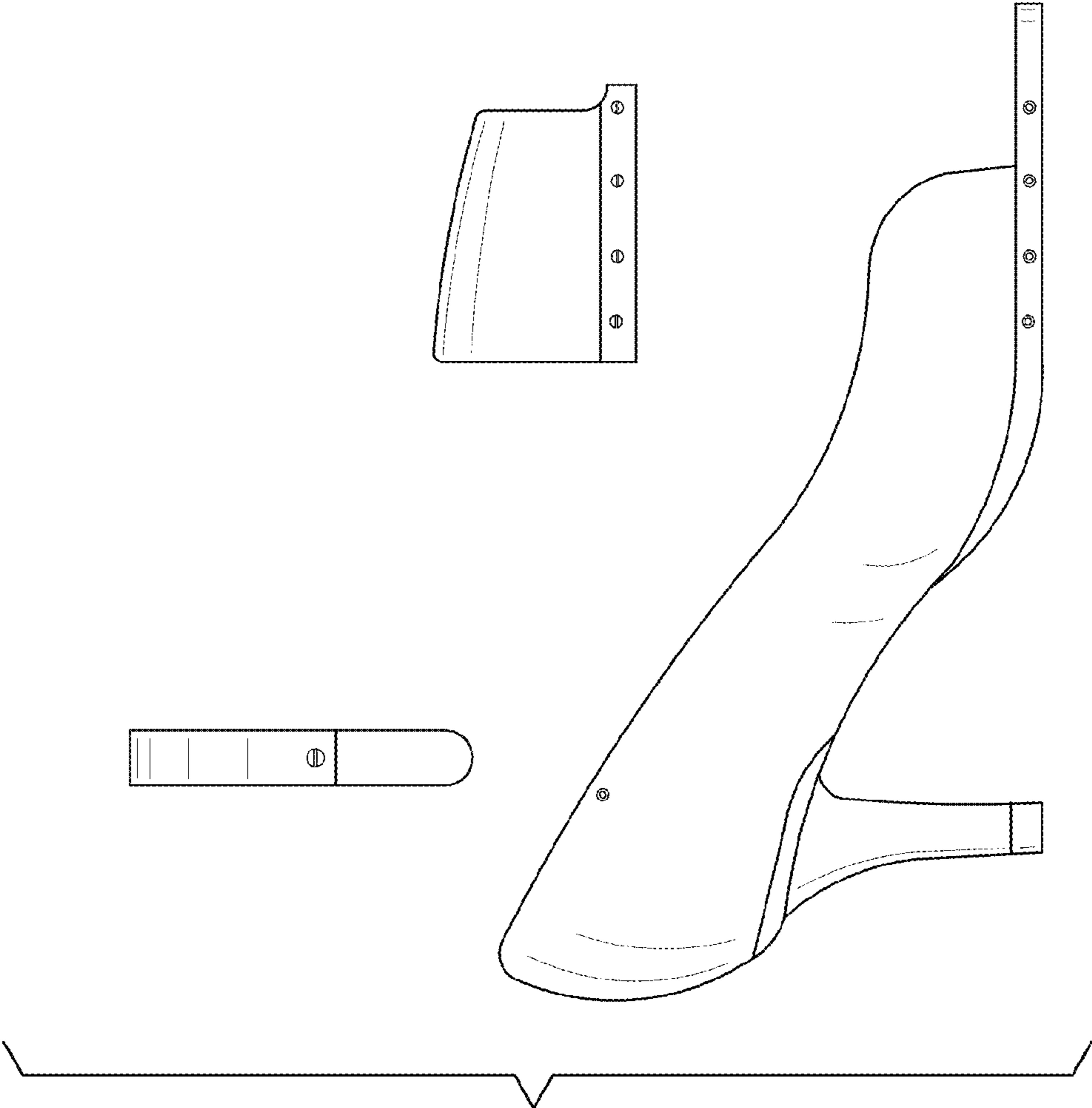


FIG. 2

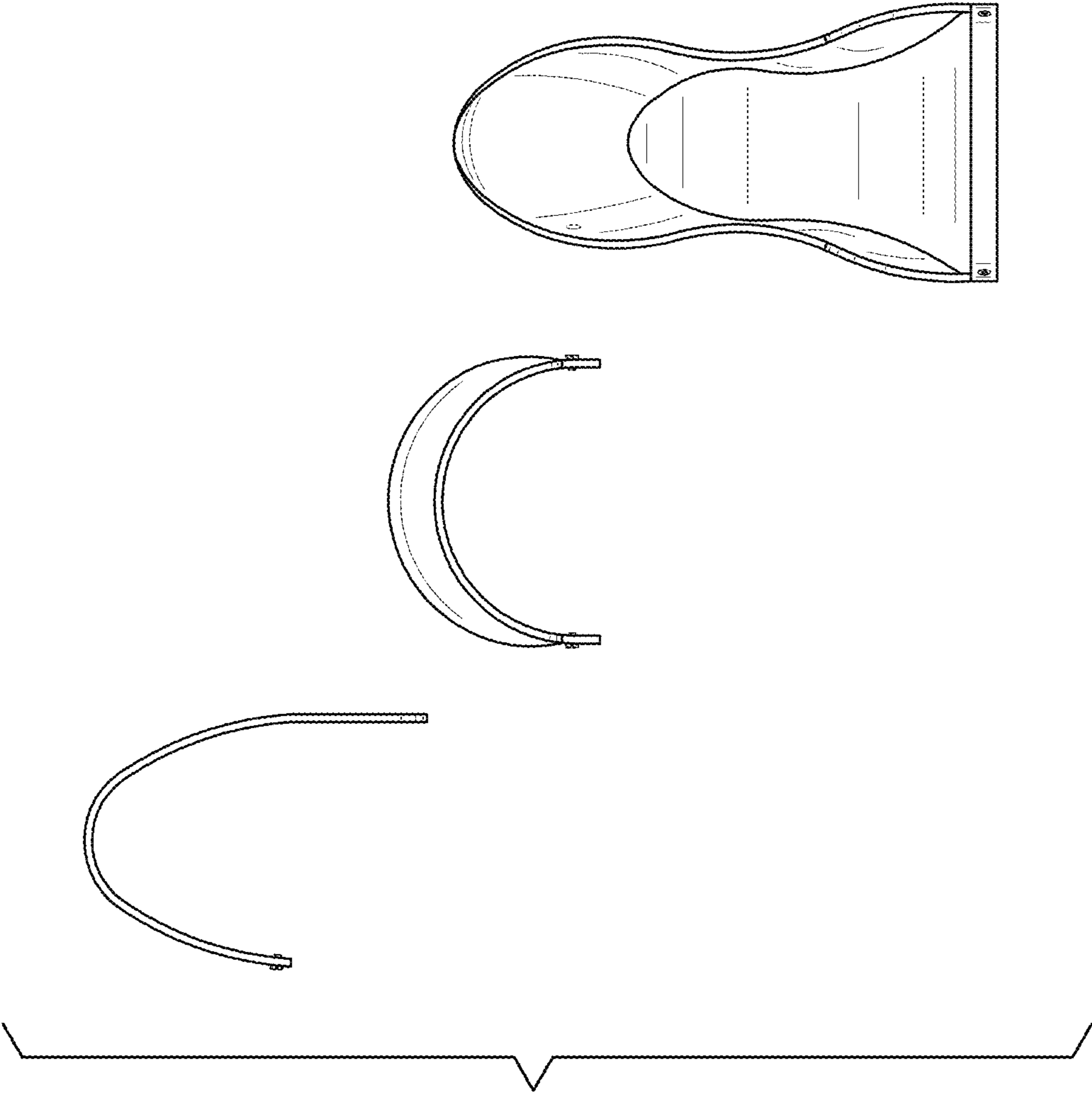


FIG. 3

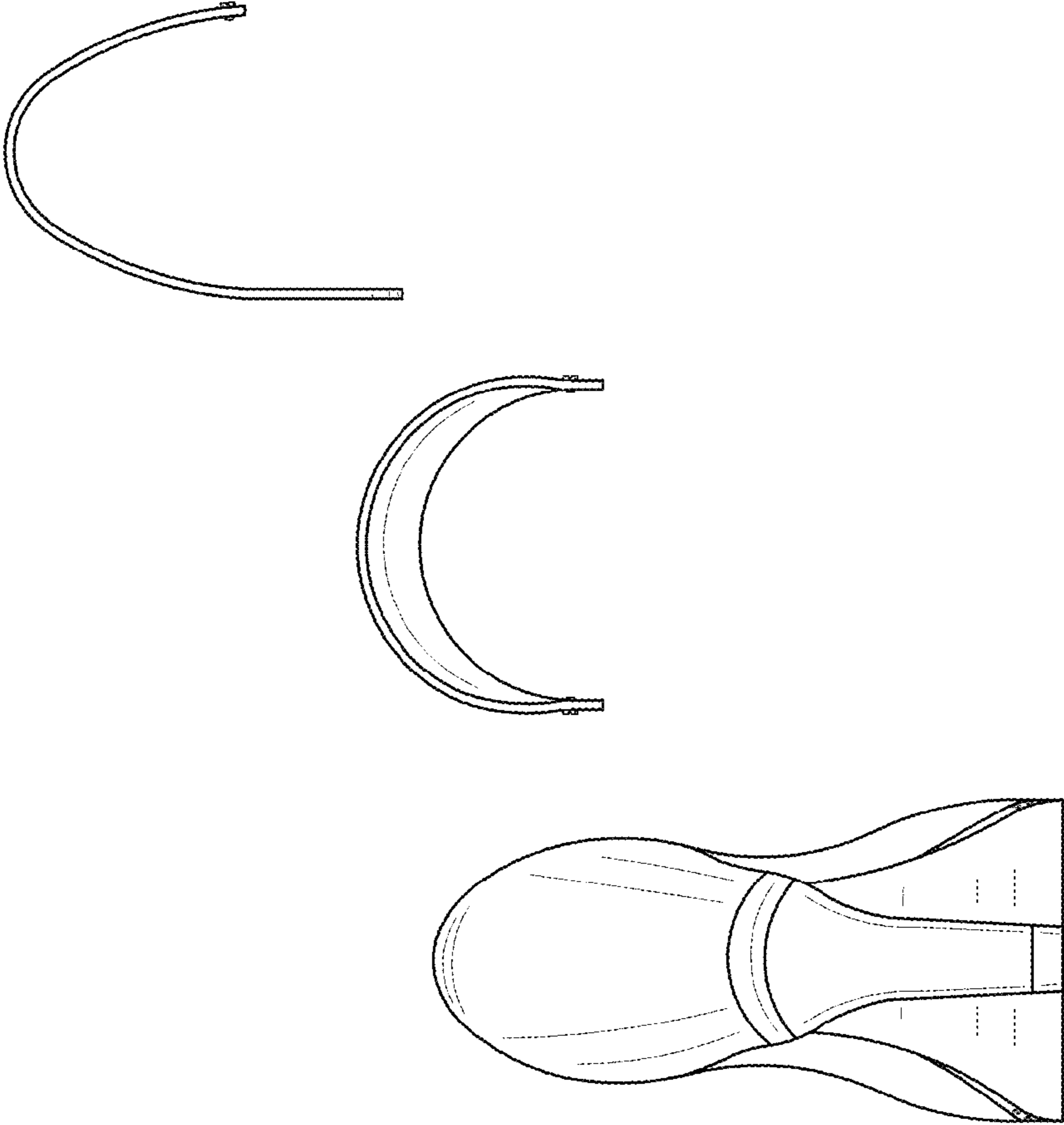


FIG. 4

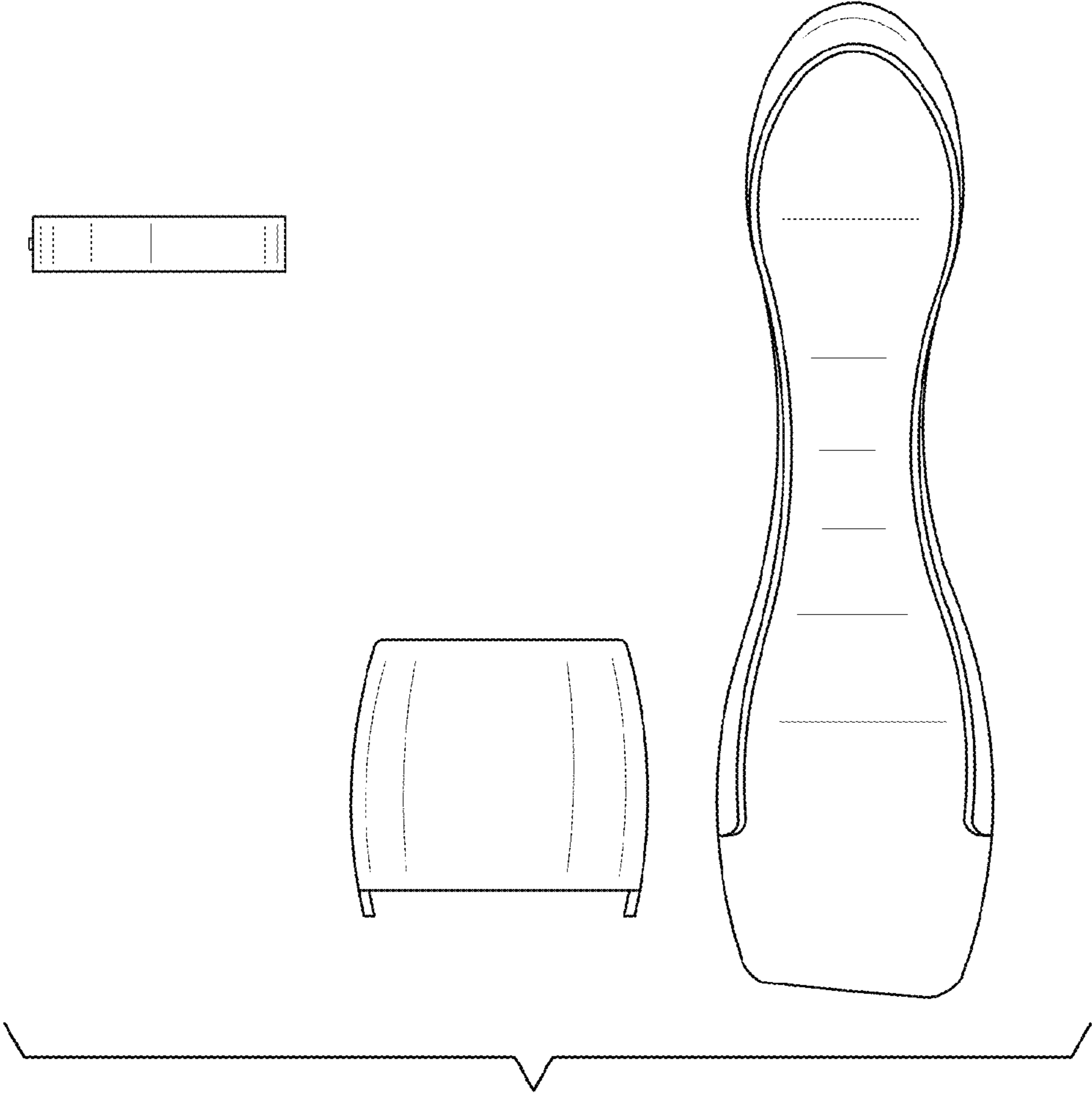


FIG. 5

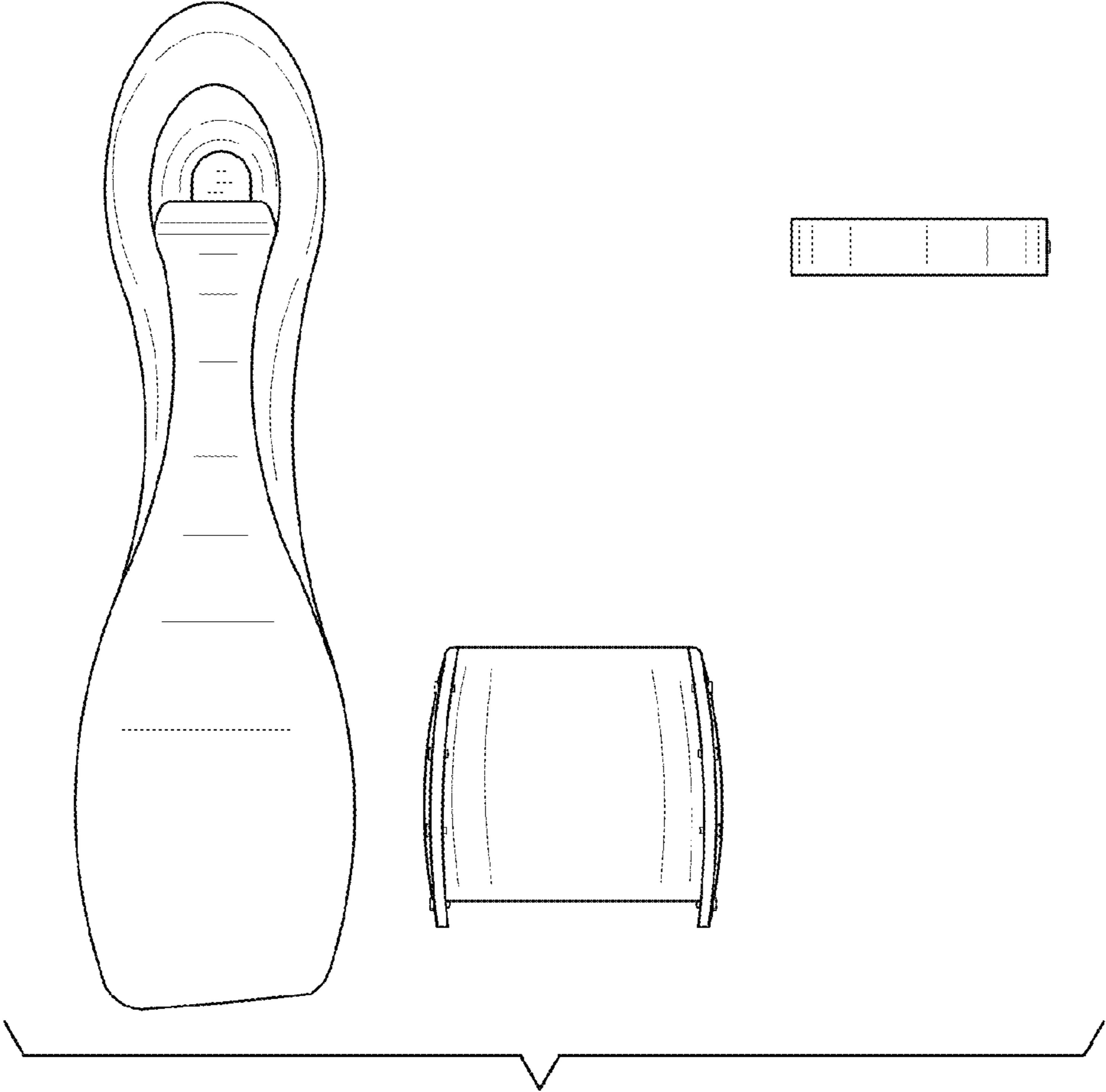


FIG. 6

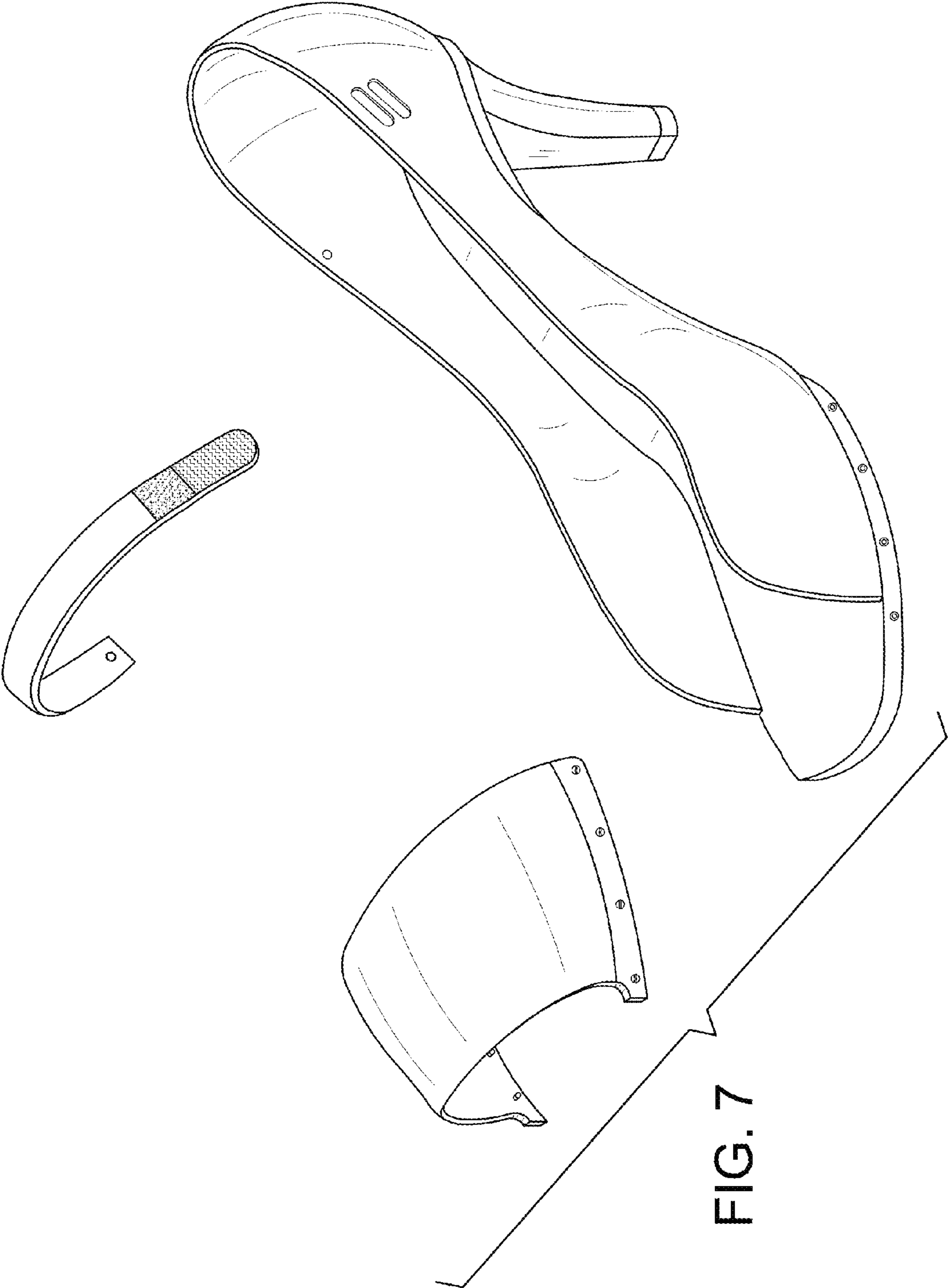


FIG. 7

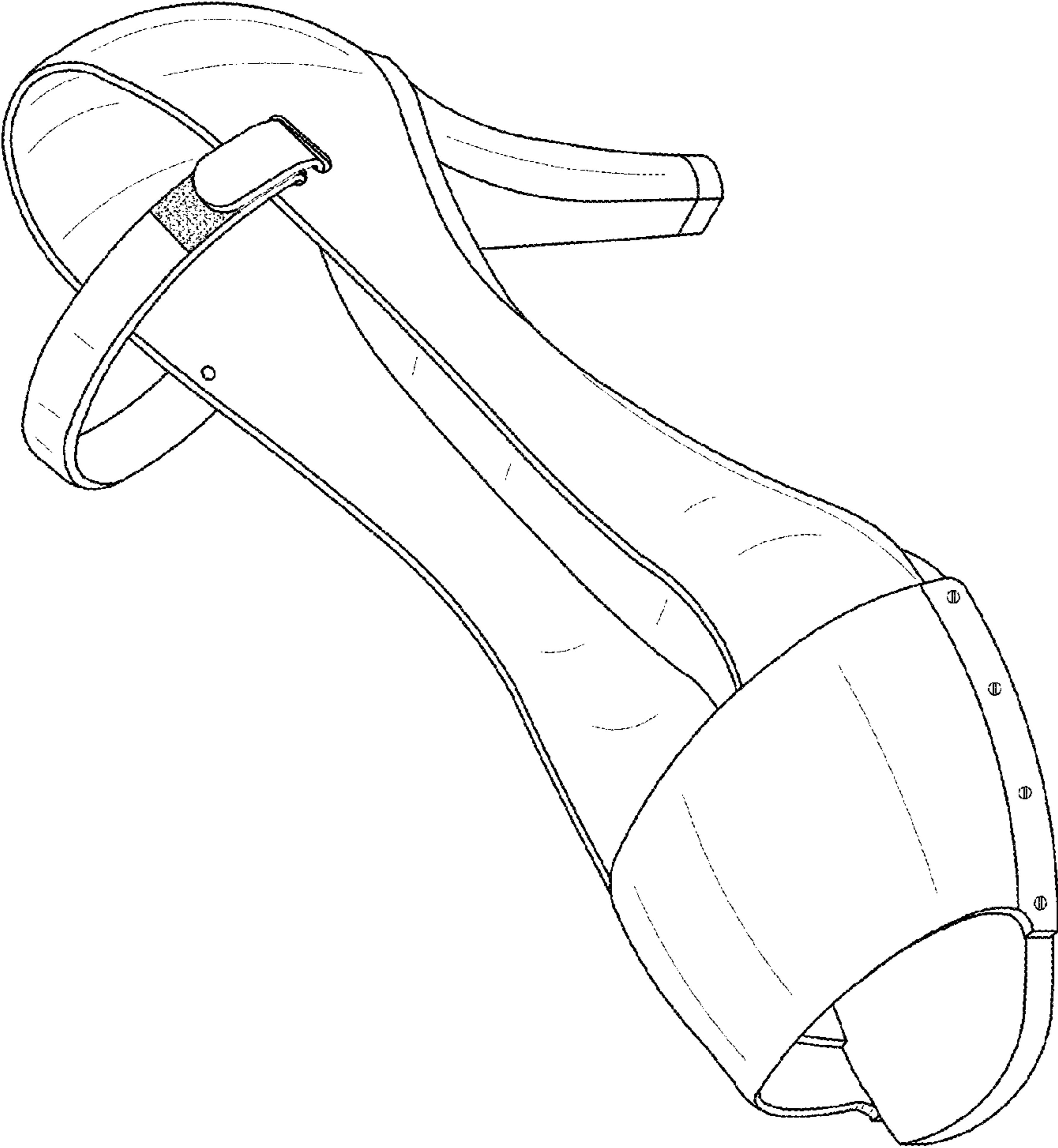


FIG. 8