



US00D730016S

(12) **United States Design Patent**
Murphy et al.

(10) **Patent No.:** **US D730,016 S**
(45) **Date of Patent:** **** May 26, 2015**

(54) **ATHLETIC PANTS**

(71) Applicants: **Stephanie N. Murphy**, Winter Park, FL (US); **Sean T. Murphy**, Winter Park, FL (US); **Jessica Bacon**, New York, NY (US)

(72) Inventors: **Stephanie N. Murphy**, Winter Park, FL (US); **Sean T. Murphy**, Winter Park, FL (US); **Jessica Bacon**, New York, NY (US)

(**) Term: **14 Years**

(21) Appl. No.: **29/454,915**

(22) Filed: **May 15, 2013**

(51) **LOC (10) Cl.** **02-02**

(52) **U.S. Cl.**
USPC **D2/738**

(58) **Field of Classification Search**
CPC A41D 1/00; A41D 1/06; A41D 1/062; A41D 1/067; A41D 1/08; A41D 1/082; A41D 1/084; A41D 1/086; A41D 1/088; A41D 17/02; A41D 2600/10
USPC D2/704, 712, 731, 738, 742, 743, 744, D2/745, 746, 747, 748
See application file for complete search history.

(56) **References Cited**

U.S. PATENT DOCUMENTS

D35,399	S	*	12/1901	Scriven	D2/712
D300,383	S	*	3/1989	Yasuda	D2/742
D418,966	S	*	1/2000	Walsh	D2/712
D532,958	S	*	12/2006	Kent	D2/742
7,500,274	B1	*	3/2009	Kallen	2/227
D641,134	S	*	7/2011	Zarabi	D2/712
D683,107	S	*	5/2013	McLaren et al.	D2/742
D688,032	S	*	8/2013	Harte et al.	D2/742
D693,989	S	*	11/2013	Tanaka et al.	D2/742
2008/0189834	A1	*	8/2008	Leung	2/406
2013/0316617	A1	*	11/2013	Freddi et al.	450/95
2014/0005010	A1	*	1/2014	Kaminsky	482/105
2014/0053322	A1	*	2/2014	Zamler	2/407

OTHER PUBLICATIONS

[Online] http://s7d9.scene7.com/is/image/JCPenney/DP0126201517021051M.tif?wid=180&hei=180&op_usm=.4,8,0,0&resmode=sharp 2. Retrieved Apr. 1, 2015.*
[Online] <http://shop.lululemon.com/products/clothes-accessories/crops-run/Mesh-With-Me-Crop-Luxtreme?cc=17835&skuId=3595792&catId=crops-run>. Retrieved Apr. 1, 2015.*

* cited by examiner

Primary Examiner — Jennifer Rivard

Assistant Examiner — Melanie Pellegrini

(74) *Attorney, Agent, or Firm* — Allen, Dyer, Doppelt, Milbrath & Gilchrist, P.A.

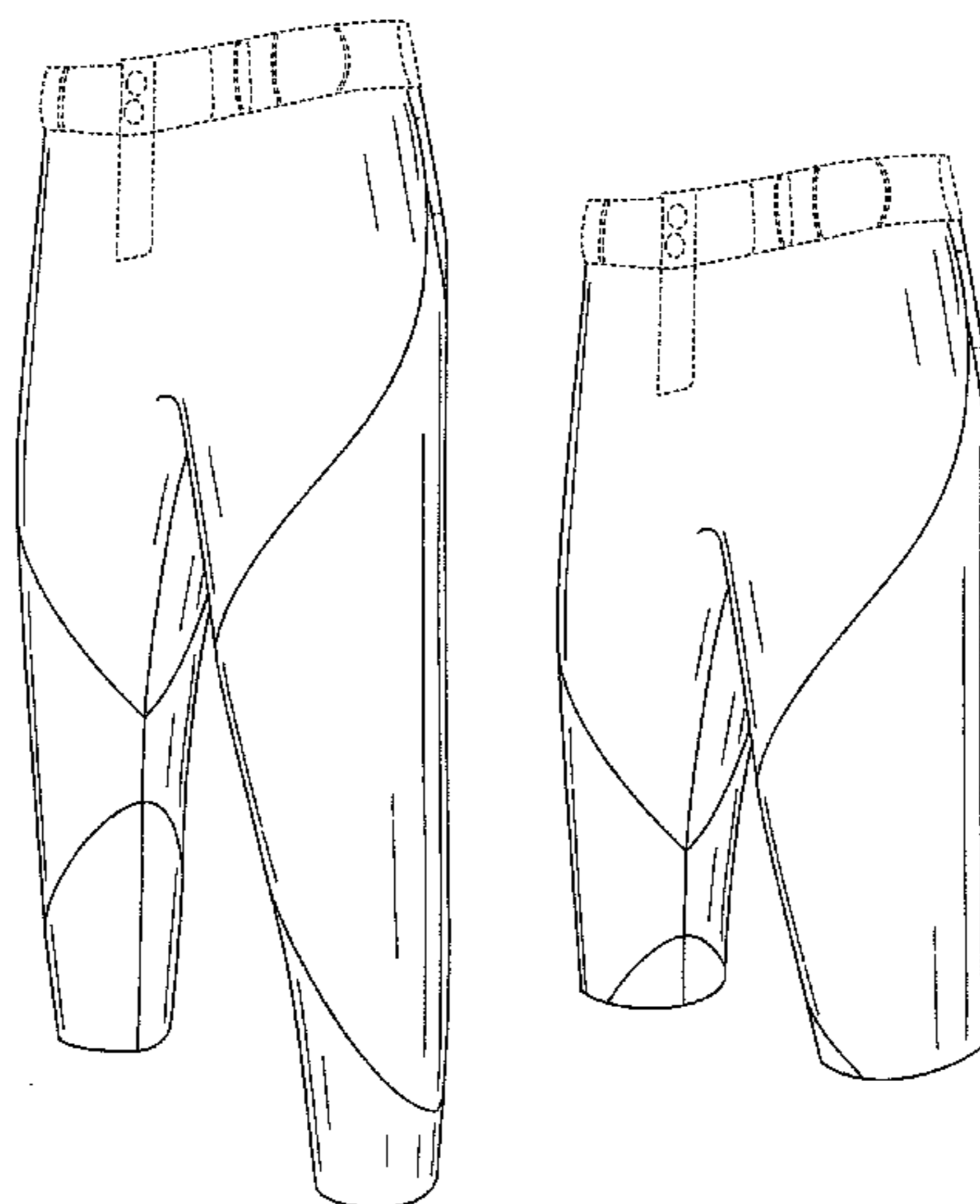
(57) **CLAIM**

The ornamental design for athletic pants, as shown and described.

DESCRIPTION

FIG. 1 is a perspective view of a first embodiment of the design;
FIG. 2 is a front view of the first embodiment of FIG. 1;
FIG. 3 is a rear view of the embodiment of FIG. 1;
FIG. 4 is a left side view of the embodiment of FIG. 1, in which the opposing right side is a mirror image thereof;
FIG. 5 is a top view of the embodiment of FIG. 1;
FIG. 6 is a bottom view of the embodiment of FIG. 1;
FIG. 7 is a perspective view of a second embodiment of athletic pants according to this invention;
FIG. 8 is a front view of the embodiment of FIG. 7;
FIG. 9 is a rear view of the embodiment of FIG. 7;
FIG. 10 is a left side view of the embodiment of FIG. 7 in which the opposing right side is a mirror image thereof;
FIG. 11 is a top view of the second embodiment of FIG. 7; and,
FIG. 12 is a bottom view of the embodiment of FIG. 7.
The broken lines shown in the drawings illustrate portions of the athletic pants that form no part of the claimed design.

1 Claim, 10 Drawing Sheets



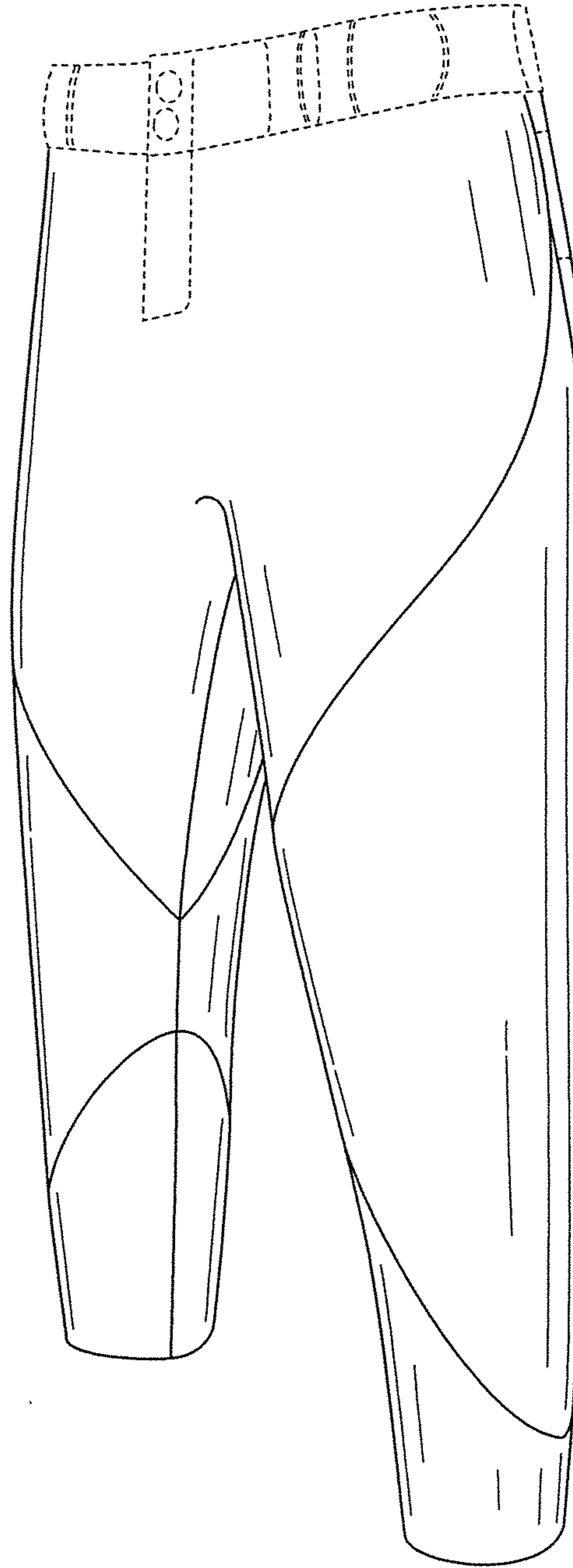


FIG. 1

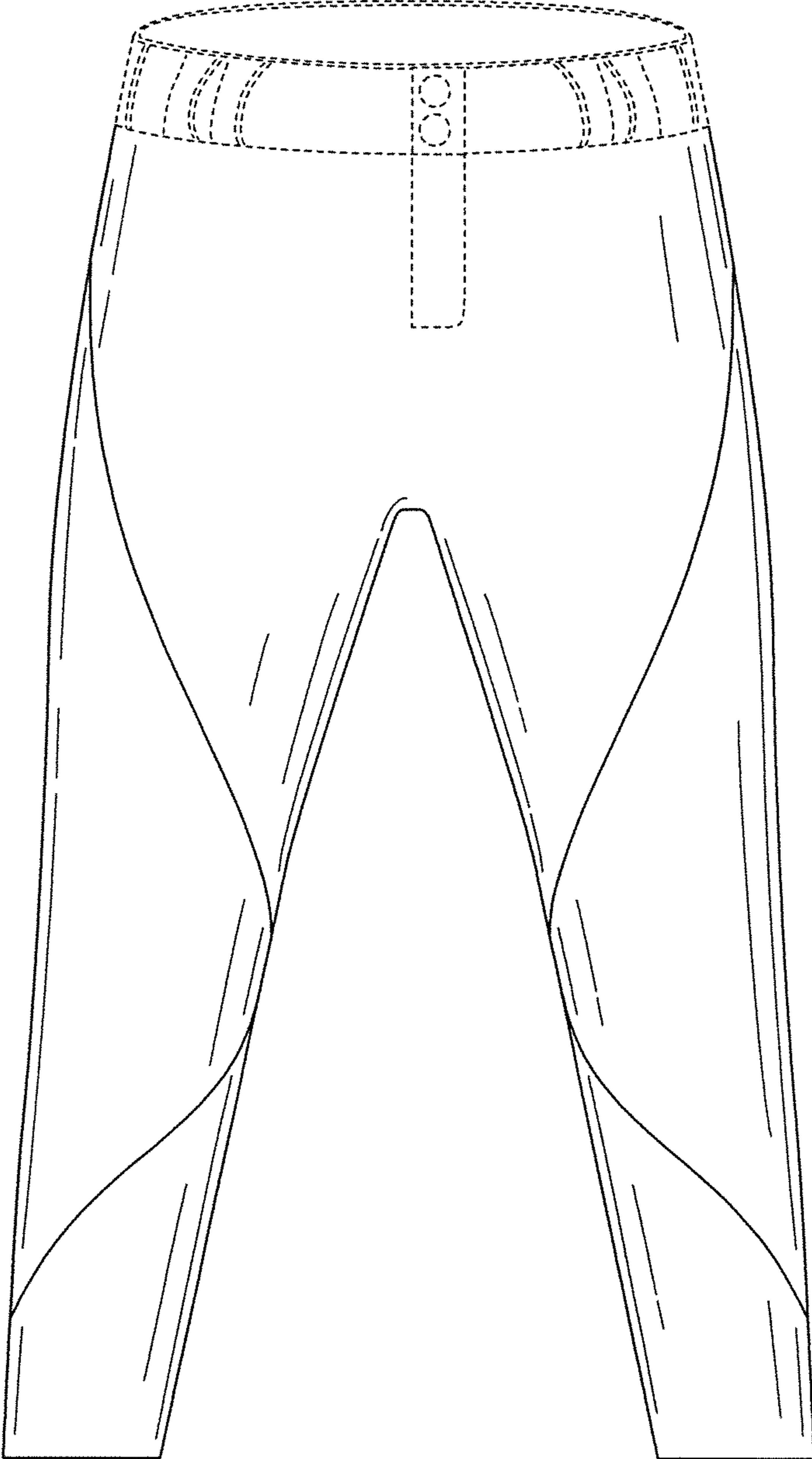


FIG. 2



FIG. 3

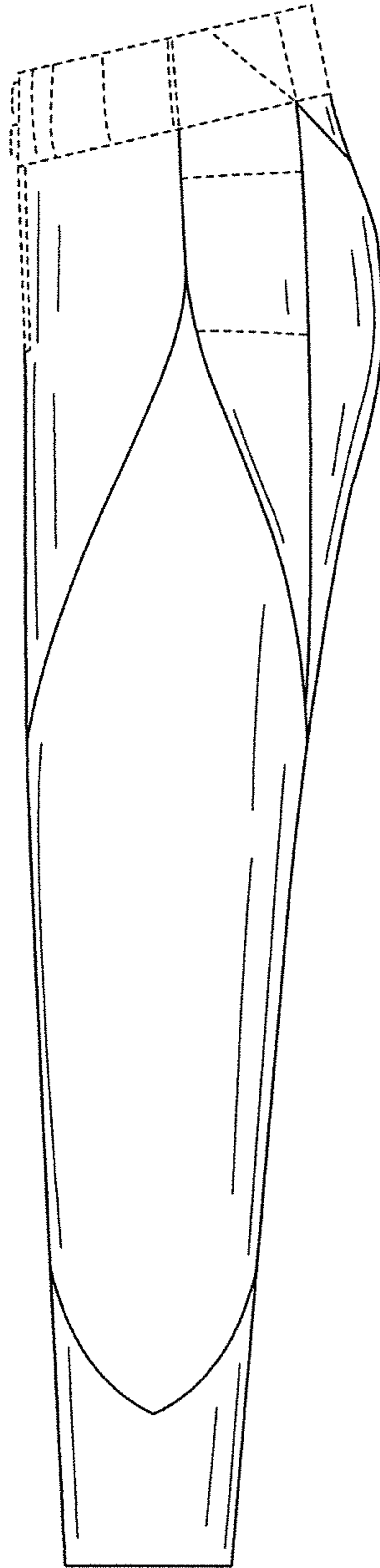


FIG. 4

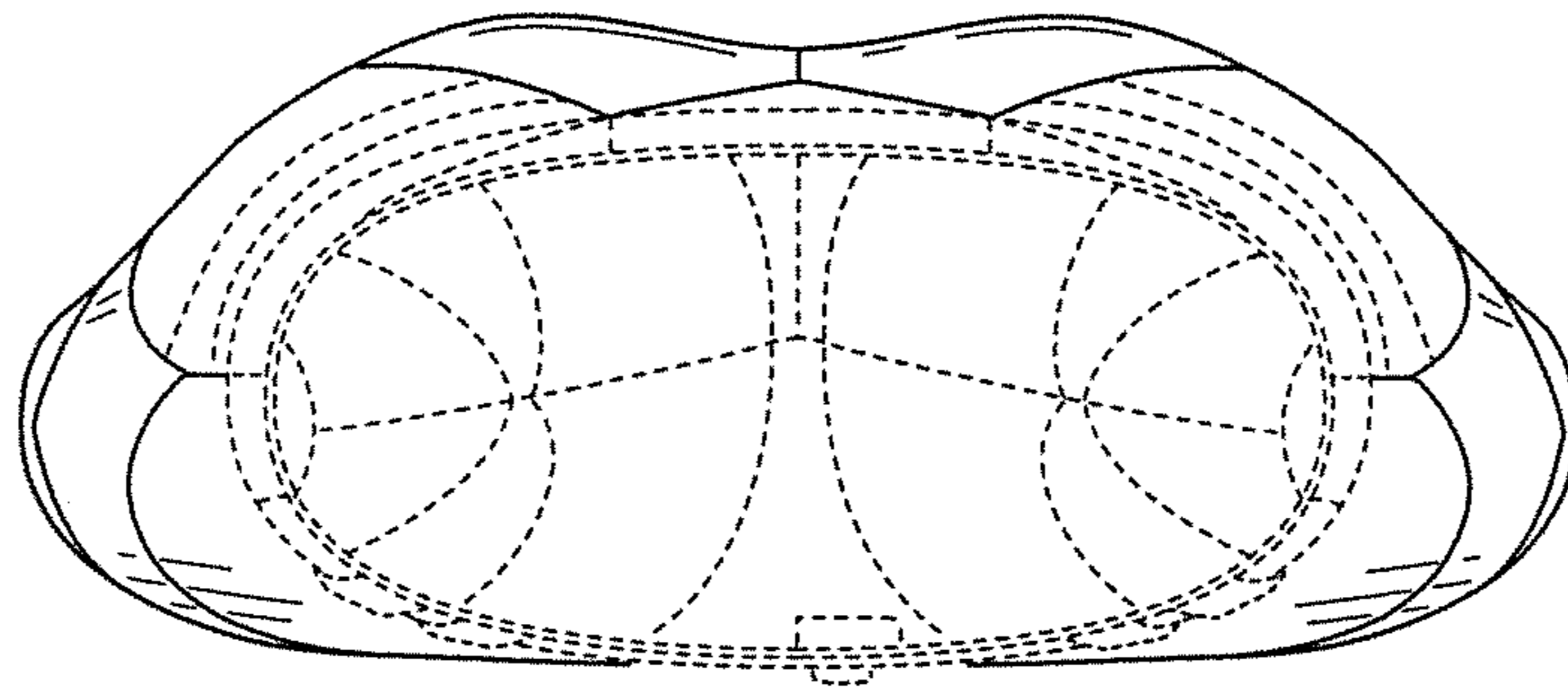


FIG. 5

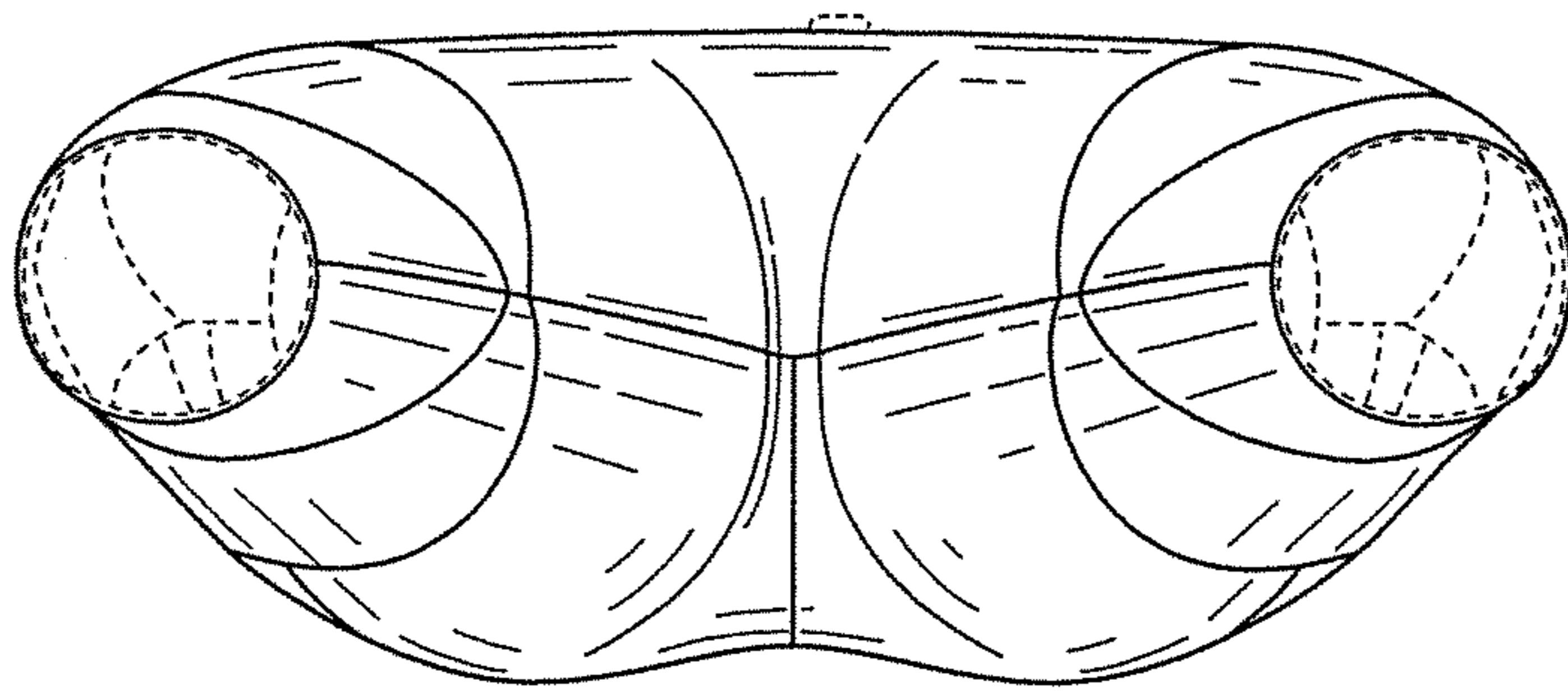


FIG. 6



FIG. 7

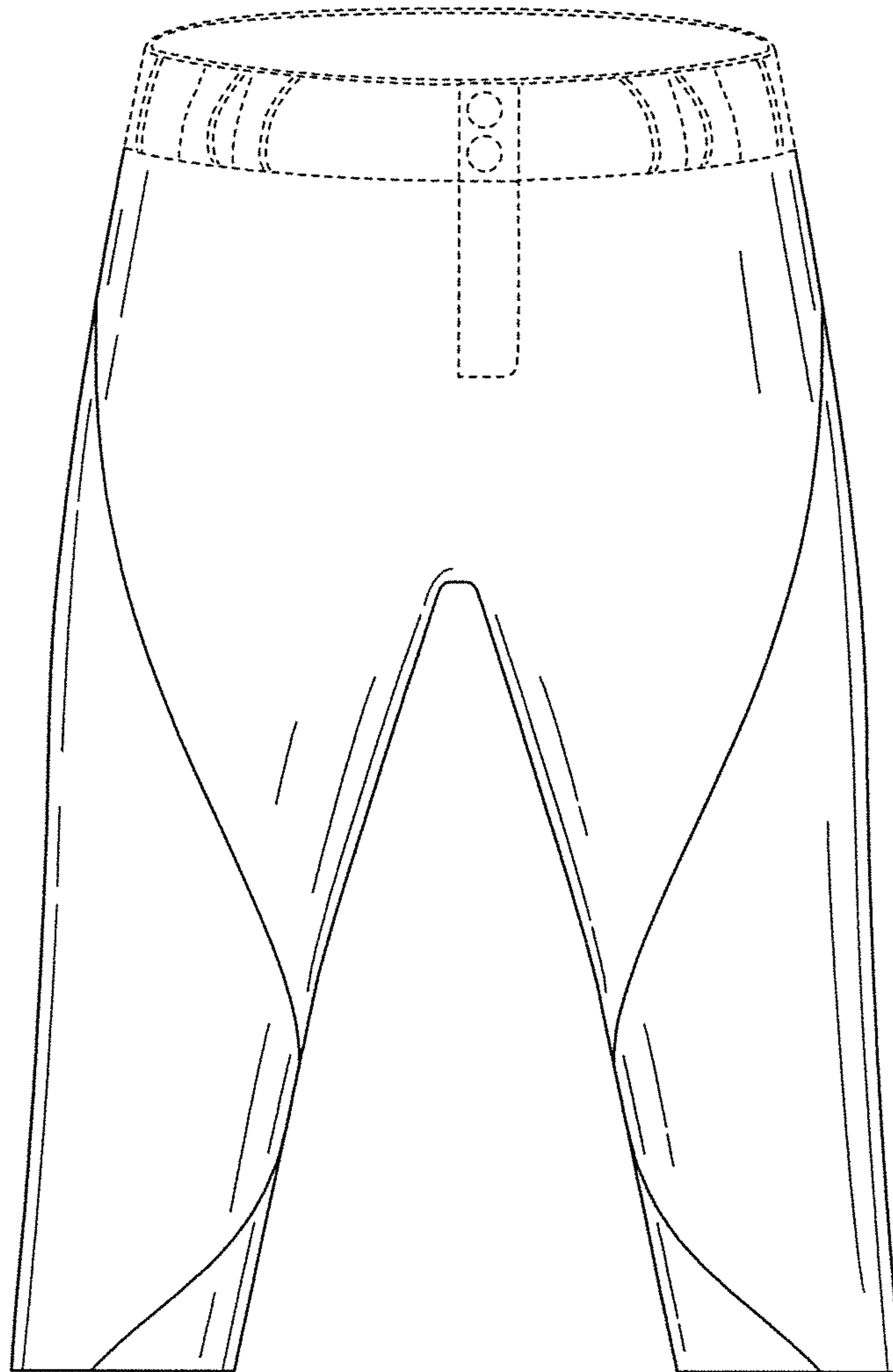


FIG. 8

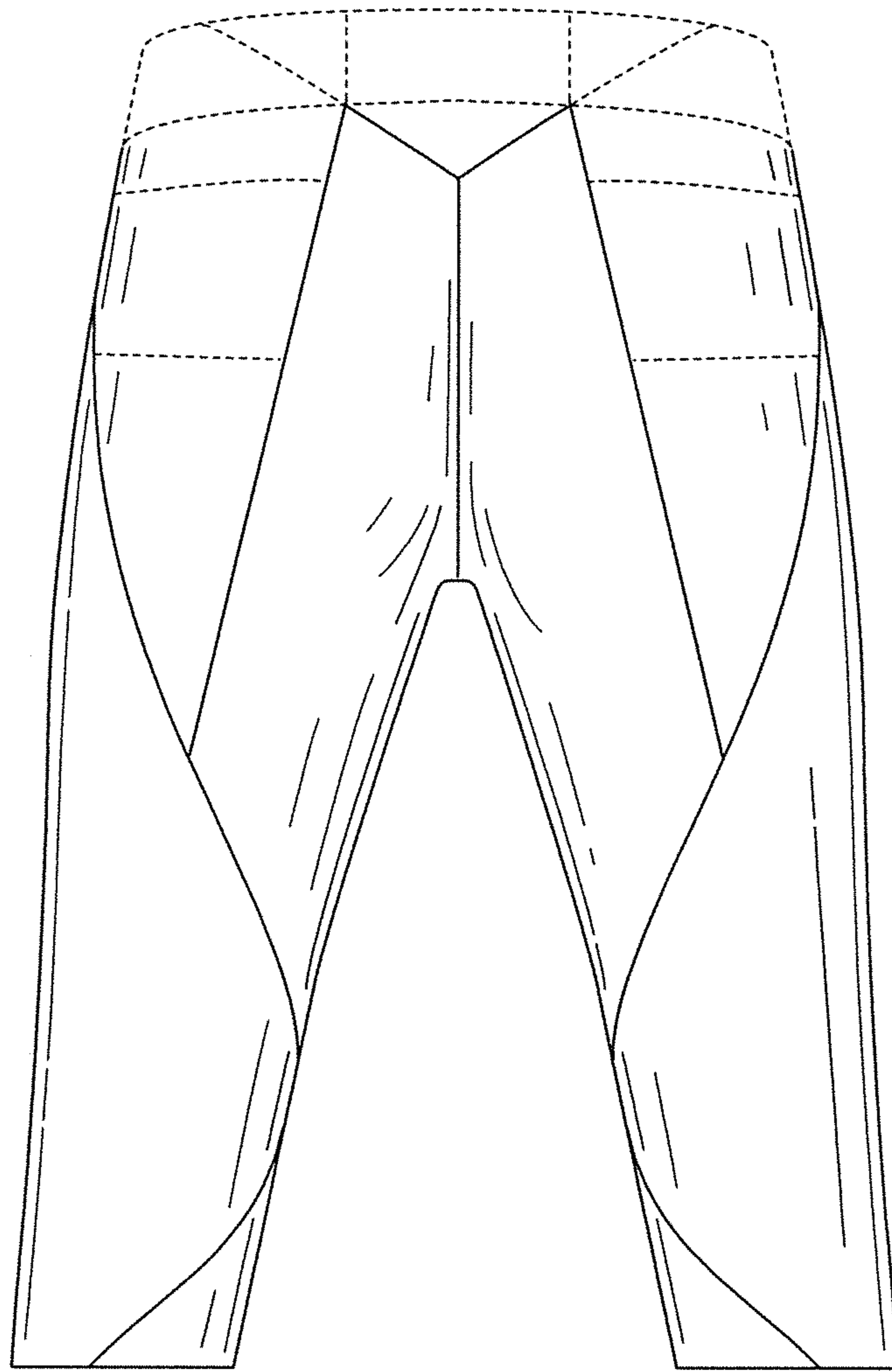


FIG. 9

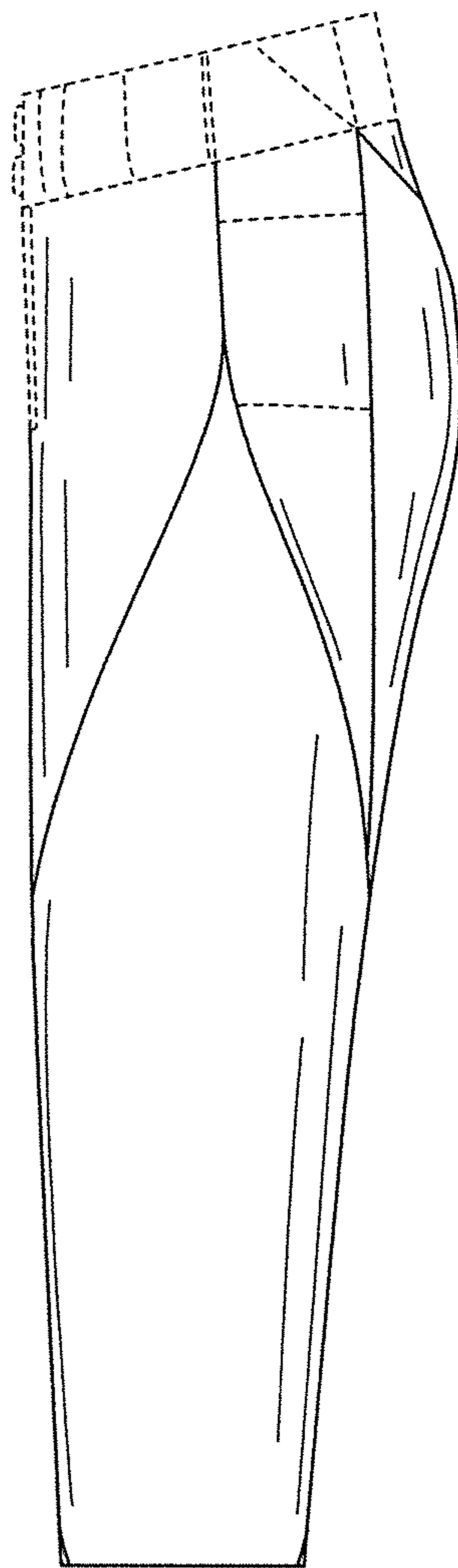


FIG. 10

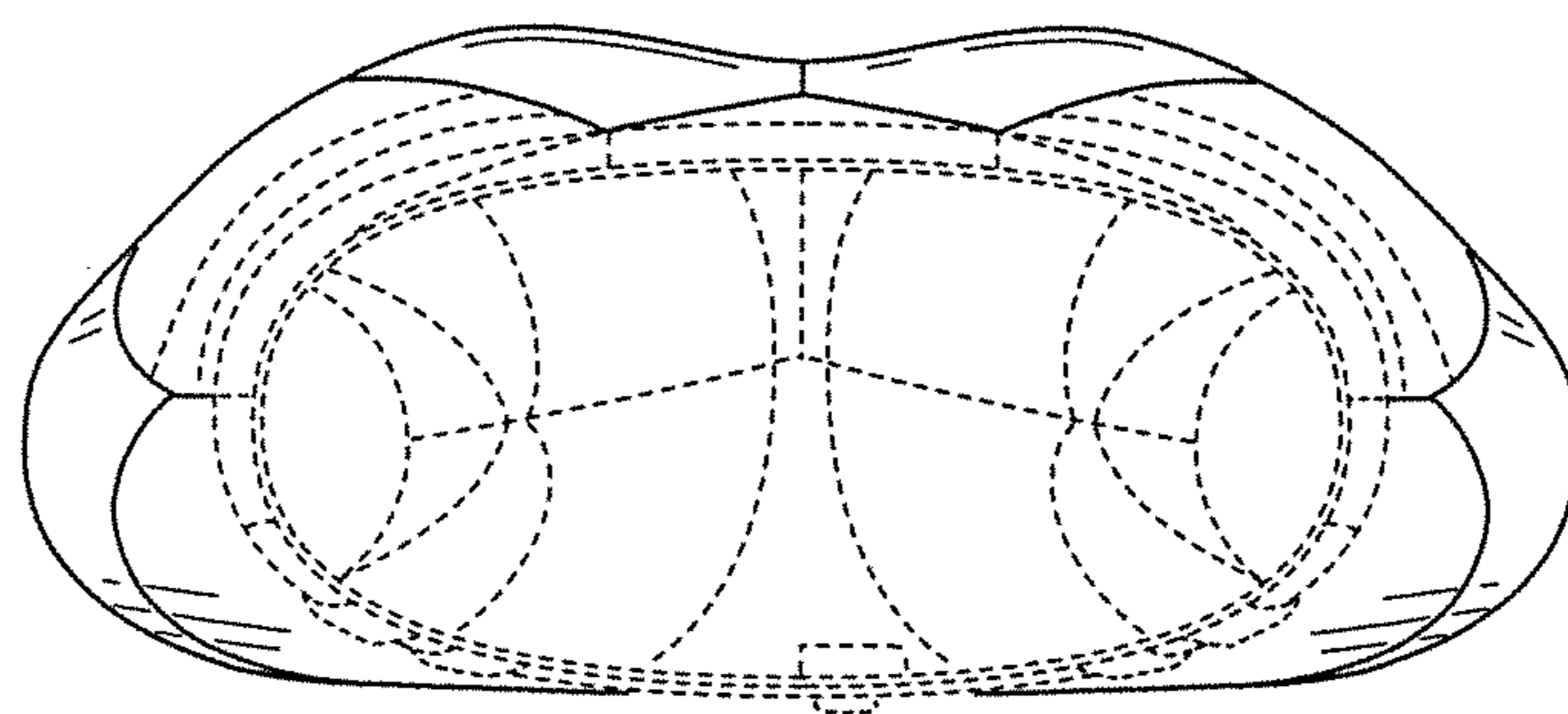


FIG. 11

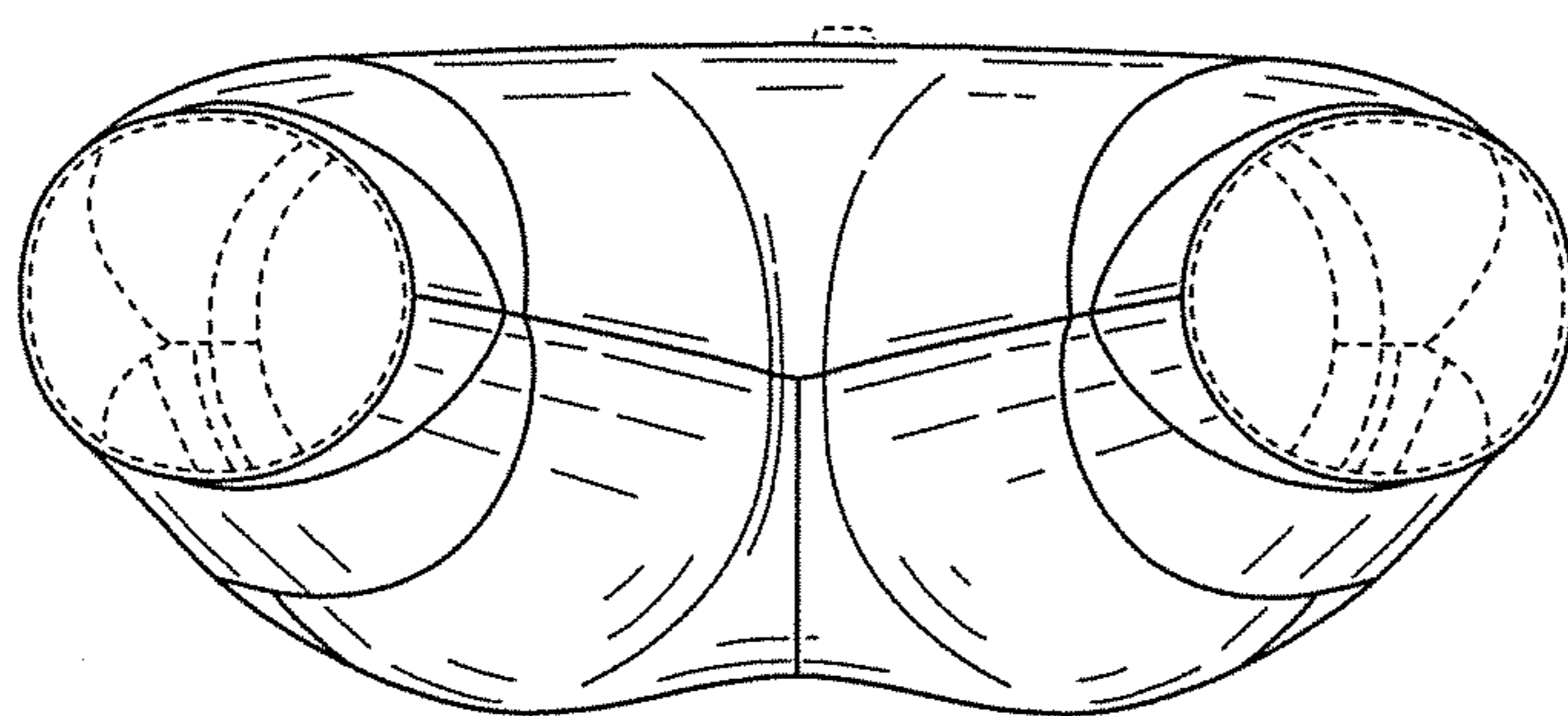


FIG. 12