



US00D730015S

(12) **United States Design Patent**
Osiecki et al.

(10) **Patent No.:** **US D730,015 S**
(45) **Date of Patent:** **** May 19, 2015**

- (54) **FIRE-RESISTANT FILE CHEST**
- (71) Applicant: **John D. Brush & Co., Inc.**, Rochester, NY (US)
- (72) Inventors: **Scott W. Osiecki**, Skaneateles, NY (US);
Donwoong Kang, Camillus, NY (US)
- (73) Assignee: **John D. Brush & Co., Inc.**, Rochester, NY (US)
- (**) Term: **14 Years**
- (21) Appl. No.: **29/452,934**
- (22) Filed: **Apr. 23, 2013**
- (51) **LOC (10) Cl.** **99-00**
- (52) **U.S. Cl.**
USPC **D99/28**
- (58) **Field of Classification Search**
CPC E05B 65/0075; F42B 39/00; F42B 39/002;
F42B 39/14; F42B 39/18; F42B 39/24;
F42B 39/22; F42B 39/20; F42B 39/26;
E05G 1/00; E05G 1/005; E05G 1/024; E05G
5/00; E05G 2700/00; E05G 2700/02; E05G
2700/04; E05G 5/02; G07D 11/0006; G07D
11/0009; G07D 9/002; G07D 9/004; G07D
9/008; G07D 11/009; G07F 9/06; G07F
9/003; G07F 17/10; G07F 17/12; F41C 33/00;
F41C 33/06; A47B 81/00; A47B 81/005
USPC D99/28, 34, 35, 36, 43, 99; 109/1 R, 1 V,
109/2, 45; 902/9, 30; 235/100; 206/317,
206/527, 235; 312/400, 409
See application file for complete search history.

(56) **References Cited**

U.S. PATENT DOCUMENTS

- 2,781,897 A * 2/1957 Dale 206/317
- 3,138,306 A * 6/1964 Bare 206/317
- 4,541,545 A 9/1985 Beattie et al.

- 4,788,838 A * 12/1988 Cislo 70/63
- D302,491 S 8/1989 Brush, Jr. et al.
- 4,890,466 A * 1/1990 Cislo 70/63
- 5,009,088 A * 4/1991 Cislo 70/63
- 5,069,358 A 12/1991 Avery, Jr.
- 5,295,447 A 3/1994 Robbins et al.
- 5,377,514 A * 1/1995 Robbins et al. 70/452
- 6,260,300 B1 * 7/2001 Klebes et al. 42/70.11
- 6,269,966 B1 8/2001 Pallo et al.
- 6,405,861 B1 * 6/2002 Siler et al. 206/317
- 6,488,148 B1 * 12/2002 Woodson 206/317
- D474,596 S 5/2003 Osiecki et al.
- 6,601,680 B2 * 8/2003 Japchen 190/120
- 6,752,092 B2 6/2004 Beattie et al.
- 6,843,081 B1 * 1/2005 Painter 70/63
- 7,004,365 B2 * 2/2006 Ingram 224/401
- 7,025,203 B2 * 4/2006 Schonenbach 206/317
- 7,063,737 B2 * 6/2006 Tilby et al. 206/317
- 7,116,224 B2 * 10/2006 Mickler 340/568.1

(Continued)

Primary Examiner — Elizabeth J Oswecki

(74) *Attorney, Agent, or Firm* — Woods Oviatt Gilman LLP;
Dennis B. Danella, Esq.

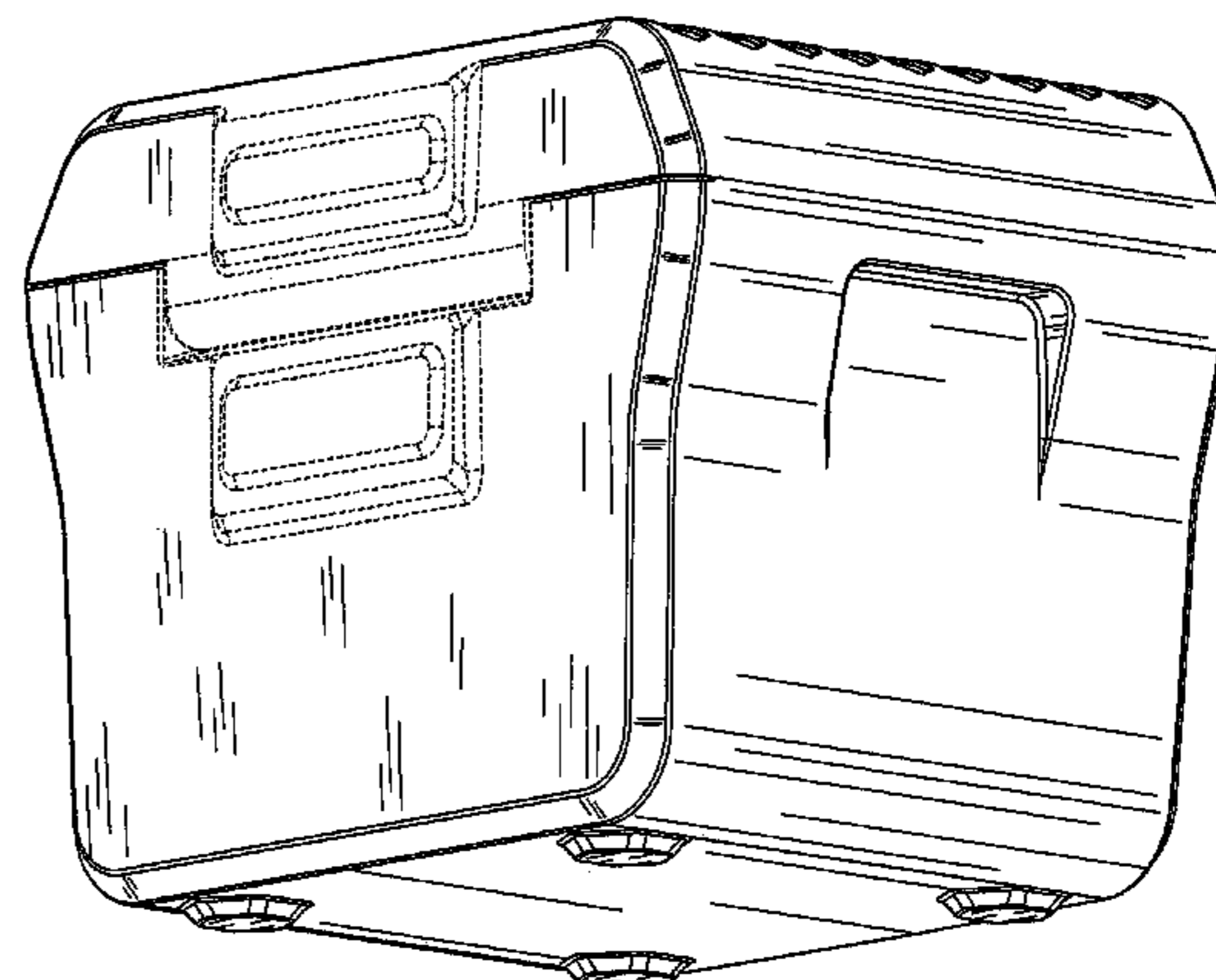
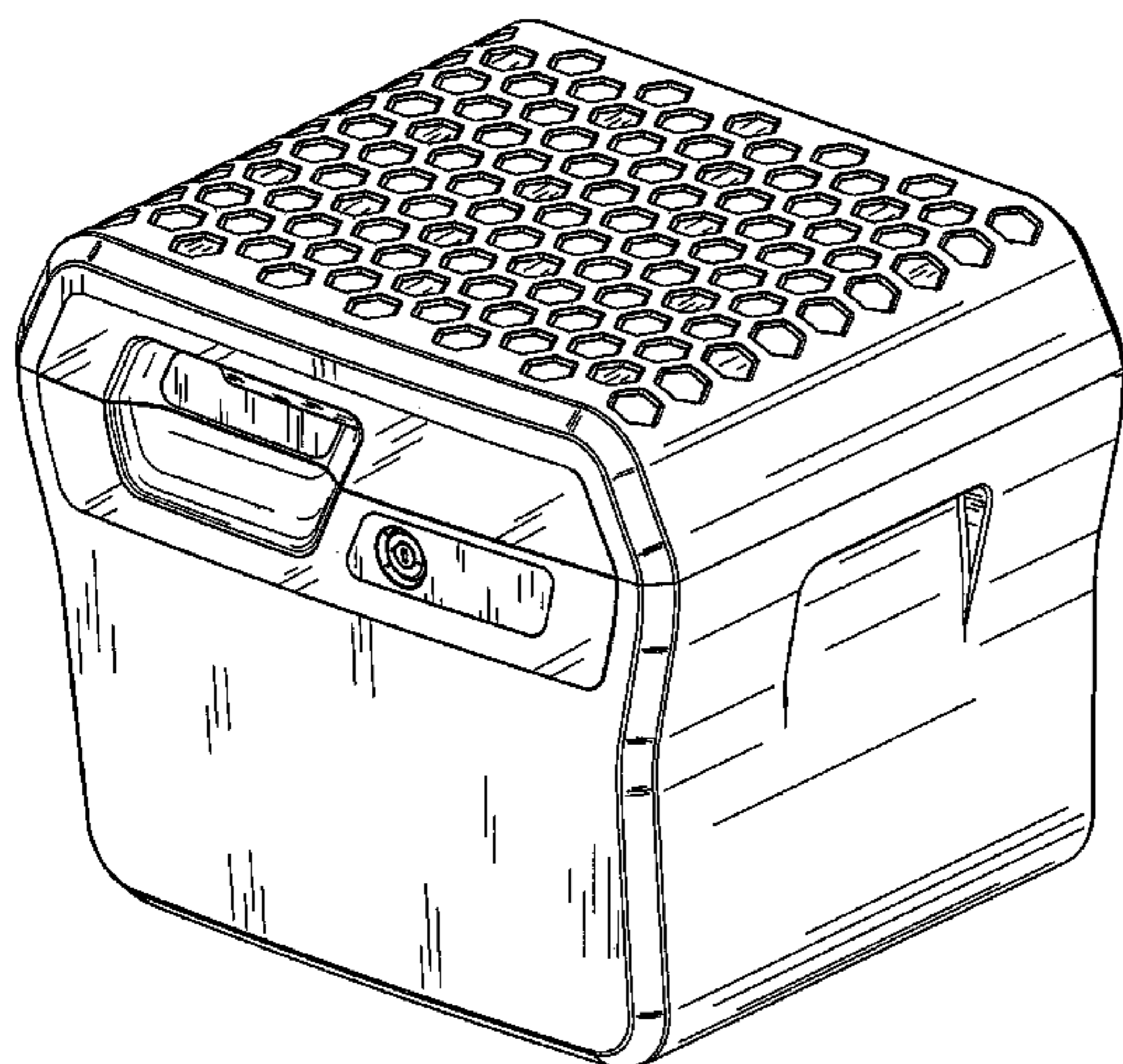
(57) **CLAIM**

The ornamental design for a fire-resistant file chest, as shown and described.

DESCRIPTION

FIG. 1 is a front perspective view of a fire resistant file chest showing our new design;
 FIG. 2 is a front view thereof;
 FIG. 3 is a right side view thereof;
 FIG. 4 is a left side view thereof;
 FIG. 5 is a top view thereof;
 FIG. 6 is a bottom view thereof;
 FIG. 7 is a back view thereof; and,
 FIG. 8 is a back perspective view thereof.
 The portions of the drawings shown in broken lines form no part of the claimed design.

1 Claim, 8 Drawing Sheets



(56)

References Cited

U.S. PATENT DOCUMENTS

7,159,711 B1 *	1/2007	Gardner	206/317	D571,524 S	6/2008	Kang et al.	
D541,045 S *	4/2007	Peart et al.	D3/291	D572,425 S *	7/2008	Themistos	D99/28
D542,529 S *	5/2007	Peart et al.	D3/276	7,451,872 B1 *	11/2008	Allen	206/315.11
D558,977 S *	1/2008	Peart et al.	D3/294	7,546,920 B1 *	6/2009	Horn et al.	206/317
D561,994 S *	2/2008	Peart et al.	D3/291	D624,275 S *	9/2010	Min	D99/28
7,325,681 B2 *	2/2008	Schonenbach	206/317	D631,225 S *	1/2011	Plato	D99/28
D569,073 S	5/2008	Osiecki et al.		D635,324 S *	3/2011	Plato	D99/28
D570,074 S *	5/2008	Osiecki et al.	D99/28	8,074,477 B1 *	12/2011	Weiche	70/14
				D651,785 S *	1/2012	Martin et al.	D99/28
				D667,195 S *	9/2012	Guo	D99/28

* cited by examiner

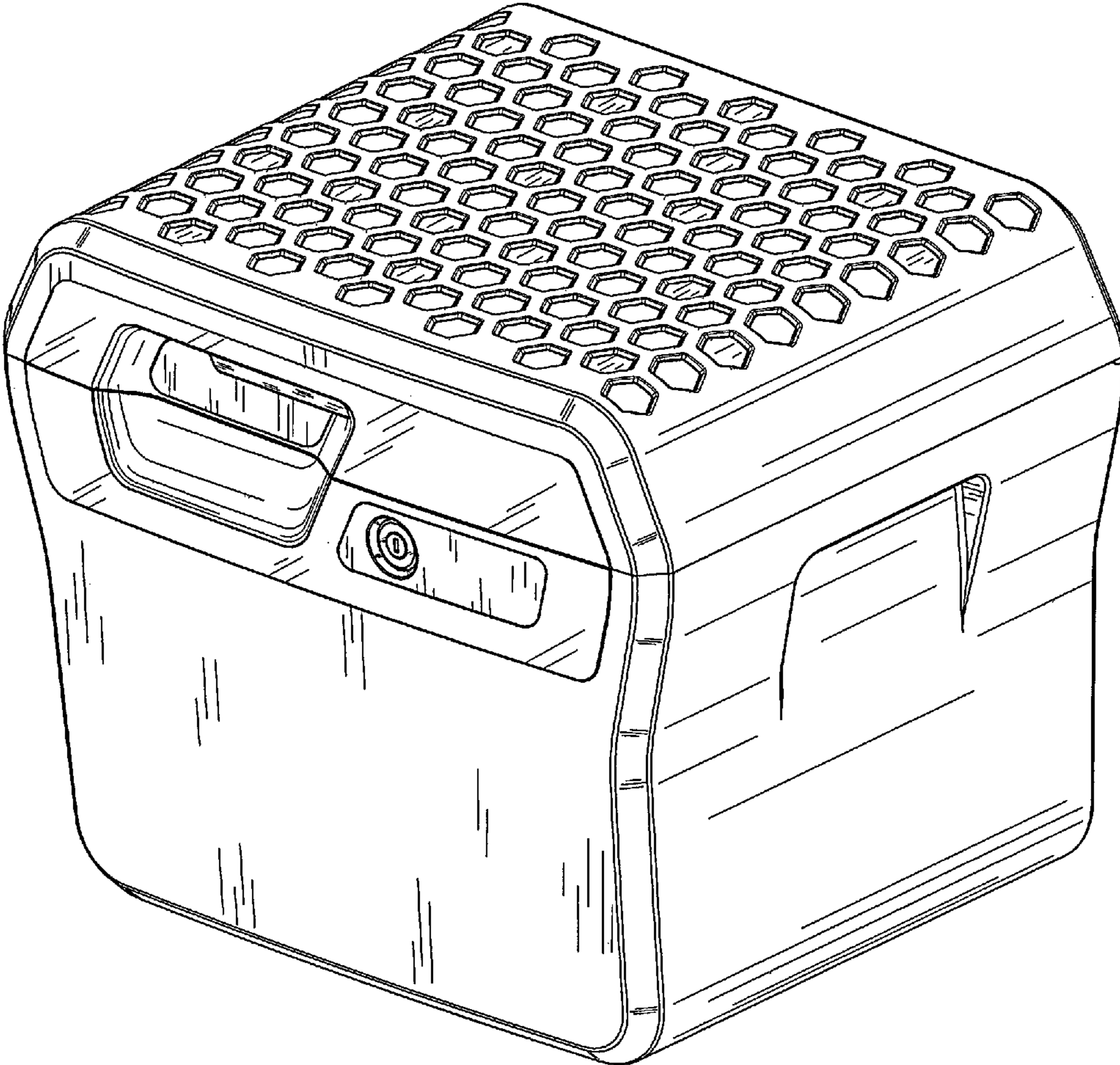


FIG. 1

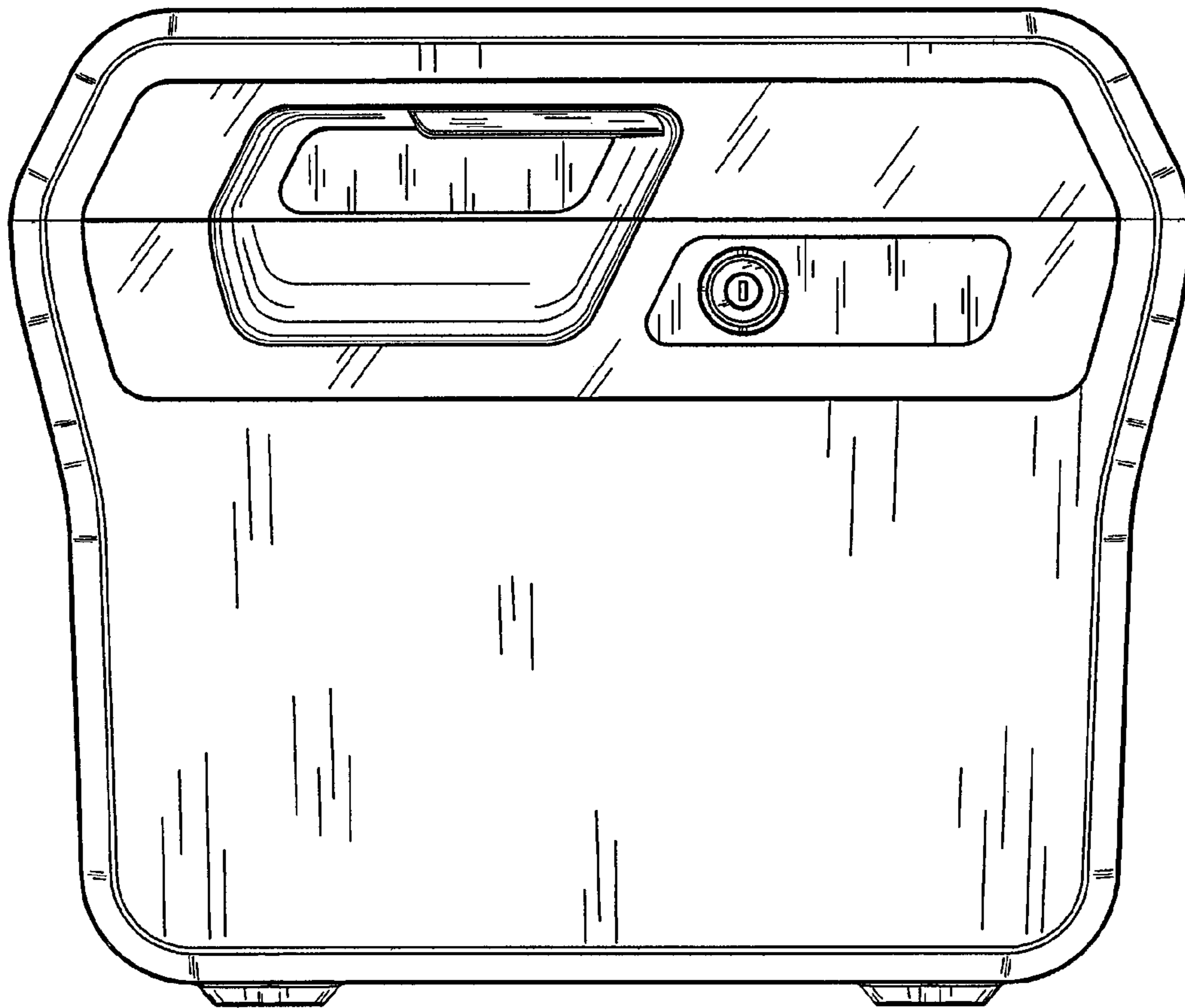


FIG. 2

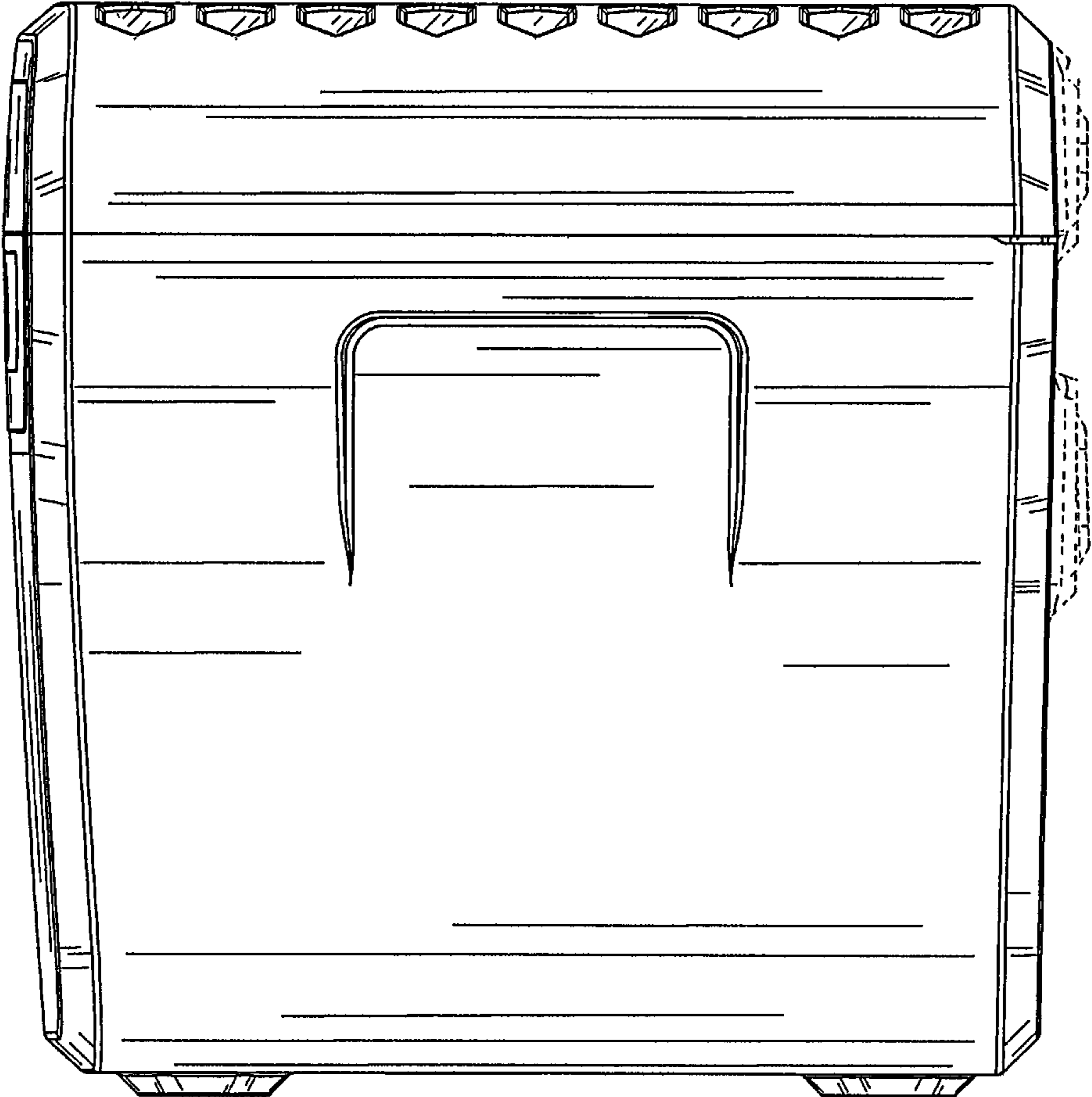


FIG. 3

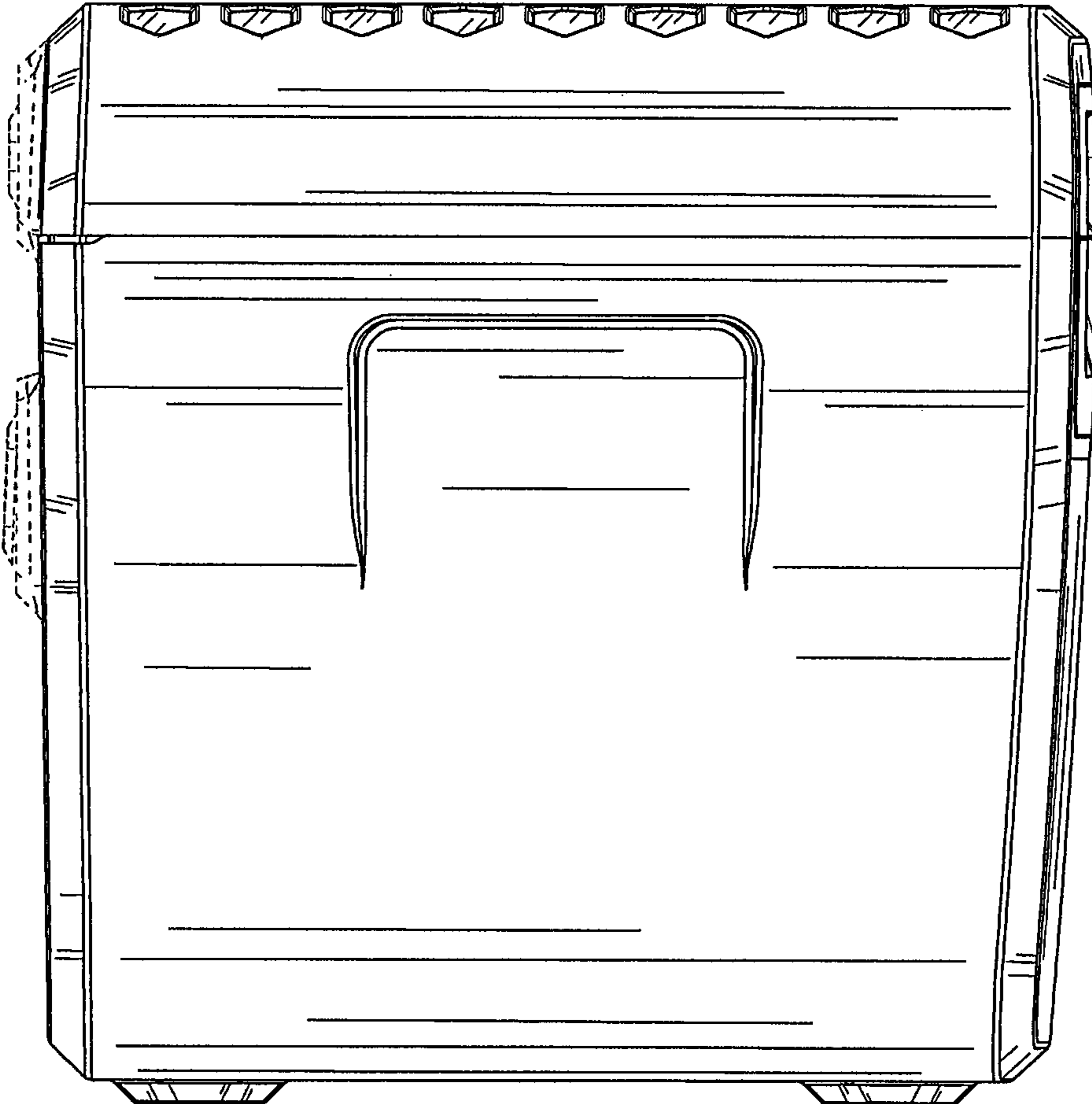


FIG. 4

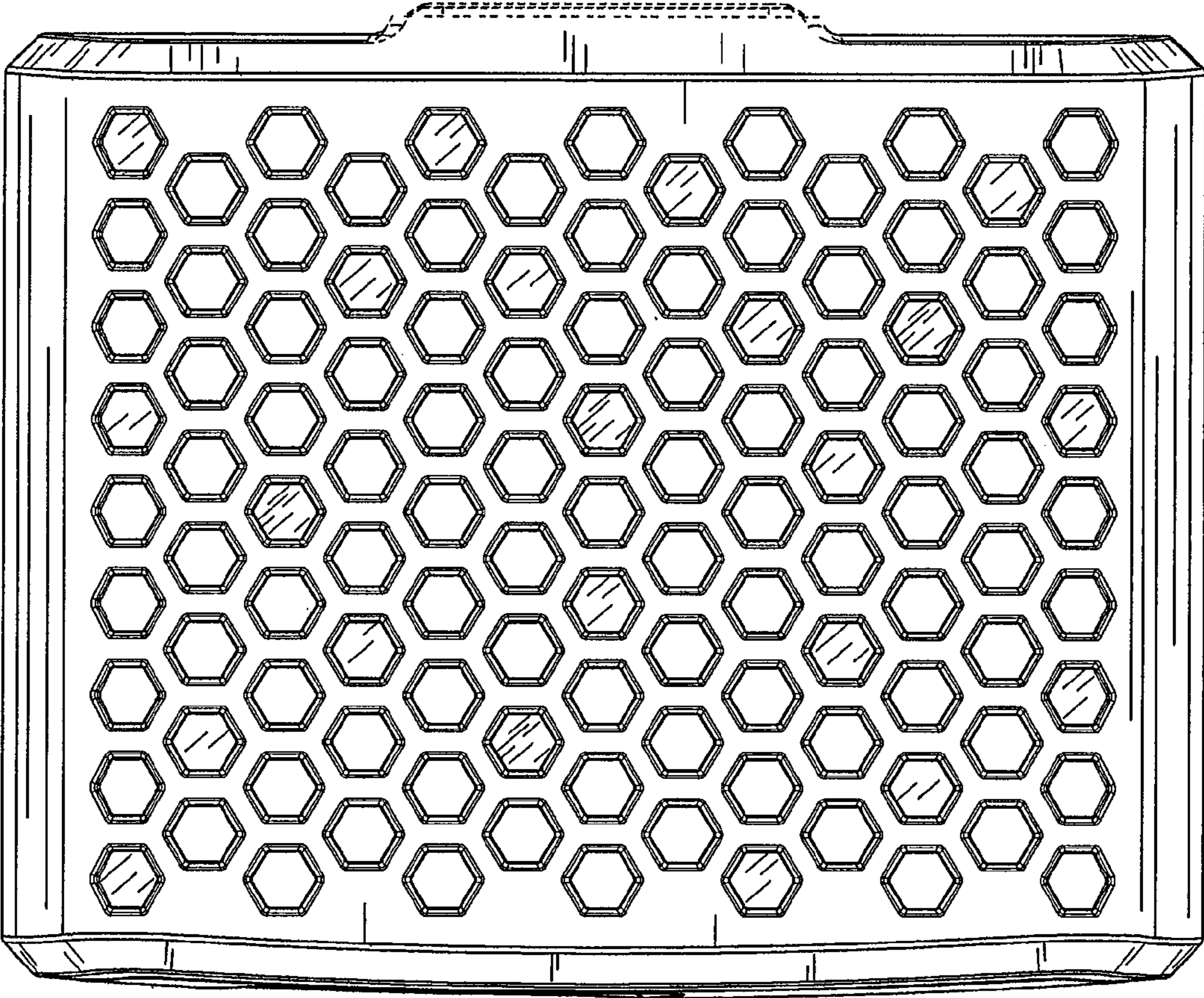


FIG. 5

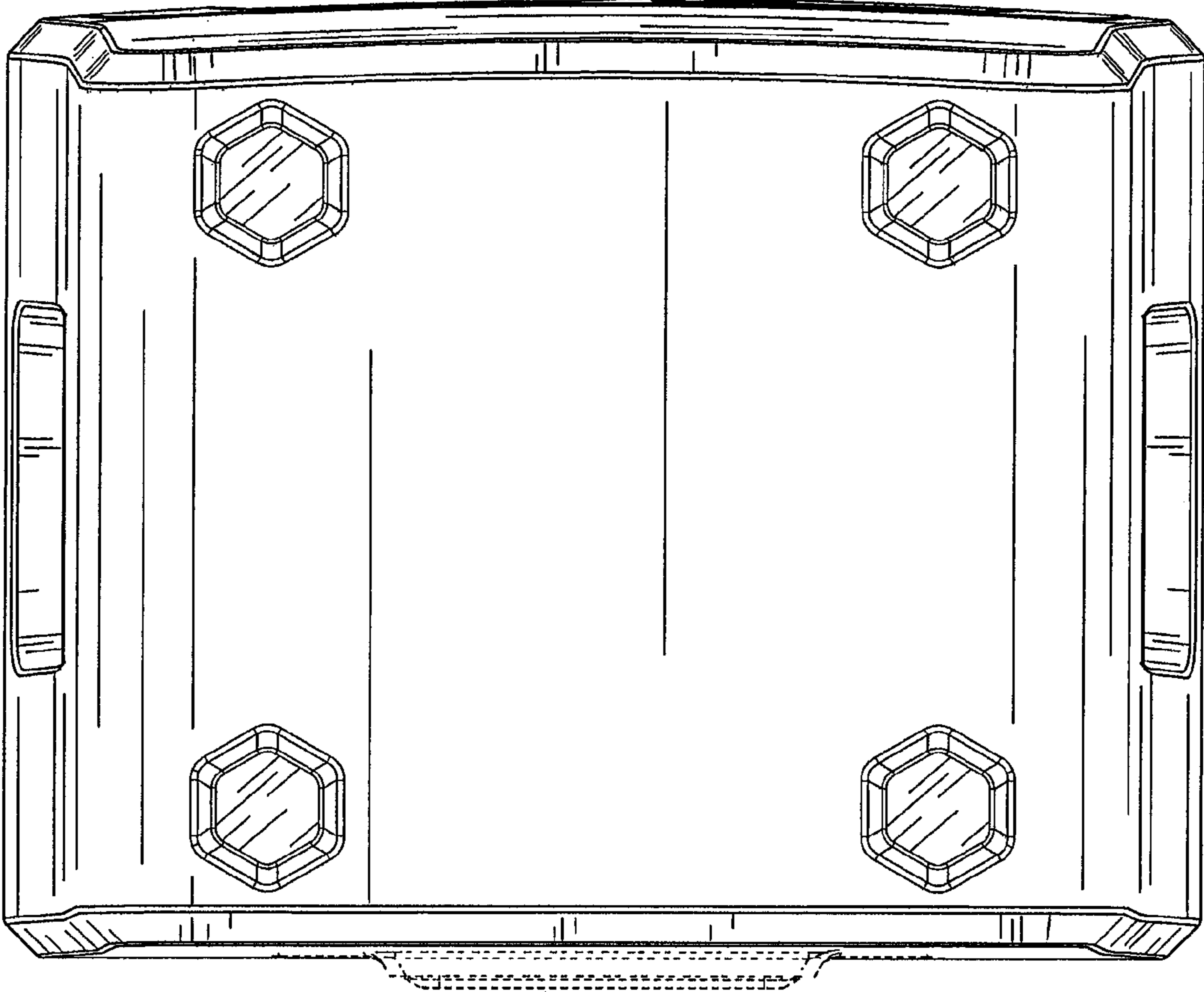


FIG. 6

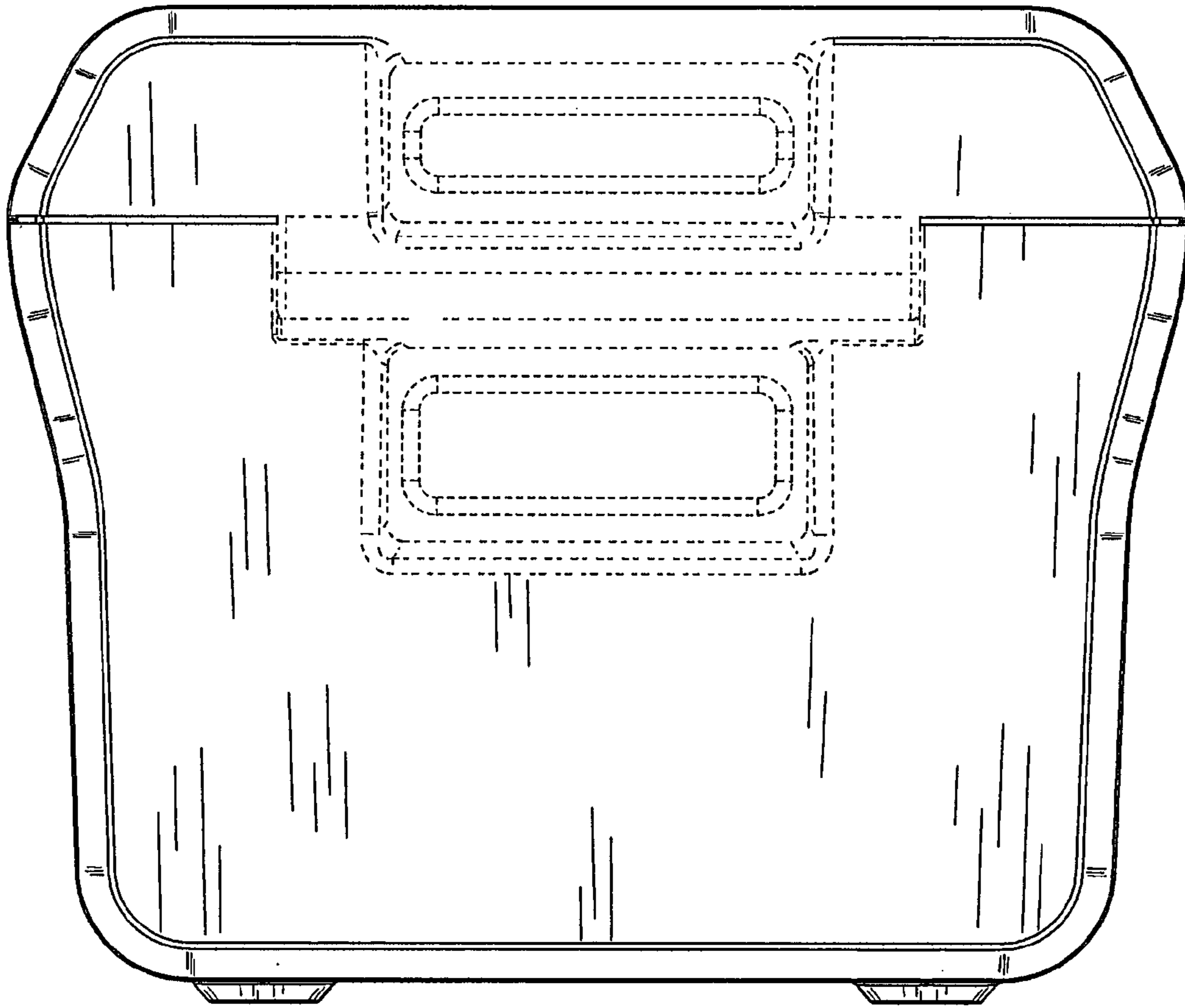


FIG. 7

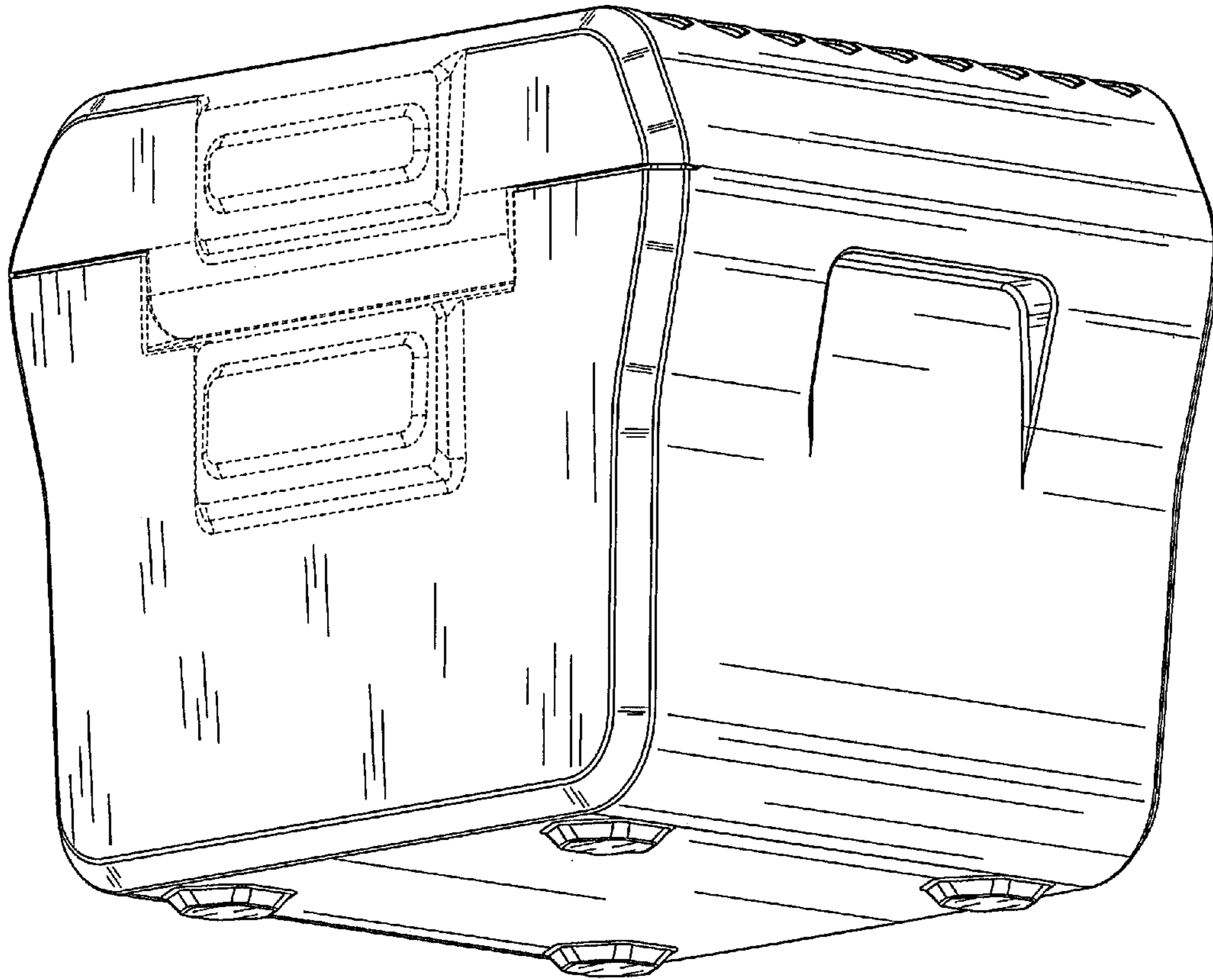


FIG. 8