



US00D730011S

(12) **United States Design Patent**
McRorie et al.

(10) **Patent No.:** **US D730,011 S**

(45) **Date of Patent:** **** May 19, 2015**

- (54) **CART**
- (71) Applicant: **RUBBERMAID COMMERCIAL PRODUCTS LLC**, Winchester, VA (US)
- (72) Inventors: **Robert Grant McRorie**, Huntersville, NC (US); **Radmond Vincent Arceta**, Huntersville, NC (US)
- (73) Assignee: **RUBBERMAID COMMERCIAL PRODUCTS LLC**, Winchester, VA (US)
- (**) Term: **14 Years**
- (21) Appl. No.: **29/482,754**
- (22) Filed: **Feb. 21, 2014**
- (51) **LOC (10) Cl.** **12-02**
- (52) **U.S. Cl.**
USPC **D34/14**
- (58) **Field of Classification Search**
CPC B62B 1/00; B62B 7/00; B62B 3/02; B62B 5/00; B62B 3/005
USPC D34/12-27; 280/30, 5.32, 651, 47.35, 280/79.11, 79.3, 47.26, 79.2, 47.371, 47.34, 280/47.131; 312/249.12; 211/204, 126.15
See application file for complete search history.

8,196,939	B2 *	6/2012	Bustle et al.	280/47.35
8,215,650	B2 *	7/2012	Arceta et al.	280/47.35
8,240,684	B2 *	8/2012	Ross et al.	280/47.34
8,286,977	B2 *	10/2012	Butler et al.	280/47.35
8,677,911	B2 *	3/2014	McRorie	108/50.02
8,714,569	B2 *	5/2014	Lu et al.	280/35
2004/0262867	A1 *	12/2004	Arceta et al.	280/47.35
2008/0252045	A1 *	10/2008	Rossini et al.	280/659
2009/0015116	A1 *	1/2009	Arceta et al.	312/209
2009/0319079	A1 *	12/2009	Arceta et al.	700/228

(Continued)

OTHER PUBLICATIONS

Rubbermaid Healthcare, Rubbermaid M38 Cart, on or before Feb. 21, 2014.

(Continued)

Primary Examiner — Cynthia Ramirez
Assistant Examiner — Gino Colan

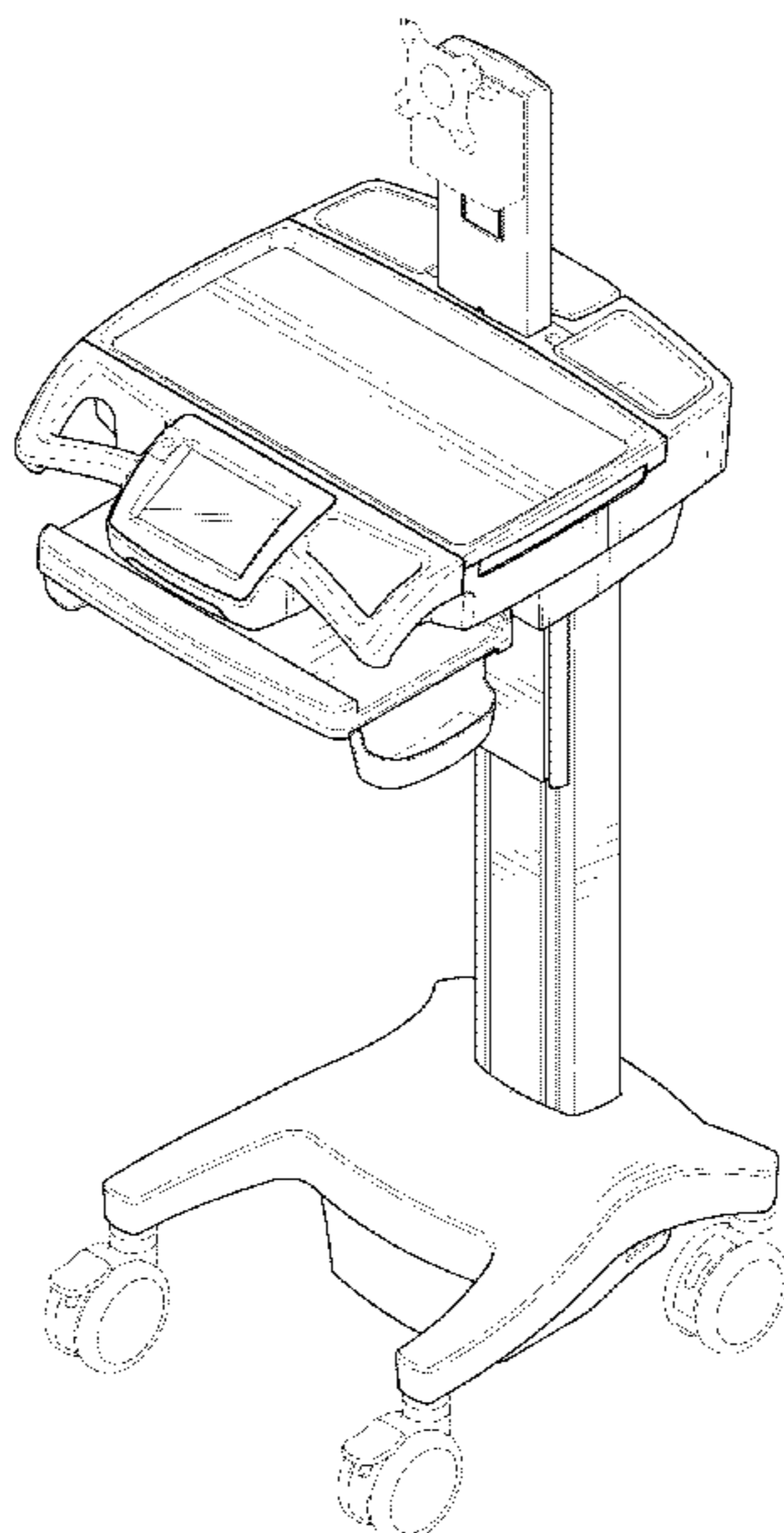
(57) **CLAIM**
The ornamental design for a “cart,” as shown and described.

DESCRIPTION

FIG. 1 is a front and right side perspective view of a cart, showing our new design, according to one embodiment; FIG. 2 is a left elevational view of the cart shown in FIG. 1; FIG. 3 is a right elevational view of the cart shown in FIG. 1; FIG. 4 is a bottom plan view of the cart shown in FIG. 1; FIG. 5 is a top plan view of the cart shown in FIG. 1; FIG. 6 is a front elevational view of the cart shown in FIG. 1; and, FIG. 7 is a back elevational view of the cart shown in FIG. 1. The broken lines in the drawings are included for the purpose of illustrating elements of the cart and form no part of the claimed design. Any wire frame lines are intended to indicate surface contour and are not intended to represent surface ornamentation.

1 Claim, 7 Drawing Sheets

- (56) **References Cited**
U.S. PATENT DOCUMENTS
D517,768 S * 3/2006 Arceta D34/14
D518,267 S * 3/2006 Arceta D34/14
7,594,668 B2 * 9/2009 Arceta et al. 280/47.35
7,621,544 B2 * 11/2009 Rossini 280/79.3
D650,142 S * 12/2011 McRorie D34/14
D652,936 S * 1/2012 Ross et al. D24/185
8,109,527 B2 * 2/2012 Bustle et al. 280/47.35



(56)

References Cited

U.S. PATENT DOCUMENTS

2010/0213679	A1 *	8/2010	Smith et al.	280/47.35
2012/0126503	A1 *	5/2012	Butler et al.	280/47.35
2012/0274196	A1 *	11/2012	Arceta et al.	312/249.11
2013/0200579	A1 *	8/2013	Abernethy et al.	280/6.15
2013/0300075	A1 *	11/2013	Arceta et al.	280/33.991
2013/0307237	A1 *	11/2013	Chen	280/35
2014/0084558	A1 *	3/2014	Ergun et al.	280/47.35
2014/0218282	A1 *	8/2014	Hung	345/156
2014/0265193	A1 *	9/2014	Stark	280/47.34

OTHER PUBLICATIONS

Intermetro Industries Incorporated, Flo Cart 1770, on or before Feb. 21, 2014.
 Intermetro Industries Incorporated, AccessPoint Cart, on or before Feb. 21, 2014.
 Intermetro Industries Incorporated, iPoint Cart, on or before Feb. 21, 2014.
 Ergotron, StyleView Medical Laptop Cart SV41, on or before Feb. 21, 2014.

Ergotron, StyleView Laptop Cart SV40, on or before Feb. 21, 2014.
 Ergotron, StyleView LCD Computer Medical Cart SV42, on or before Feb. 21, 2014.
 Humanscale, Point-of-Care Technology Cart TouchPoint T5, on or before Feb. 21, 2014.
 Humanscale, TouchPoint Mobile Technology Cart T7, on or before Feb. 21, 2014.
 Howard Medical, Medical HI-Prodigy Cart, on or before Feb. 21, 2014.
 Howard Medical, HI-Care Workstation on Wheels Cart, on or before Feb. 21, 2014.
 Howard Medical, HI-Mobile Cart, on or before Feb. 21, 2014.
 Stinger Medical, Sydekick Medication Workstation, on or before Feb. 21, 2014.
 Stinger Medical, Slimline Documentation Workstation, on or before Feb. 21, 2014.
 Stinger Medical, Levitator Medication Workstation, on or before Feb. 21, 2014.
 Enovate Medical, Medical Point of Care Workstation, on or before Feb. 21, 2014.
 Enovate Medical, Documentation Cart, on or before Feb. 21, 2014.

* cited by examiner

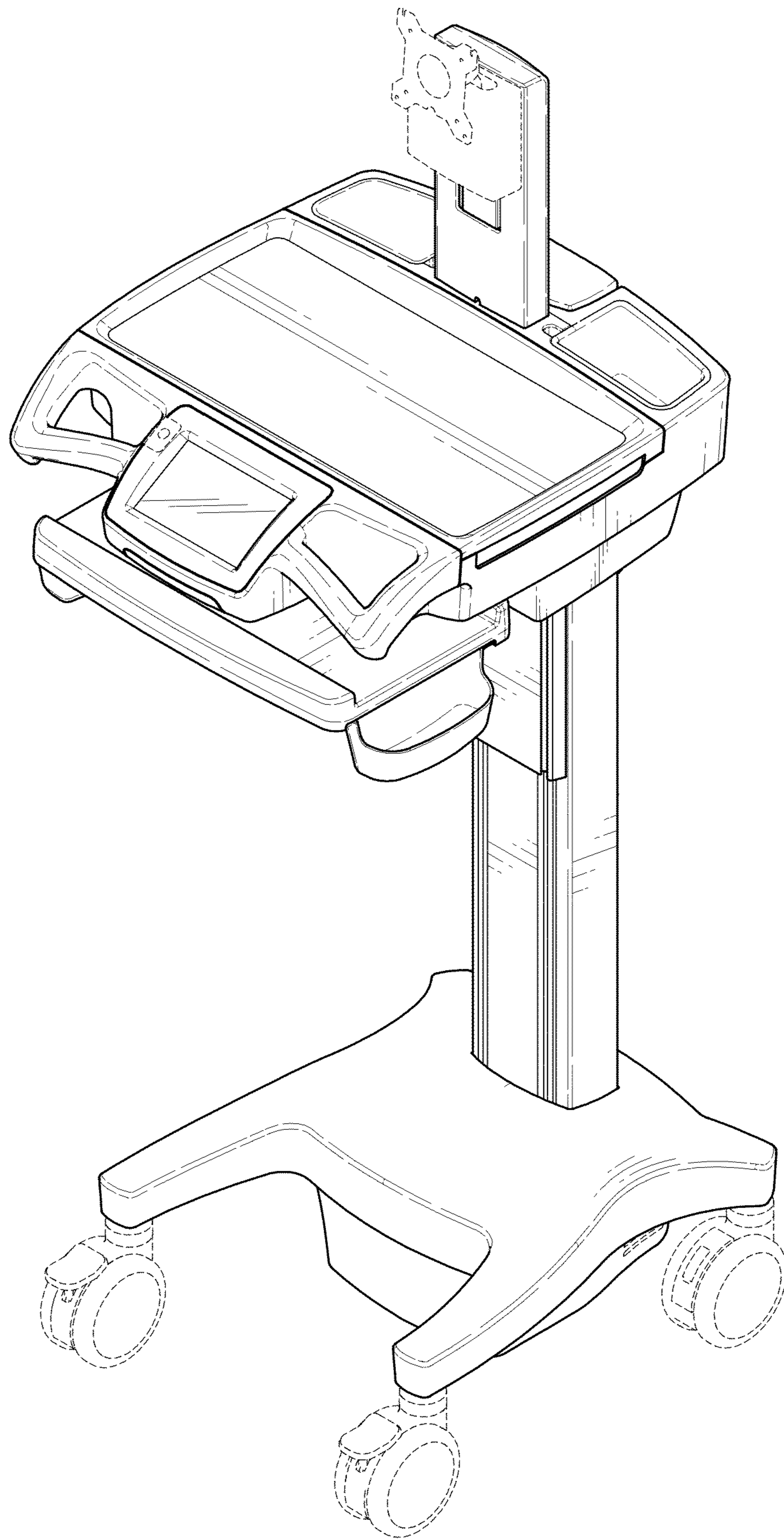


FIG. 1

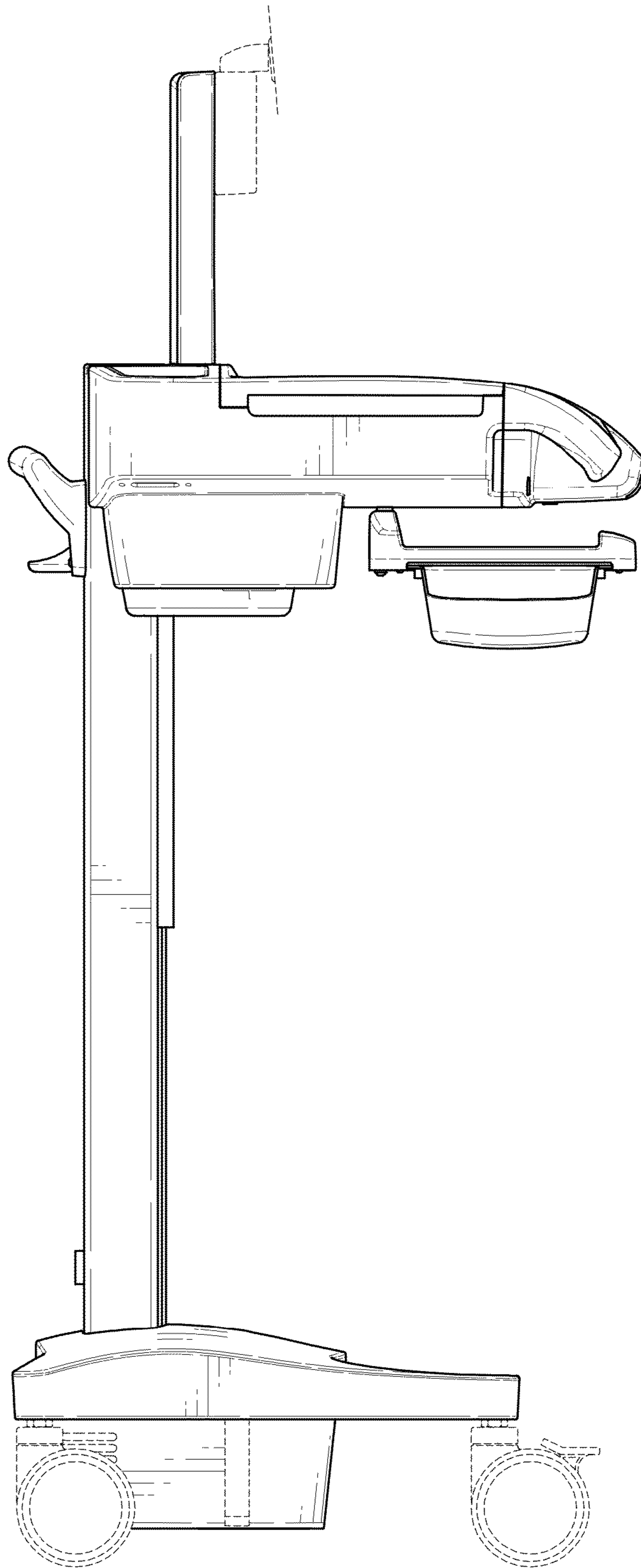


FIG. 2

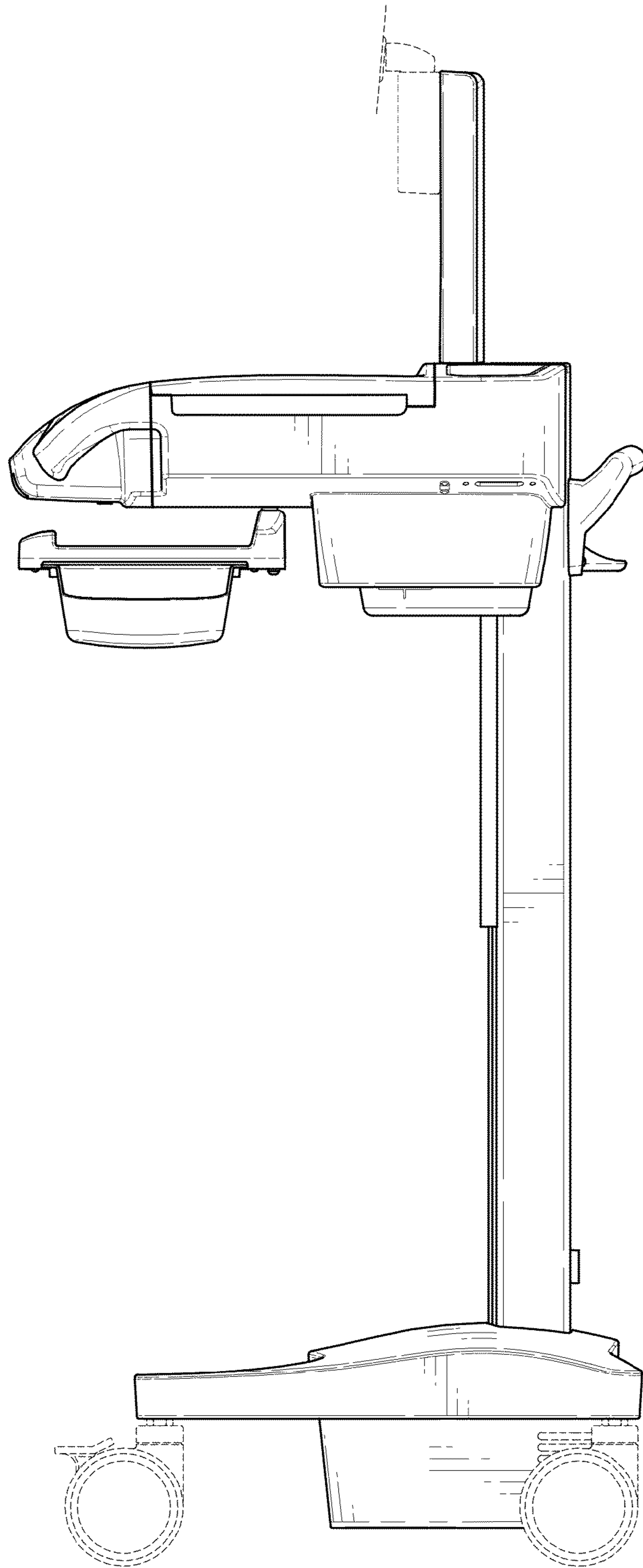


FIG. 3

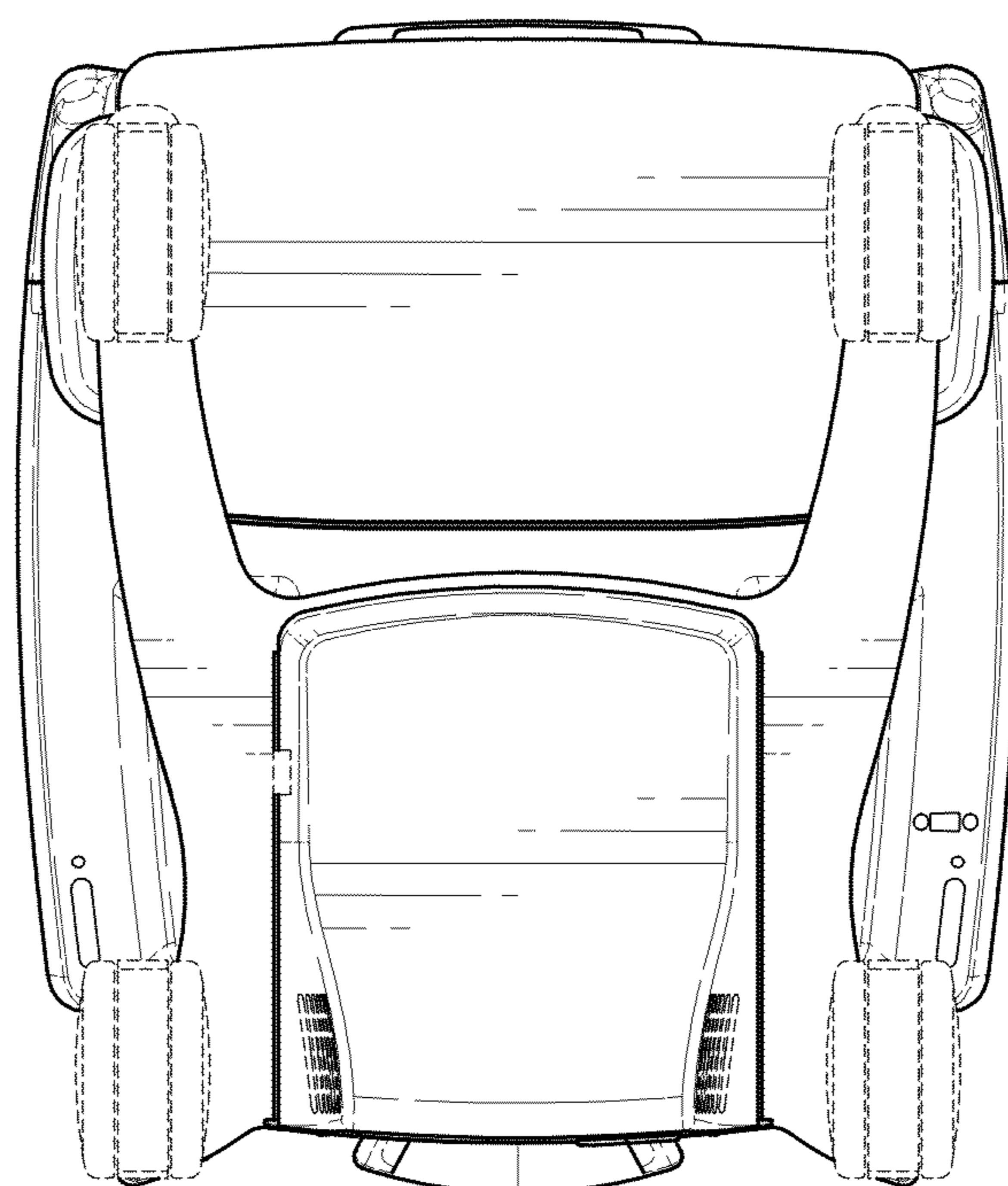


FIG. 4

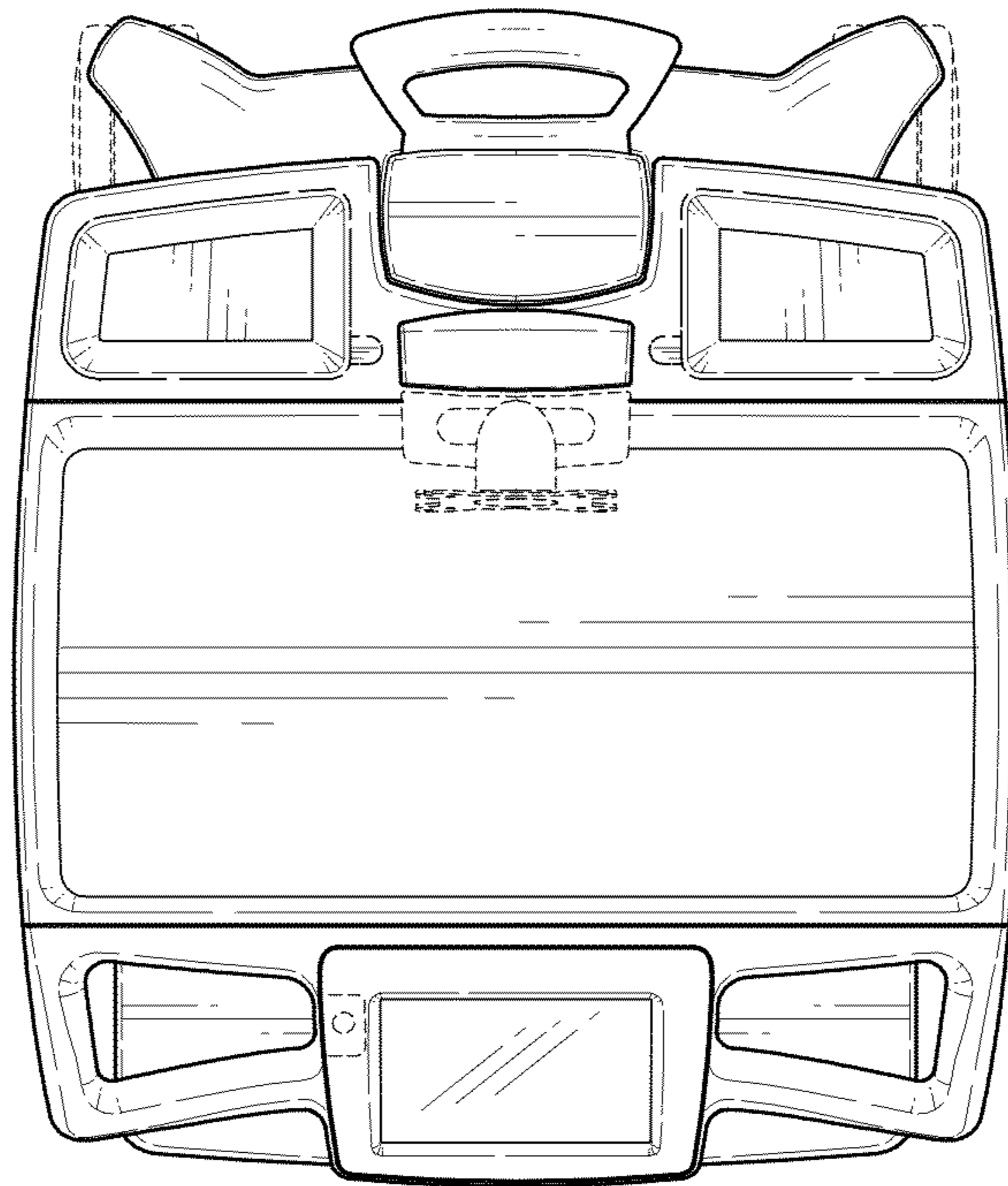


FIG. 5

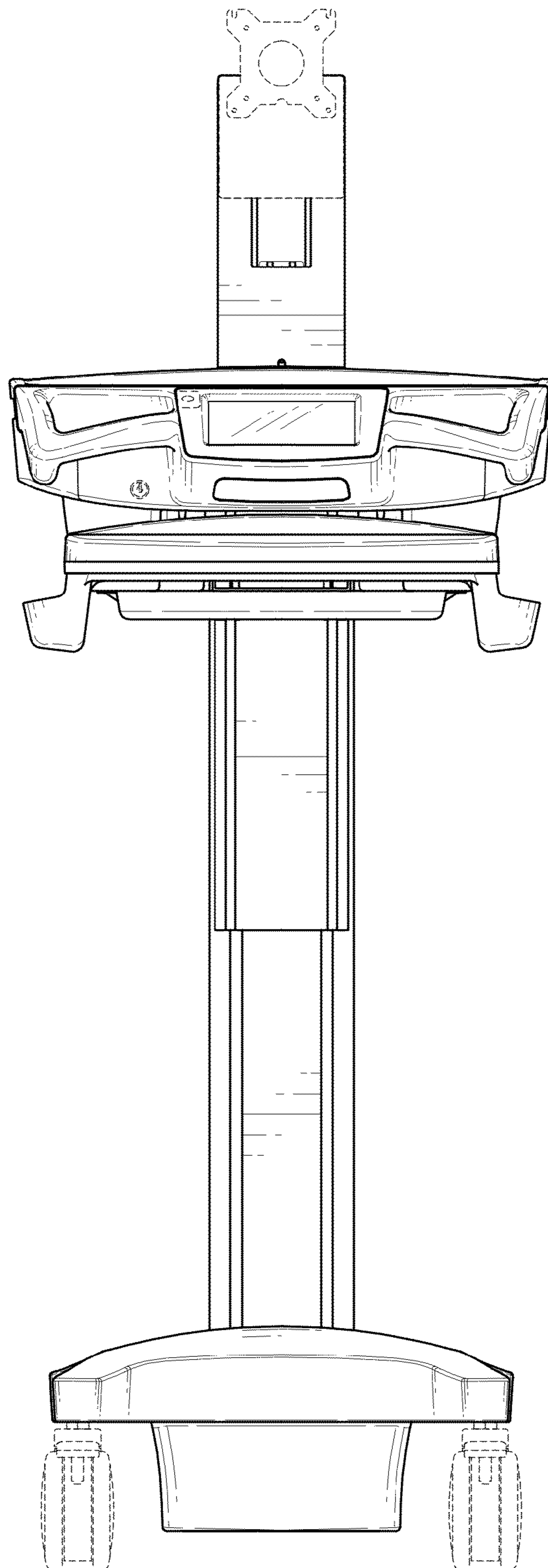


FIG. 6

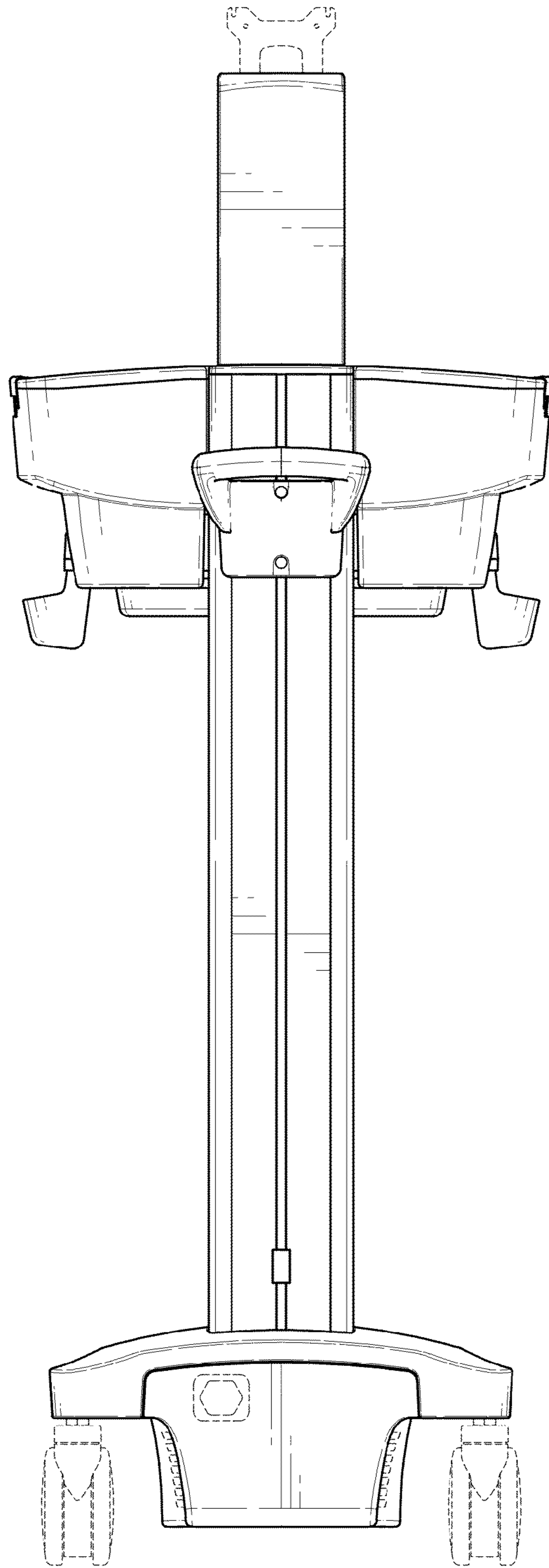


FIG. 7