



US00D730010S

(12) **United States Design Patent**
Jin

(10) **Patent No.:** **US D730,010 S**
(45) **Date of Patent:** **** May 19, 2015**

(54) **SHOPPING CART**

(71) Applicant: **Xugang Jin**, Jinhua (CN)

(72) Inventor: **Xugang Jin**, Jinhua (CN)

(**) Term: **14 Years**

(21) Appl. No.: **29/478,281**

(22) Filed: **Jan. 3, 2014**

(30) **Foreign Application Priority Data**

Dec. 20, 2013 (CN) 2013 3 0636707

(51) **LOC (10) Cl.** **12-02**

(52) **U.S. Cl.**
USPC **D34/12**

(58) **Field of Classification Search**
CPC B62B 5/0083; B62B 2202/24; B62B
2206/02; B62B 3/02
USPC D34/12-27; 280/35, 47.35, 79.11, 659,
280/47.18, 47.34, 47.24, 47.25, 47.19, 79.3,
280/651, 652, 639

See application file for complete search history.

(56) **References Cited**

U.S. PATENT DOCUMENTS

D198,920	S	*	8/1964	Corbett	D34/13
D304,111	S	*	10/1989	Mehalick	D34/18
4,998,742	A	*	3/1991	Maynard	280/35
5,857,695	A	*	1/1999	Crowell	280/651
D493,593	S	*	7/2004	Anderson	D34/14
D522,207	S	*	5/2006	Gregory	D34/21
D608,969	S	*	1/2010	Wise	D34/12
D649,320	S	*	11/2011	Renfrew et al.	D34/12
D661,451	S	*	6/2012	Armstrong et al.	D34/17

* cited by examiner

Primary Examiner — Cynthia Ramirez

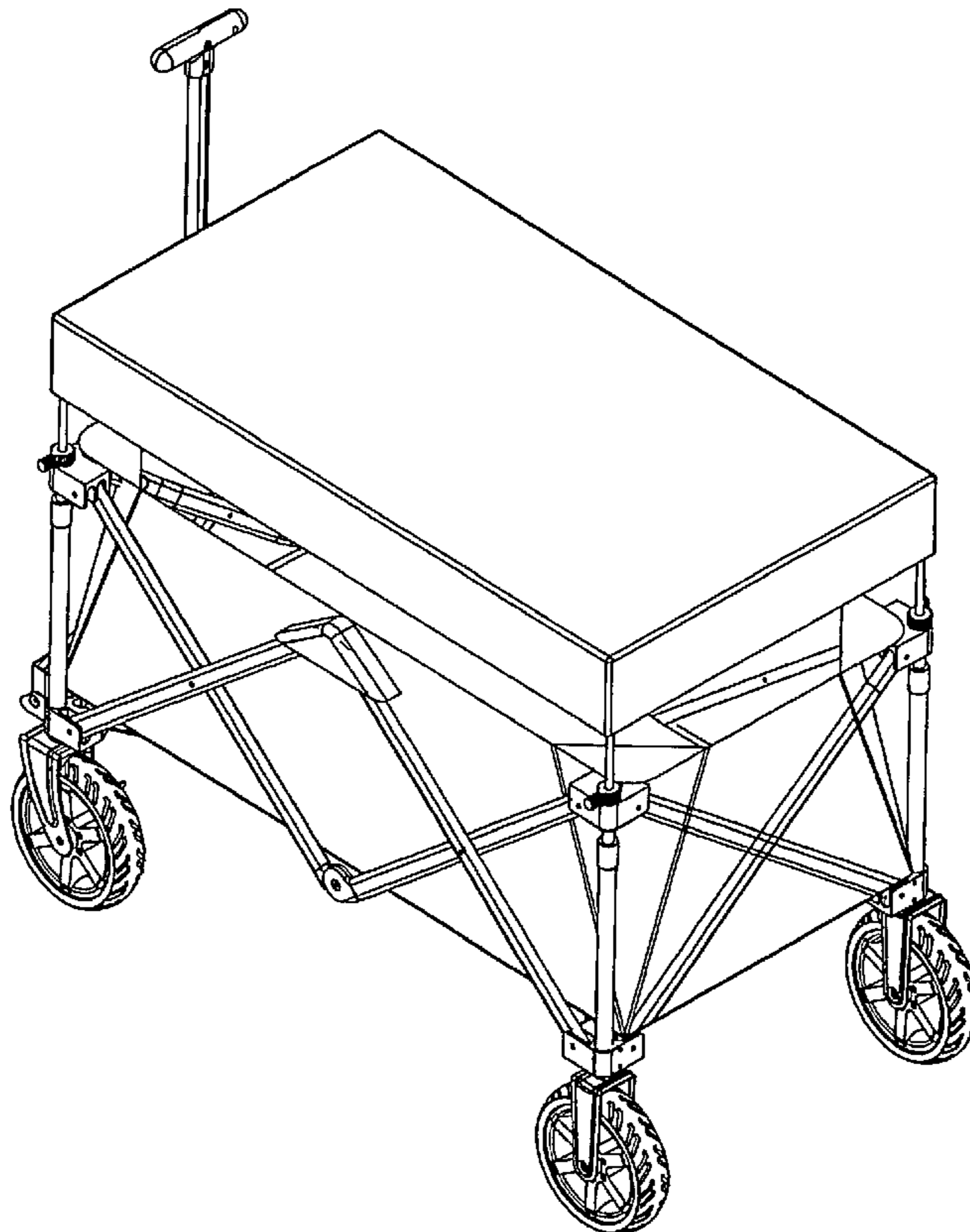
(57) **CLAIM**

The ornamental design for a shopping cart, as shown and described.

DESCRIPTION

FIG. 1 is a perspective view of a shopping cart showing my new design;
FIG. 2 is a front view thereof;
FIG. 3 is a rear view thereof;
FIG. 4 is a left side view thereof;
FIG. 5 is a right side view thereof; and,
FIG. 6 is a top plan view thereof.
The broken lines in the drawings are for the purpose of illustrating unclaimed portions of the shopping cart and form no part of the claimed design.

1 Claim, 6 Drawing Sheets



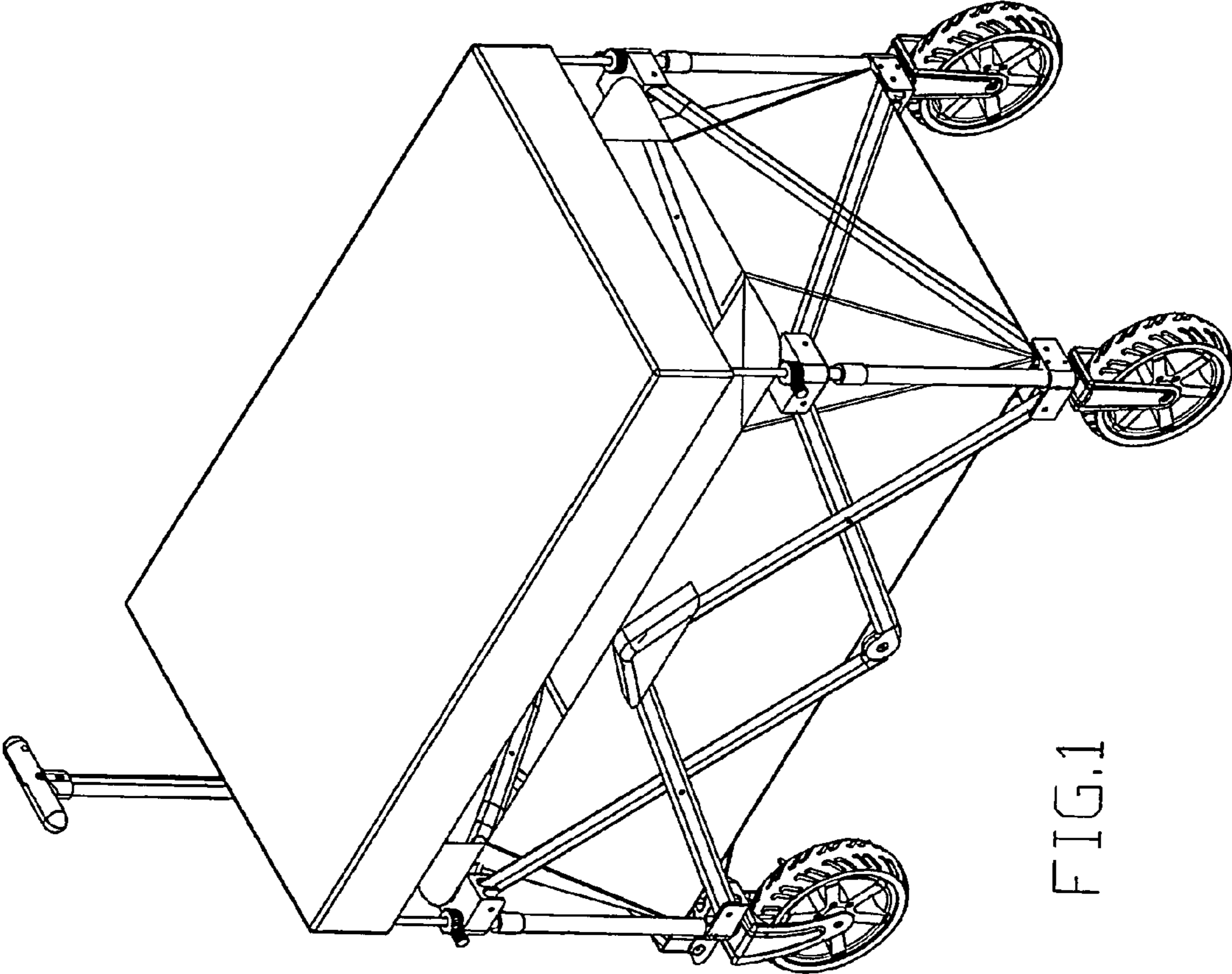


FIG.1

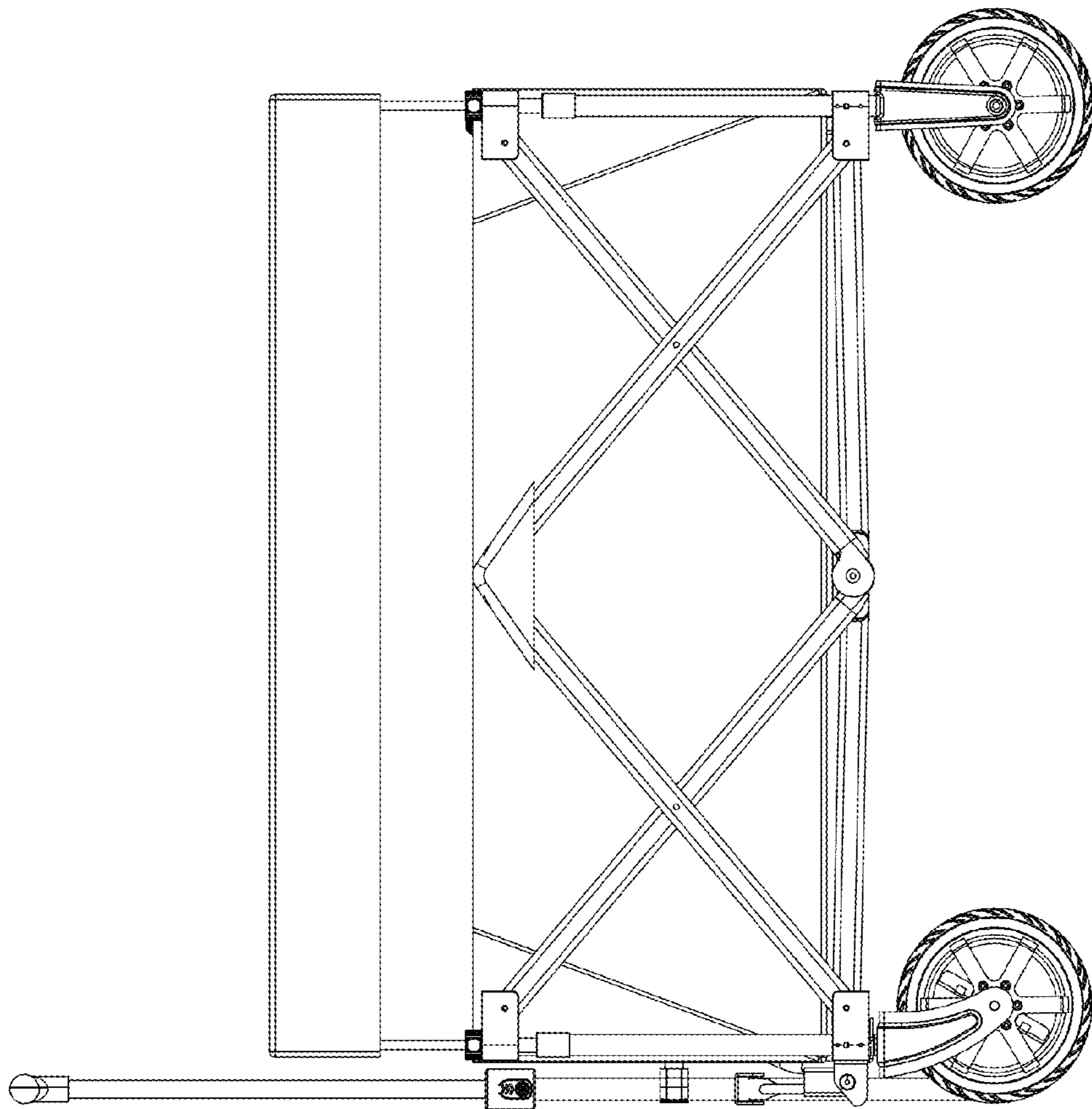


FIG. 2

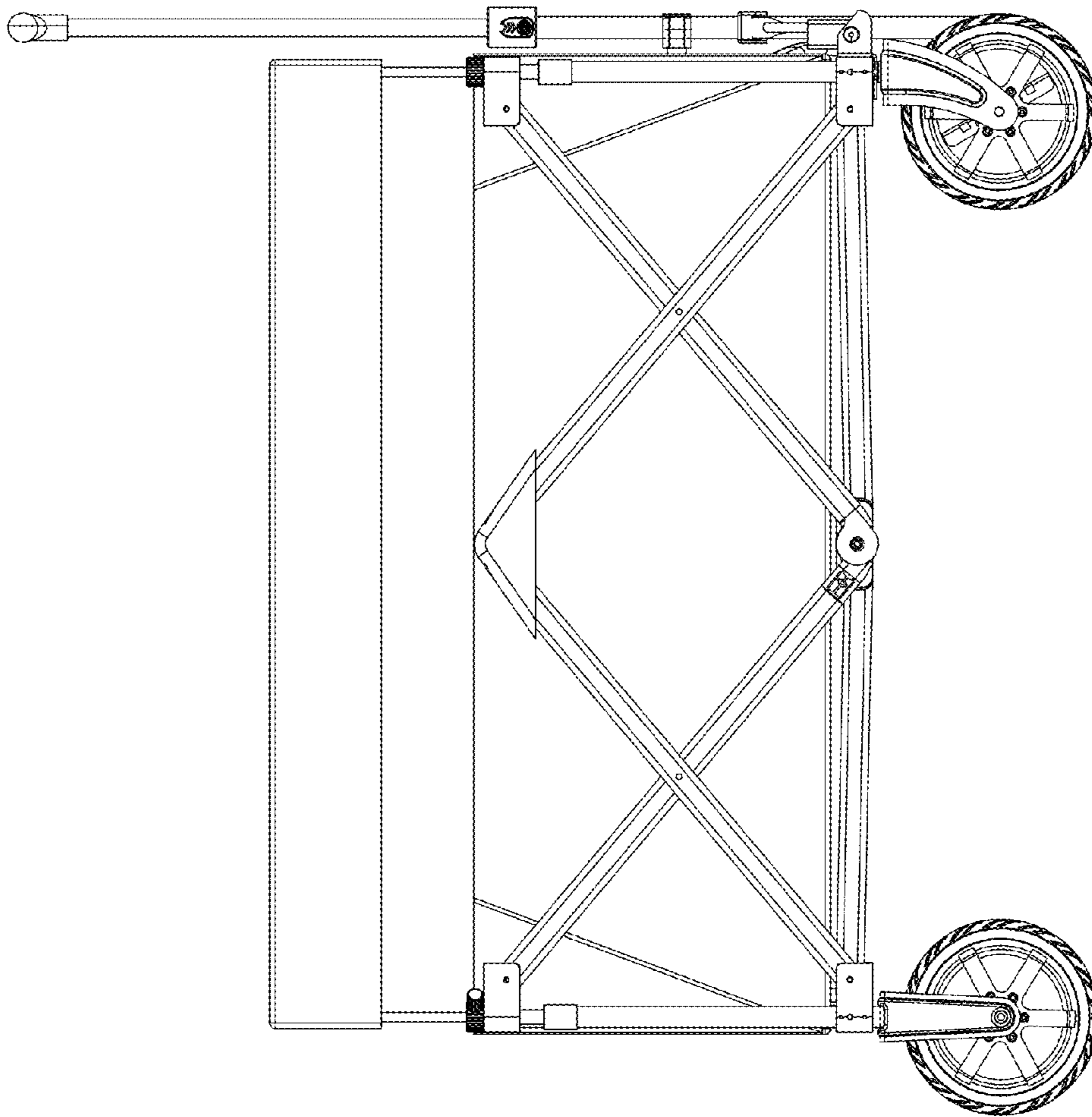


FIG. 3

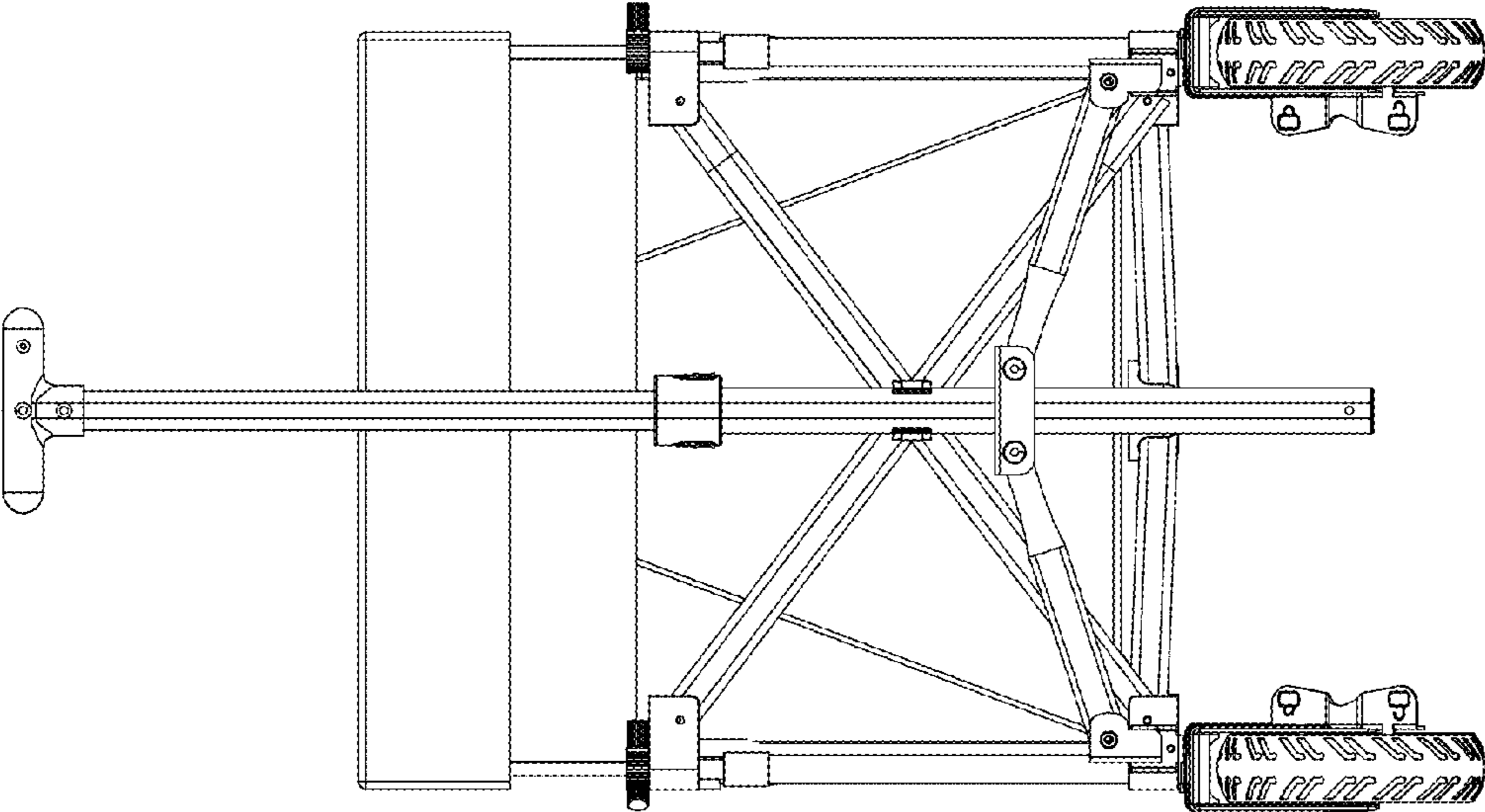


FIG. 4

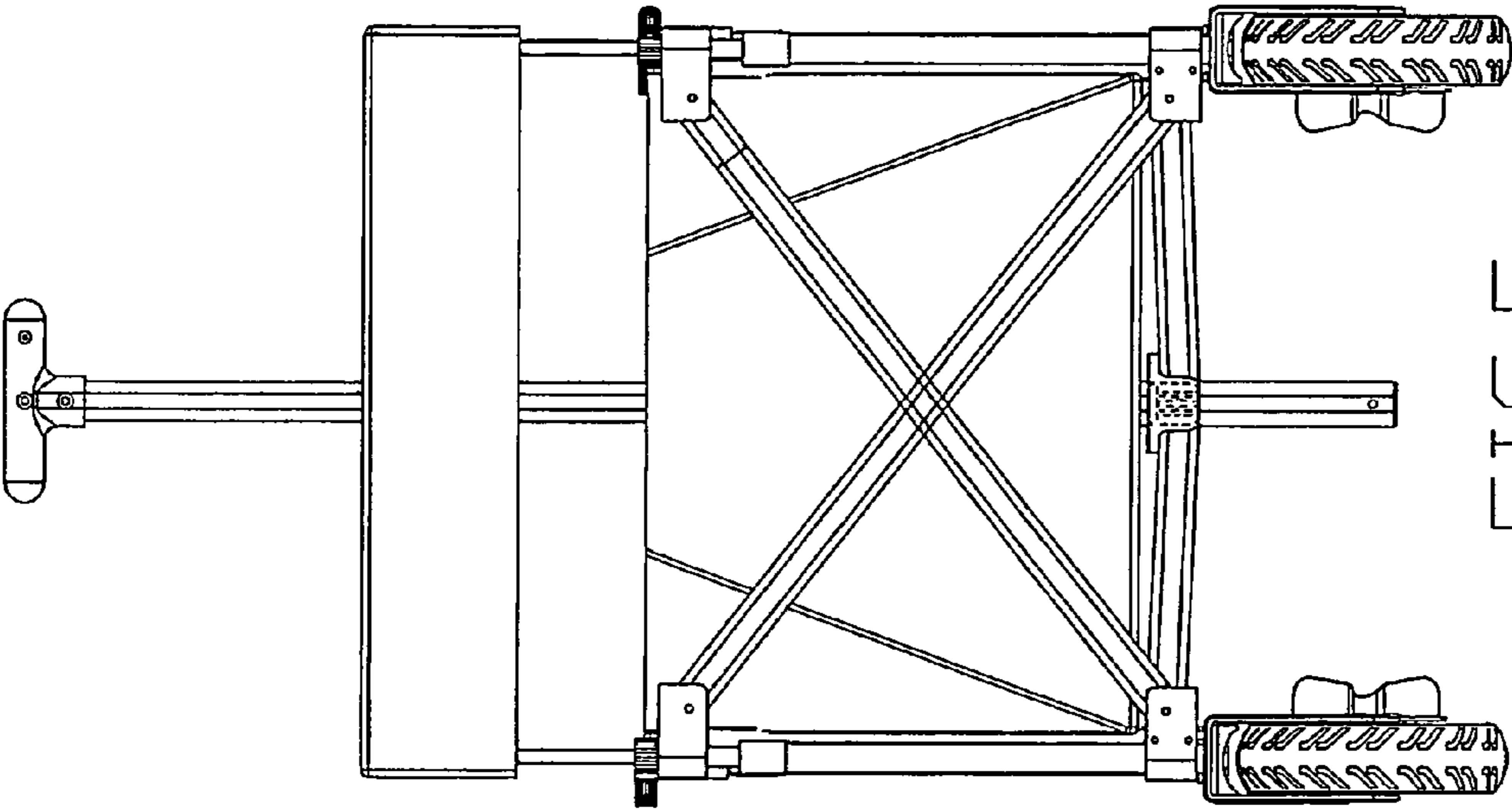


FIG. 5

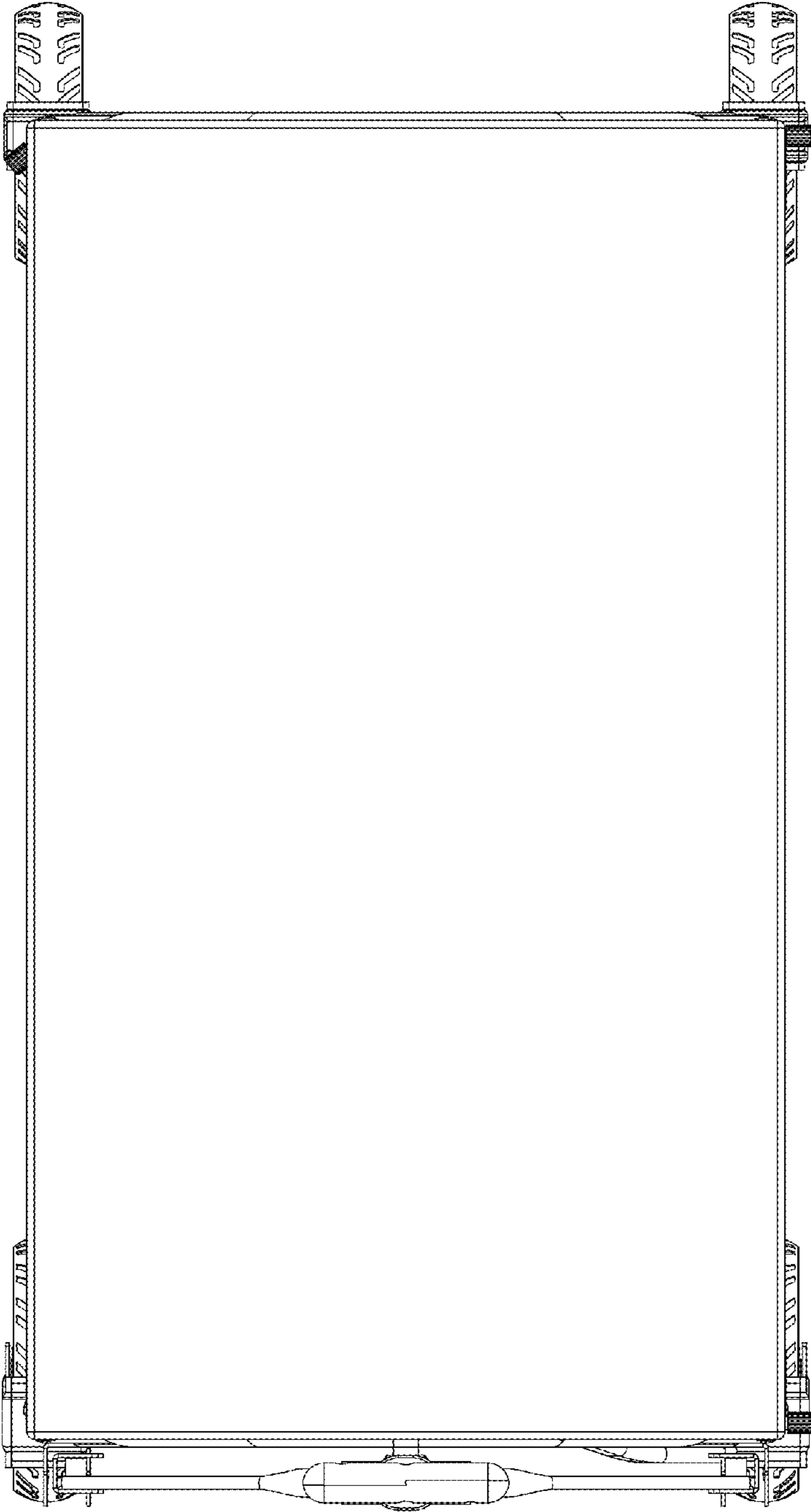


FIG. 6