



US00D730007S

(12) **United States Design Patent**
Machen

(10) **Patent No.:** **US D730,007 S**

(45) **Date of Patent:** **** May 19, 2015**

(54) **TRASH CONTAINER**

(71) Applicant: **Christopher C. Machen**, Seymour, TX
(US)

(72) Inventor: **Christopher C. Machen**, Seymour, TX
(US)

(**) Term: **14 Years**

(21) Appl. No.: **29/493,907**

(22) Filed: **Jun. 14, 2014**

(51) **LOC (10) Cl.** **09-09**

(52) **U.S. Cl.**
USPC **D34/1**

(58) **Field of Classification Search**
CPC B65F 1/06; B65F 1/068; B65F 7/00;
B65F 2210/179; B65F 2220/12
USPC D34/1, 5, 6, 7, 8, 9, 10, 11; 220/908,
220/908.1, 909, 913
See application file for complete search history.

(56) **References Cited**

U.S. PATENT DOCUMENTS

D185,674 S *	7/1959	Lumley	D34/1
D250,744 S *	1/1979	Morin	D34/5
D332,334 S *	1/1993	Jones	D34/9
D387,530 S *	12/1997	Doxey	D34/1
5,803,303 A *	9/1998	Timm et al.	220/495.04
6,126,031 A *	10/2000	Reason	220/495.07

D488,899 S *	4/2004	Divoll et al.	D34/1
D490,581 S *	5/2004	Keithly et al.	D34/1
6,728,996 B2 *	5/2004	Roscow	24/306
D518,958 S *	4/2006	Yourist	D3/302
D681,300 S *	4/2013	Hatcher	D34/6
2014/0263347 A1 *	9/2014	Ballard	220/495.06

* cited by examiner

Primary Examiner — Cynthia Ramirez

(74) *Attorney, Agent, or Firm* — Eldredge Law Firm;
Richard G. Eldredge

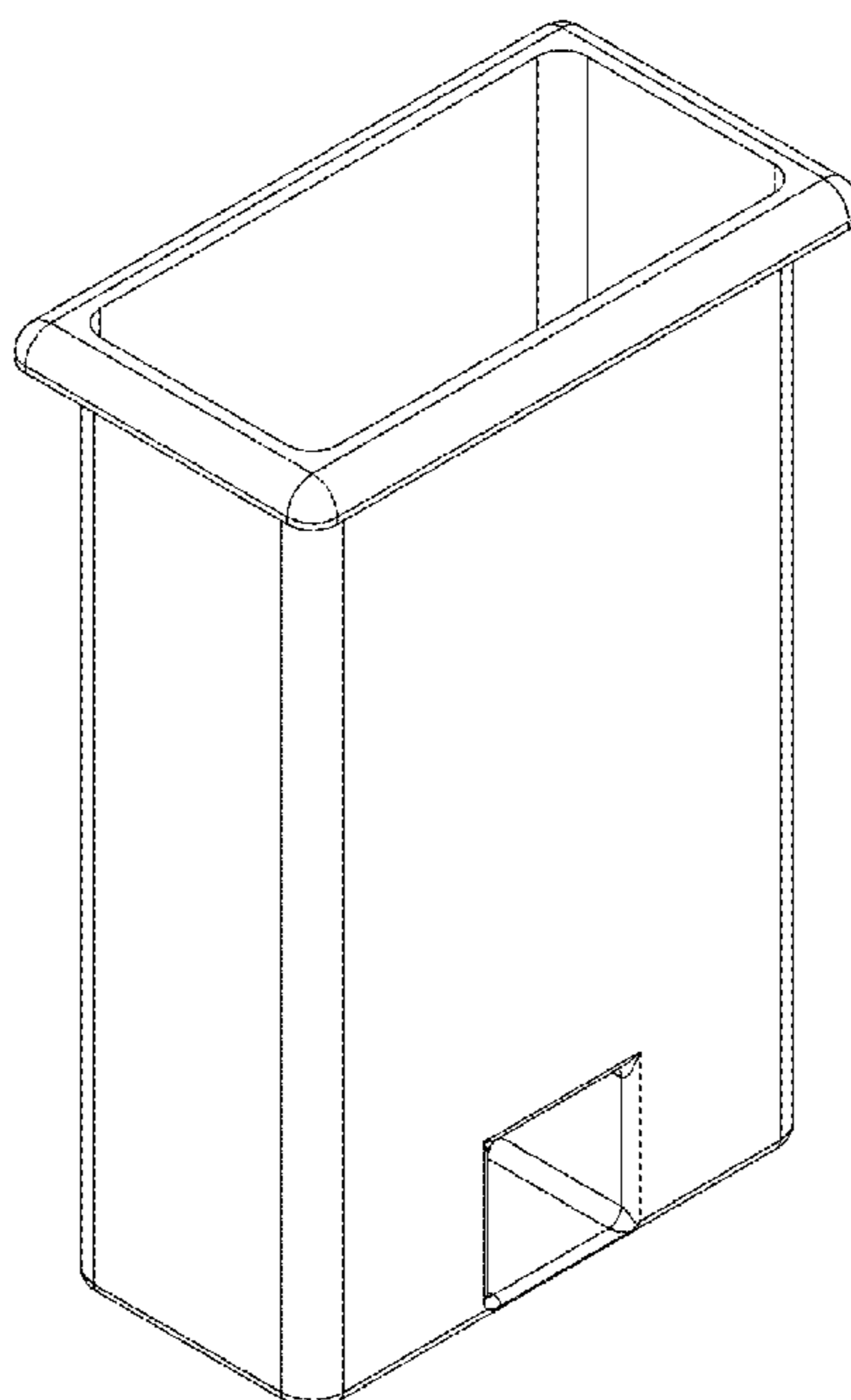
(57) **CLAIM**

The ornamental design for a trash container, as shown and described.

DESCRIPTION

FIG. 1 is an oblique right view of a trash container in accordance to a preferred embodiment of the present application. FIG. 2 is an oblique left view of the trash container in accordance to a preferred embodiment of the present application. FIG. 3 is a front view of the trash container in accordance to a preferred embodiment of the present application. FIG. 4 is a top view of the trash container in accordance to a preferred embodiment of the present application. FIG. 5 a bottom view of the trash container in accordance to a preferred embodiment of the present application. FIG. 6 is a side view of the trash container in accordance to a preferred embodiment of the present application; and, FIG. 7 is a side view of the trash container in accordance to a preferred embodiment of the present application.

1 Claim, 2 Drawing Sheets



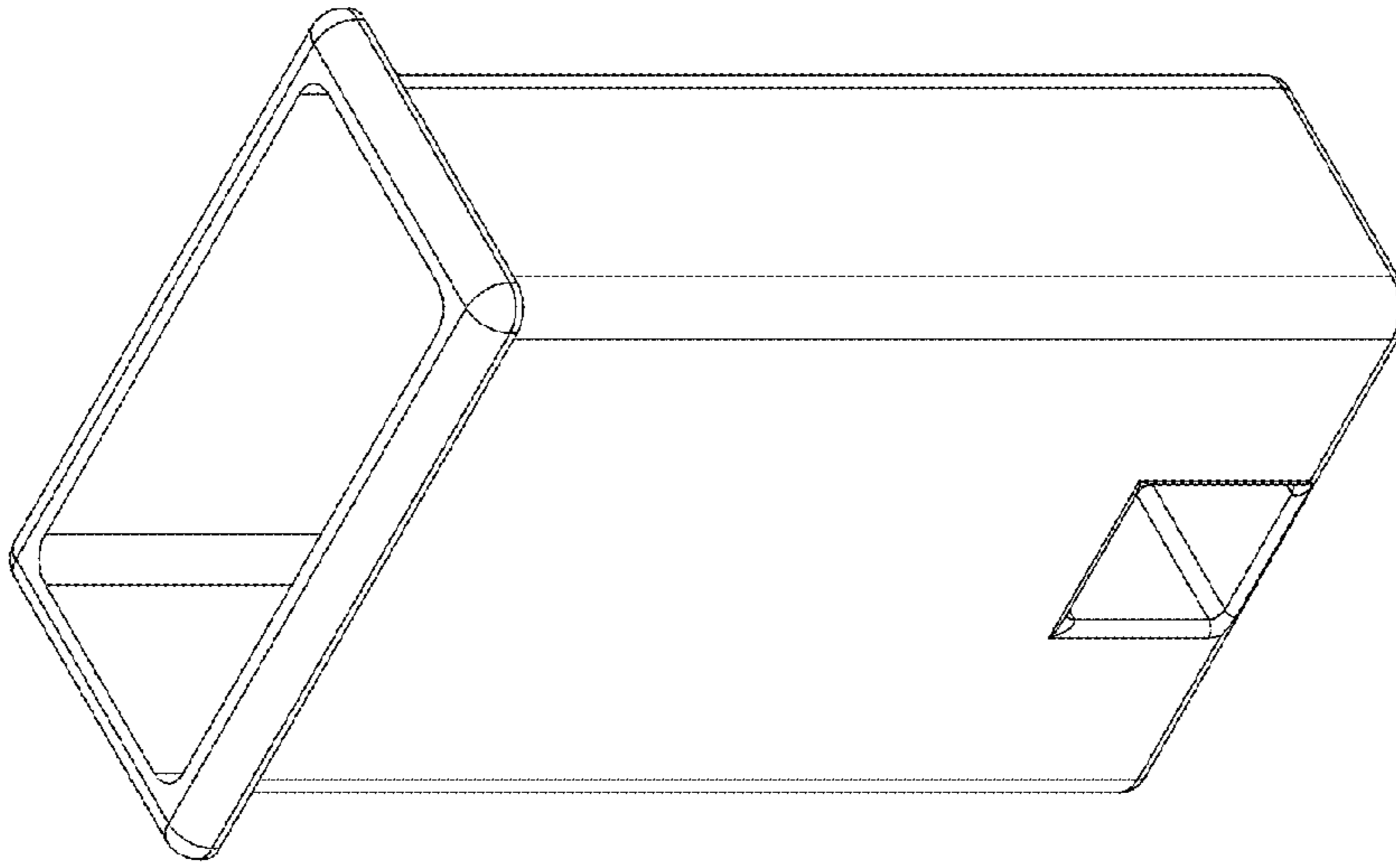


FIG. 2

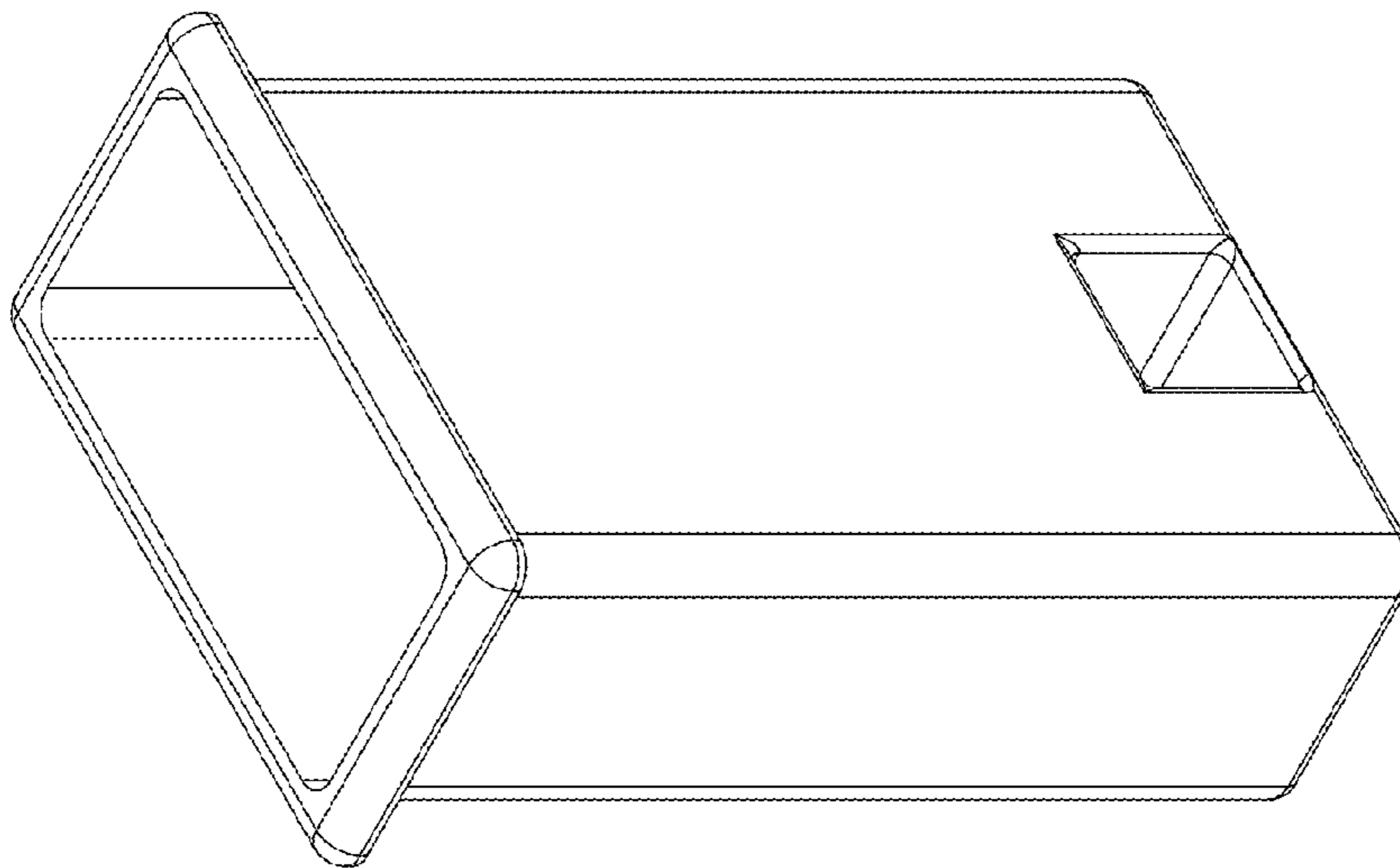


FIG. 1

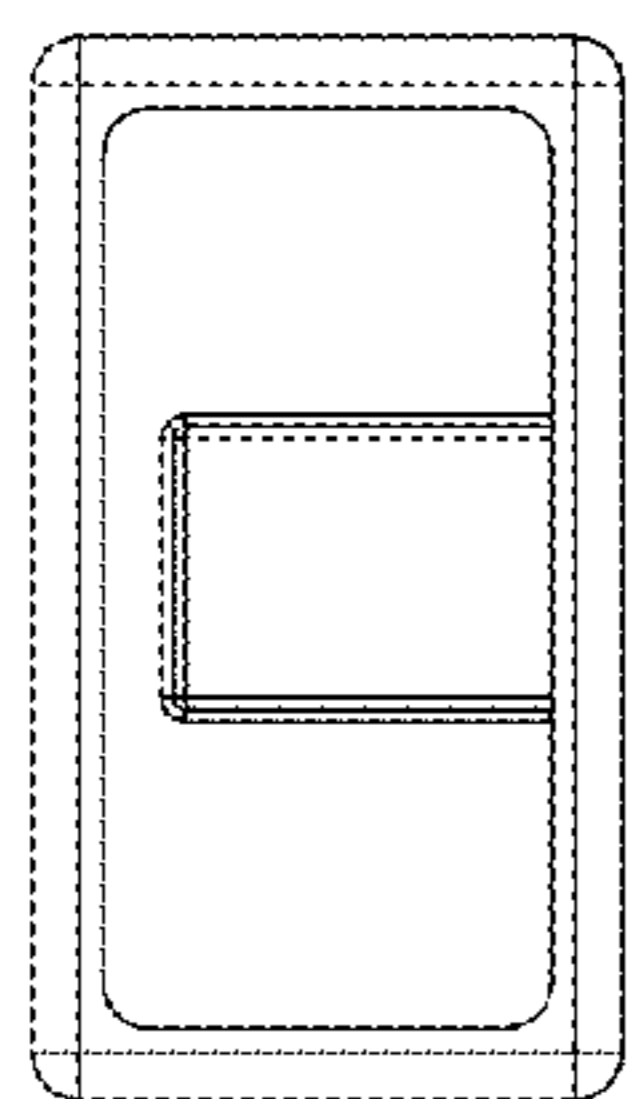


FIG. 4

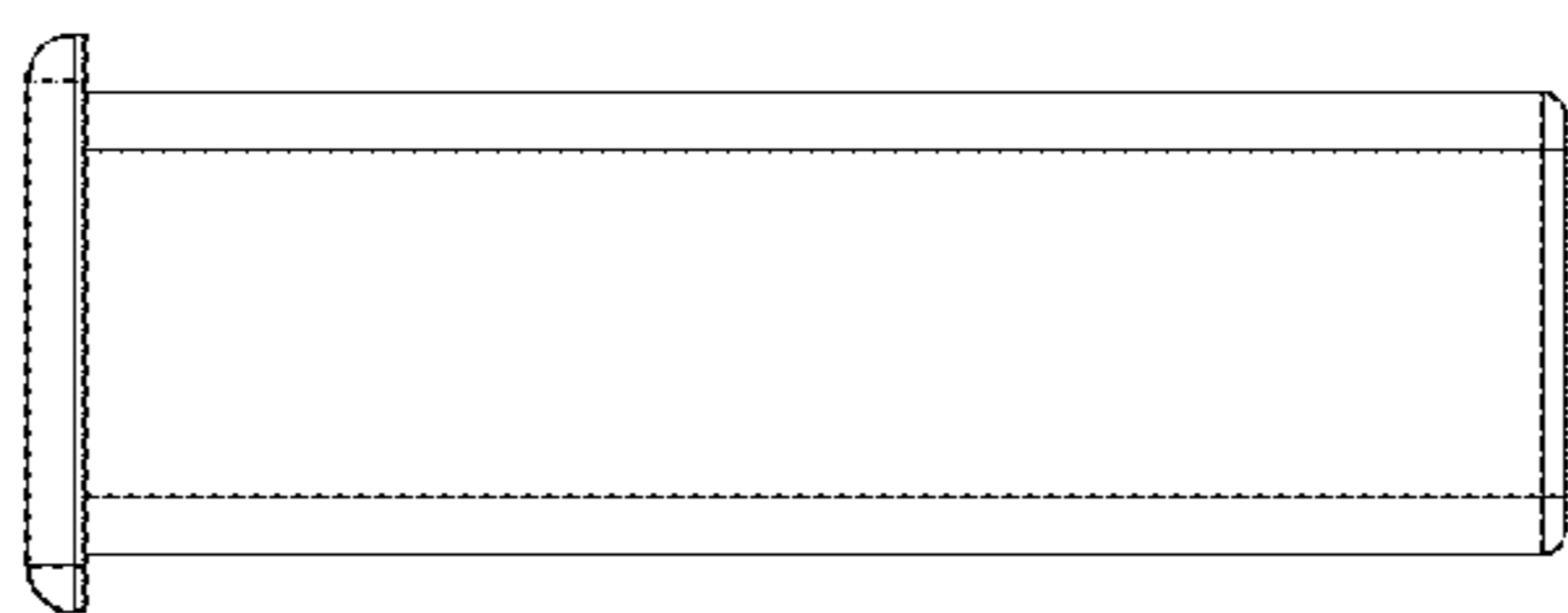


FIG. 7

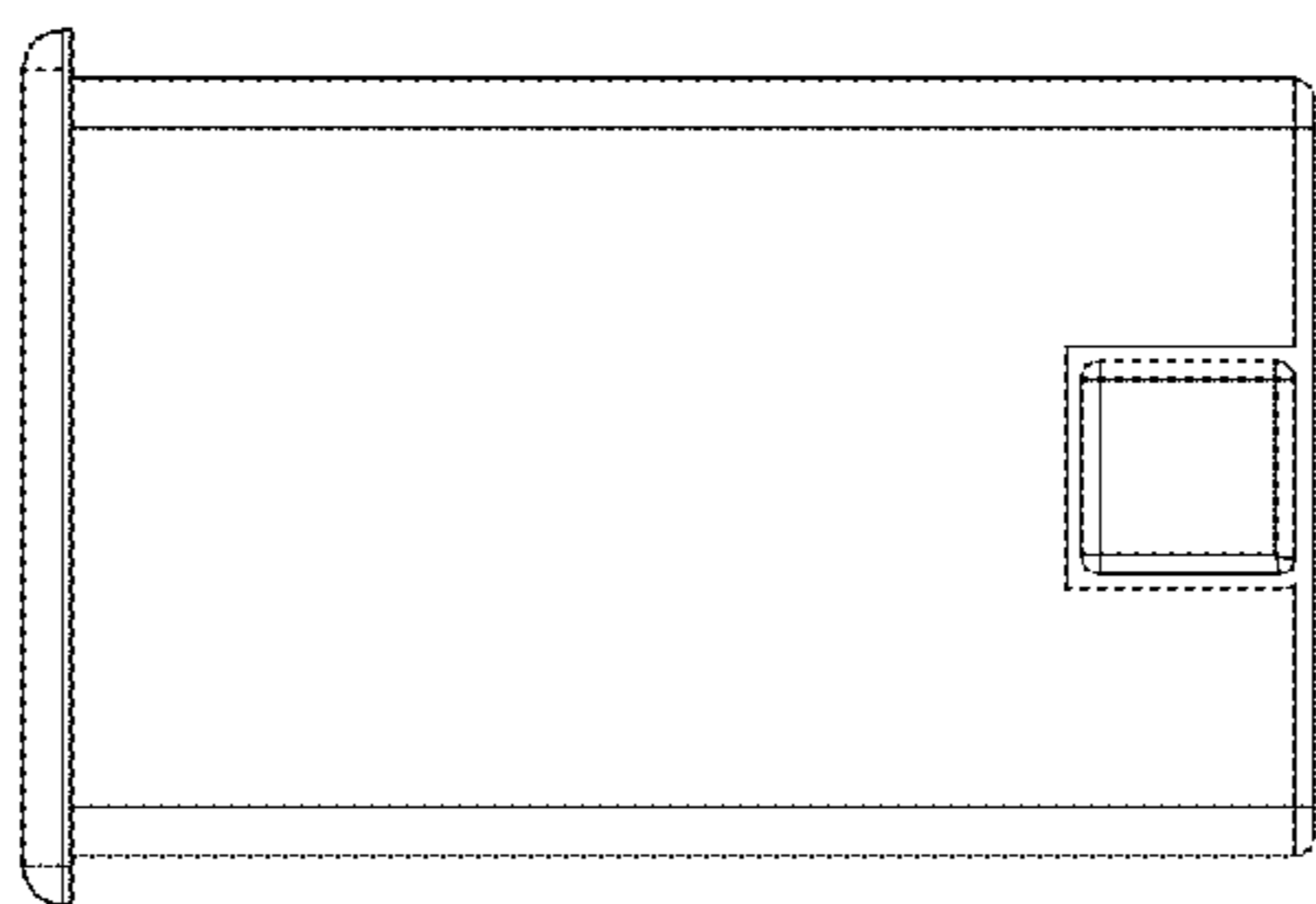


FIG. 3

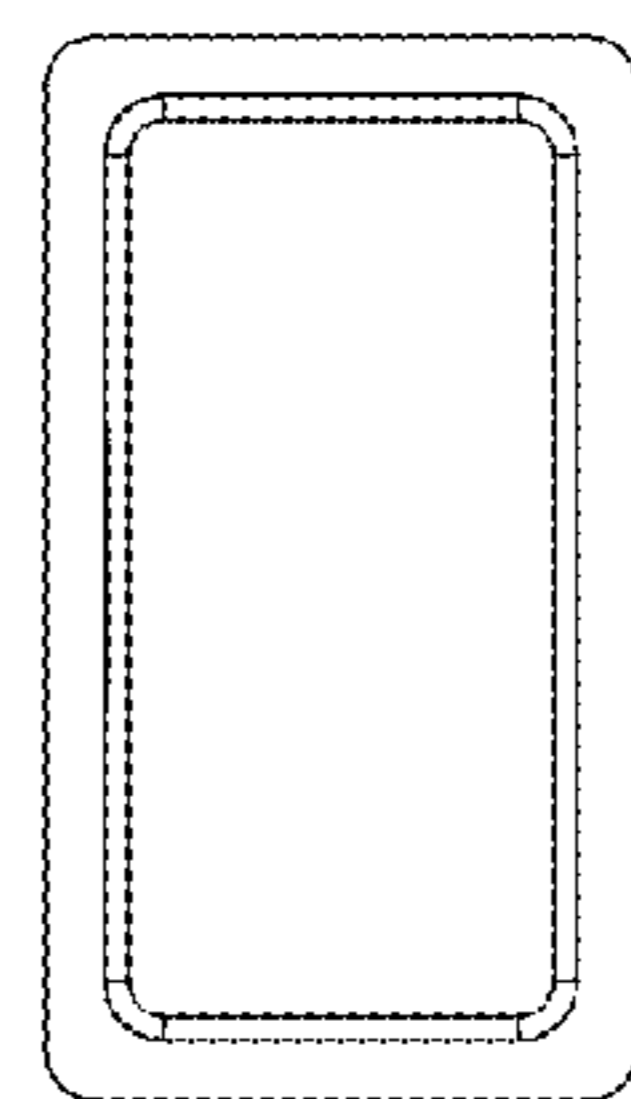


FIG. 5

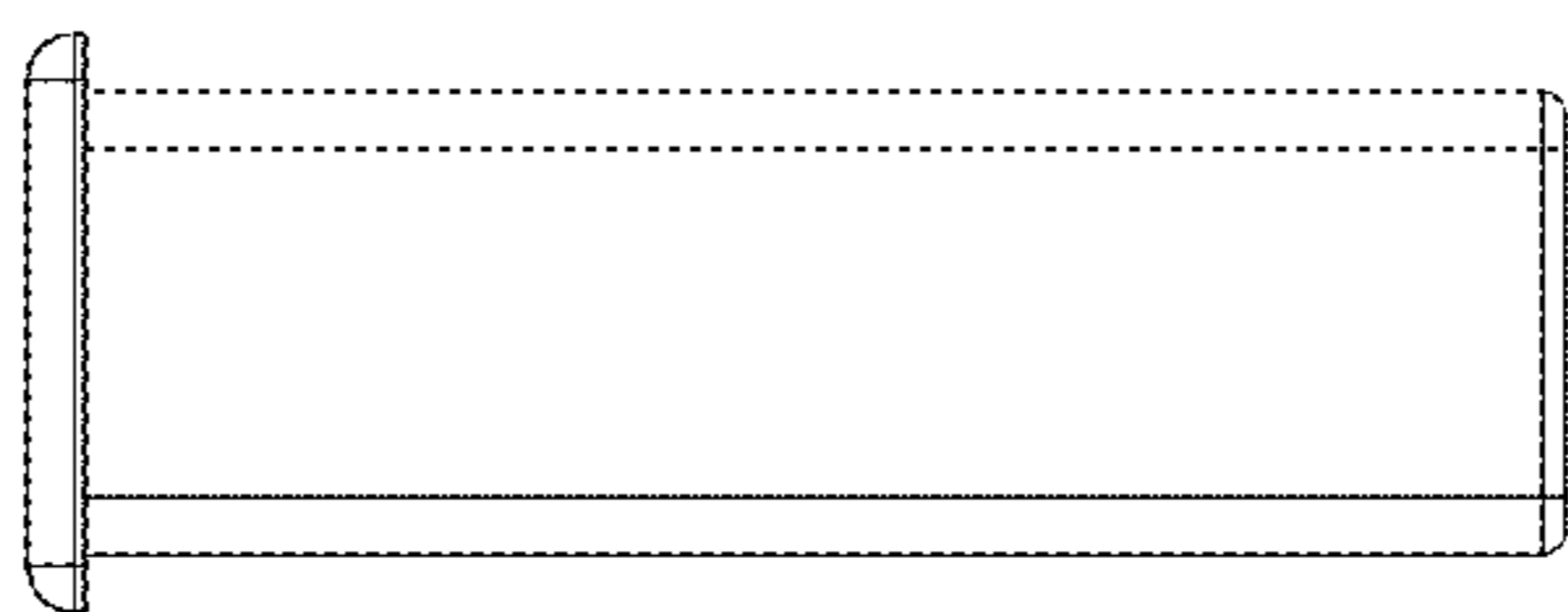


FIG. 6