



US00D730006S

(12) **United States Design Patent**
Dobson, III

(10) **Patent No.:** **US D730,006 S**
(45) **Date of Patent:** **** *May 19, 2015**

(54) **DUSTPAN**

(71) Applicant: **Eben W. Dobson, III**, Solana Beach, CA (US)

(72) Inventor: **Eben W. Dobson, III**, Solana Beach, CA (US)

(*) Notice: This patent is subject to a terminal disclaimer.

(**) Term: **14 Years**

(21) Appl. No.: **29/483,630**

(22) Filed: **Feb. 28, 2014**

(51) **LOC (10) Cl.** **07-05**

(52) **U.S. Cl.**
USPC **D32/74**

(58) **Field of Classification Search**
CPC A47L 13/52; A46B 15/0055; B65F 2210/136; B65F 1/1415; B65F 2220/12
USPC D32/74, 41; D30/162; D7/691, 688; D4/116; 15/257.5, 257.3, 257.2, 257.1; 134/6
See application file for complete search history.

(56) **References Cited**

U.S. PATENT DOCUMENTS

626,843 A * 6/1899 Richardson 15/257.5
735,360 A * 8/1903 Furrow 15/257.5
2,651,924 A * 9/1953 Lawrence 15/257.1

D180,303 S * 5/1957 Timmons D32/74
3,056,992 A * 10/1962 Clough 15/257.3
5,826,297 A * 10/1998 Footer et al. 15/257.2
D426,353 S * 6/2000 Renforth D30/162
D462,529 S * 9/2002 Best et al. D4/116
6,733,056 B2 * 5/2004 Daniele 294/212
D493,265 S * 7/2004 Libman et al. D32/74
D509,035 S * 8/2005 Libman et al. D32/74
7,047,907 B1 * 5/2006 Johnston 119/867
D602,214 S * 10/2009 Petersen D30/162
D602,657 S * 10/2009 Petersen D30/162
D636,139 S * 4/2011 Jones et al. D32/74
D643,985 S * 8/2011 Dedrick D32/74
D673,340 S * 12/2012 Dobson, III D32/74

* cited by examiner

Primary Examiner — Austin Murphy

(74) *Attorney, Agent, or Firm* — San Diego IP Law Group LLP

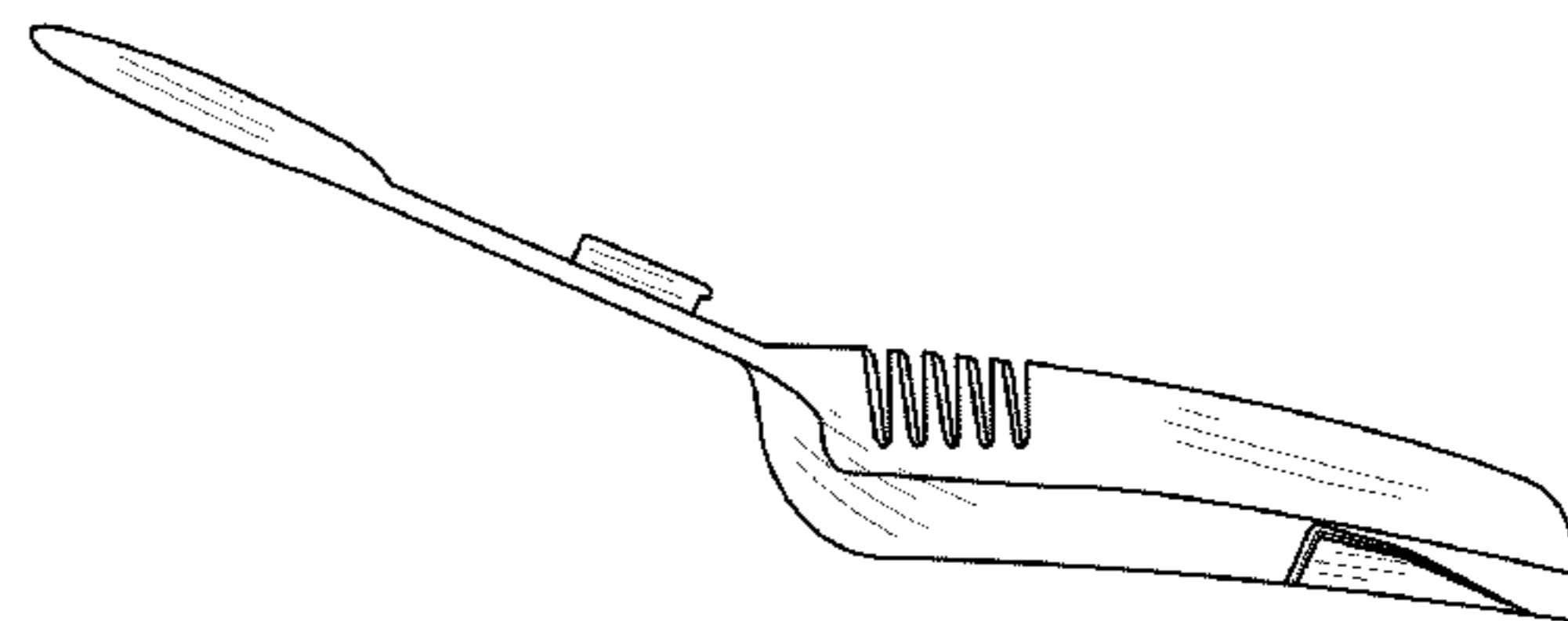
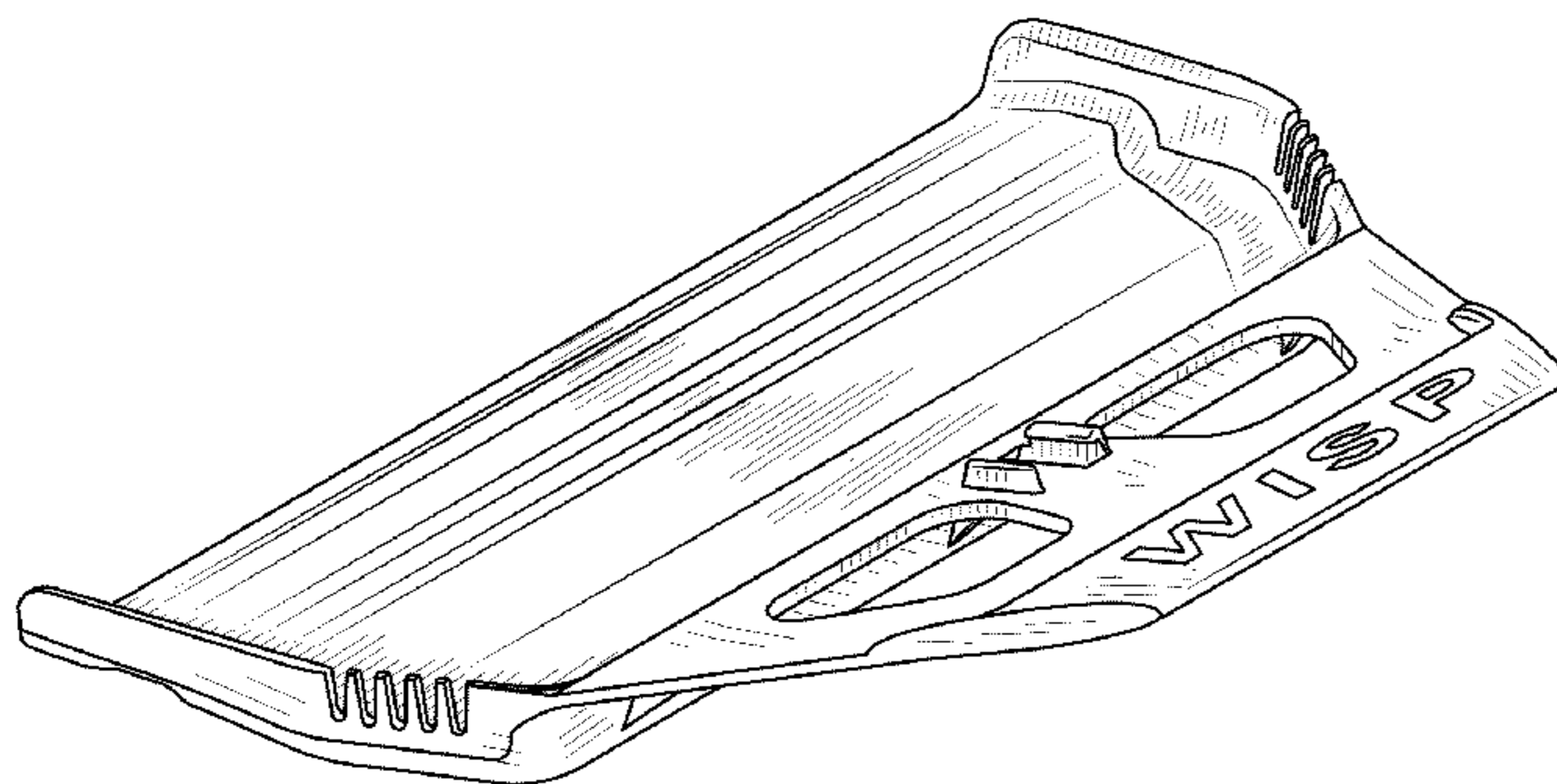
(57) **CLAIM**

I claim the ornamental design for a dustpan, as shown and described.

DESCRIPTION

FIG. 1 is a perspective view of a dustpan;
FIG. 2 is a front view thereof;
FIG. 3 is a rear view thereof;
FIG. 4 is a side view thereof;
FIG. 5 is an opposite side view thereof;
FIG. 6 is a top plan view thereof; and,
FIG. 7 is a bottom view thereof.

1 Claim, 4 Drawing Sheets



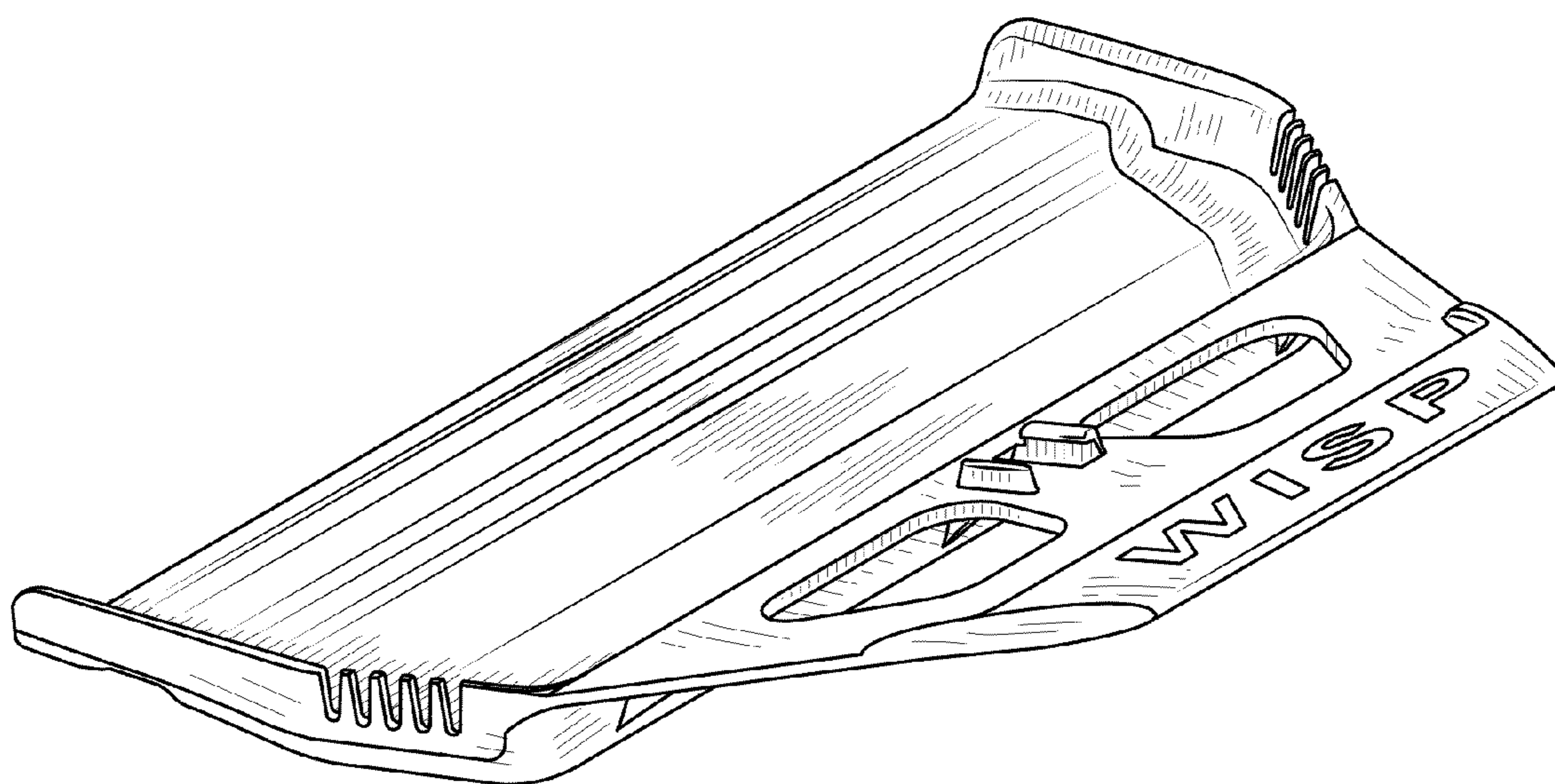


FIG. 1

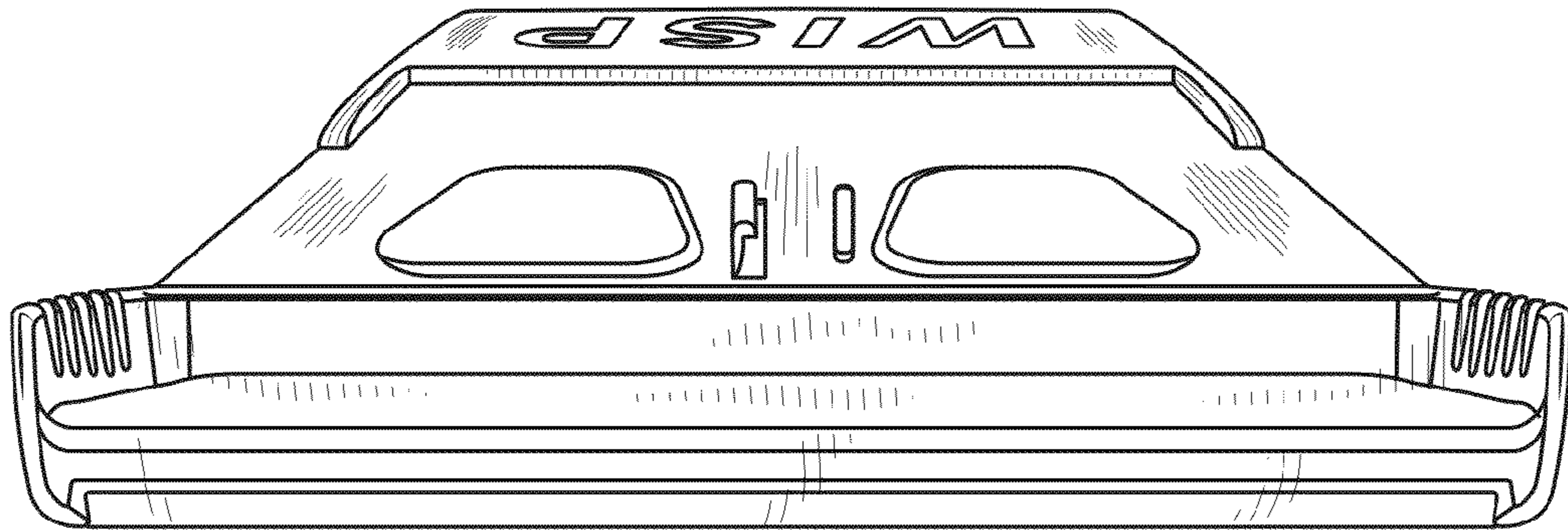


FIG. 2

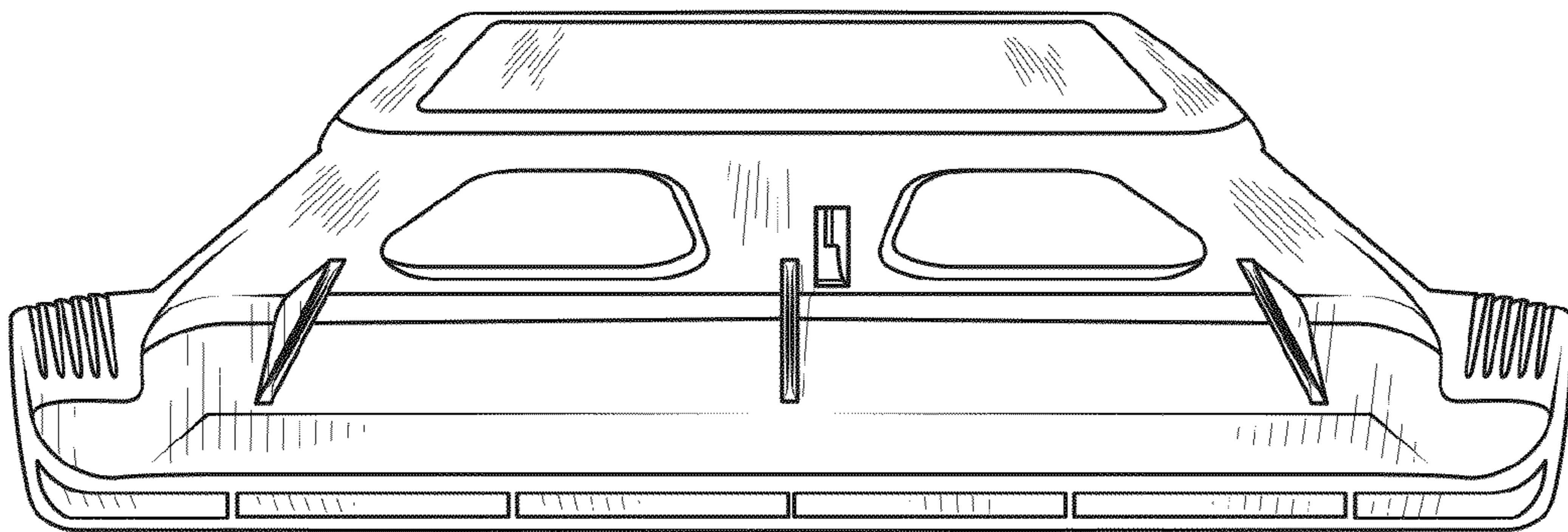


FIG. 3

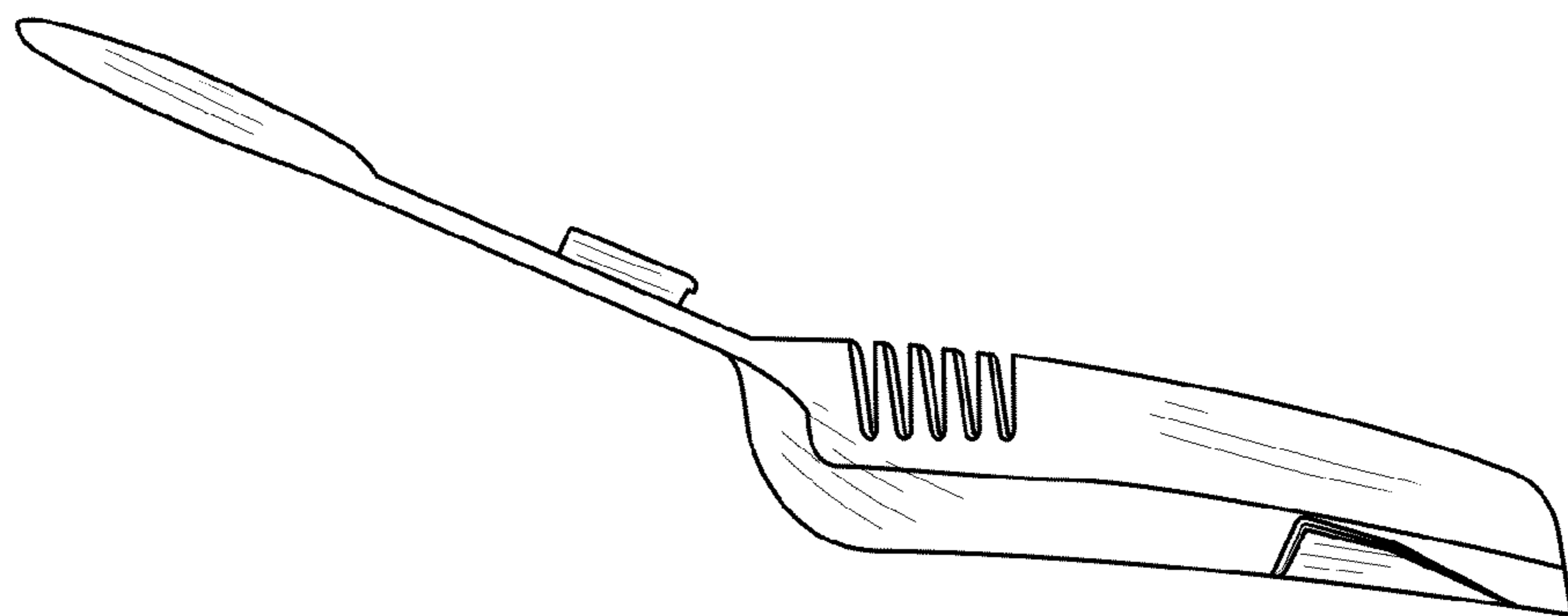


FIG. 4

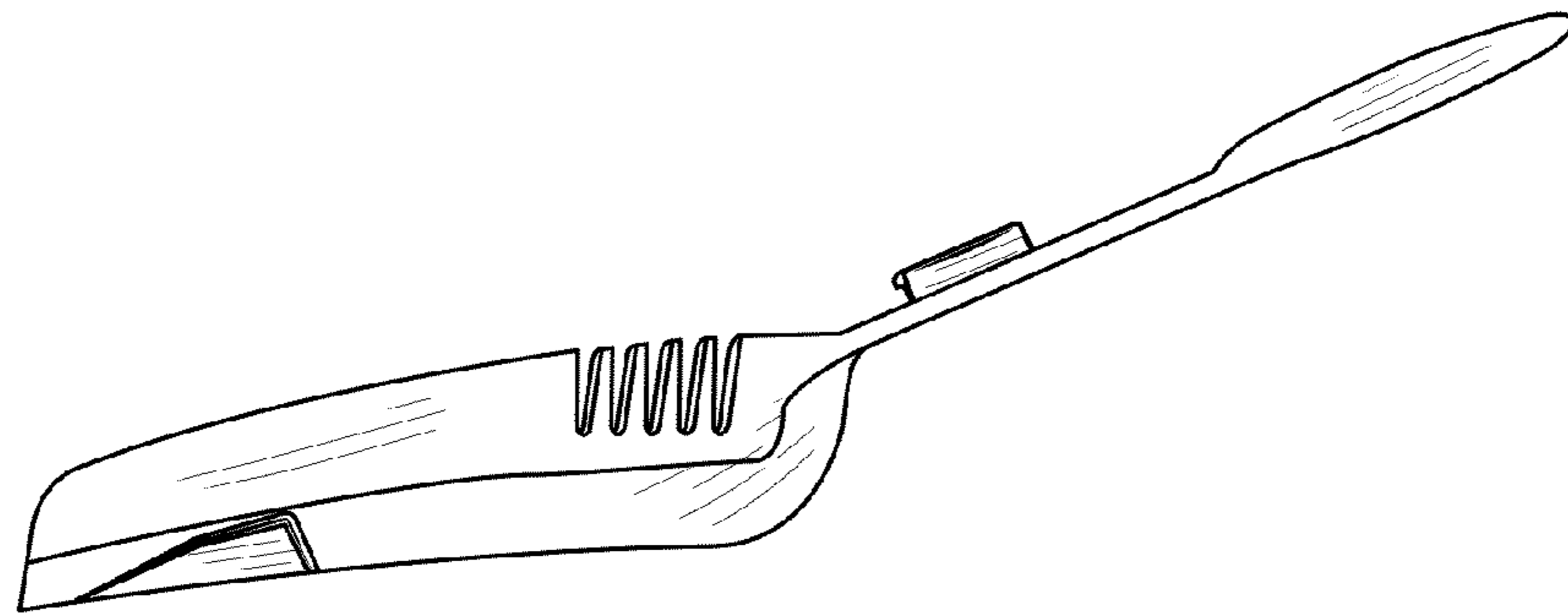


FIG. 5

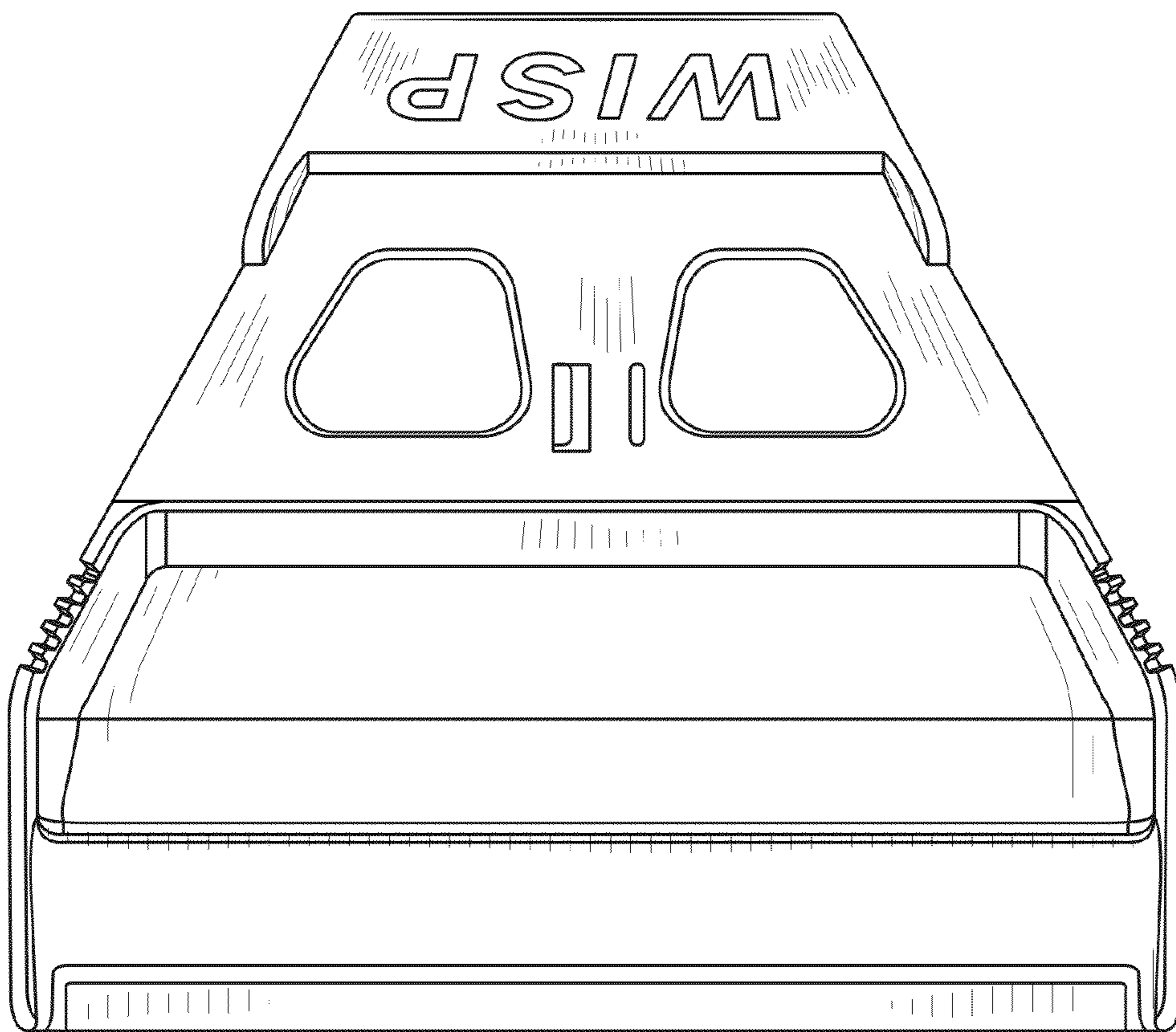


FIG. 6

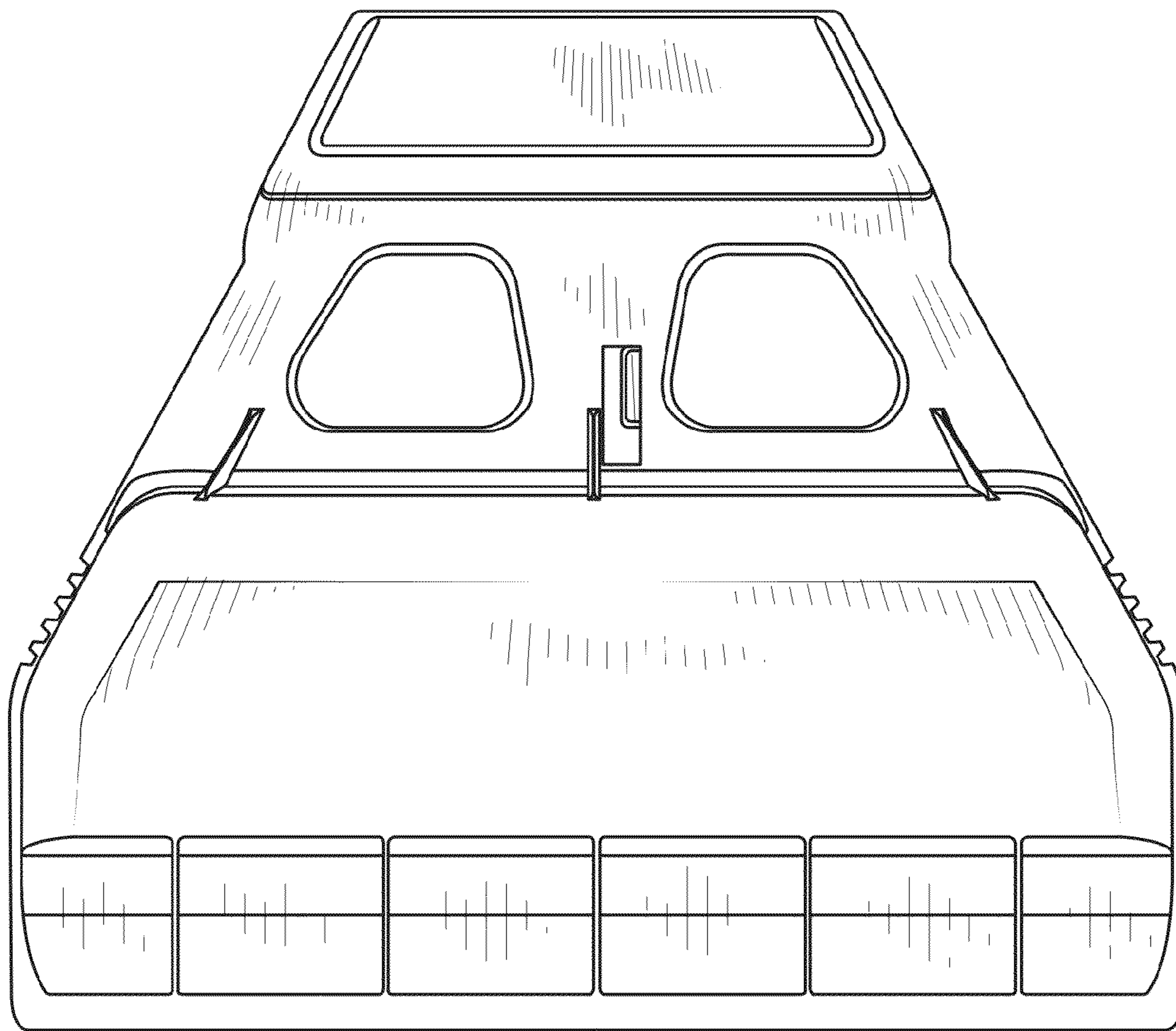


FIG. 7