

US00D730003S

(12) **United States Design Patent**
Cheon et al.

(10) **Patent No.:** **US D730,003 S**
(45) **Date of Patent:** **** May 19, 2015**

(54) **VACUUM CLEANER**

(71) Applicant: **Samsung Electronics Co., Ltd.**,
Suwon-Si, Gyeonggi-Do (KR)

(72) Inventors: **Dongwon Cheon**, Seoul (KR); **Eui-ju Lee**, Guri-si (KR); **Tae-hoon Lee**, Seoul (KR); **Sang-hwi Choi**, Changwon-si (KR)

(73) Assignee: **Samsung Electronics Co., Ltd.**,
Gyeonggi-do (KR)

(**) Term: **14 Years**

(21) Appl. No.: **29/459,213**

(22) Filed: **Jun. 27, 2013**

(30) **Foreign Application Priority Data**

Dec. 28, 2012 (KR) 30-2012-0063078

(51) **LOC (10) Cl.** **15-05**

(52) **U.S. Cl.**
USPC **D32/33**

(58) **Field of Classification Search**
CPC . A47L 7/004; A47L 11/4036; A47L 11/4041;
A47L 7/0023; A47L 7/009; A47L 11/30;
A47L 11/34
USPC D32/21-24, 32-34; 15/353, 320-321,
15/323, 340.2, 412, 339, 327.1-327.7
See application file for complete search history.

(56) **References Cited**

U.S. PATENT DOCUMENTS

D510,465 S * 10/2005 Takahashi et al. D32/22
D532,944 S * 11/2006 Choi D32/22

D587,870 S * 3/2009 Baek et al. D32/22
D610,317 S * 2/2010 Lee et al. D32/22
D610,318 S * 2/2010 Shin D32/22
D633,264 S * 2/2011 Lee D32/22
D647,263 S * 10/2011 Luebbering et al. D32/22
D647,675 S * 10/2011 Lee D32/32
D652,589 S * 1/2012 Lee D32/22
D667,184 S * 9/2012 Chu et al. D32/33
D670,878 S * 11/2012 Lee D32/22
D684,326 S * 6/2013 Okabe et al. D32/22
D693,072 S * 11/2013 Lee et al. D32/22
D693,073 S * 11/2013 Eun-Sun et al. D32/22
D700,759 S * 3/2014 Wu et al. D32/32

* cited by examiner

Primary Examiner — Ruth McInroy

(74) *Attorney, Agent, or Firm* — Harness, Dickey & Pierce

(57) **CLAIM**

We claim the ornamental design for a vacuum cleaner, as shown and described.

DESCRIPTION

FIG. 1 is the front/right-side/top perspective view of a vacuum cleaner showing our new design;
FIG. 2 is the front elevational view thereof;
FIG. 3 is the rear elevational view thereof;
FIG. 4 is the left-side elevational view thereof;
FIG. 5 is the right-side elevational view thereof;
FIG. 6 is a top plan view thereof;
FIG. 7 is a bottom plan view thereof;
FIG. 8 is a perspective view thereof, showing the cleaning bar in an extended position; and,
FIG. 9 is a bottom plan view of FIG. 8.
The broken lines in the drawings represent unclaimed portions that form no part of the claimed design.

1 Claim, 9 Drawing Sheets

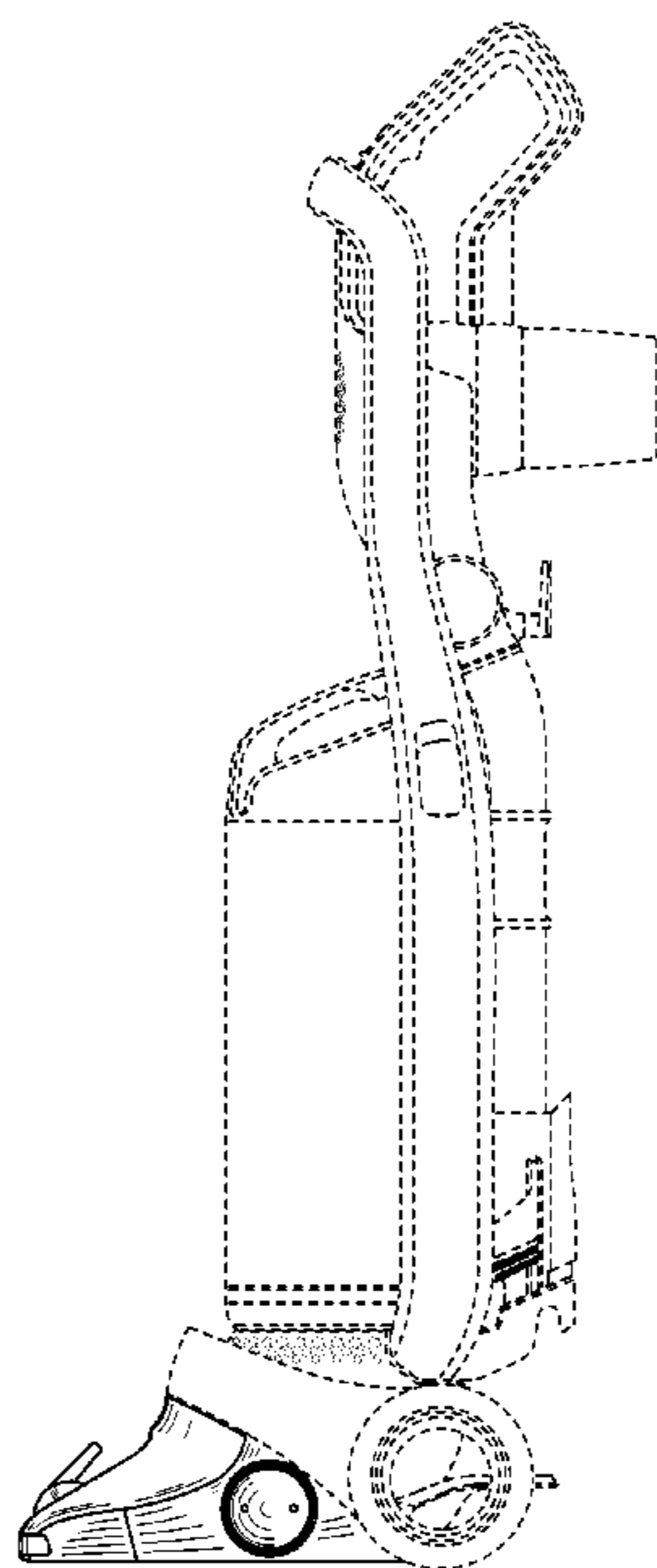
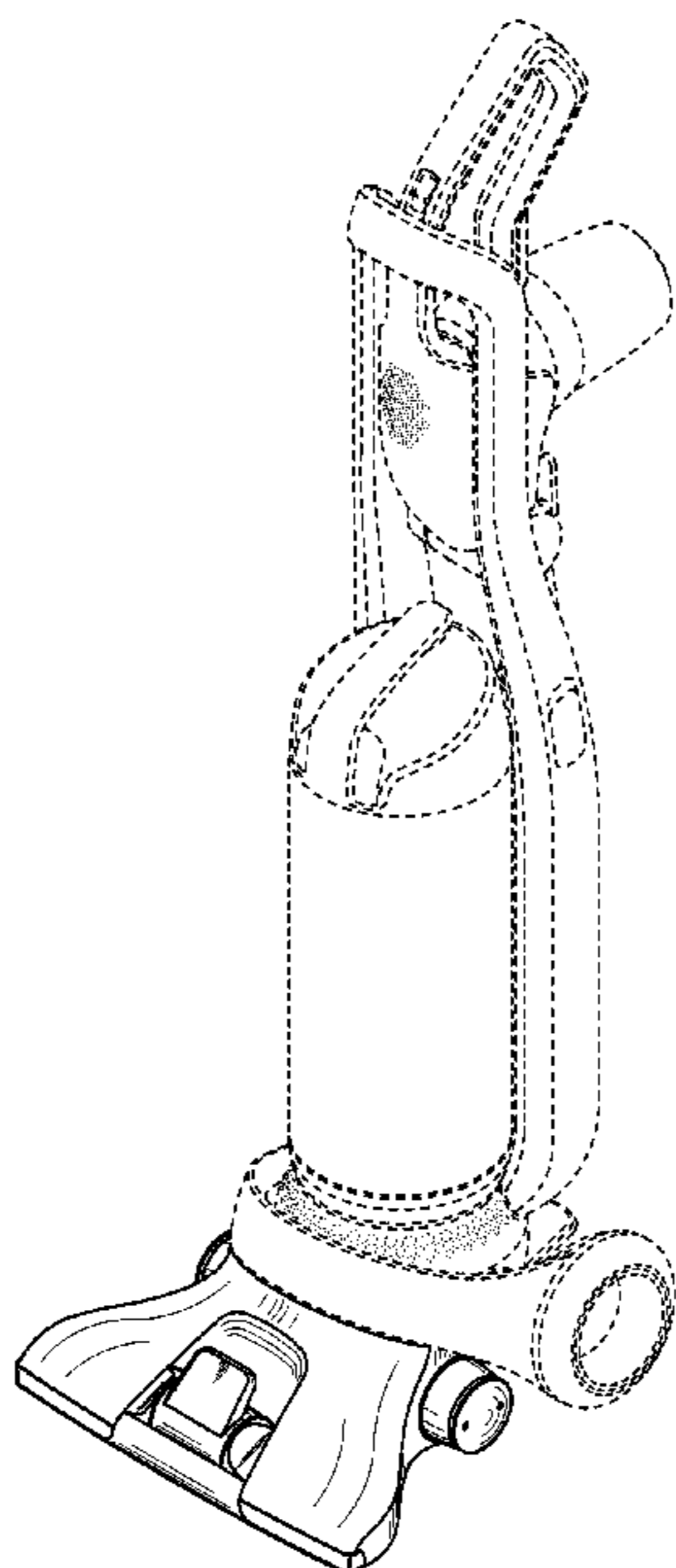


FIG. 1

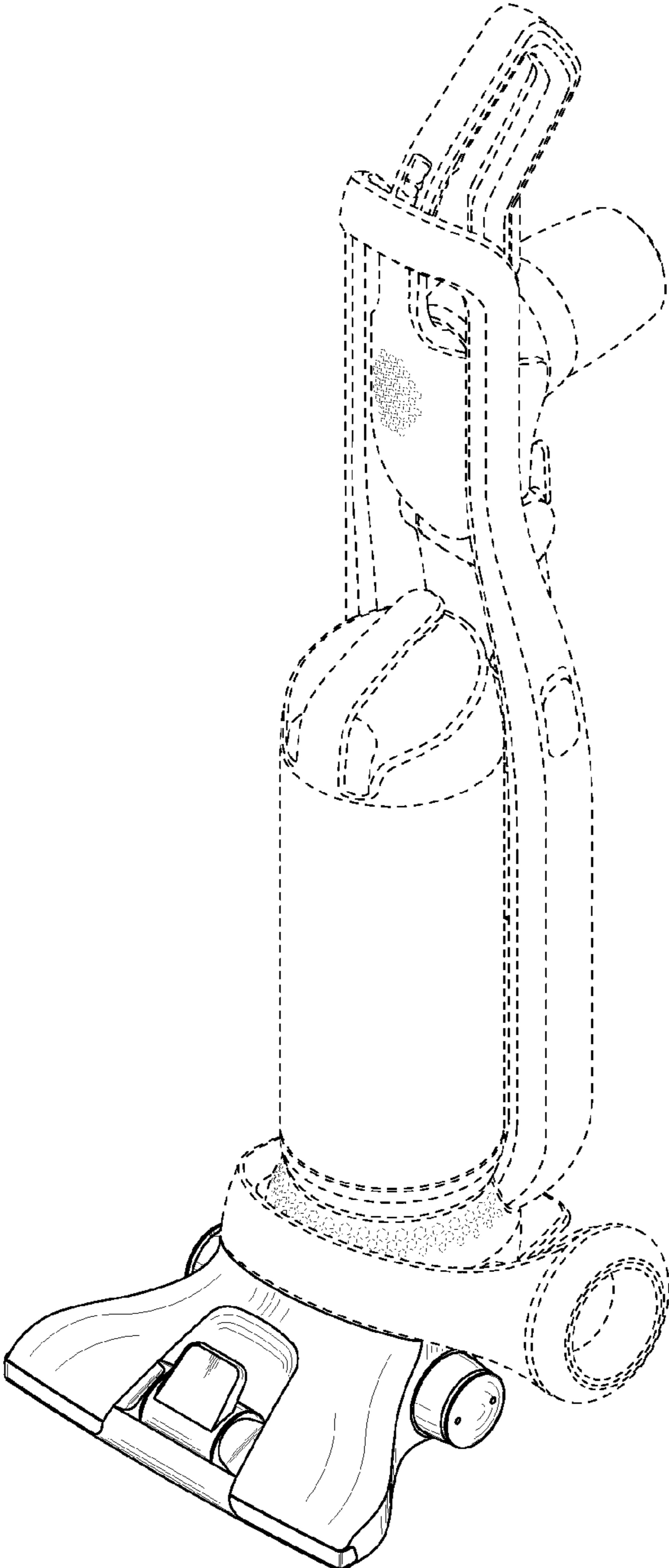


FIG. 2

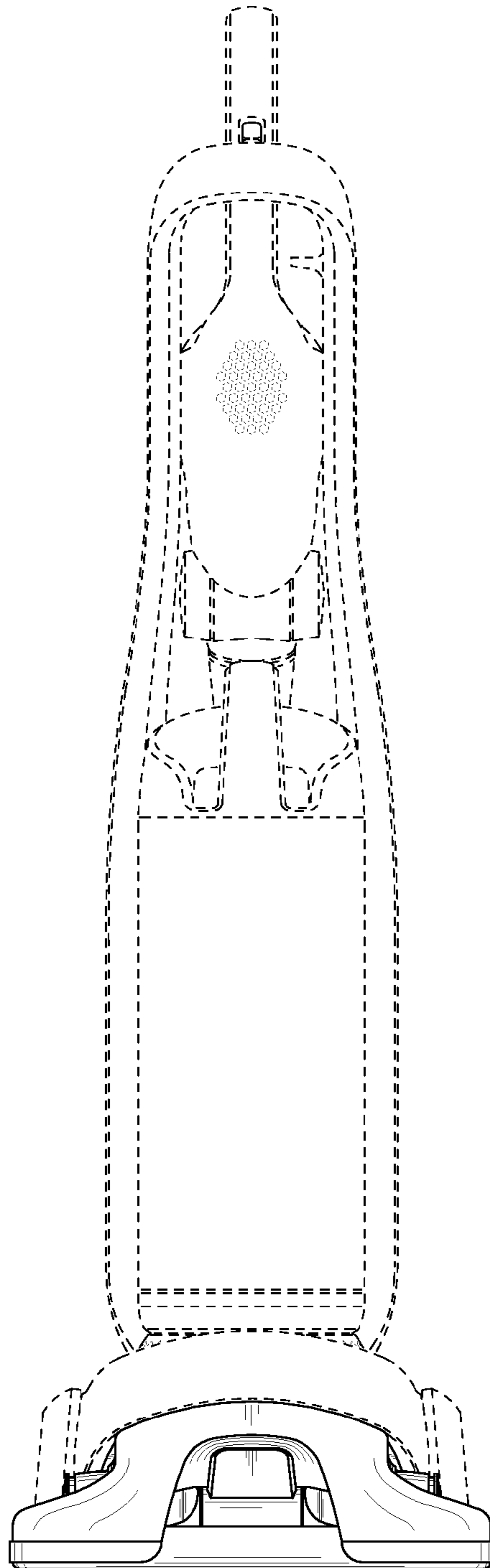


FIG. 3

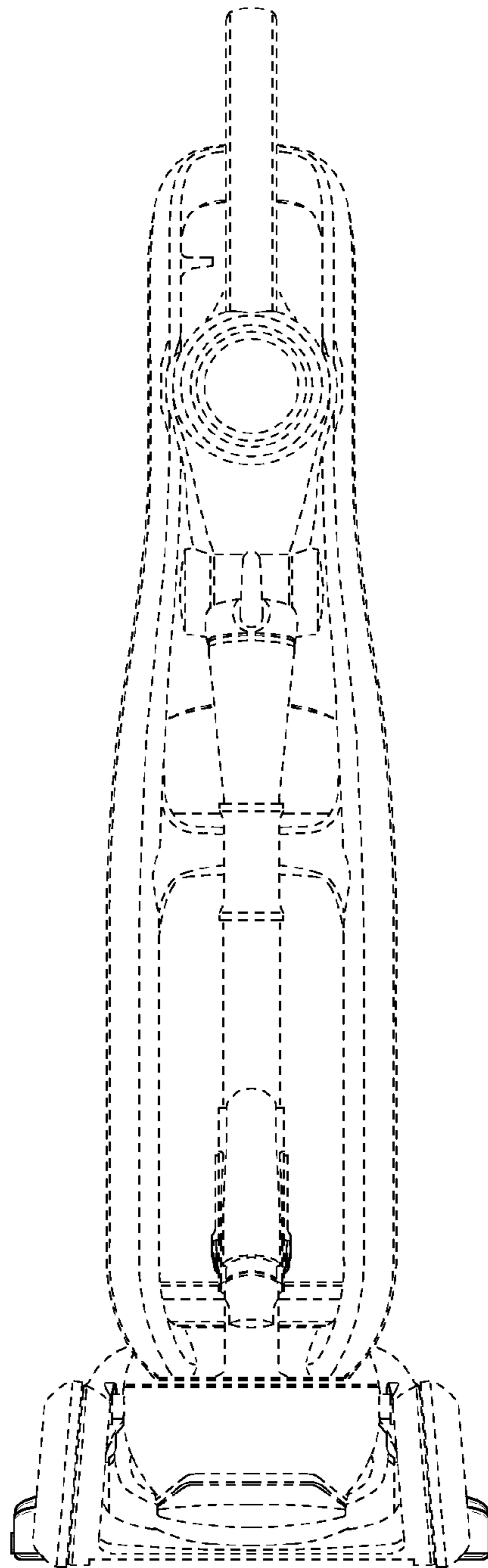


FIG. 4

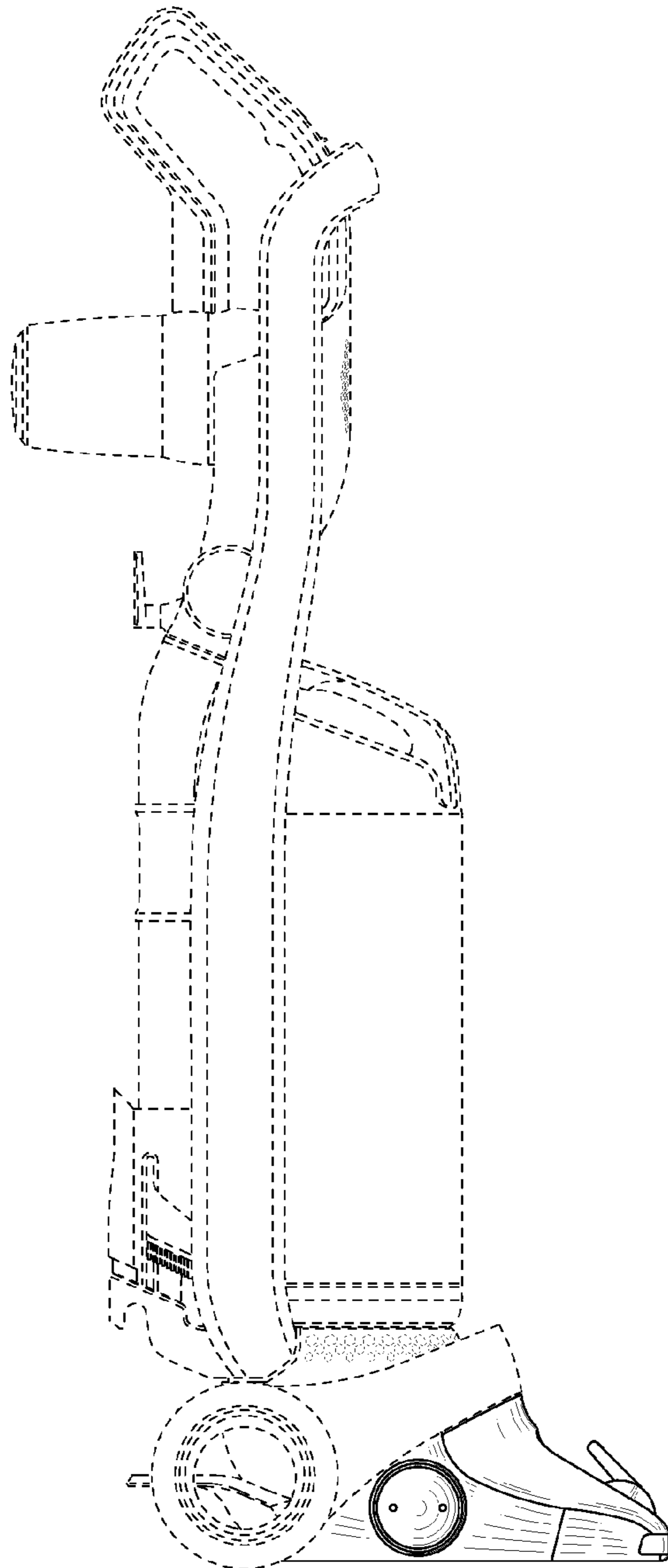


FIG. 5

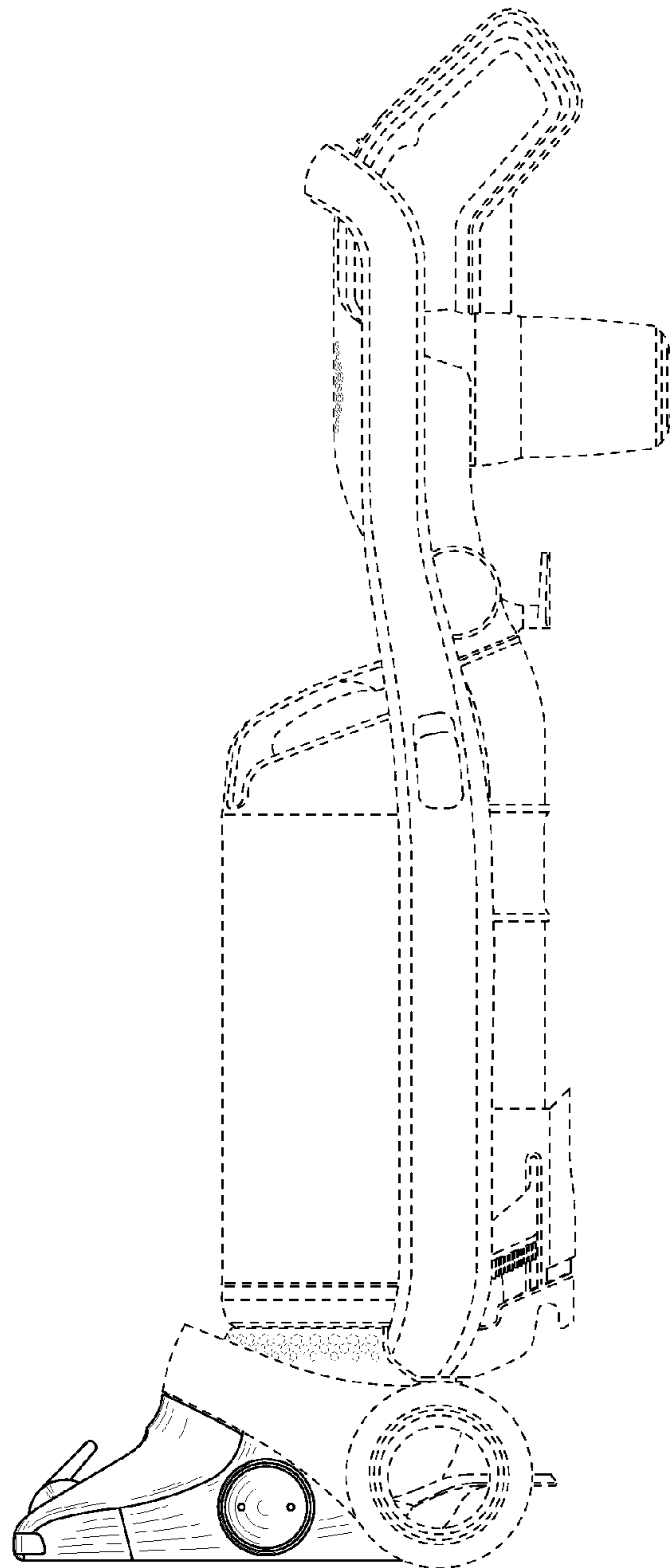


FIG. 6

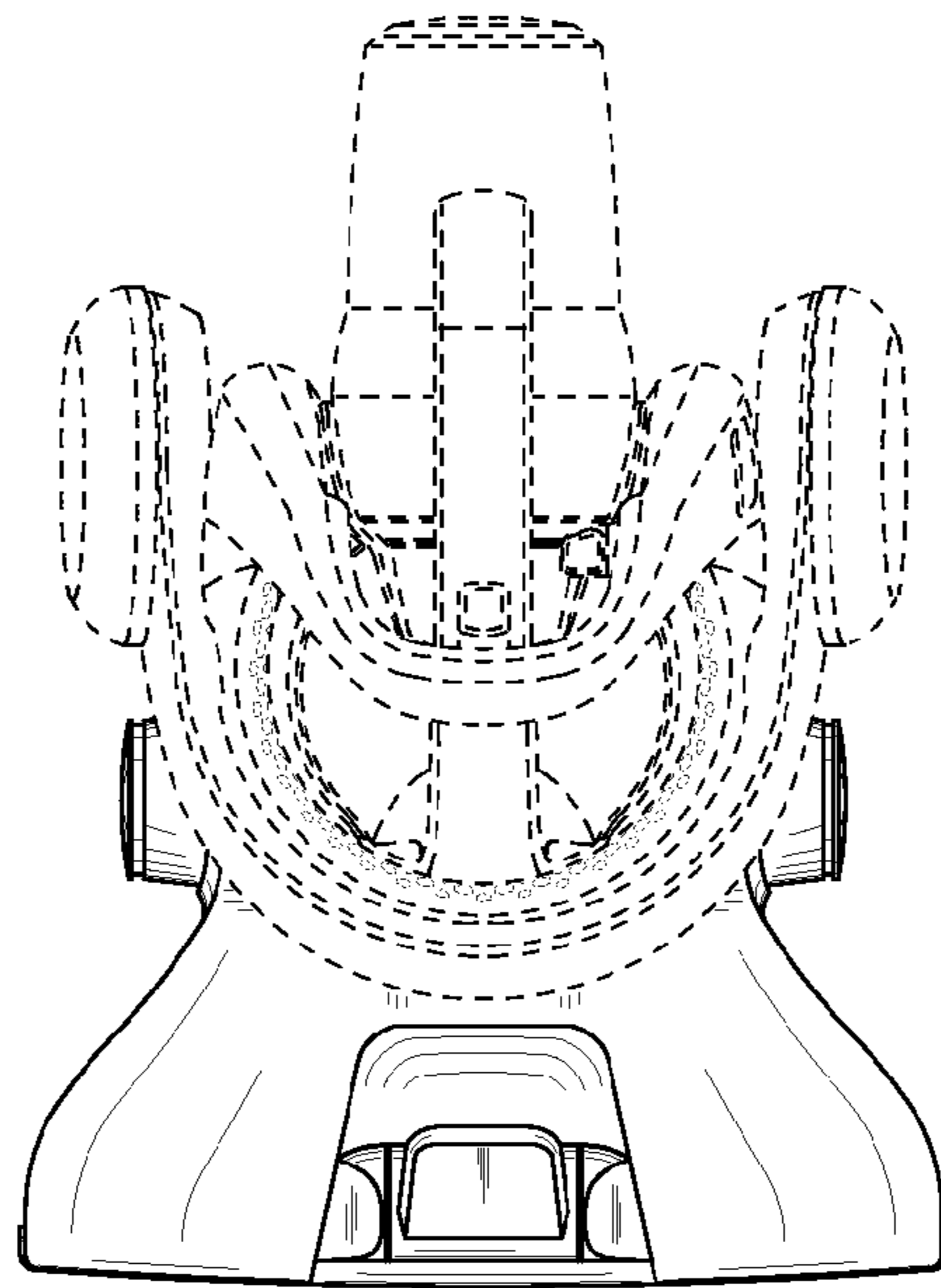


FIG. 7

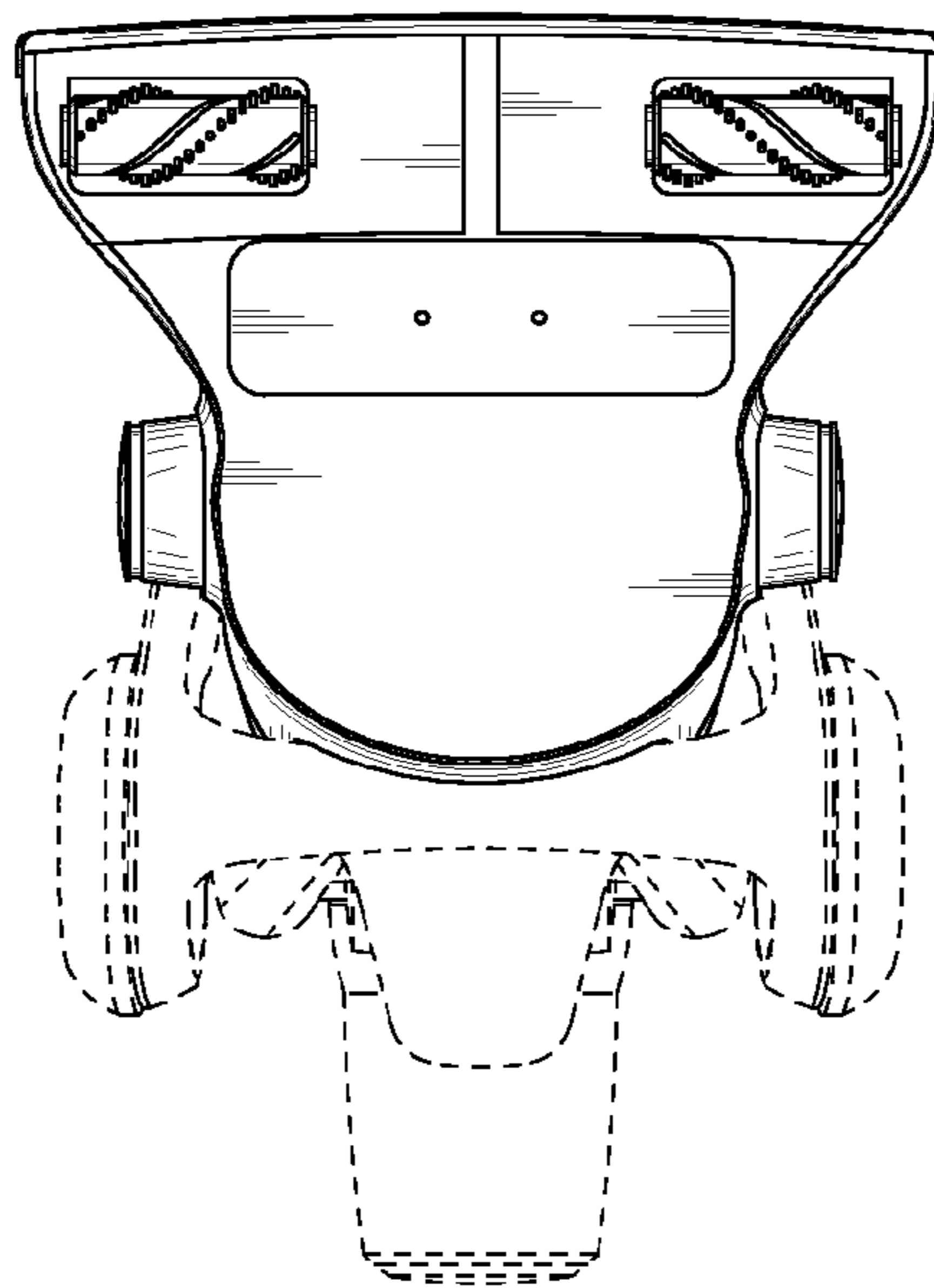


FIG. 8

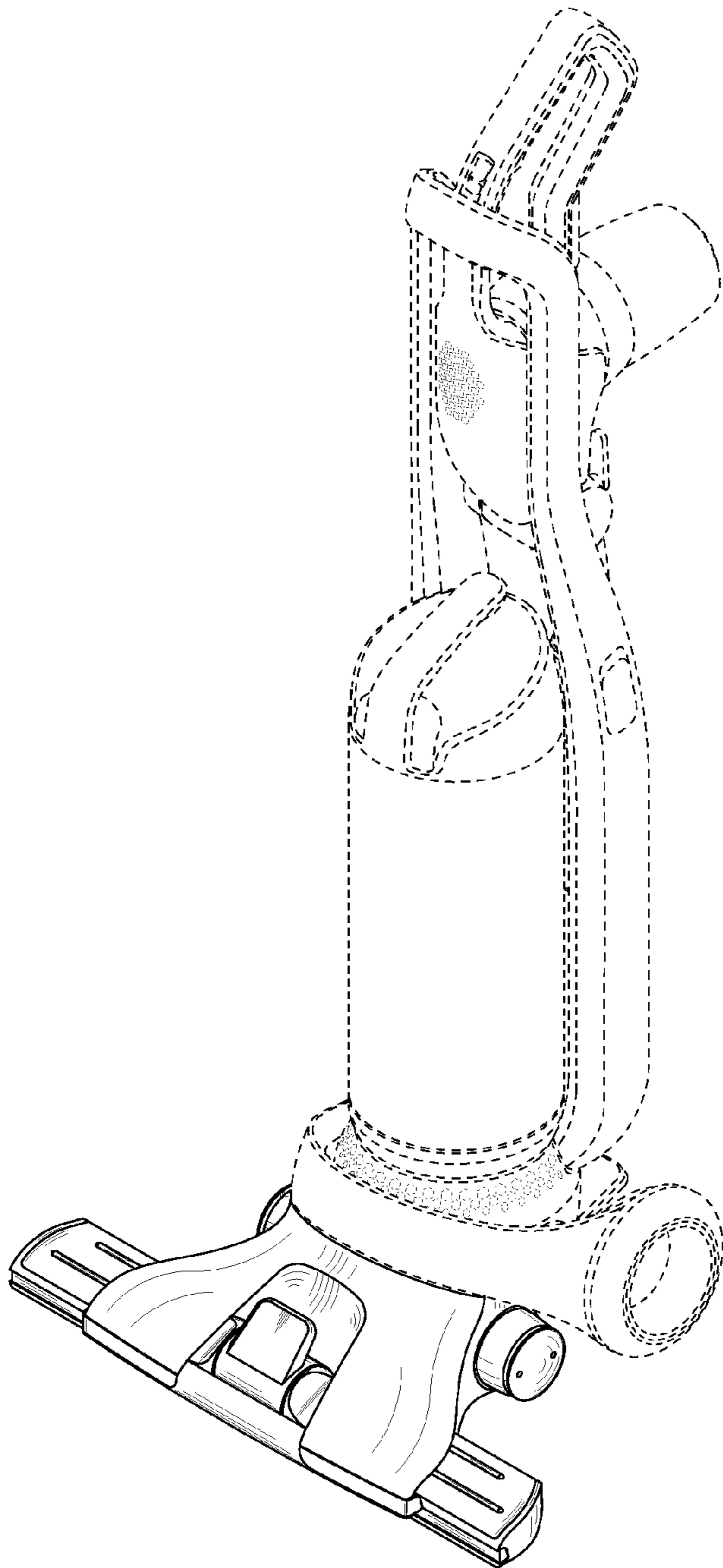


FIG. 9

