



US00D730001S

(12) **United States Design Patent**
Yun et al.

(10) **Patent No.:** **US D730,001 S**
(45) **Date of Patent:** **** May 19, 2015**

(54) **VACUUM CLEANER**

(71) Applicant: **Samsung Electronics Co., Ltd.**,
Suwon-si (KR)

(72) Inventors: **Deoksang Yun**, Anssan-si (KR);
YeonYoung Nam, Goyang-si (KR)

(73) Assignee: **Samsung Electronics Co., Ltd.**,
Suwon-si (KR)

(**) Term: **14 Years**

(21) Appl. No.: **29/483,019**

(22) Filed: **Feb. 25, 2014**

(30) **Foreign Application Priority Data**

Sep. 2, 2013 (KR) 30-2013-0045141

(51) **LOC (10) Cl.** **15-05**

(52) **U.S. Cl.**
USPC **D32/22**

(58) **Field of Classification Search**
USPC D32/15-16, 18-21, 22, 30-34; D15/18;
D12/111, 114; 15/410-412, 246.2,
15/320, 329, 344, 350, 347, DIG. 10, 349,
15/351-353, 340.2, 361, 362; 55/DIG. 3,
55/323, 337, 429; D8/68-69
See application file for complete search history.

(56) **References Cited**

U.S. PATENT DOCUMENTS

D462,813 S * 9/2002 Nakano et al. D32/22
D532,944 S * 11/2006 Choi D32/22

D537,584 S * 2/2007 Greene et al. D32/22
D587,870 S * 3/2009 Baek et al. D32/22
D588,760 S * 3/2009 Chun et al. D32/22
D607,160 S * 12/2009 Yu et al. D32/22
D610,317 S * 2/2010 Lee et al. D32/22
D610,318 S * 2/2010 Shin D32/22
D633,264 S * 2/2011 Lee D32/22
D652,589 S * 1/2012 Lee D32/22
D659,313 S * 5/2012 Shin et al. D32/22
D666,368 S * 8/2012 Ghim et al. D32/22
D671,697 S * 11/2012 Kim et al. D32/22
D684,326 S * 6/2013 Okabe et al. D32/22
8,713,752 B2 * 5/2014 Kang 15/352
2011/0219578 A1 * 9/2011 Liu et al. 15/350
2012/0131760 A1 * 5/2012 Louis et al. 15/320
2014/0082883 A1 * 3/2014 Tran 15/353

* cited by examiner

Primary Examiner — Ruth McInroy

(74) *Attorney, Agent, or Firm* — NSIP Law

(57) **CLAIM**

We claim the ornamental design for a vacuum cleaner, as shown and described.

DESCRIPTION

FIG. 1 is a front perspective view of a vacuum cleaner showing our new design;
FIG. 2 is a front view thereof;
FIG. 3 is a rear view thereof;
FIG. 4 is a left-side view thereof;
FIG. 5 is a right-side view thereof;
FIG. 6 is a top view thereof; and,
FIG. 7 is a bottom view thereof.
The broken lines in the figures show portions of the vacuum cleaner which form no part of the claimed design.

1 Claim, 7 Drawing Sheets

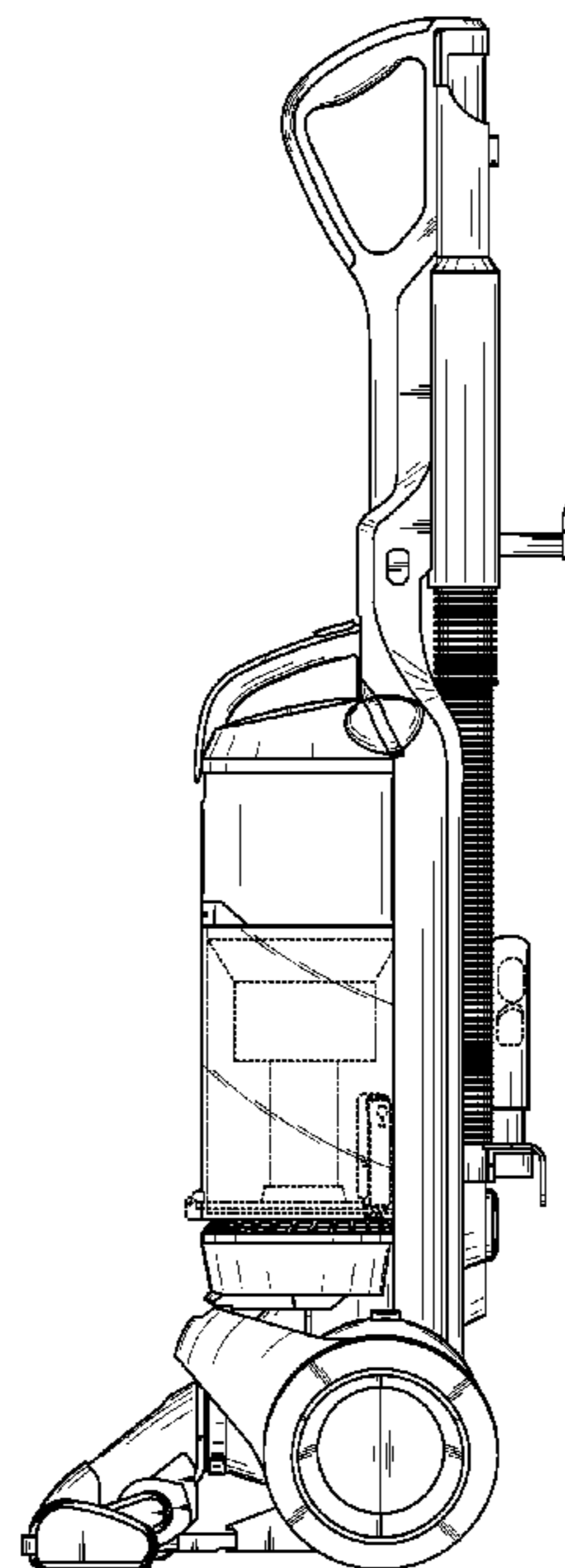
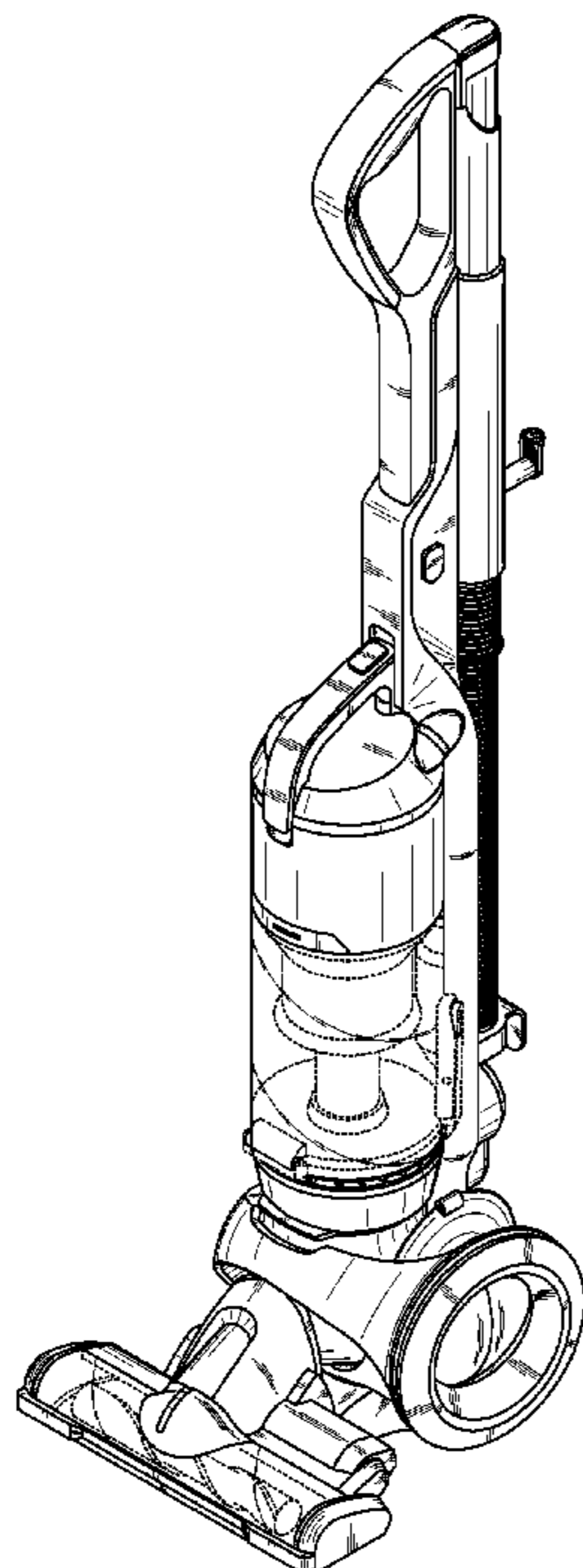


FIG. 1

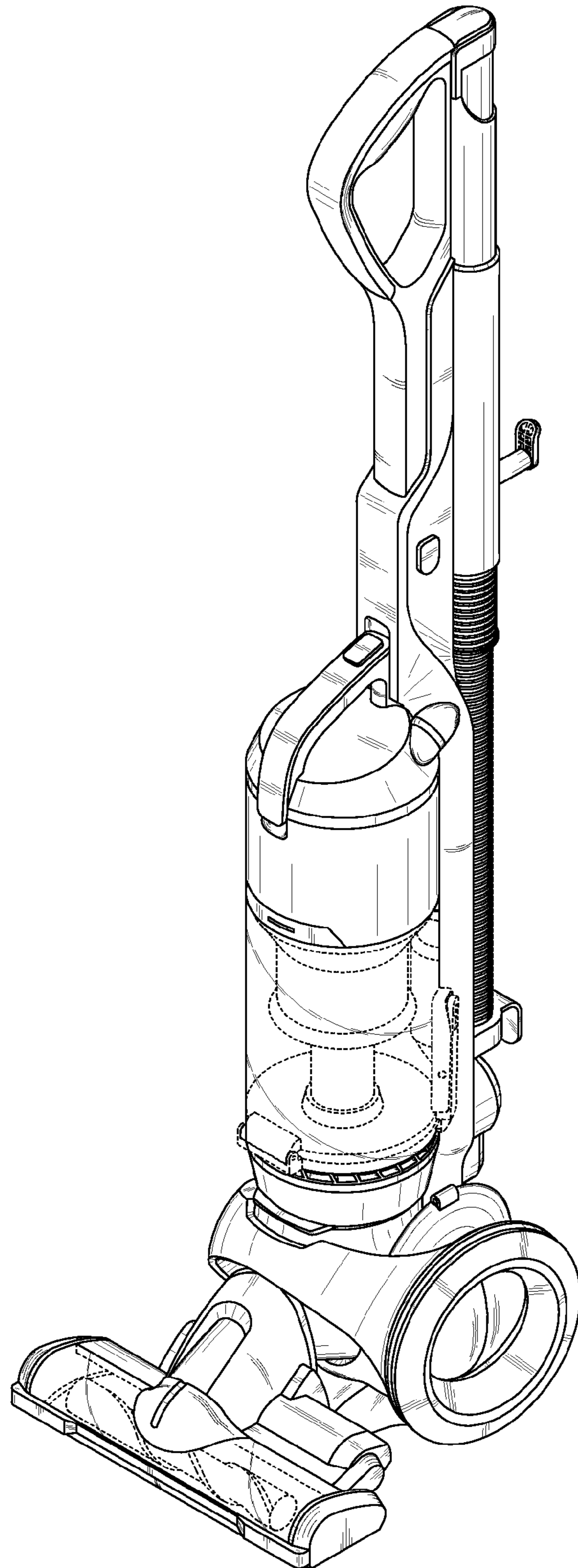


FIG. 2

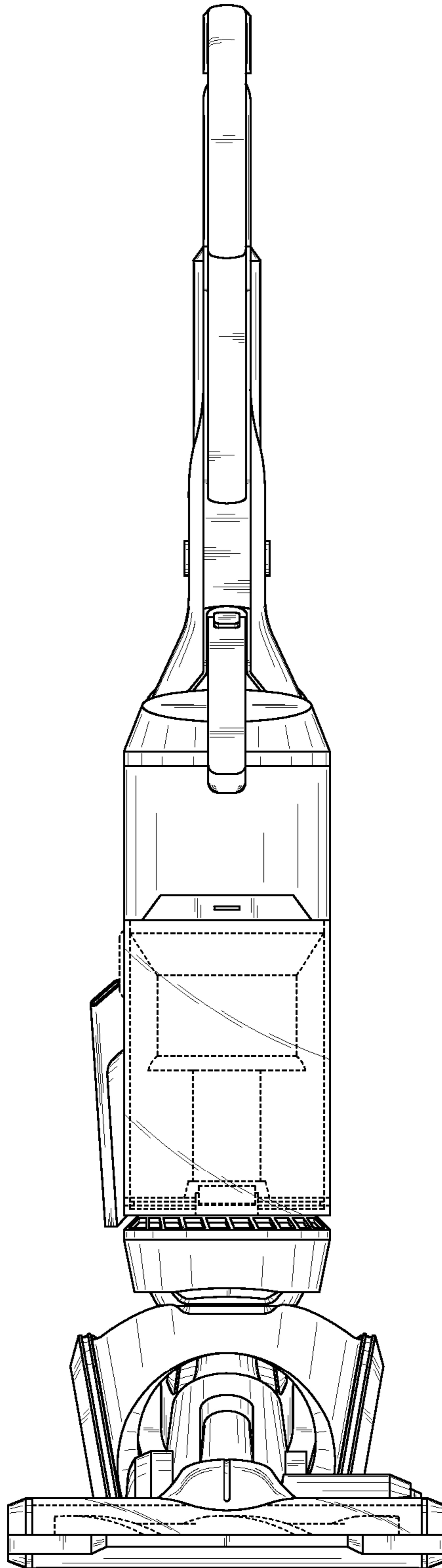


FIG. 3

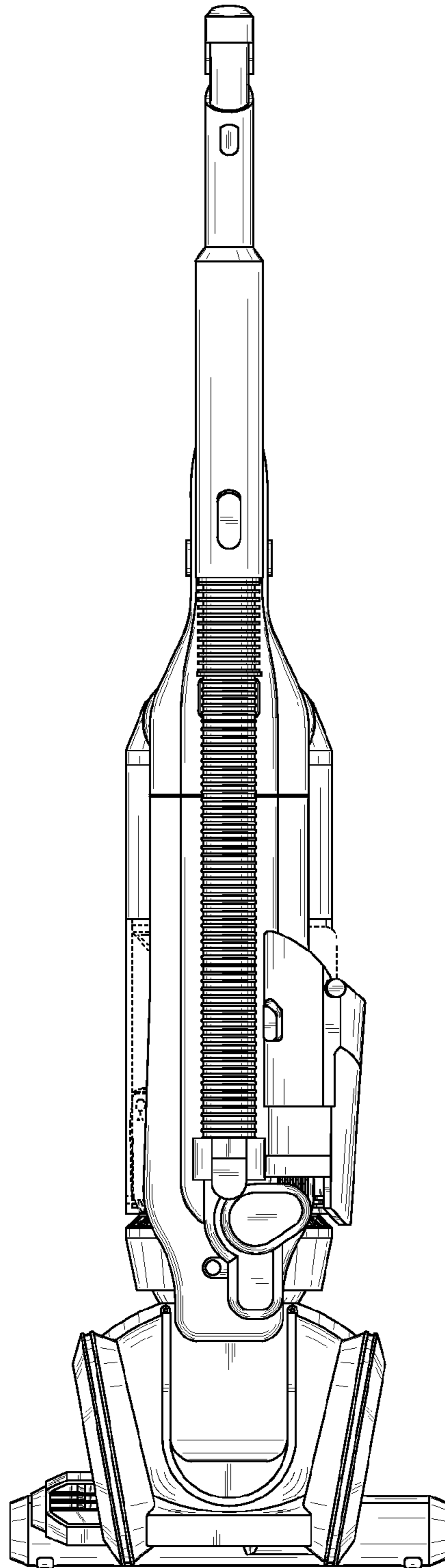


FIG. 4

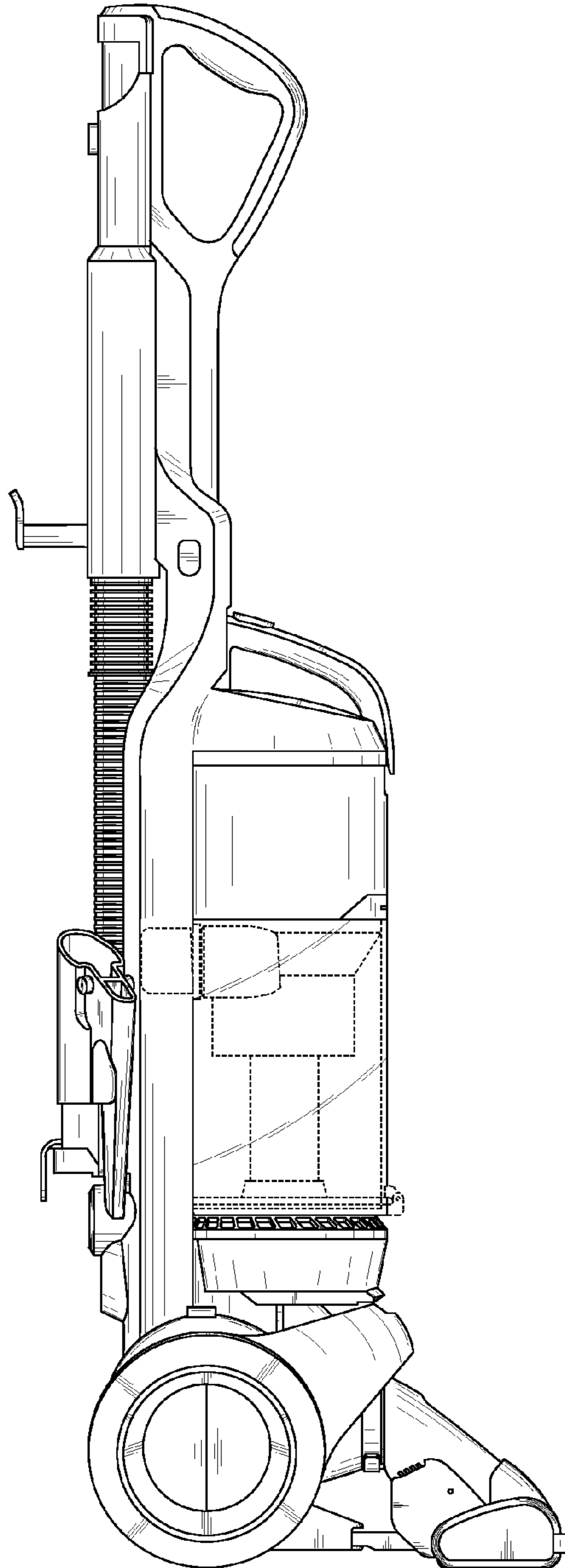


FIG. 5

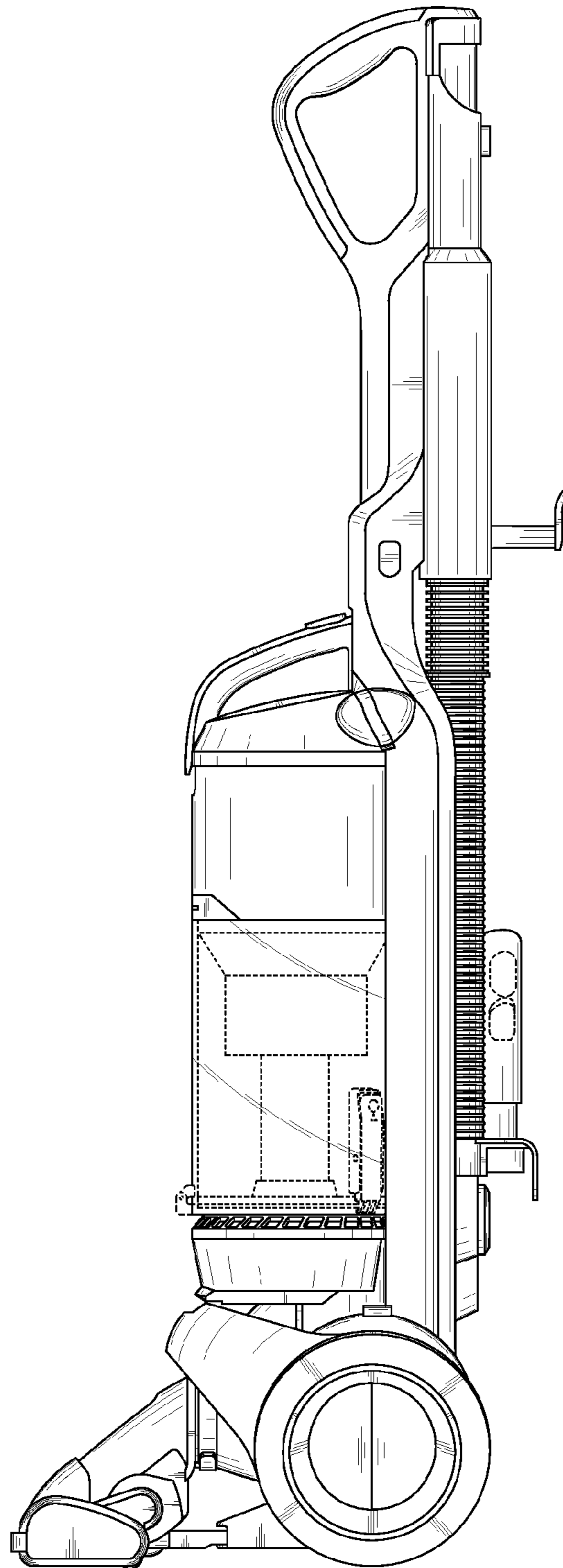


FIG. 6

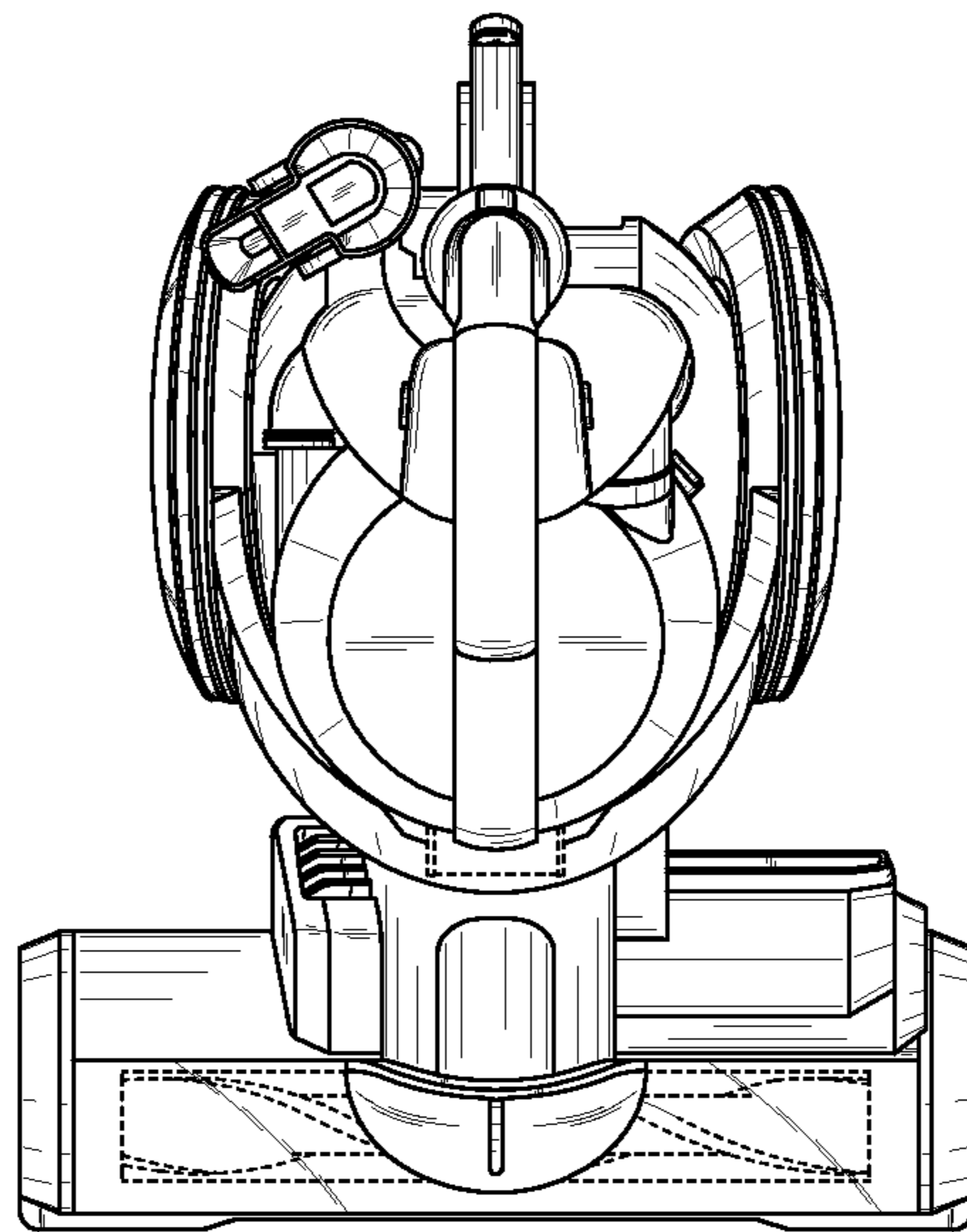


FIG. 7

