



US00D730000S

(12) **United States Design Patent**  
**Cheon et al.**

(10) **Patent No.:** **US D730,000 S**

(45) **Date of Patent:** **\*\* May 19, 2015**

(54) **VACUUM CLEANER**

(71) Applicant: **Samsung Electronics Co., Ltd.**,  
Suwon-Si, Gyeonggi-Do (KR)

(72) Inventors: **Dongwon Cheon**, Seoul (KR); **Eui-ju Lee**, Guri-si (KR); **Tae-hoon Lee**, Seoul (KR); **Sang-hwi Choi**, Changwon-si (KR)

(73) Assignee: **Samsung Electronics Co., Ltd.**,  
Gyeonggi-do (KR)

(\*\*) Term: **14 Years**

(21) Appl. No.: **29/459,229**

(22) Filed: **Jun. 27, 2013**

(30) **Foreign Application Priority Data**

Dec. 28, 2012 (KR) ..... 30-2012-0063081

(51) **LOC (10) Cl.** ..... **15-05**

(52) **U.S. Cl.**  
USPC ..... **D32/22**

(58) **Field of Classification Search**

CPC . A47L 7/004; A47L 11/4036; A47L 11/4041;  
A47L 7/0023; A47L 7/009; A47L 11/30

USPC ..... D32/21-24, 32-34; 15/353, 320-321,  
15/323, 340.2, 412, 339, 327.1-327.7

See application file for complete search history.

(56) **References Cited**

U.S. PATENT DOCUMENTS

D315,043	S	*	2/1991	Hayden	.....	D32/34
D431,335	S	*	9/2000	Mehaffey et al.	.....	D32/34
D453,404	S	*	2/2002	Farone et al.	.....	D32/34
D525,755	S	*	7/2006	Simmonds	.....	D32/34
D543,325	S	*	5/2007	Burnham	.....	D32/34
7,266,292	B1	*	9/2007	Tsai	.....	392/465
D561,415	S	*	2/2008	Tavano	.....	D32/34
D577,165	S	*	9/2008	Quance et al.	.....	D32/34
D641,112	S	*	7/2011	Lee	.....	D32/34
D641,114	S	*	7/2011	Choi et al.	.....	D32/34
D642,755	S	*	8/2011	Fjellman	.....	D32/34
D644,384	S	*	8/2011	Santiago et al.	.....	D32/34

\* cited by examiner

*Primary Examiner* — Ruth McInroy

(74) *Attorney, Agent, or Firm* — Harness, Dickey & Pierce

(57) **CLAIM**

We claim the ornamental design for a vacuum cleaner, as shown and described.

**DESCRIPTION**

FIG. 1 is a top, front and right-side perspective view of a vacuum cleaner showing our new design; FIG. 2 is the front elevational view thereof; FIG. 3 is the rear elevational view thereof; FIG. 4 is the left-side elevational view thereof; FIG. 5 is the right-side elevational view thereof; FIG. 6 is a top plan view thereof; and, FIG. 7 is a bottom plan view thereof.

The broken lines in the drawings represent unclaimed portions that form no part of the claimed design.

**1 Claim, 6 Drawing Sheets**

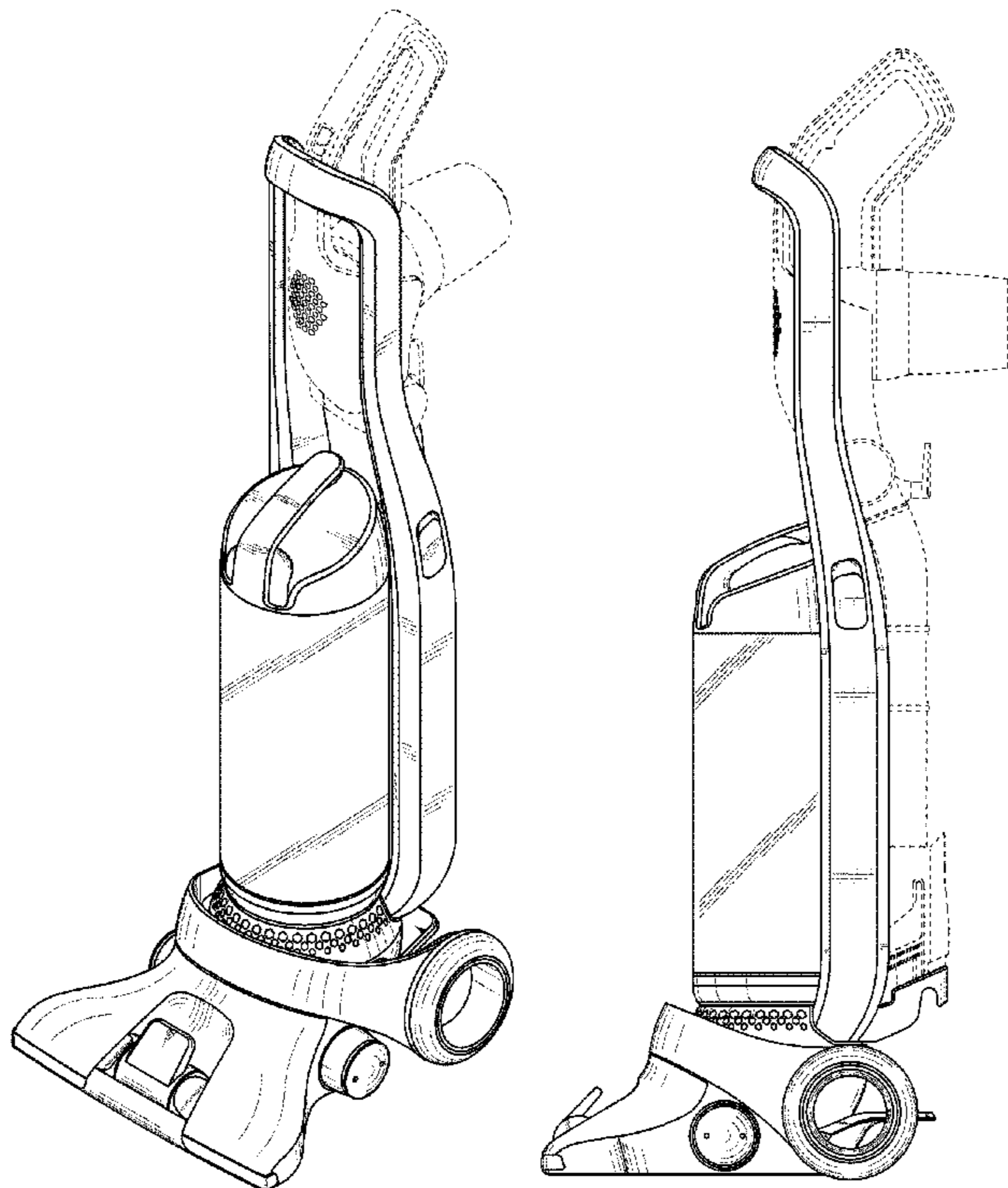


FIG. 1

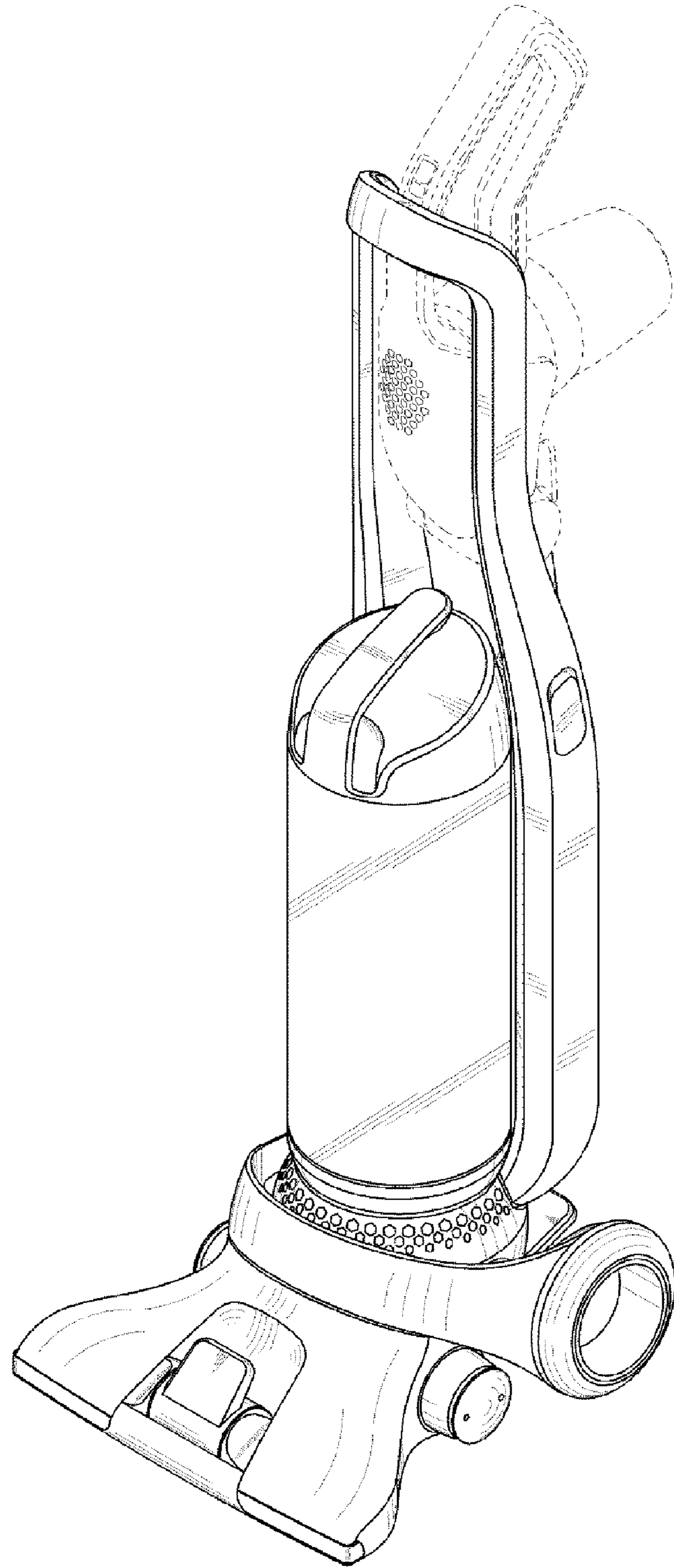


FIG.2

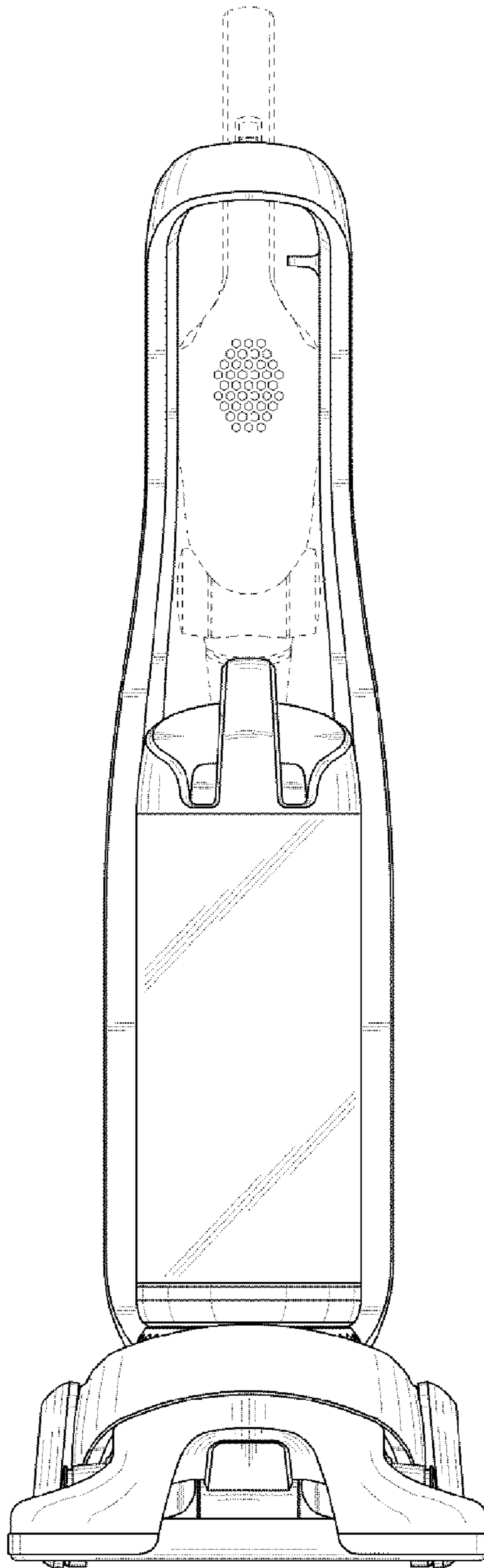


FIG.3

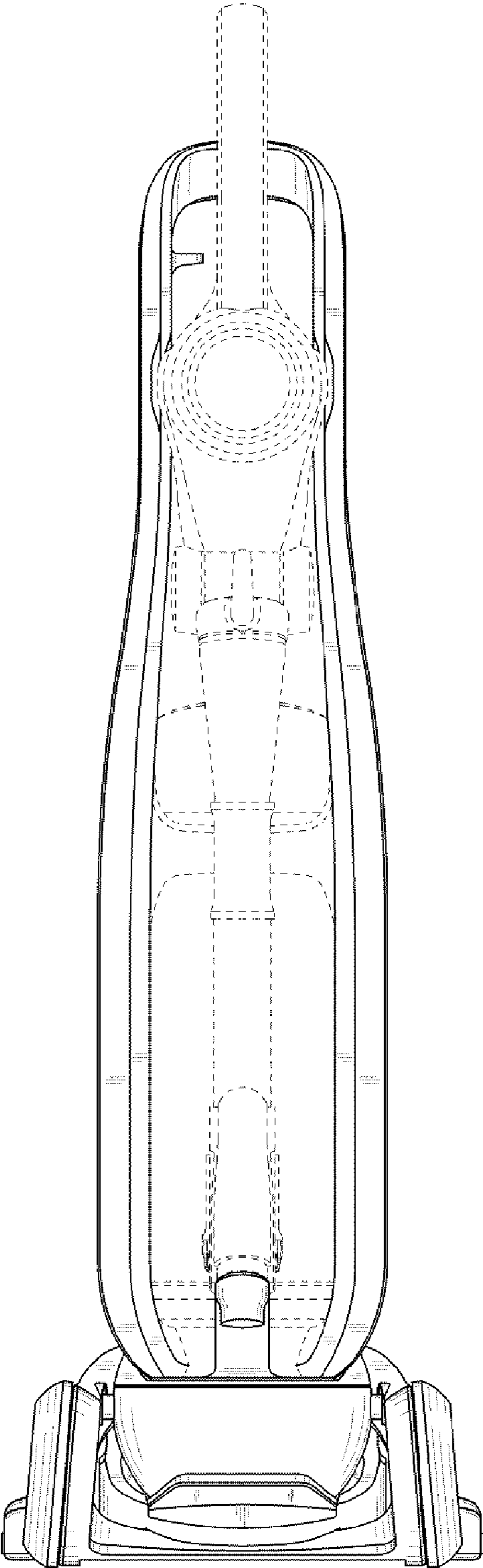


FIG.4

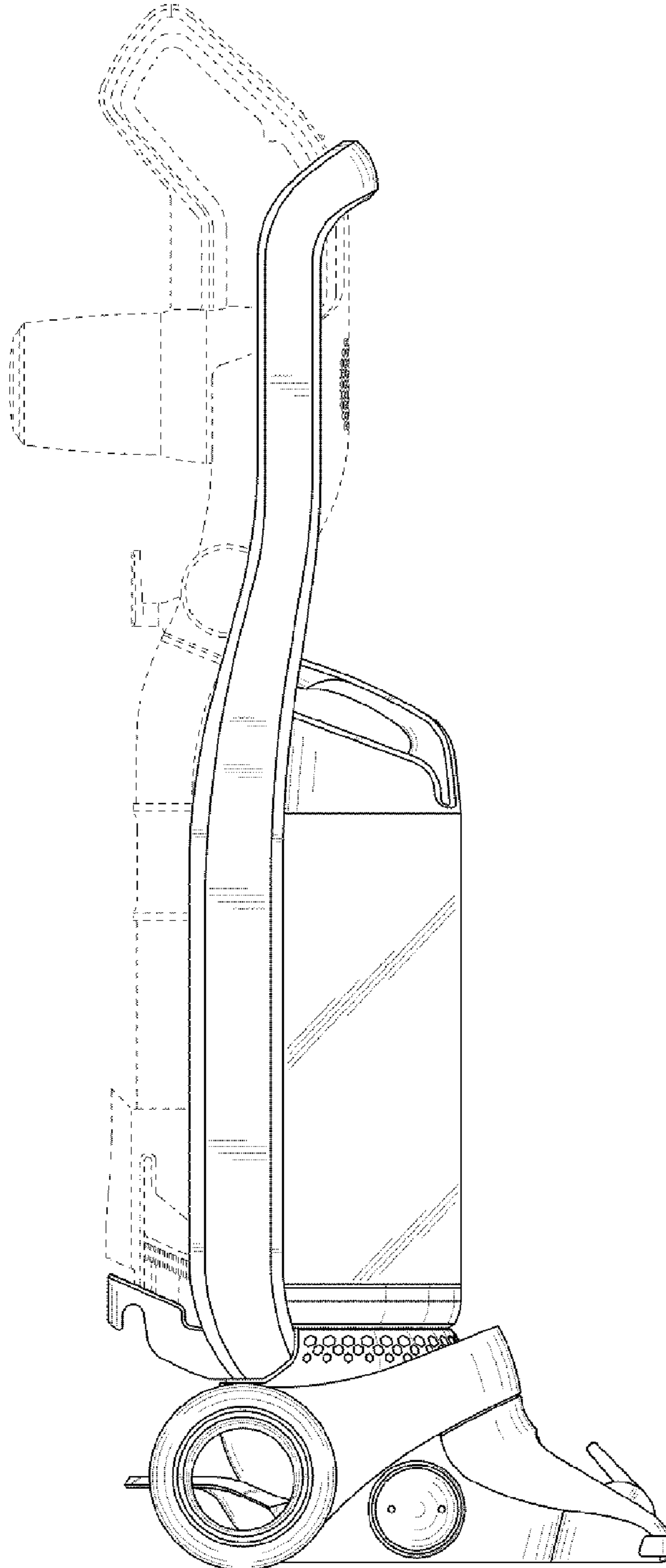


FIG.5

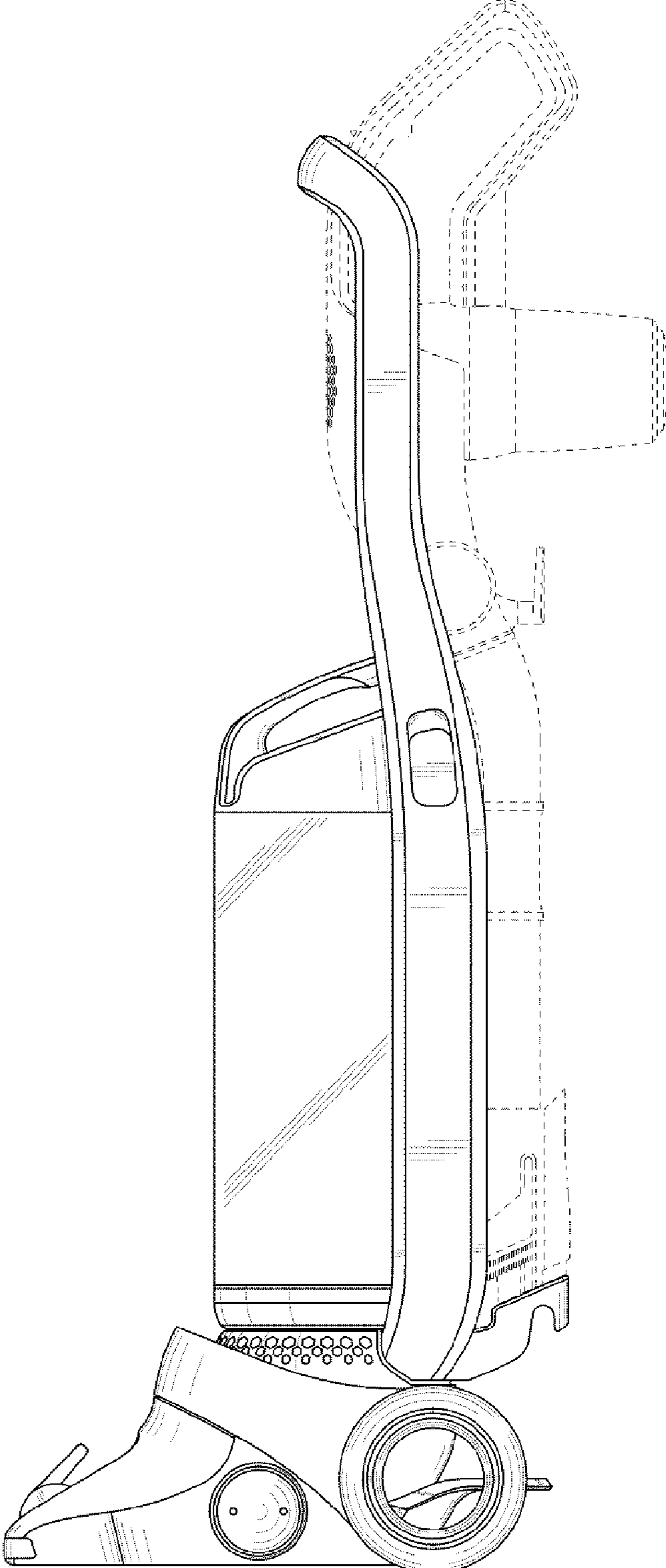


FIG.6

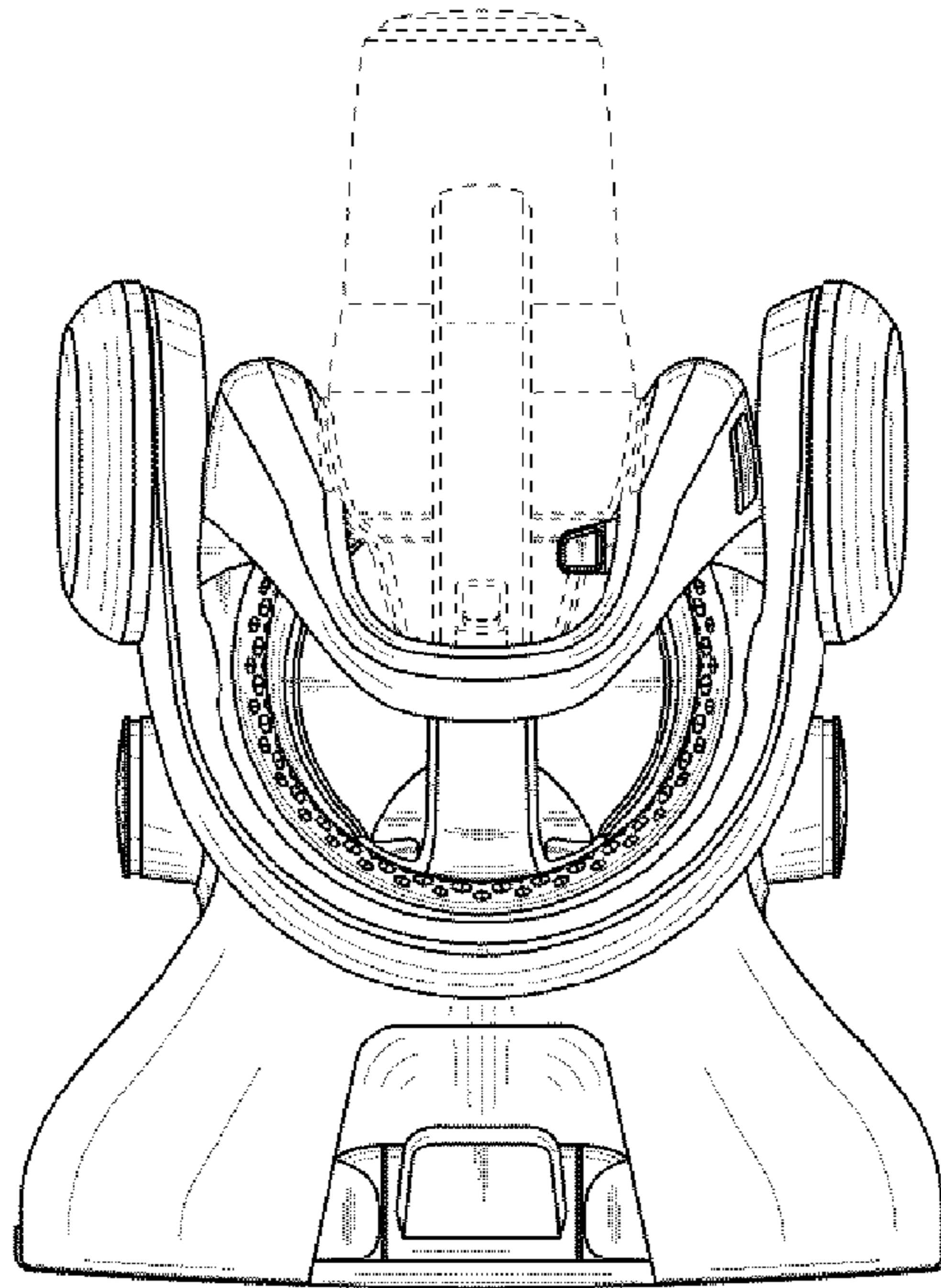


FIG.7

