



US00D729999S

(12) **United States Design Patent**
Aoi et al.

(10) **Patent No.:** **US D729,999 S**
(45) **Date of Patent:** **** May 19, 2015**

(54) **AXIAL BLOWER**

(71) Applicant: **HITACHI KOKI CO., LTD.**, Tokyo
(JP)

(72) Inventors: **Yoshiki Aoi**, Hitachinaka (JP); **Shinichi Kakefuda**, Hitachinaka (JP); **Hiroyuki Hasegawa**, Hitachinaka (JP); **Mizuho Nakamura**, Hitachinaka (JP)

(73) Assignee: **HITACHI KOKI CO., LTD.**, Tokyo
(JP)

(**) Term: **14 Years**

(21) Appl. No.: **29/445,171**

(22) Filed: **Feb. 8, 2013**

(30) **Foreign Application Priority Data**

Aug. 10, 2012 (JP) 2012-019418

(51) **LOC (10) Cl.** **15-05**

(52) **U.S. Cl.**
USPC **D32/15; D15/12**

(58) **Field of Classification Search**
USPC D15/11, 12, 5, 17; D32/1, 15-19, 21,
D32/25; D23/213, 383; 15/328, 329, 330,
15/344, 345, 404, 405, 414, 339, 415.1,
15/413, 326; 417/236, 423.1, 423.3
See application file for complete search history.

(56) **References Cited**

U.S. PATENT DOCUMENTS

D258,908 S * 4/1981 Satoh D23/383
D322,971 S * 1/1992 Tuggle et al. D15/13
D359,603 S * 6/1995 Rakocy et al. D32/15
D363,149 S * 10/1995 Franke et al. D32/15
D400,322 S * 10/1998 Webster et al. D32/15

D431,697 S * 10/2000 Hayakawa et al. D32/15
D461,604 S * 8/2002 Martin et al. D32/15
D469,931 S * 2/2003 Nawrozki et al. D32/15
D480,844 S * 10/2003 Noma et al. D32/15
D497,692 S * 10/2004 Nawrozki et al. D32/15
D498,885 S * 11/2004 Robson D32/15
D538,984 S * 3/2007 King D32/15
D556,395 S * 11/2007 Martin et al. D32/15
D558,939 S * 1/2008 Yuasa D32/15
D569,055 S * 5/2008 Bochmann et al. D32/15
D584,461 S * 1/2009 Sweeney D32/15
D591,916 S * 5/2009 Kosugi et al. D32/15
D594,961 S * 6/2009 Tinius D23/383
D605,819 S * 12/2009 Tinius D32/15
D615,716 S * 5/2010 Tinius D32/15
D637,774 S * 5/2011 Li et al. D32/15
D638,035 S * 5/2011 Kosugi et al. D15/5
D656,370 S * 3/2012 Tinius D8/8
D668,822 S * 10/2012 Tinius D32/15

* cited by examiner

Primary Examiner — Mark Goodwin

(74) *Attorney, Agent, or Firm* — Sughrue Mion, PLLC

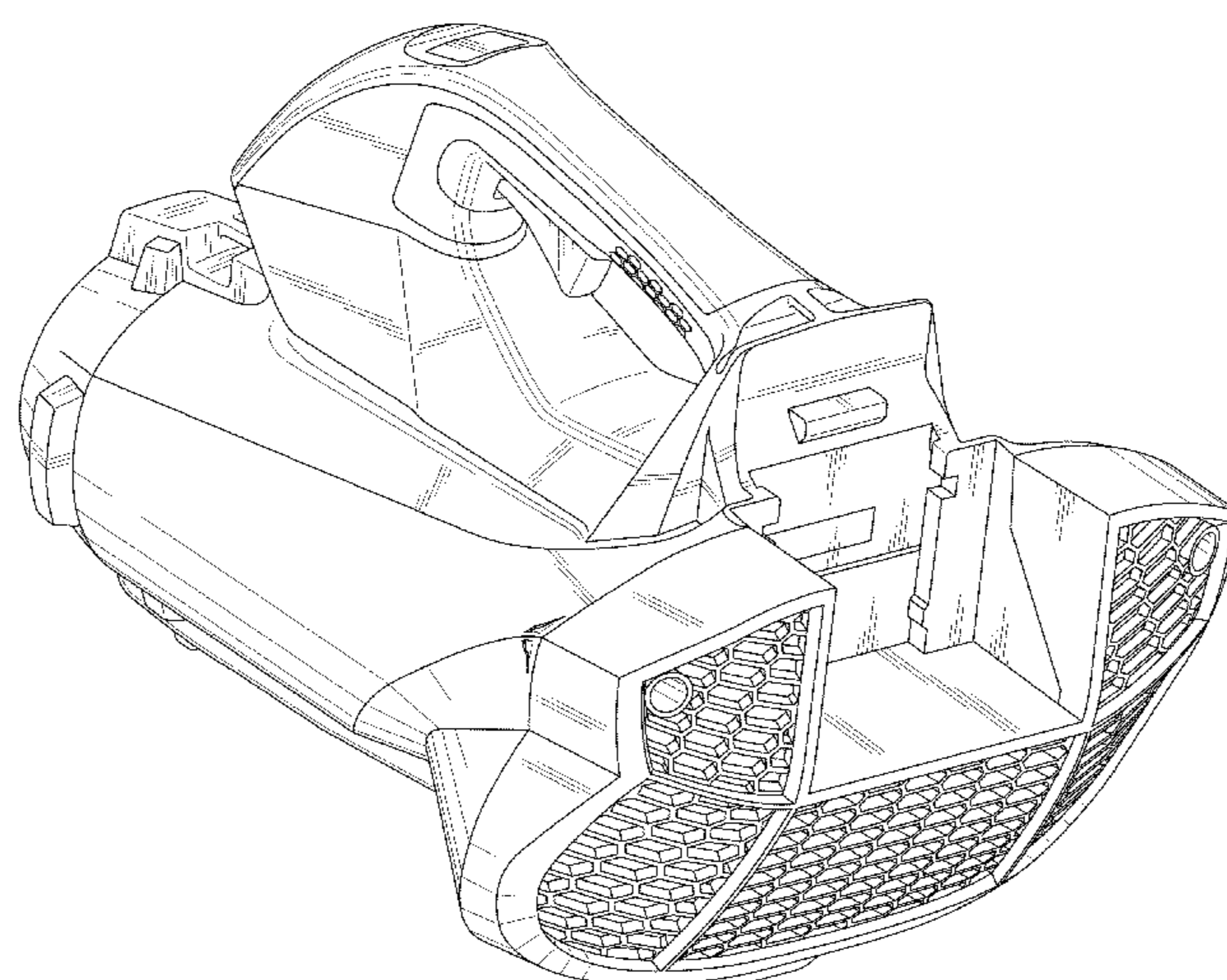
(57) **CLAIM**

The ornamental design for axial blower, as shown and described.

DESCRIPTION

FIG. 1 is a front perspective view of the axial blower showing our new design;
FIG. 2 is a front view thereof;
FIG. 3 is a rear view thereof;
FIG. 4 is a left side view thereof;
FIG. 5 is a right side view thereof;
FIG. 6 is a top plan view thereof;
FIG. 7 is a bottom view thereof; and,
FIG. 8 is a reference perspective view thereof.
The broken lines represent the portions of the design that form no part of the claim.

1 Claim, 8 Drawing Sheets



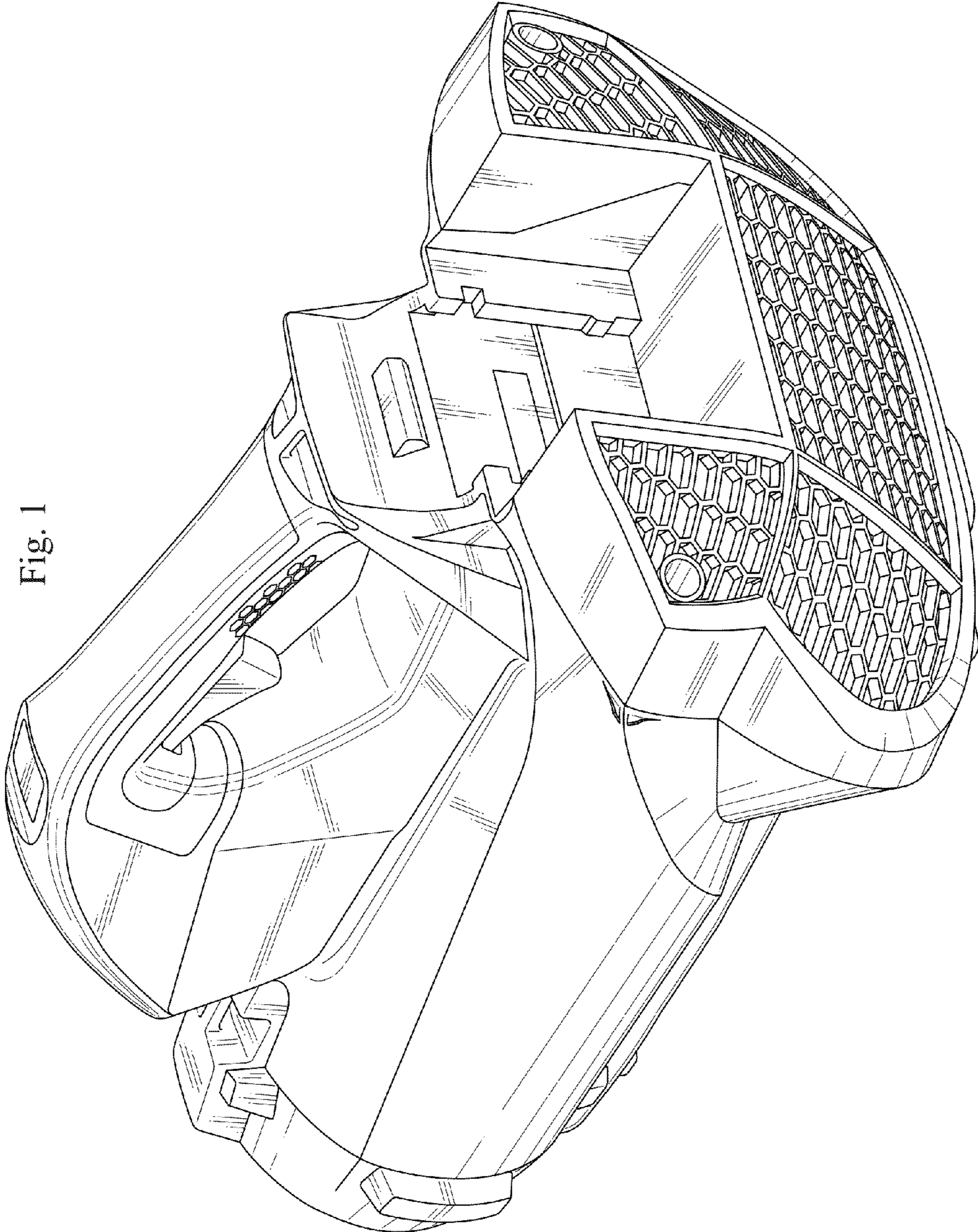


Fig. 1

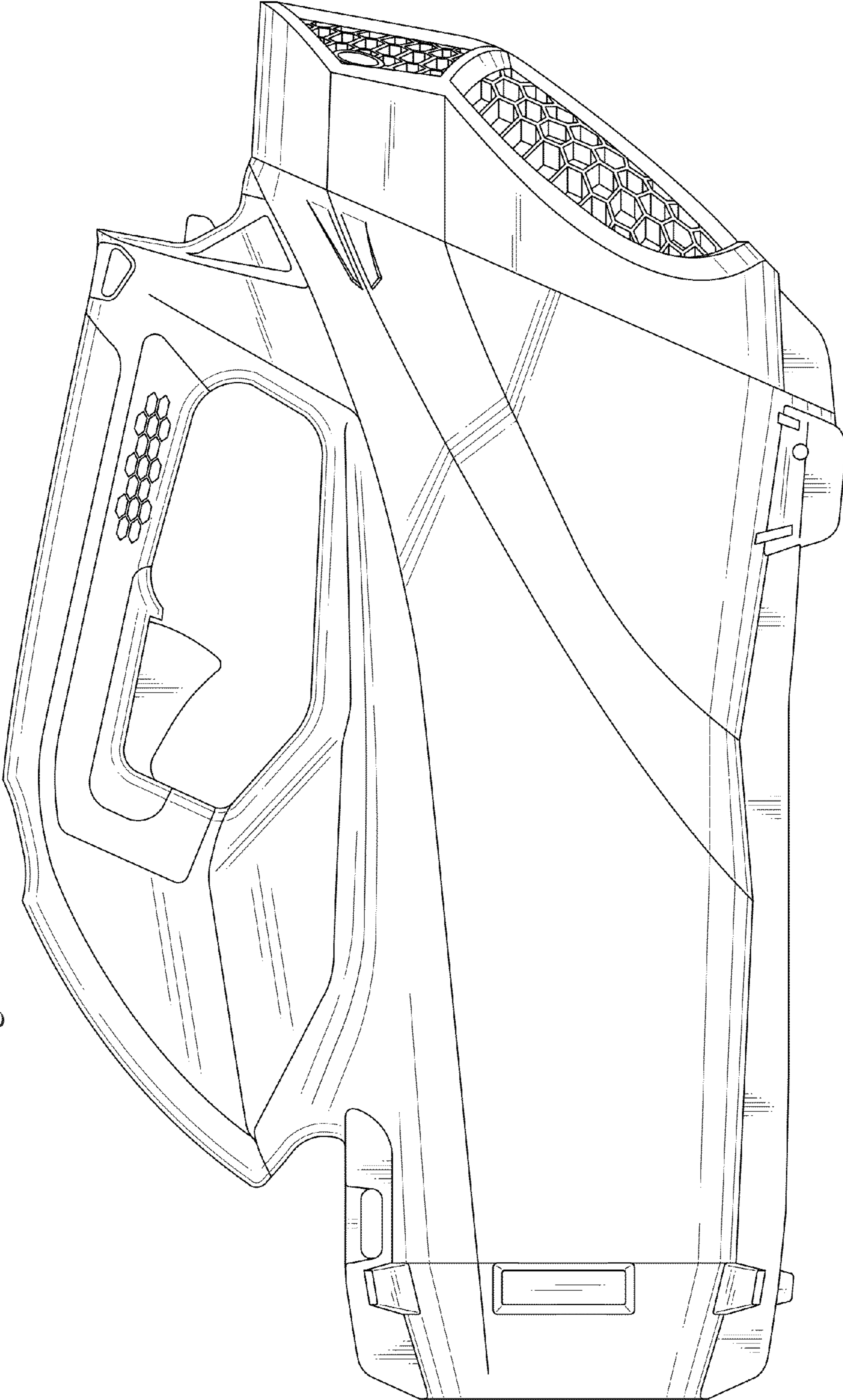
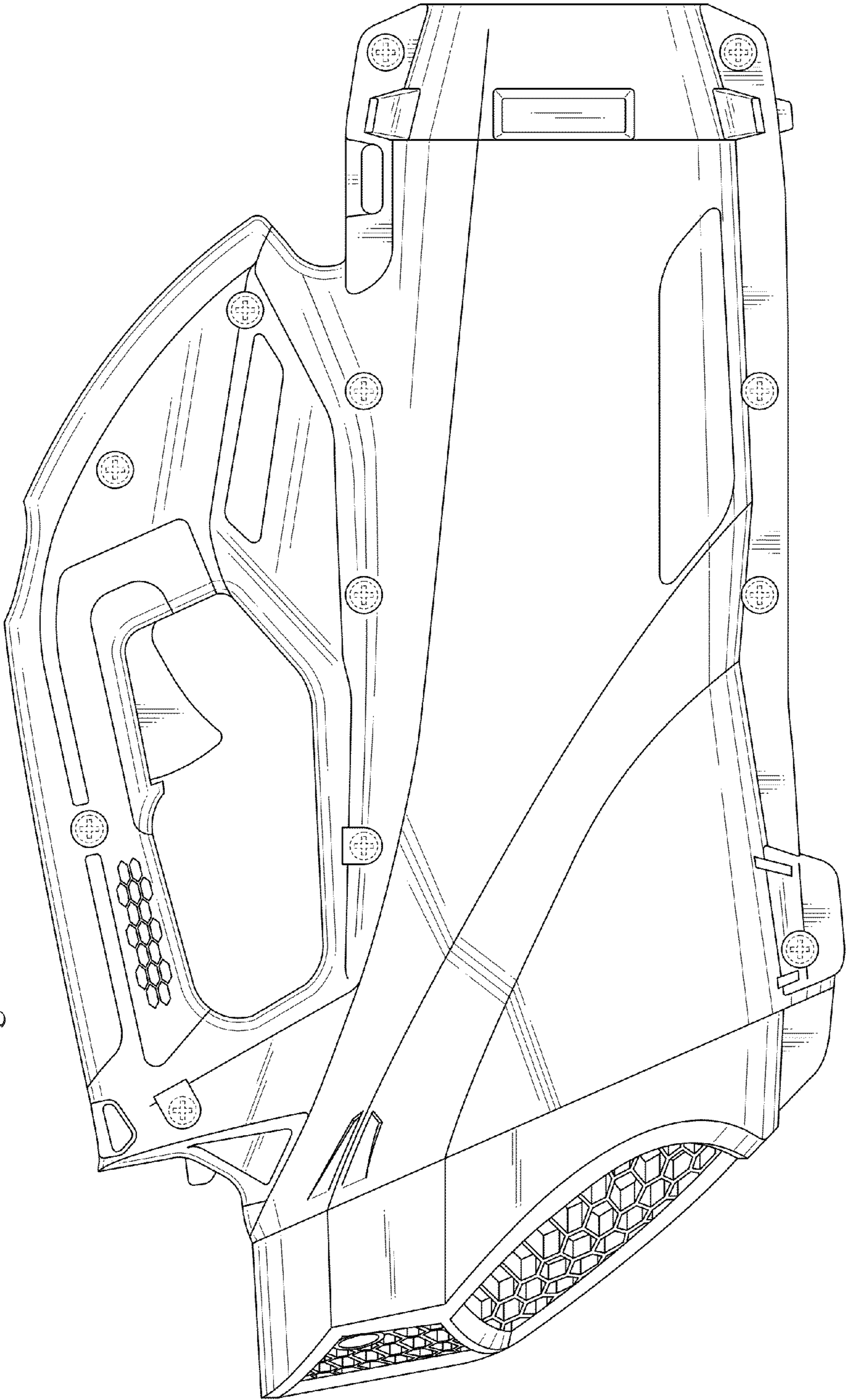


Fig. 2

Fig. 3



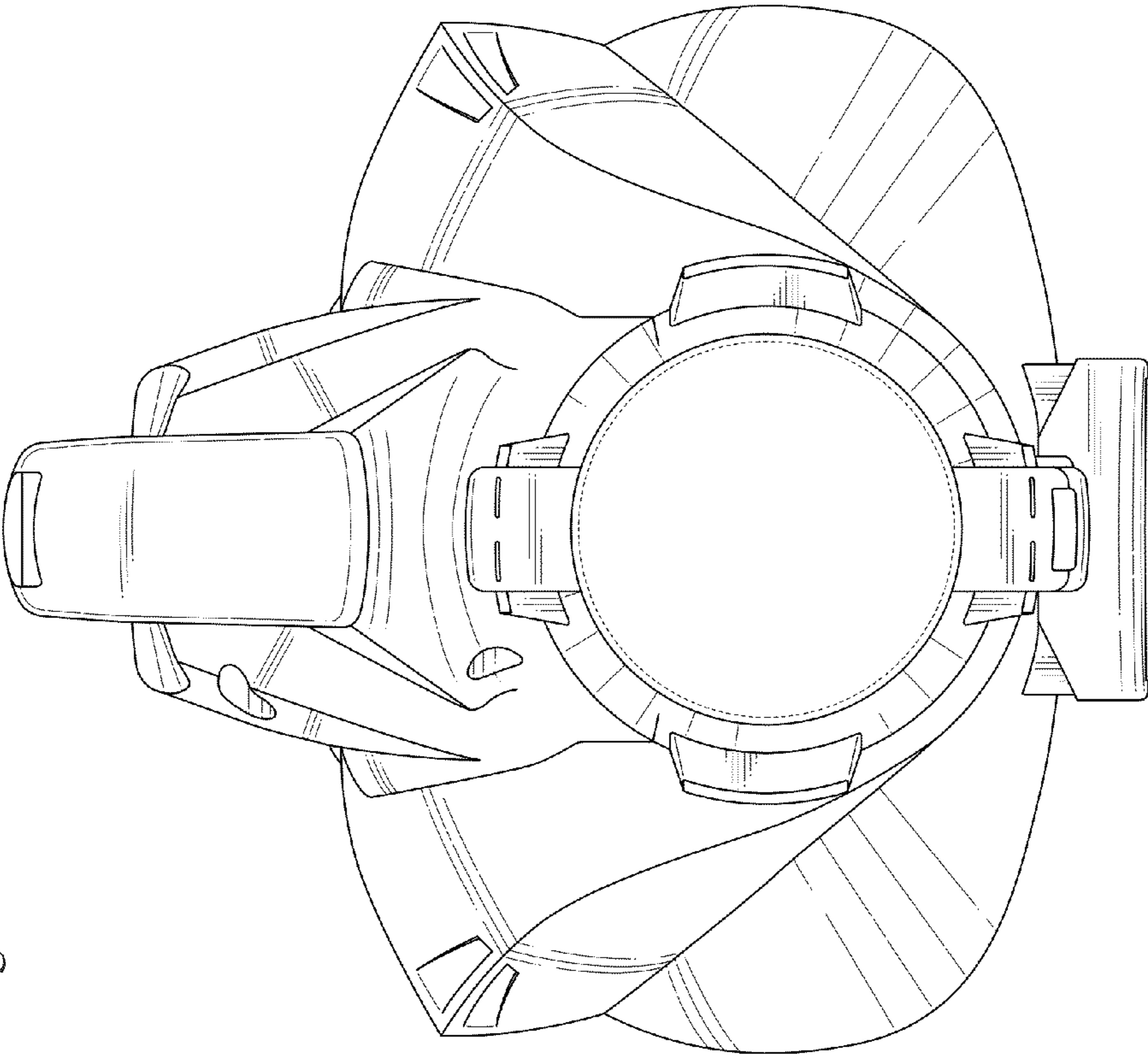


Fig. 4

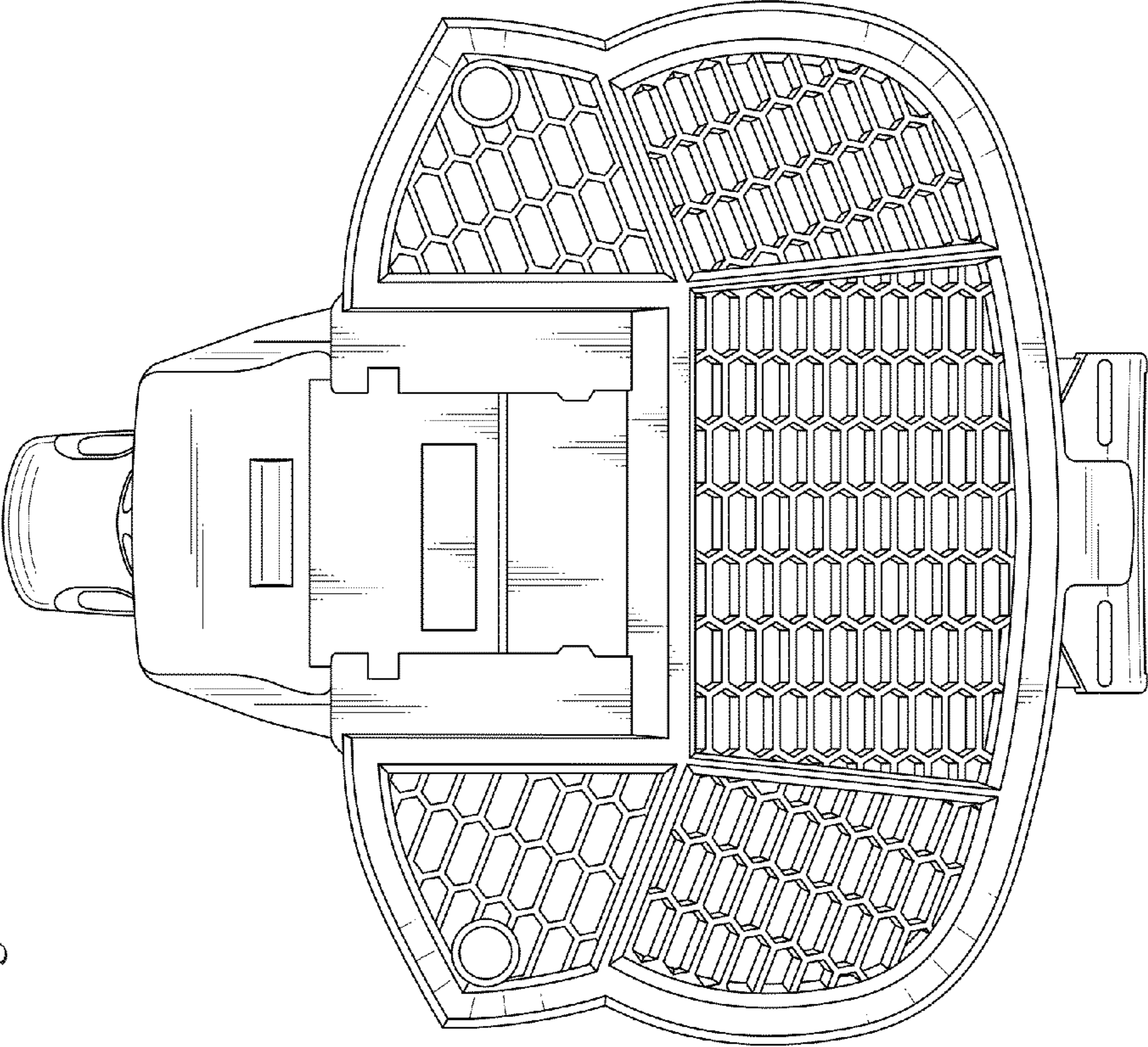


Fig. 5

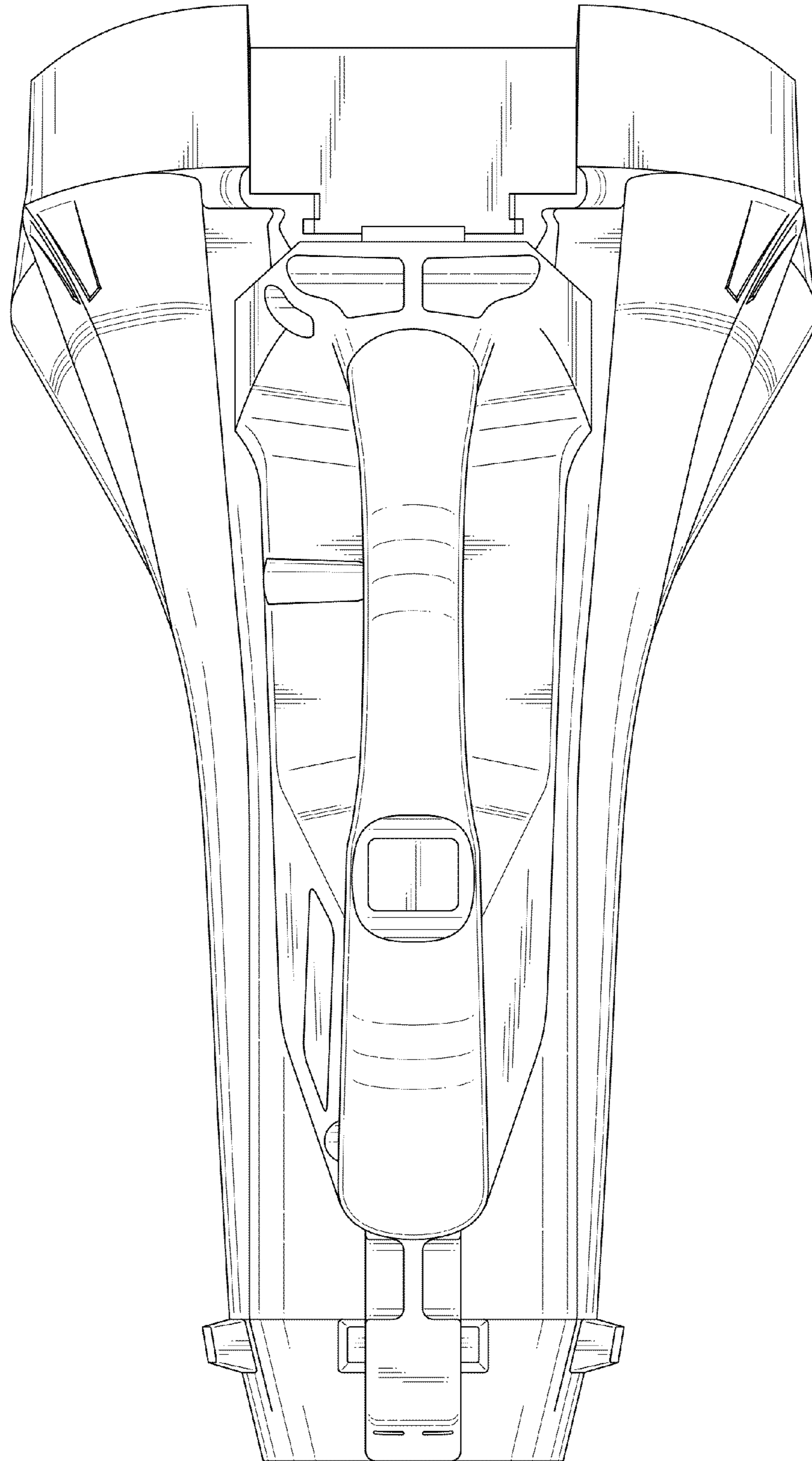
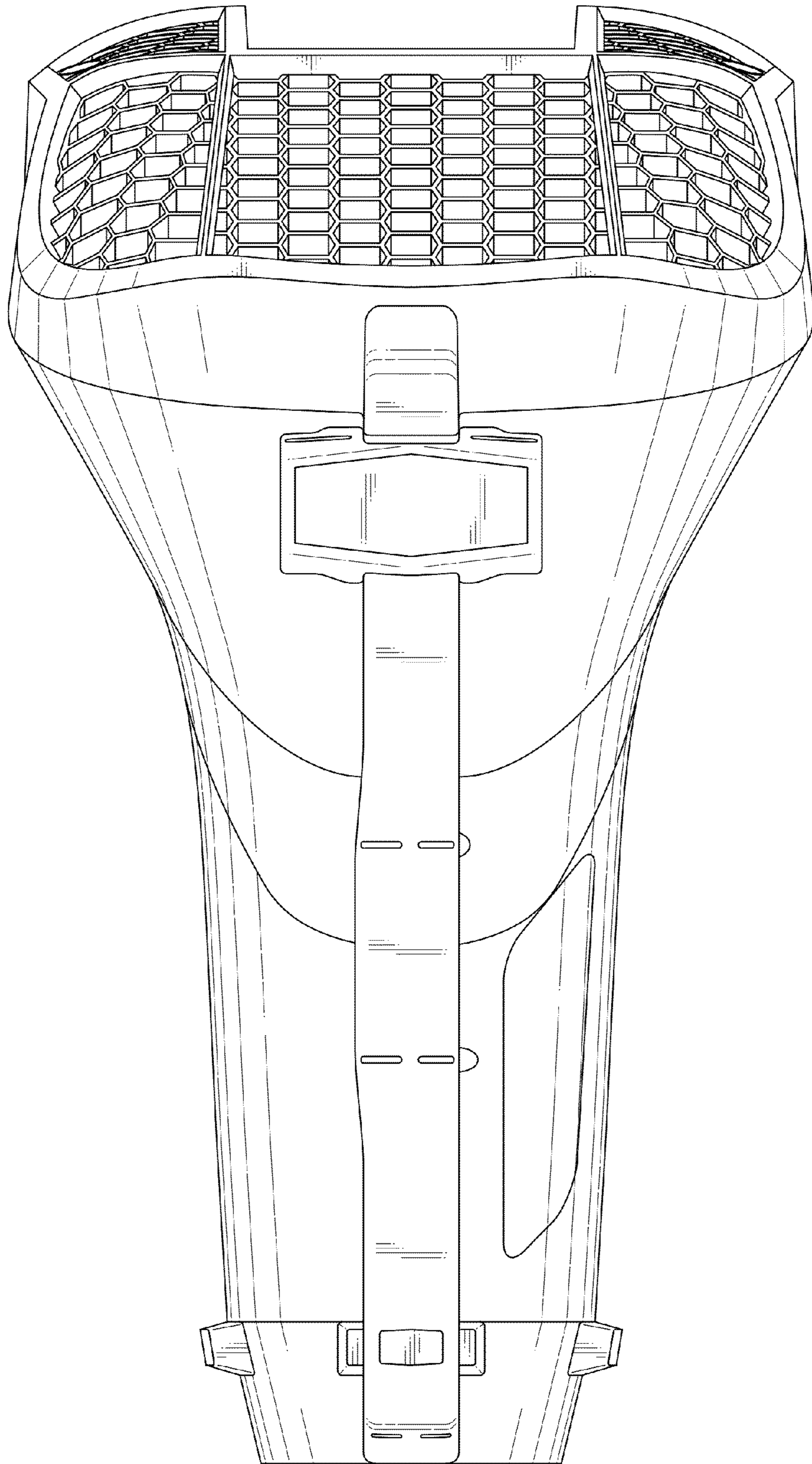


Fig. 6

Fig. 7



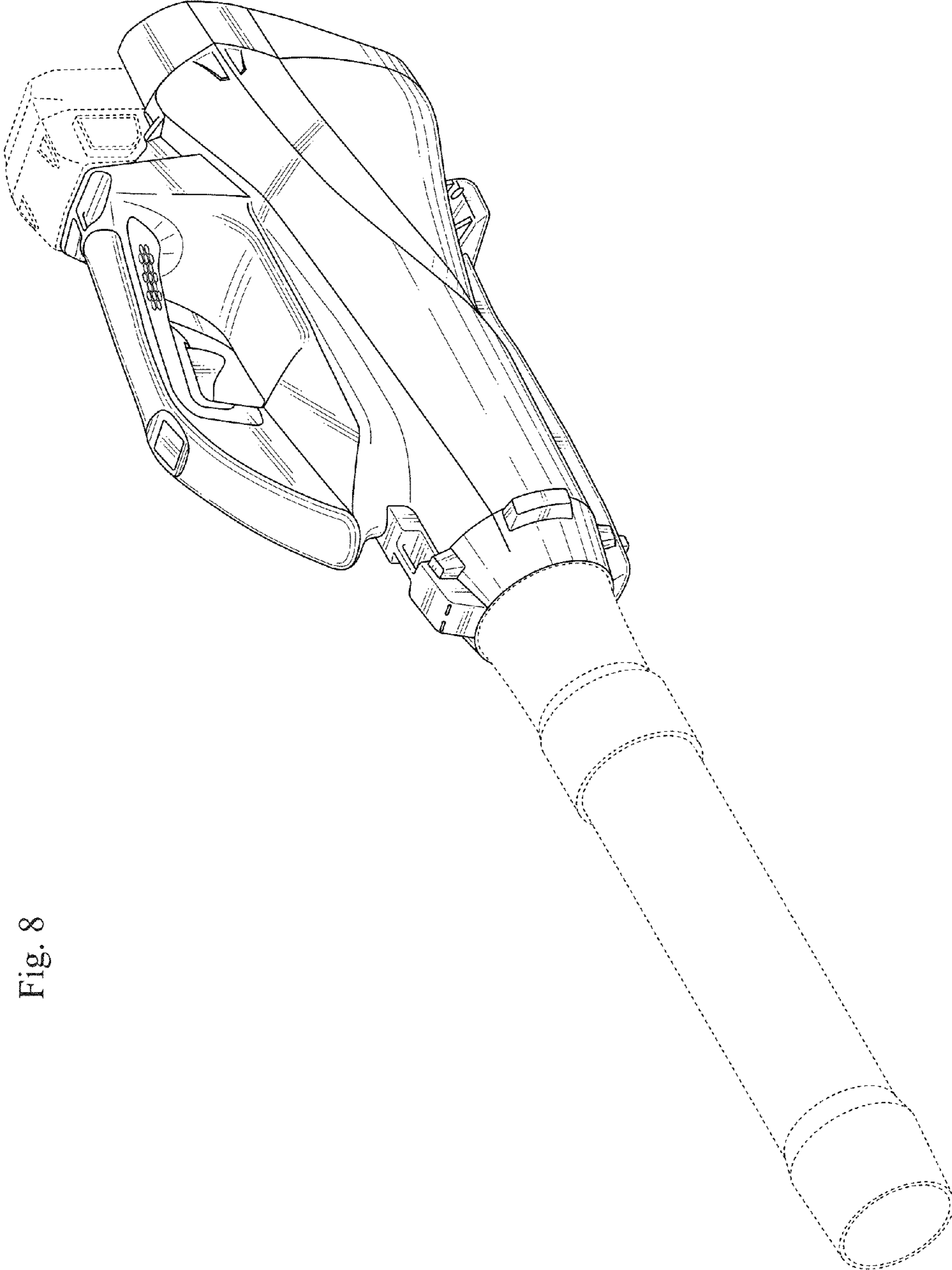


Fig. 8