



US00D729998S

(12) **United States Design Patent**
Jeon et al.

(10) **Patent No.:** **US D729,998 S**

(45) **Date of Patent:** **** May 19, 2015**

(54) **WASHING MACHINE**

(71) Applicant: **Samsung Electronics Co., Ltd.**,
Suwon-si (KR)

(72) Inventors: **Jong Su Jeon**, Seongnam-si (KR); **Ha Young Jang**, Seoul (KR); **Jaewon Choi**, Seoul (KR)

(73) Assignee: **Samsung Electronics Co., Ltd.**,
Suwon-si (KR)

(**) Term: **14 Years**

(21) Appl. No.: **29/495,103**

(22) Filed: **Jun. 27, 2014**

(30) **Foreign Application Priority Data**

Jan. 3, 2014 (KR) 30-2014-0000534

(51) **LOC (10) Cl.** **15-05**

(52) **U.S. Cl.**
USPC **D32/6**

(58) **Field of Classification Search**
USPC D32/1, 5-6, 8; 68/3 R, 5 R, 12.01, 12.08;
34/87-88, 524, 534; 312/31
See application file for complete search history.

(56) **References Cited**

U.S. PATENT DOCUMENTS

D153,515 S *	4/1949	Geldhof	D32/6
D359,602 S *	6/1995	Swartz et al.	D32/6
D360,500 S *	7/1995	Millet et al.	D32/6
D374,954 S *	10/1996	Katz et al.	D32/6
D465,308 S *	11/2002	Resuello et al.	D32/6
D470,632 S *	2/2003	Oda	D32/6
D489,496 S *	5/2004	Sneddon	D32/6
D516,258 S *	2/2006	Matsusaki et al.	D32/6
D519,692 S *	4/2006	Jun	D32/6
D524,000 S *	6/2006	Kim et al.	D32/6
D526,453 S *	8/2006	Jun	D32/6
D527,150 S *	8/2006	Jun	D32/6
D528,712 S *	9/2006	Ha et al.	D32/6

D528,713 S *	9/2006	Ha et al.	D32/6
D538,488 S *	3/2007	Carey et al.	D32/6
D554,307 S *	10/2007	Kim	D32/6
D556,394 S *	11/2007	Kim	D32/6
D571,964 S *	6/2008	Kim	D32/6
D575,012 S *	8/2008	Rossetto et al.	D32/6
D575,464 S *	8/2008	Rossetto et al.	D32/8
D597,712 S *	8/2009	Jeon et al.	D32/6
D631,215 S *	1/2011	Song et al.	D32/6
D632,033 S *	2/2011	Song et al.	D32/6
D633,261 S *	2/2011	Song et al.	D32/6
D648,084 S *	11/2011	Browne et al.	D32/28
D648,085 S *	11/2011	Miller et al.	D32/28
D648,497 S *	11/2011	Bhattacharya	D32/28
D654,640 S *	2/2012	Song et al.	D32/6
D661,852 S *	6/2012	Song et al.	D32/8
D679,462 S *	4/2013	Zhang et al.	D32/6
D694,965 S *	12/2013	Lee et al.	D32/6
D695,474 S *	12/2013	Calmeise	D32/28
D697,680 S *	1/2014	Hwang et al.	D32/25
D699,907 S *	2/2014	Choi et al.	D32/28
D701,656 S *	3/2014	Choi et al.	D32/6
D705,508 S *	5/2014	Calmeise	D32/28

* cited by examiner

Primary Examiner — T. Chase Nelson

Assistant Examiner — Michelle E Wilson

(74) *Attorney, Agent, or Firm* — NSIP Law

(57) **CLAIM**

We claim the ornamental design for a washing machine, as shown and described.

DESCRIPTION

FIG. 1 is a front perspective view of a washing machine showing our new design;

FIG. 2 is a front view thereof;

FIG. 3 is a rear view thereof;

FIG. 4 is a left-side view thereof;

FIG. 5 is a right-side view thereof;

FIG. 6 is a top view thereof; and,

FIG. 7 is a bottom view thereof.

The broken lines in the figures show portions of the washing machine which form no part of the claimed design.

1 Claim, 7 Drawing Sheets

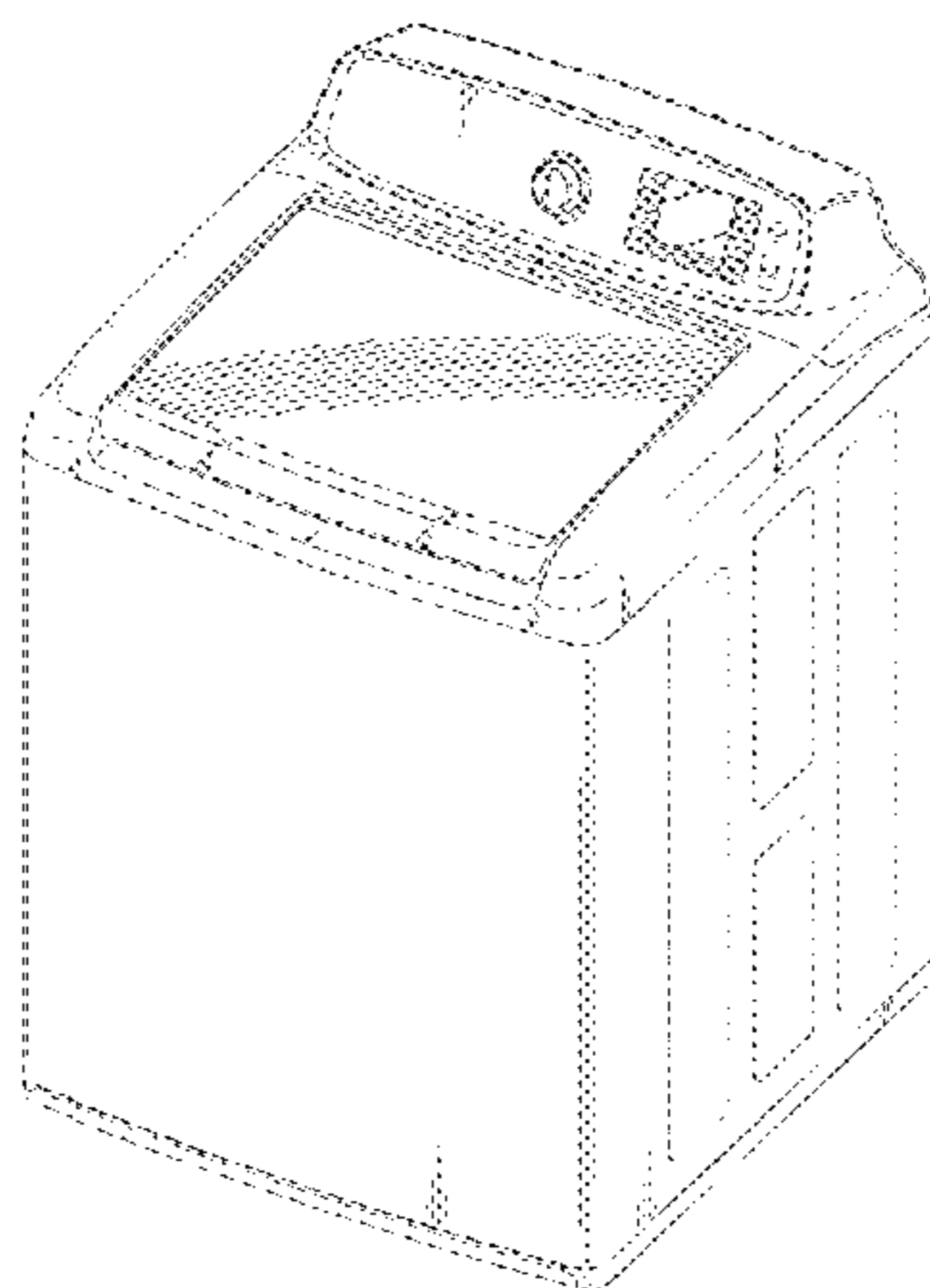


Fig. 1

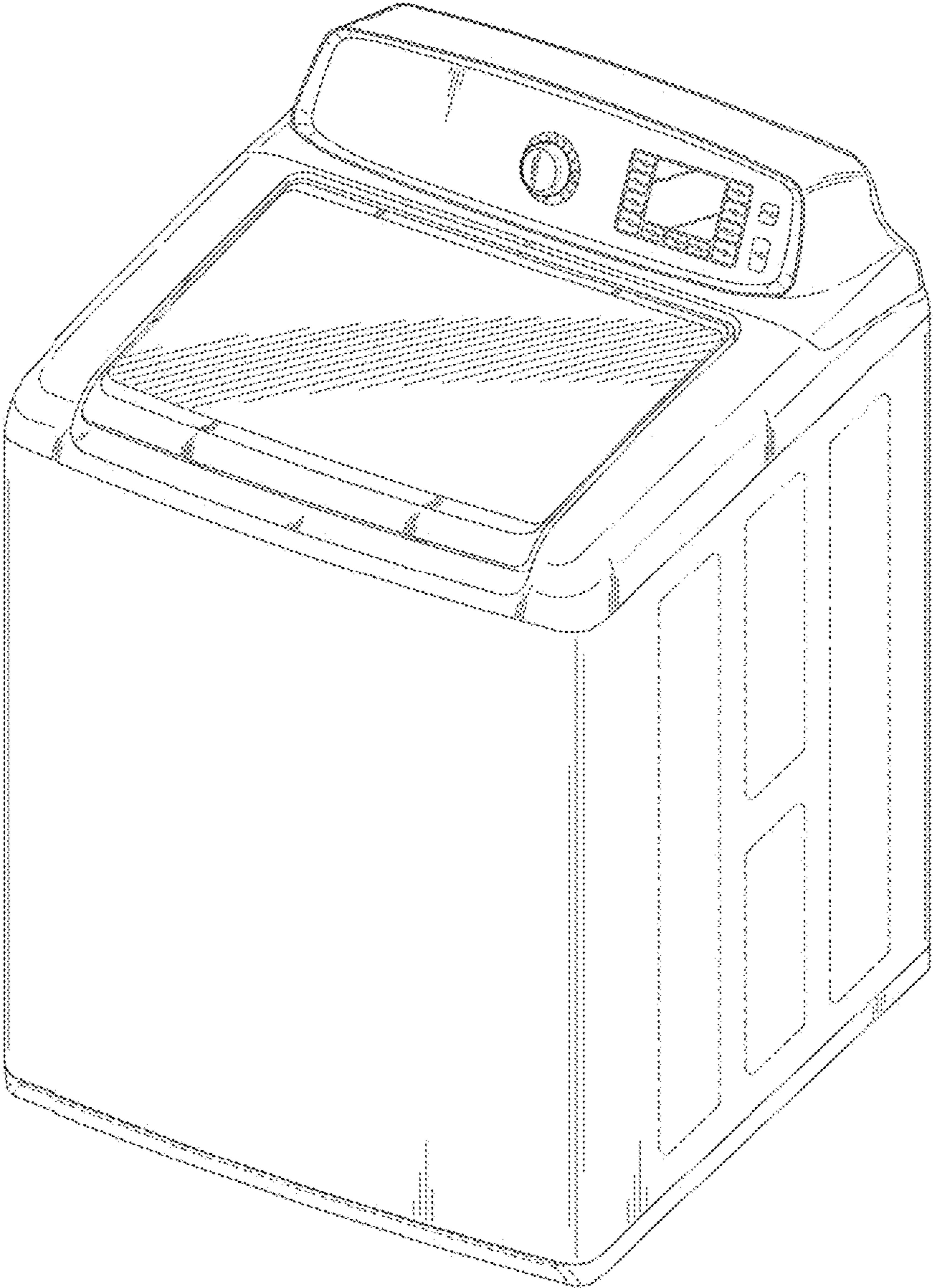


Fig. 2

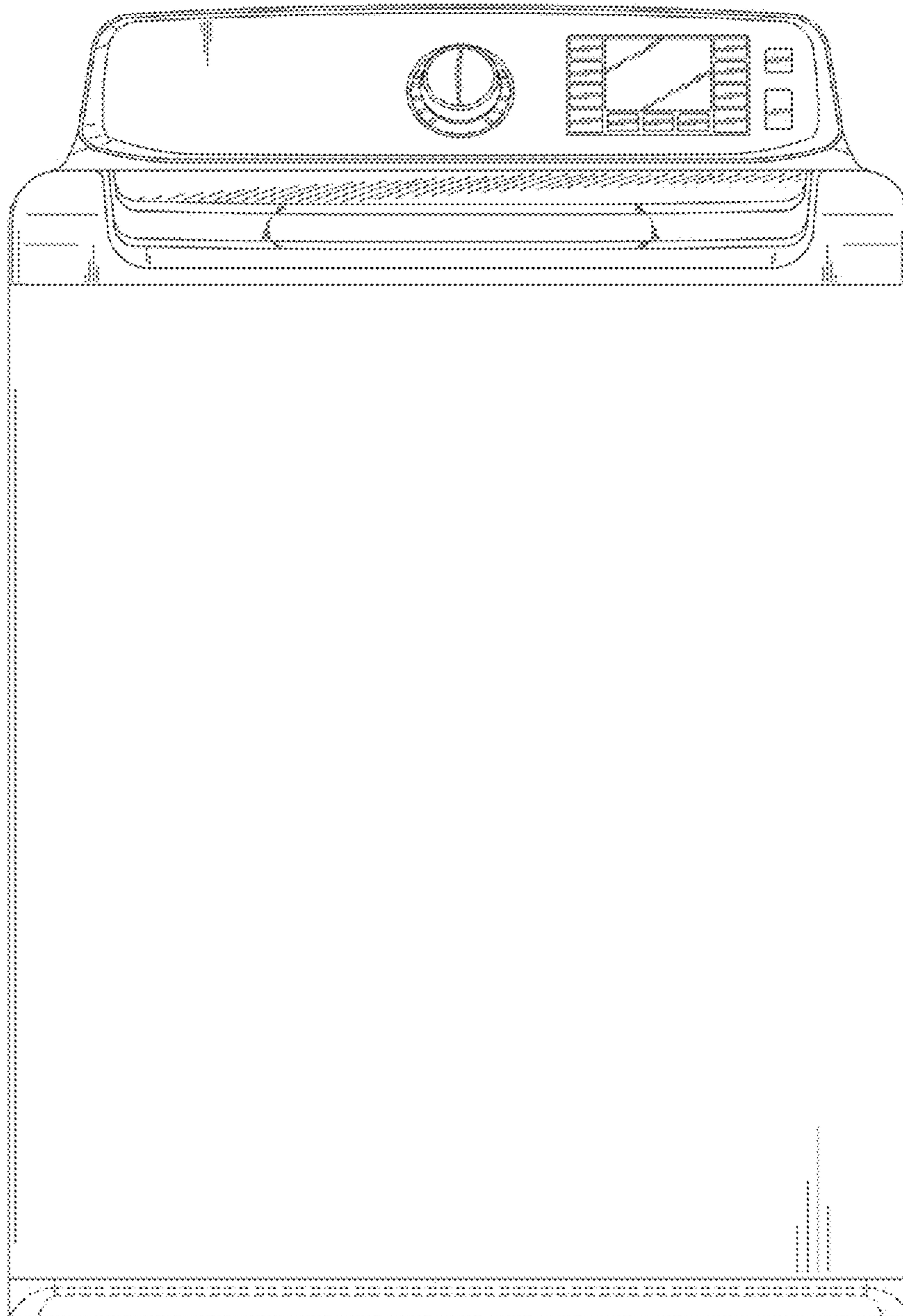


Fig. 3

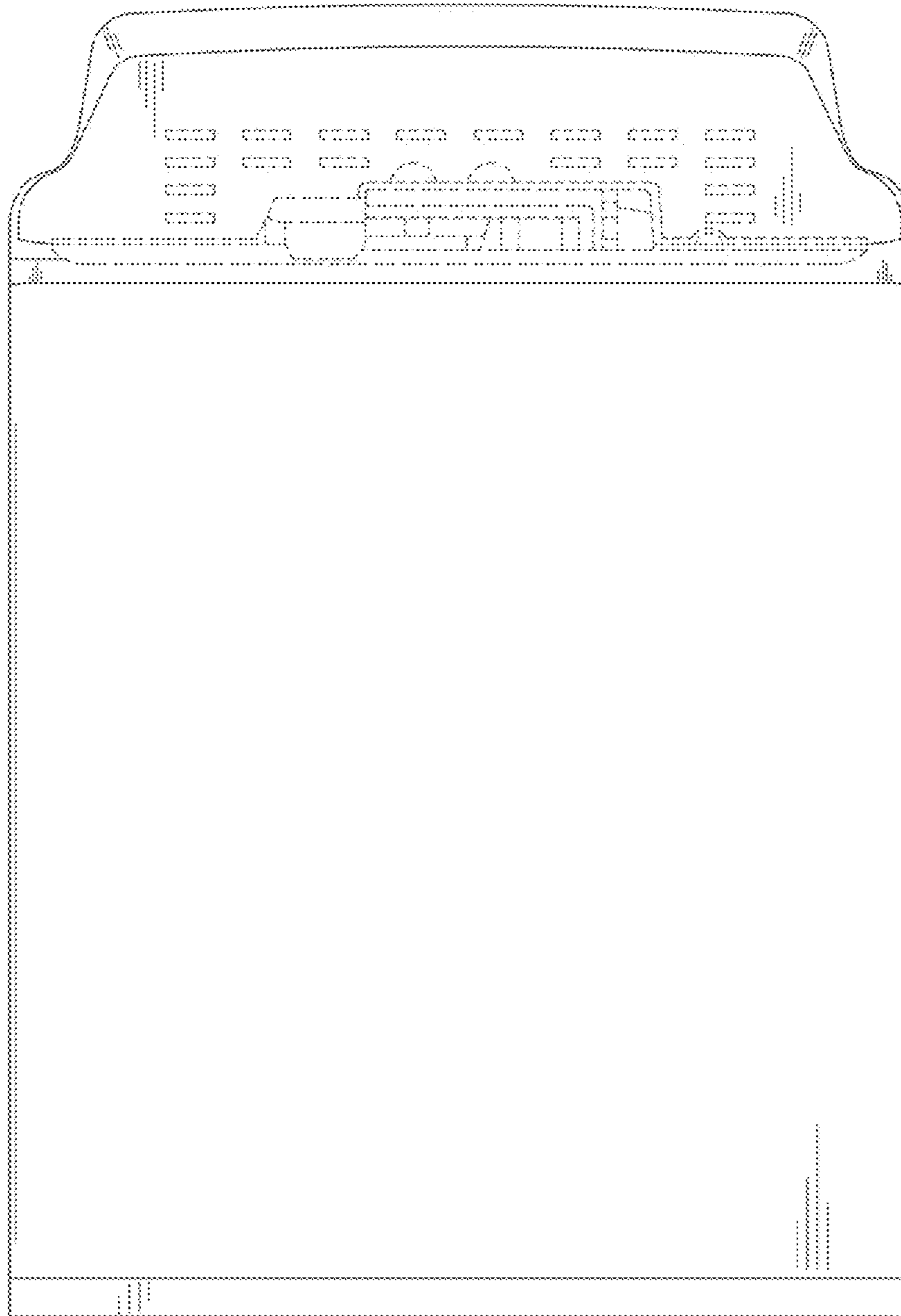


Fig. 4

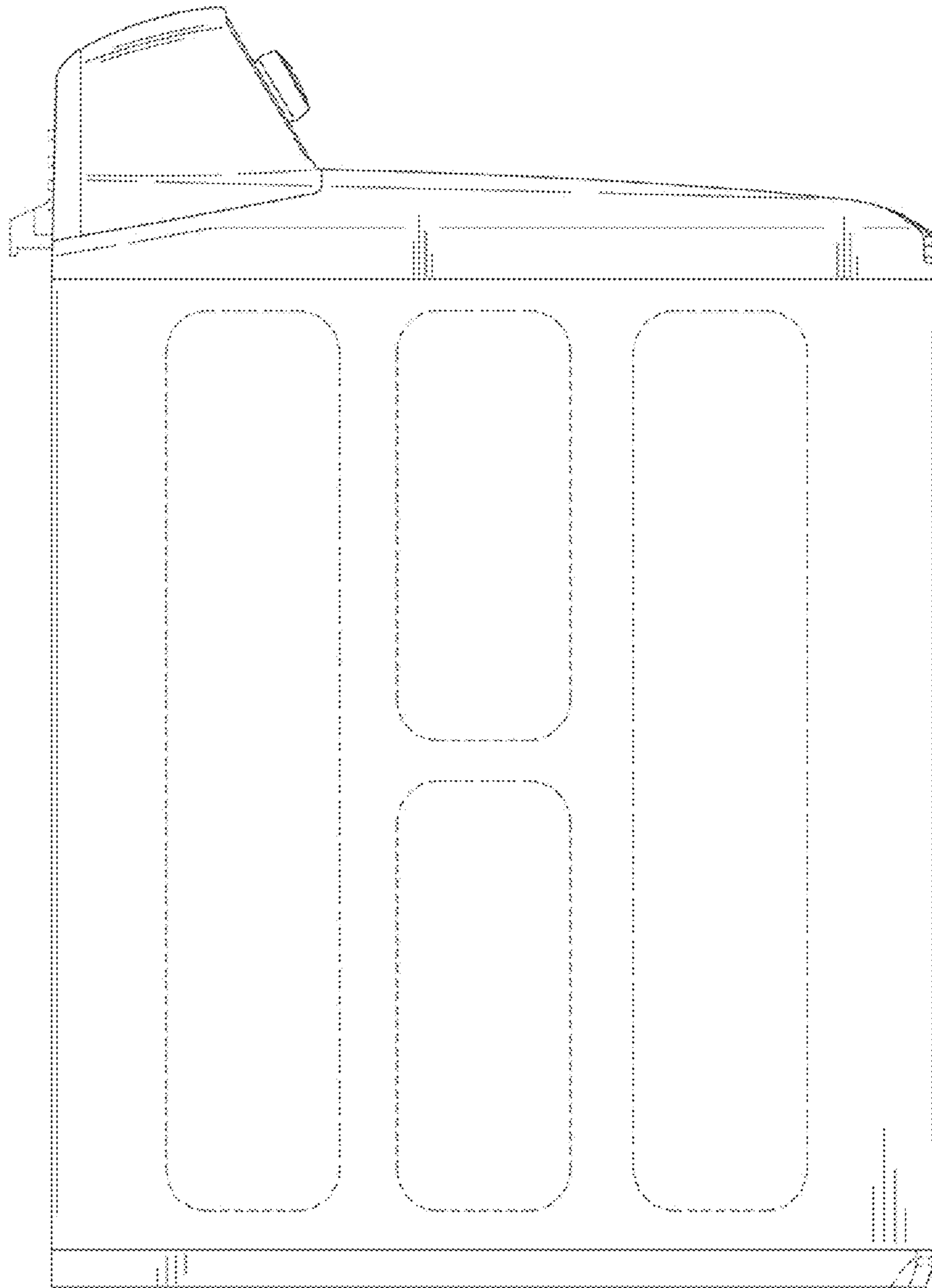


Fig. 5

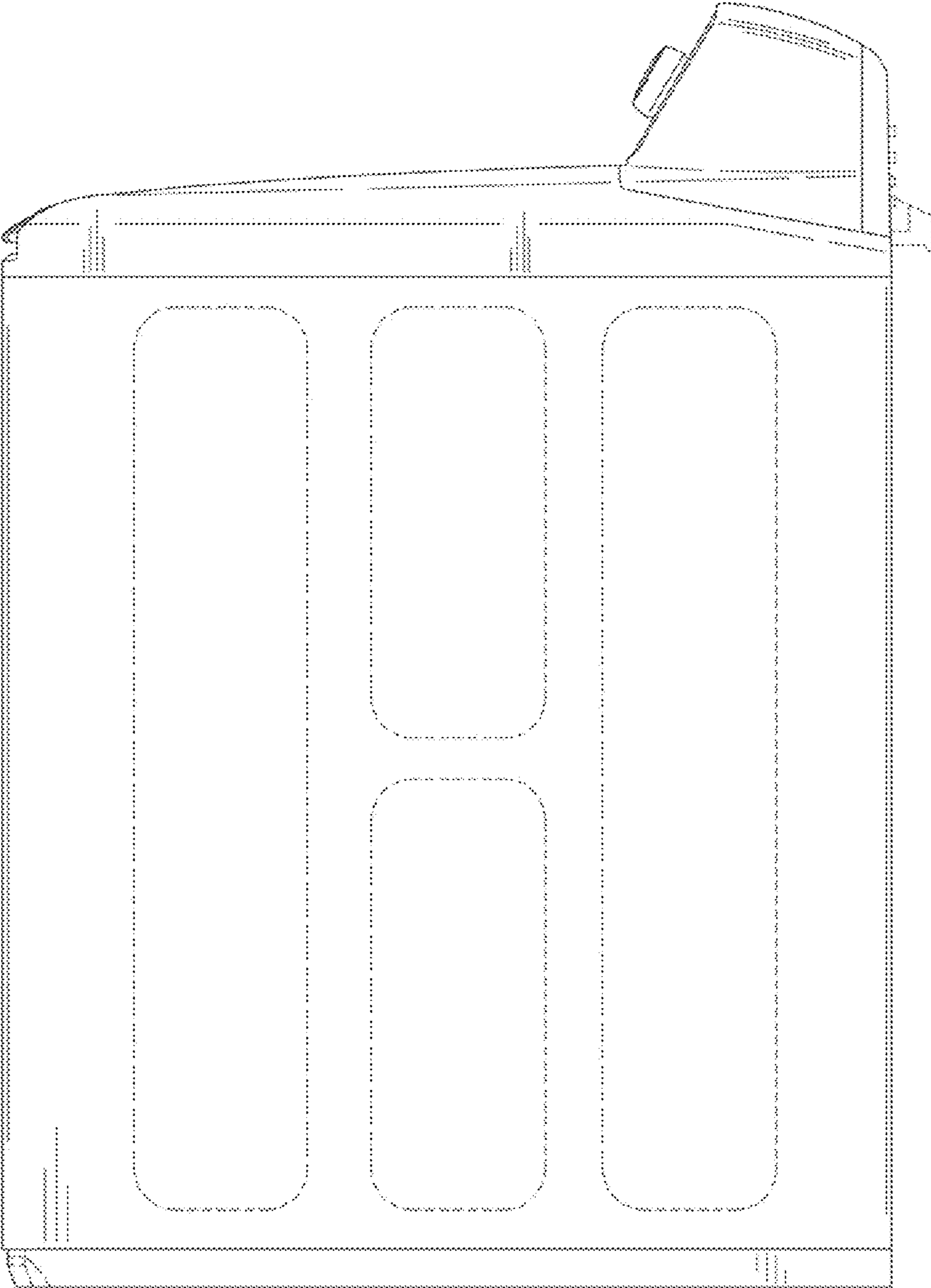


Fig. 6

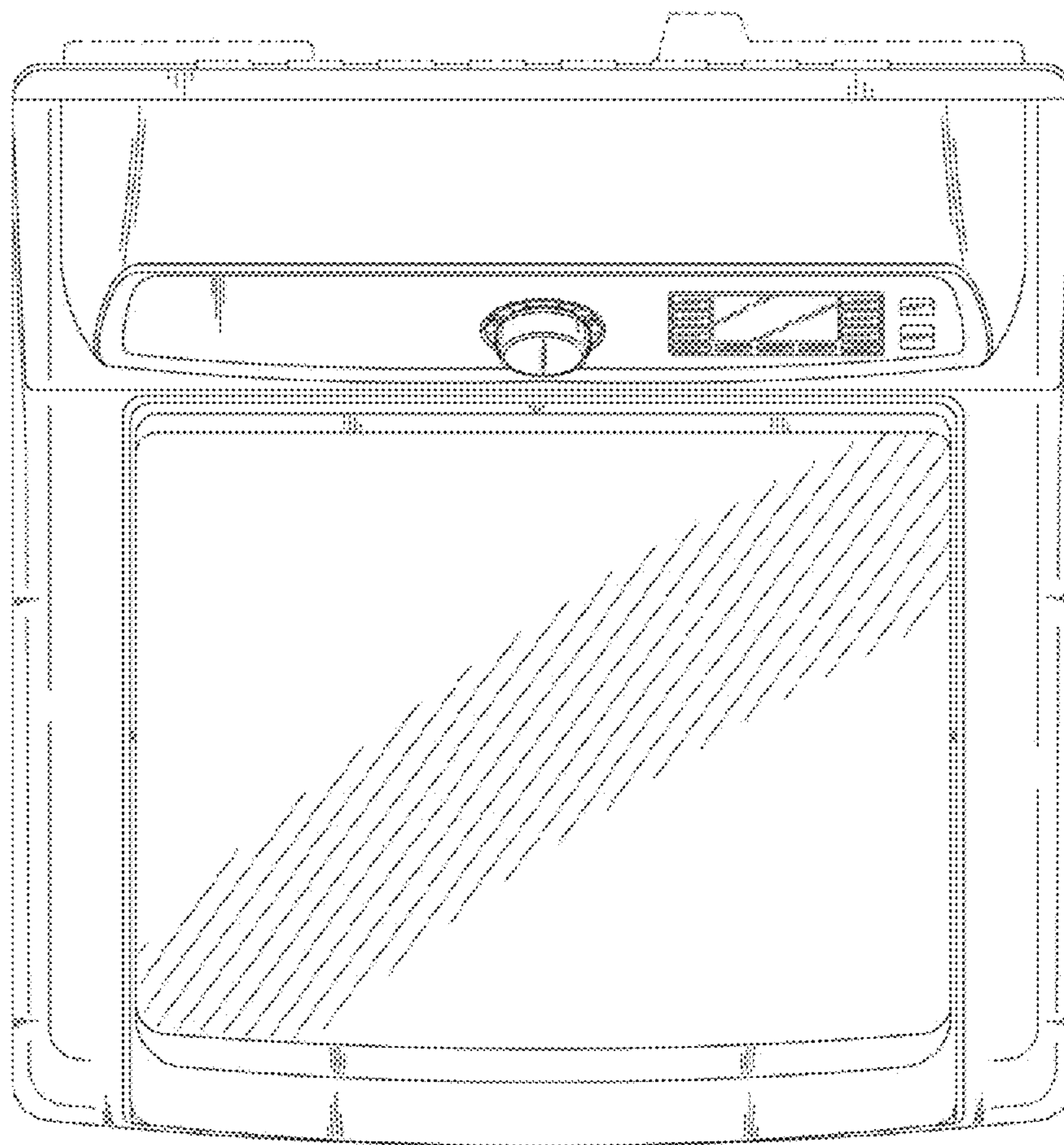


Fig. 7

