



US00D729997S

(12) **United States Design Patent**
Hwang et al.

(10) **Patent No.:** **US D729,997 S**
(45) **Date of Patent:** **** May 19, 2015**

(54) **WASHING MACHINE**
(71) Applicant: **Samsung Electronics Co., Ltd.**,
Suwon-si (KR)
(72) Inventors: **Jung-Hoon Hwang**, Yongin-si (KR);
Ki-Sang Yoon, Daejeon (KR)
(73) Assignee: **SAMSUNG ELECTRONICS CO.,**
LTD. (KR)

D459,844 S *	7/2002	Baldwin et al.	D32/6
D477,898 S *	7/2003	Geyer	D32/6
D517,257 S *	3/2006	Kim et al.	D32/6
D517,258 S *	3/2006	Ha et al.	D32/6
D517,259 S *	3/2006	Ha et al.	D32/6
D518,251 S *	3/2006	Kwon et al.	D32/6
D529,242 S *	9/2006	Ha et al.	D32/6
D549,898 S *	8/2007	Suh	D32/6
D549,899 S *	8/2007	Suh	D32/6
D648,907 S *	11/2011	Jeon et al.	D32/6

* cited by examiner

(**) Term: **14 Years**
(21) Appl. No.: **29/494,770**
(22) Filed: **Jun. 24, 2014**

Primary Examiner — T. Chase Nelson
Assistant Examiner — Michelle E Wilson
(74) *Attorney, Agent, or Firm* — Cantor Colburn LLP

(30) **Foreign Application Priority Data**
Dec. 27, 2013 (KR) 30-2013-0065761
(51) **LOC (10) Cl.** **15-05**
(52) **U.S. Cl.**
USPC **D32/6**
(58) **Field of Classification Search**
USPC D32/1, 5-6, 8; 68/3 R, 5 R, 12.01, 12.08;
34/87-88, 524, 534; 312/31
See application file for complete search history.

(57) **CLAIM**
The ornamental design for a washing machine, as shown and described.

(56) **References Cited**
U.S. PATENT DOCUMENTS
D450,164 S * 11/2001 Dyson et al. D32/6
D457,992 S * 5/2002 Baldwin et al. D32/6

DESCRIPTION
FIG. 1 is a perspective view of a washing machine, showing our new design;
FIG. 2 is a front elevation view thereof;
FIG. 3 is a rear elevation view thereof;
FIG. 4 is a side elevation view thereof;
FIG. 5 is a another side elevation view thereof;
FIG. 6 is a top plan view thereof; and,
FIG. 7 is a bottom plan view thereof.
The broken lines are for environmental purpose only and form no part of the claimed design.

1 Claim, 7 Drawing Sheets

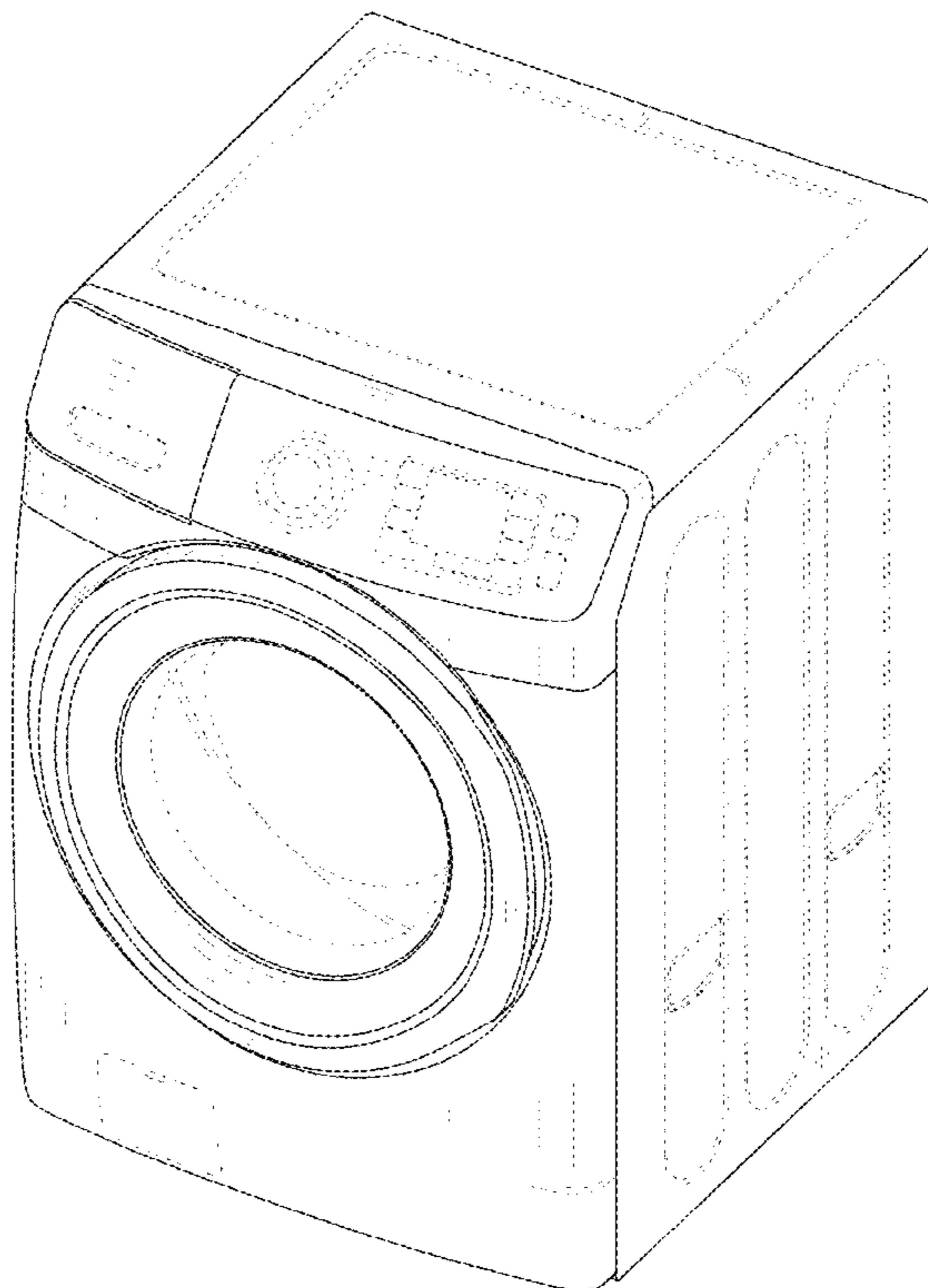


FIG. 1

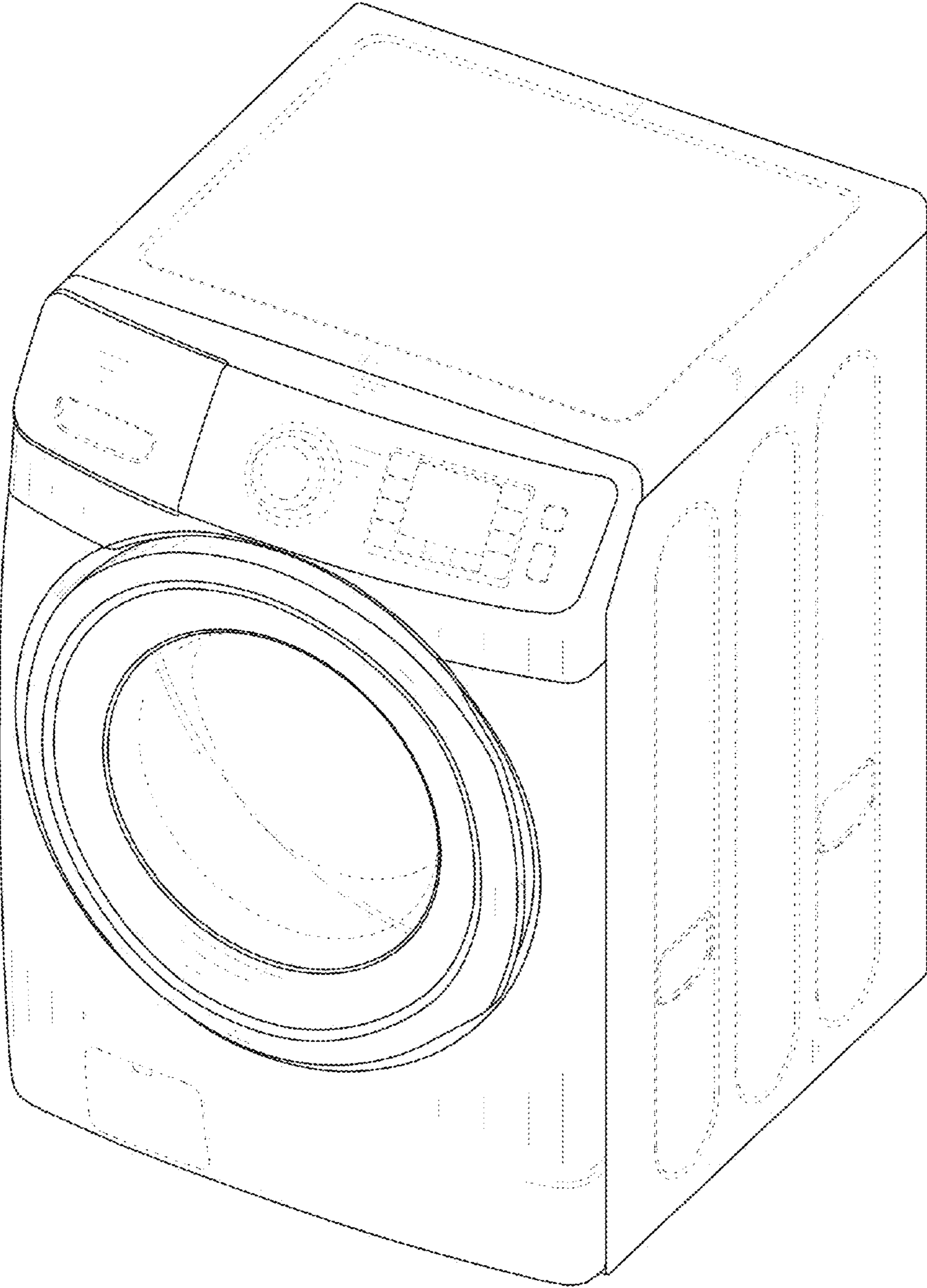


FIG. 2

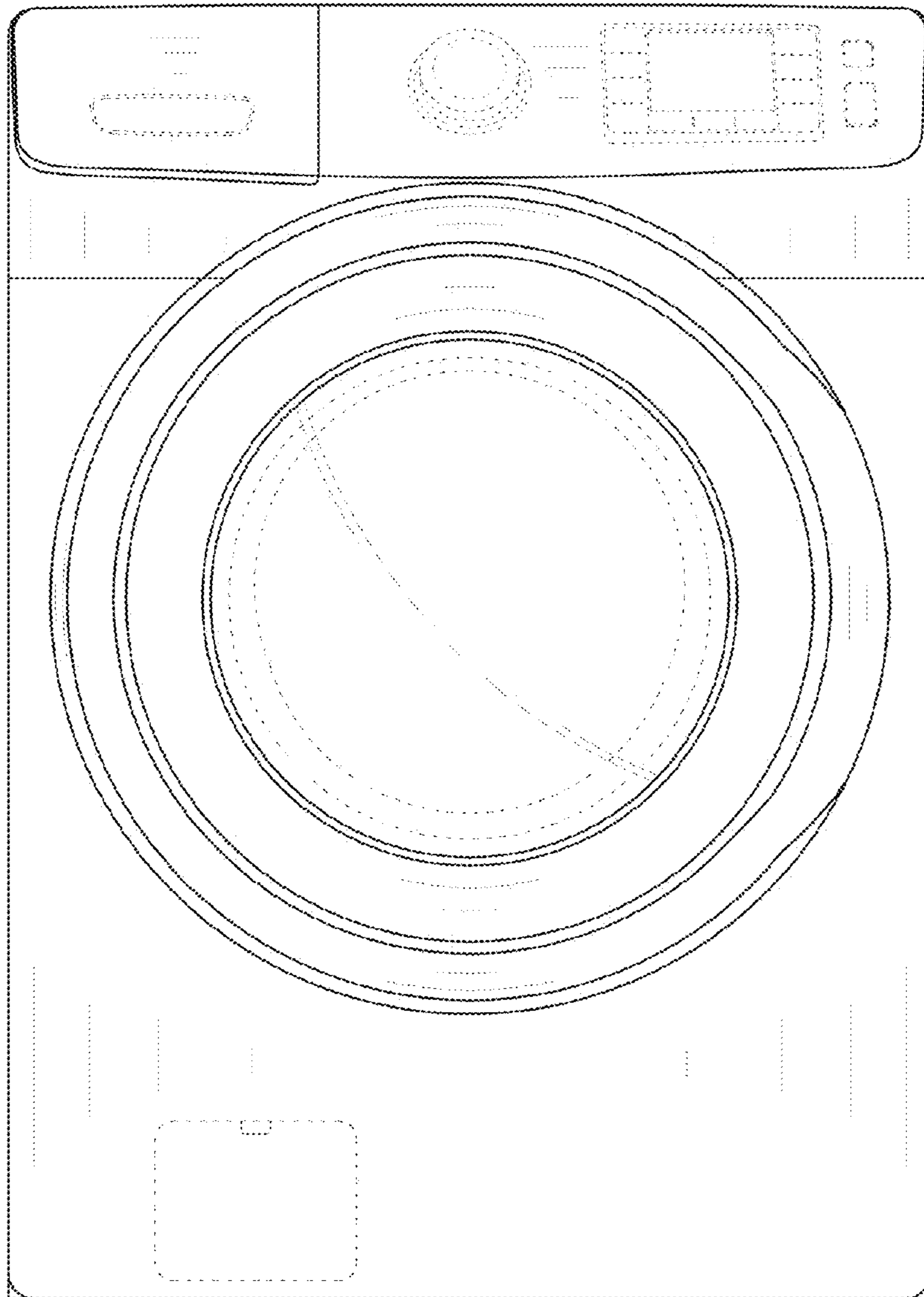


FIG. 3

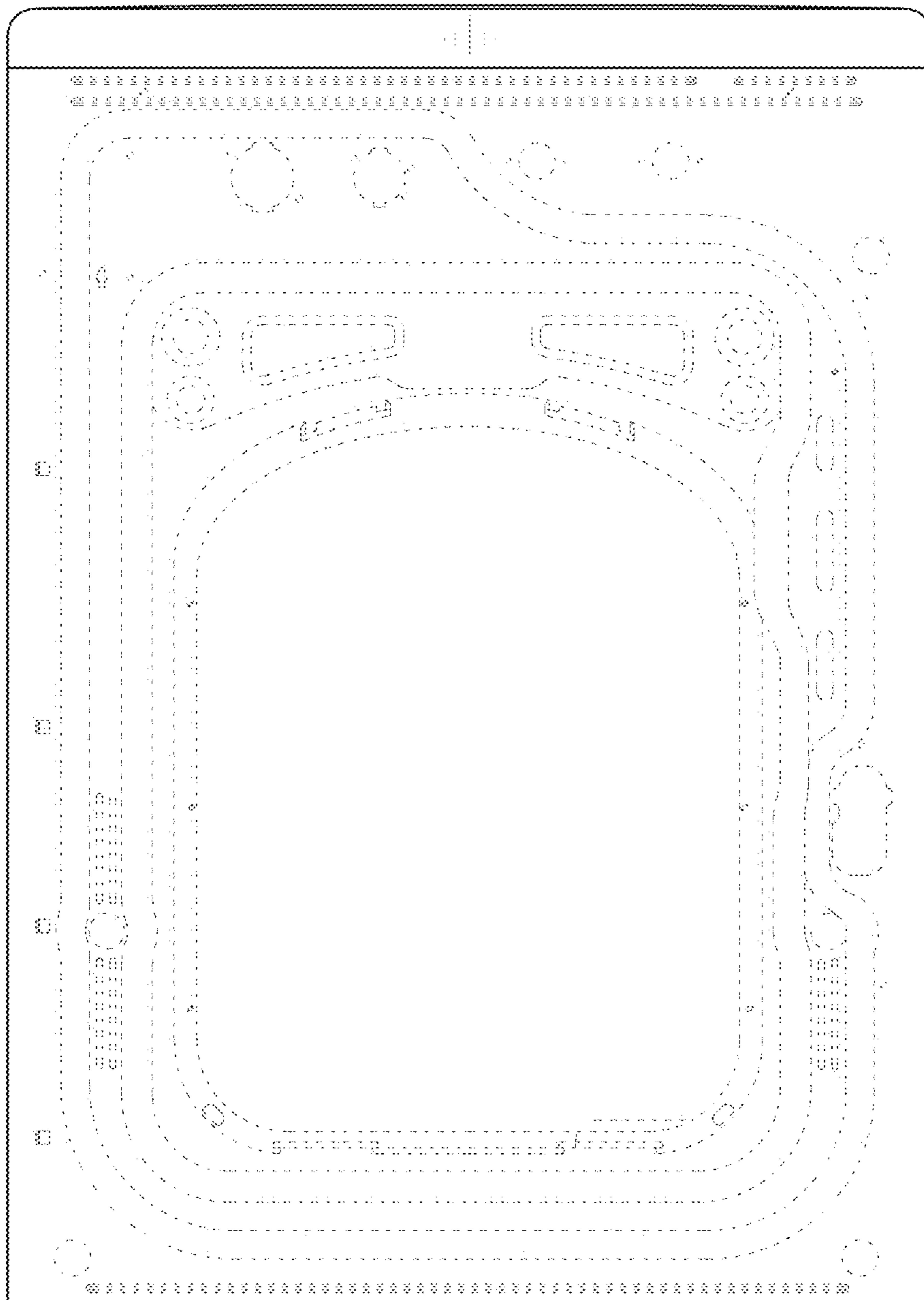


FIG. 4

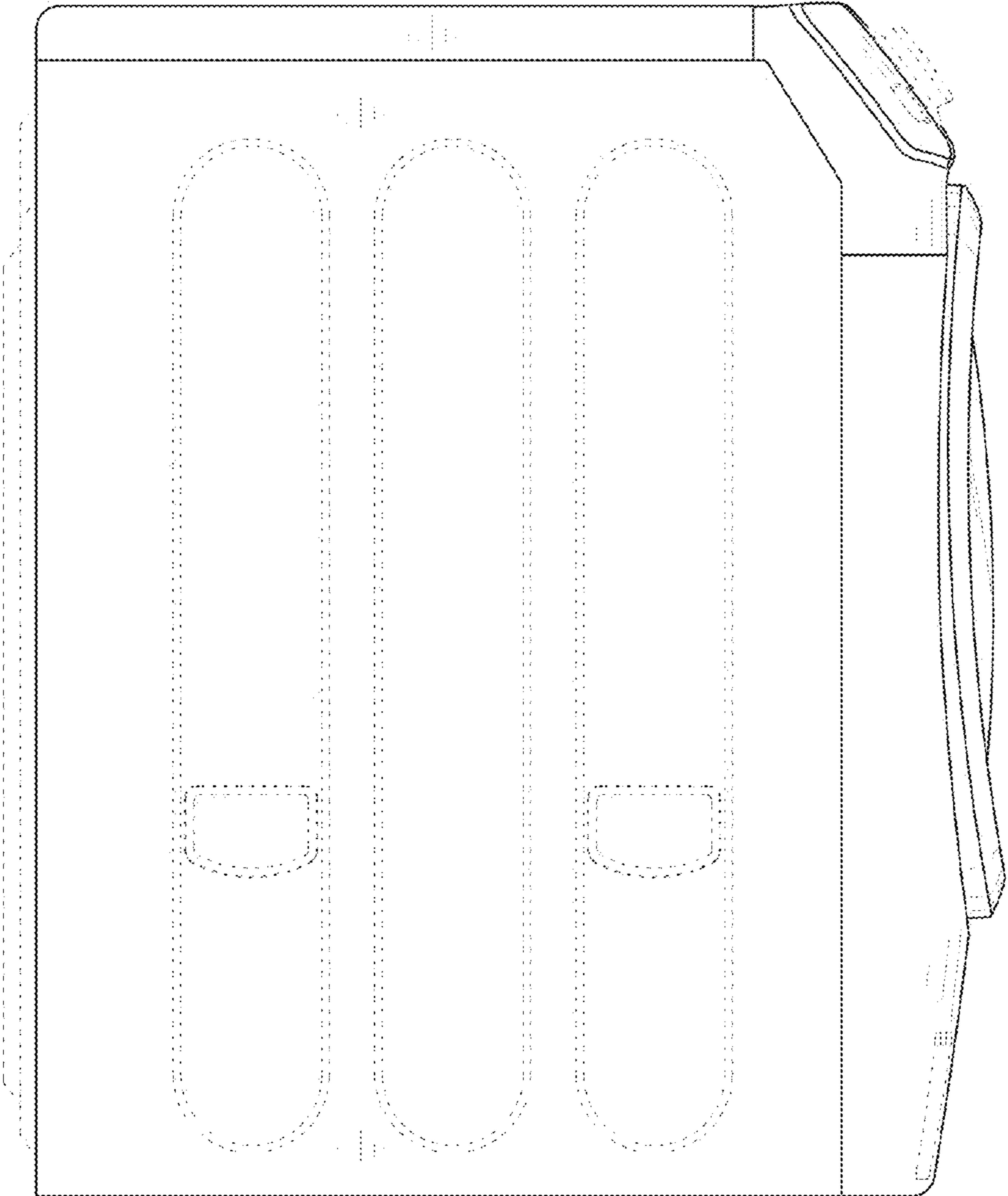


FIG. 5

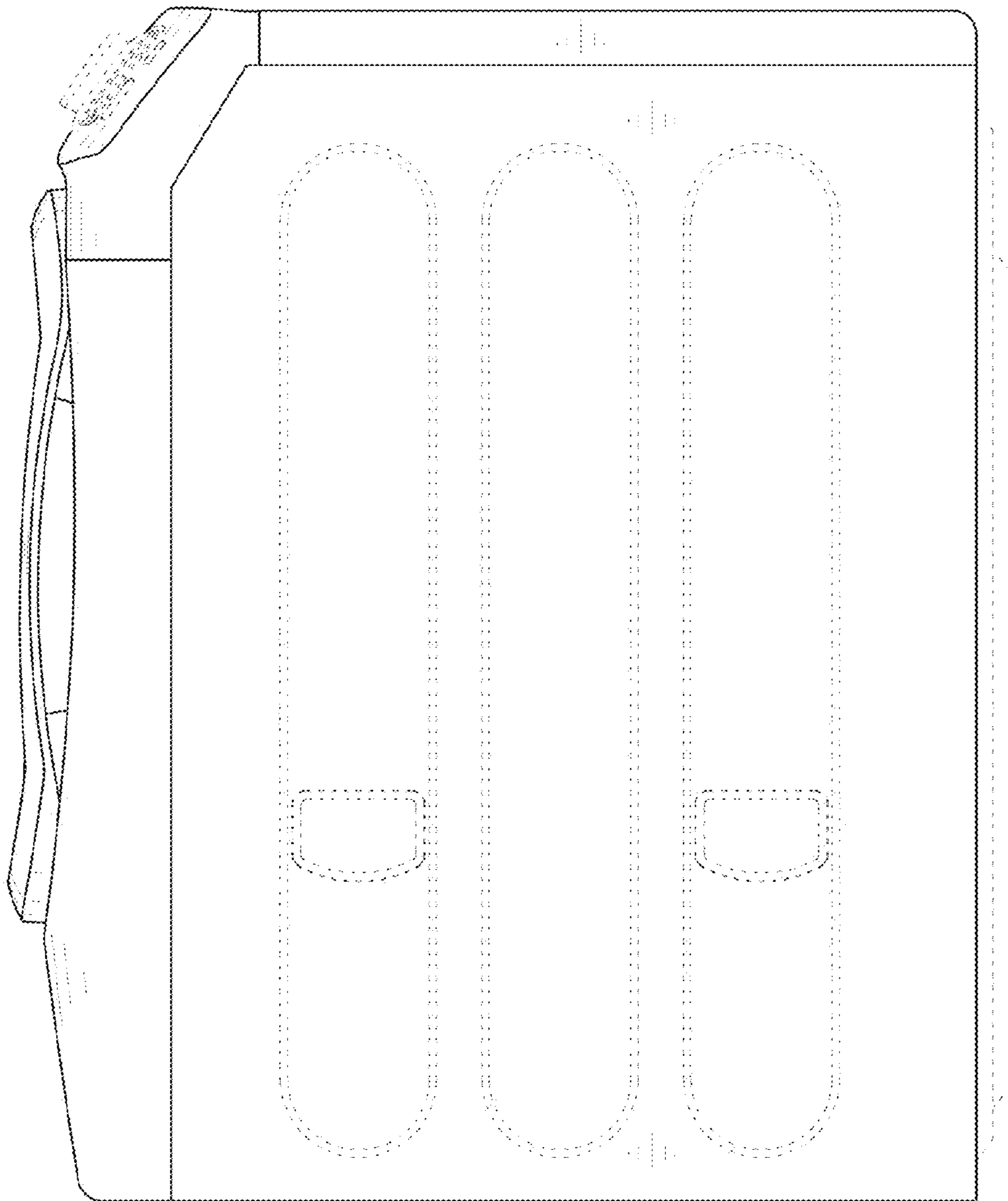


FIG. 6

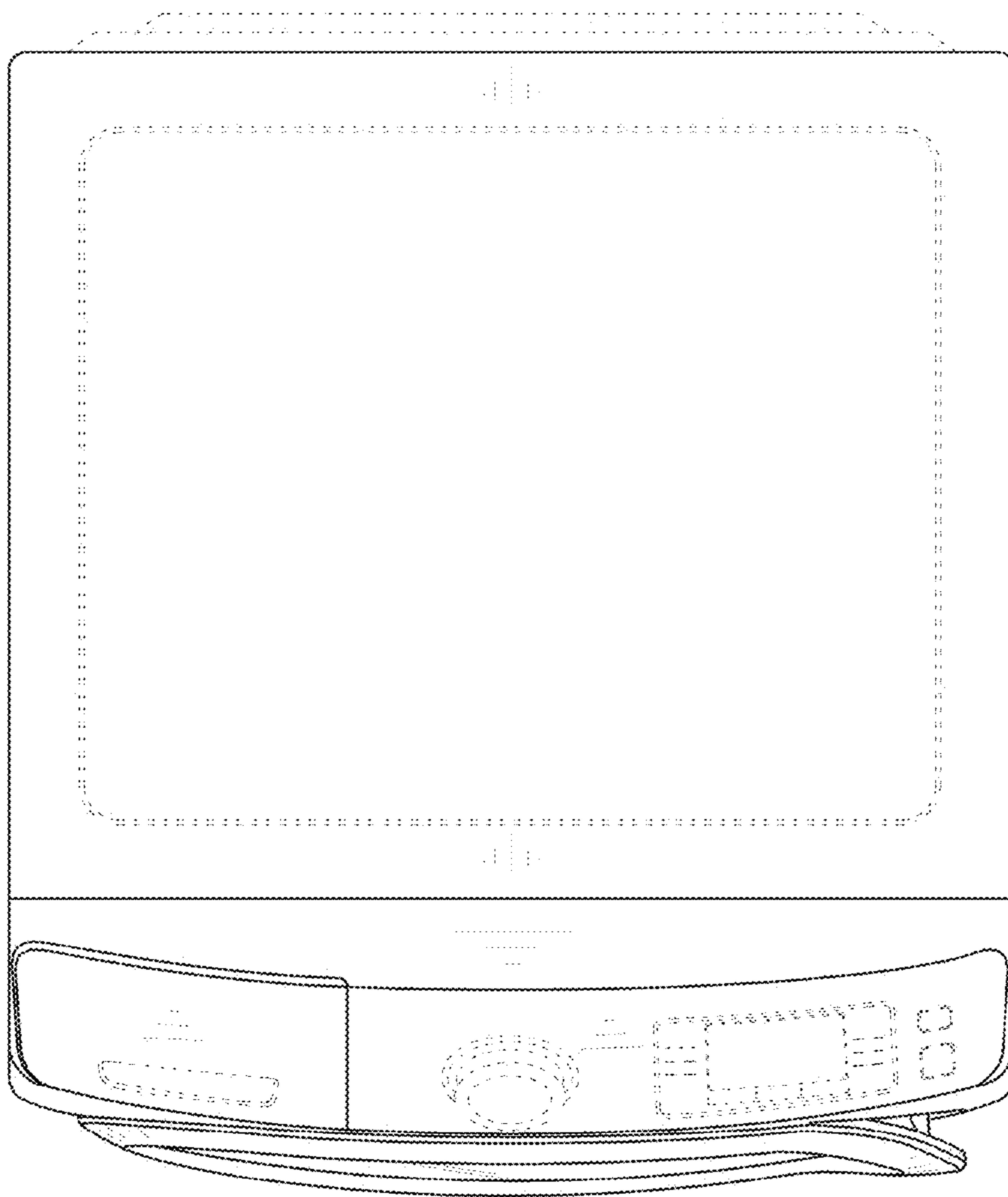


FIG. 7

