



US00D729993S

(12) **United States Design Patent**  
**Belanger et al.**

(10) **Patent No.:** **US D729,993 S**

(45) **Date of Patent:** **\*\* May 19, 2015**

(54) **MEDIA ELEMENT FOR A VEHICLE WASH COMPONENT**

D706,998 S \* 6/2014 Andersen ..... D32/4  
2013/0104332 A1 \* 5/2013 Belanger et al. .... 15/246  
2014/0259727 A1 \* 9/2014 Belanger et al. .... 34/355

(71) Applicants: **Michael J. Belanger**, Northville, MI (US); **Barry S. Turner**, Novi, MI (US); **Thomas E. Weyandt**, Northville, MI (US)

\* cited by examiner

*Primary Examiner* — T. Chase Nelson  
*Assistant Examiner* — Michelle E Wilson

(72) Inventors: **Michael J. Belanger**, Northville, MI (US); **Barry S. Turner**, Novi, MI (US); **Thomas E. Weyandt**, Northville, MI (US)

(74) *Attorney, Agent, or Firm* — Dickinson Wright PLLC

(73) Assignee: **Belanger, Inc.**, Northville, MI (US)

(57) **CLAIM**  
The ornamental design for a media element for a vehicle wash component, as shown and described herein.

(\*\*) Term: **14 Years**

**DESCRIPTION**

(21) Appl. No.: **29/486,564**

(22) Filed: **Mar. 31, 2014**

(51) **LOC (10) Cl.** ..... **15-05**

(52) **U.S. Cl.**  
USPC ..... **D32/4**

(58) **Field of Classification Search**  
USPC ..... D32/4, 25; 15/97.3, 53.1, 53.2, 53.3, 15/316.1; 134/45, 123, 56 R, 58 R; 248/637, 672  
See application file for complete search history.

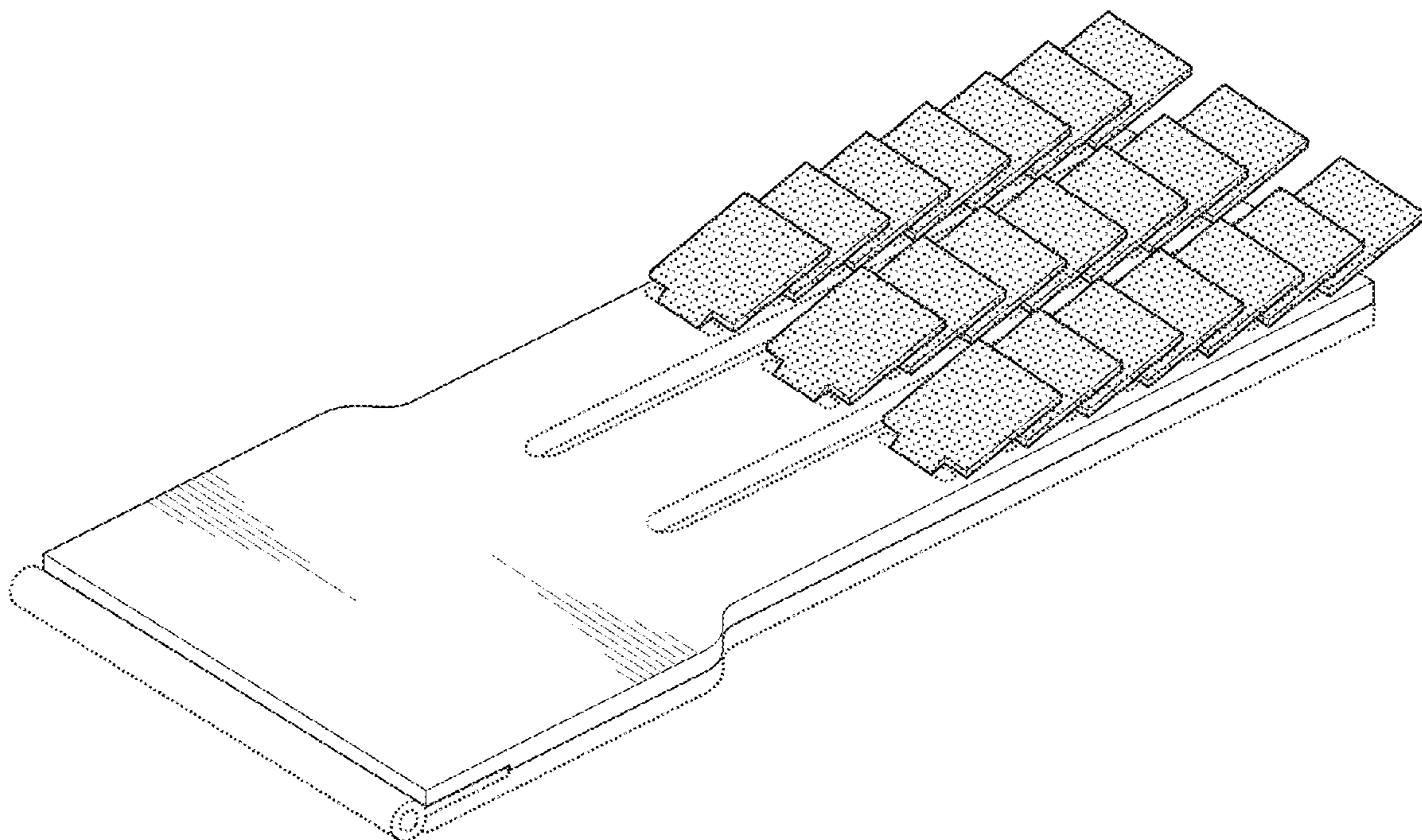
FIG. 1 is a perspective view of a media element for a vehicle wash component according to an aspect of the disclosure; FIG. 2 is a side view of a media element for a vehicle wash component according to an aspect of the disclosure; and FIG. 3 is a top view of a media element for a vehicle wash component according to an aspect of the disclosure; FIG. 4 is another side view of a media element for a vehicle wash component according to an aspect of the disclosure; FIG. 5 is bottom view of a media element for a vehicle wash component according to an aspect of the disclosure; FIG. 6 is an end view of a media element for a vehicle wash component according to an aspect of the disclosure; and, FIG. 7 is another end view of a media element for a vehicle wash component according to an aspect of the disclosure. The broken phantom lines depict unclaimed subject matter only and form no part of the claimed design.

(56) **References Cited**

U.S. PATENT DOCUMENTS

4,969,272 A \* 11/1990 Schleeter et al. .... 34/666  
D519,690 S \* 4/2006 Forster et al. .... D32/4

**1 Claim, 3 Drawing Sheets**



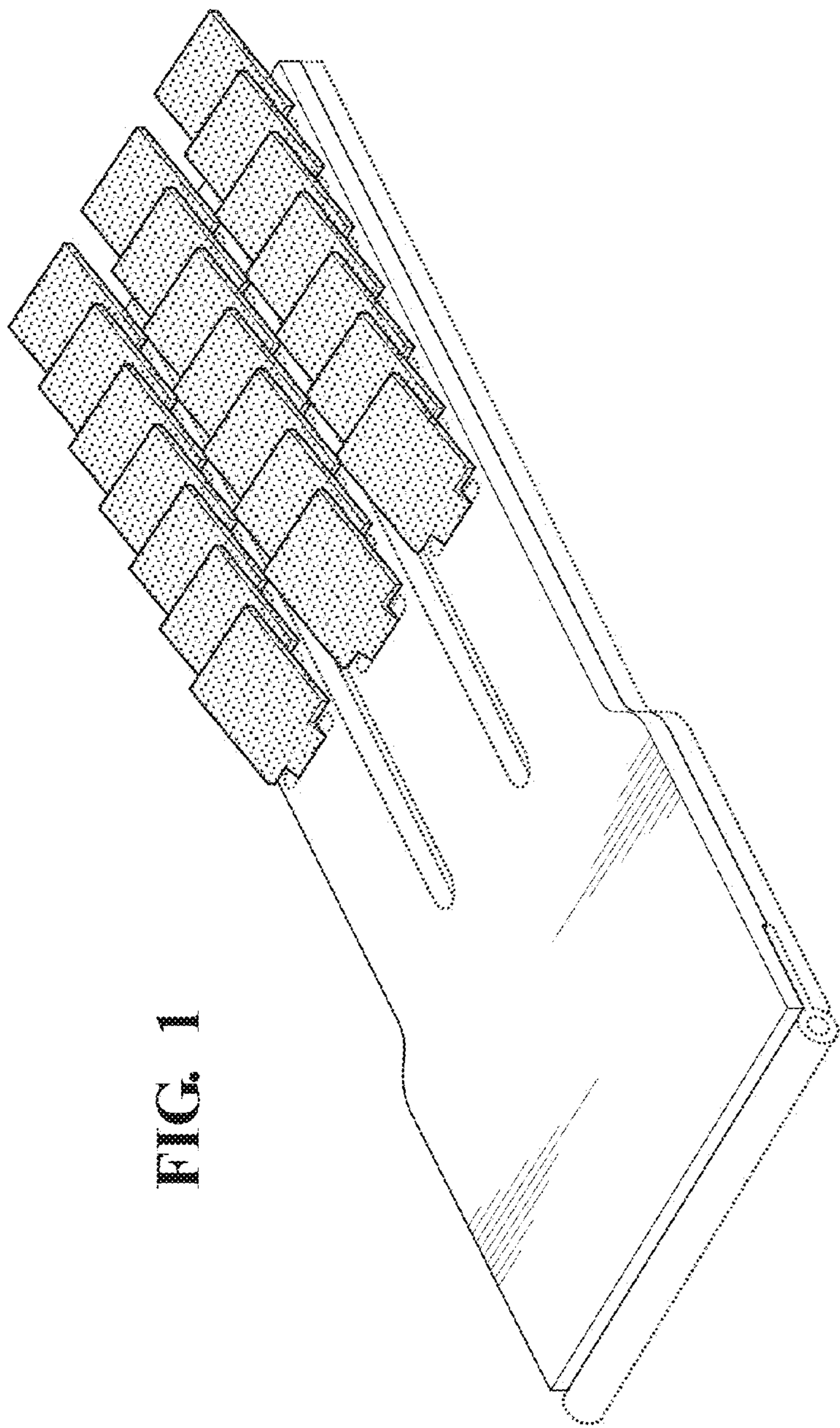
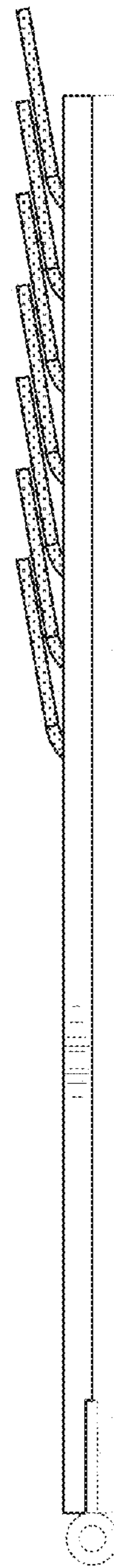


FIG. 1

FIG. 2



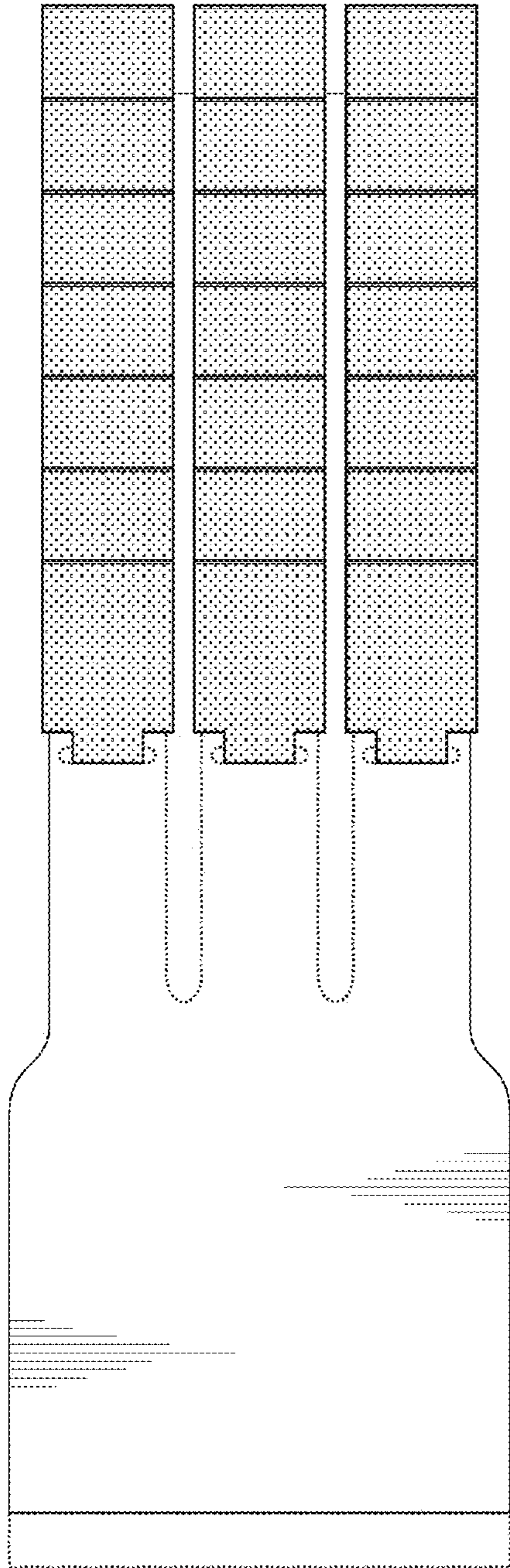


FIG. 3

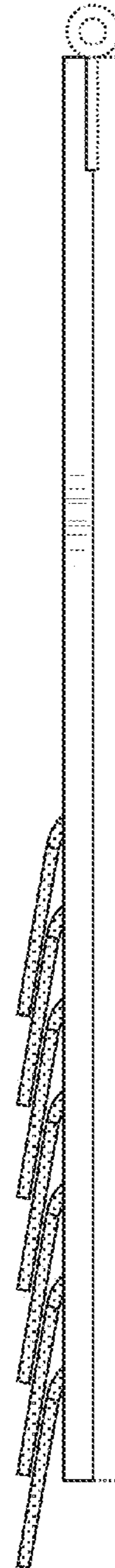


FIG. 4

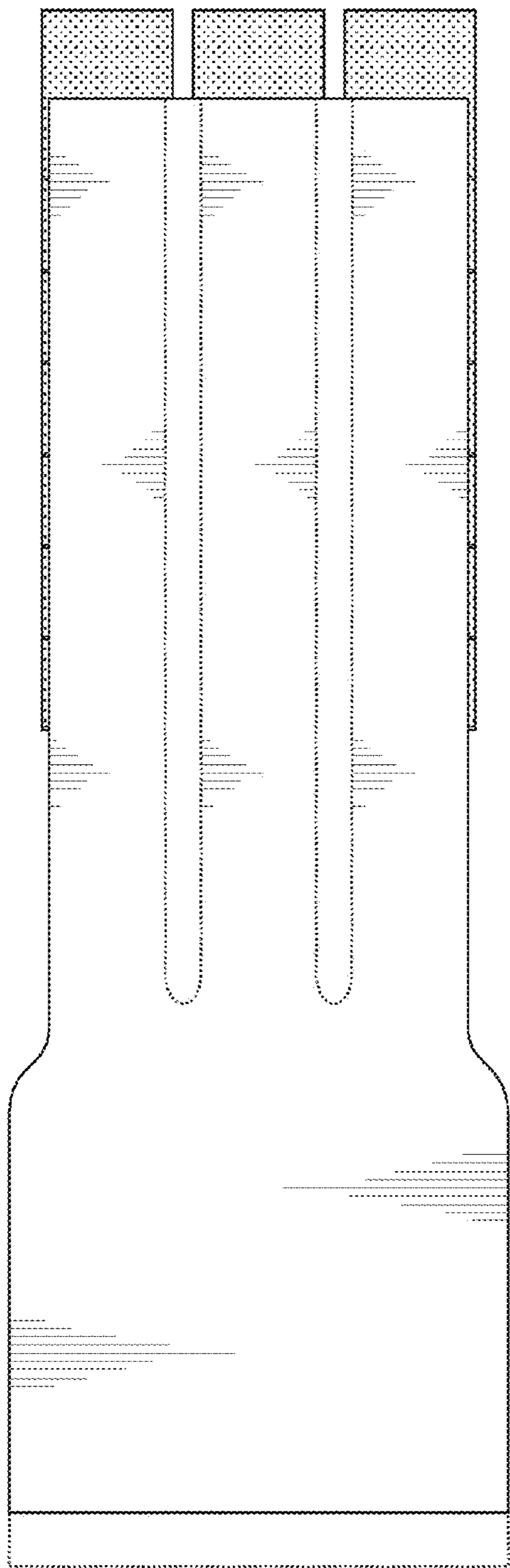


FIG. 5

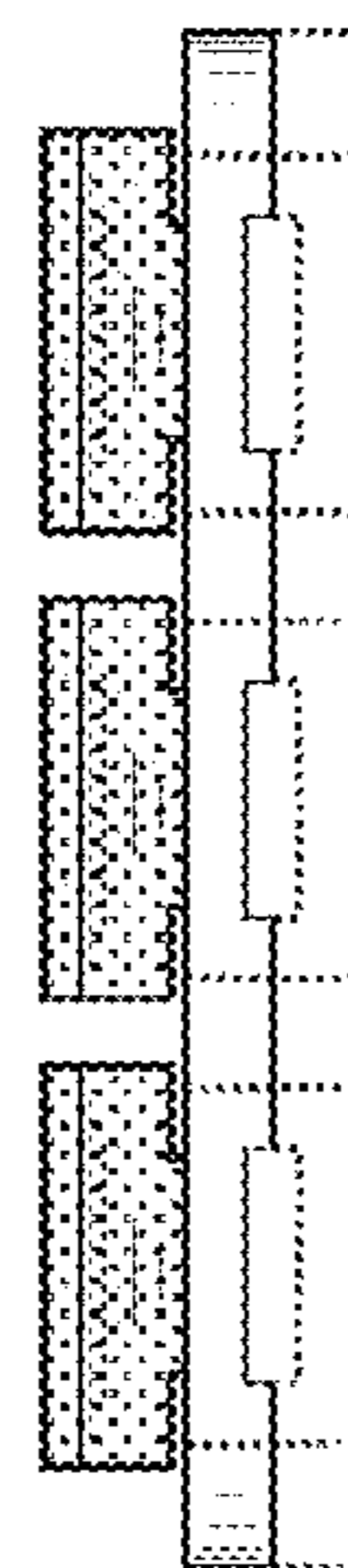


FIG. 7

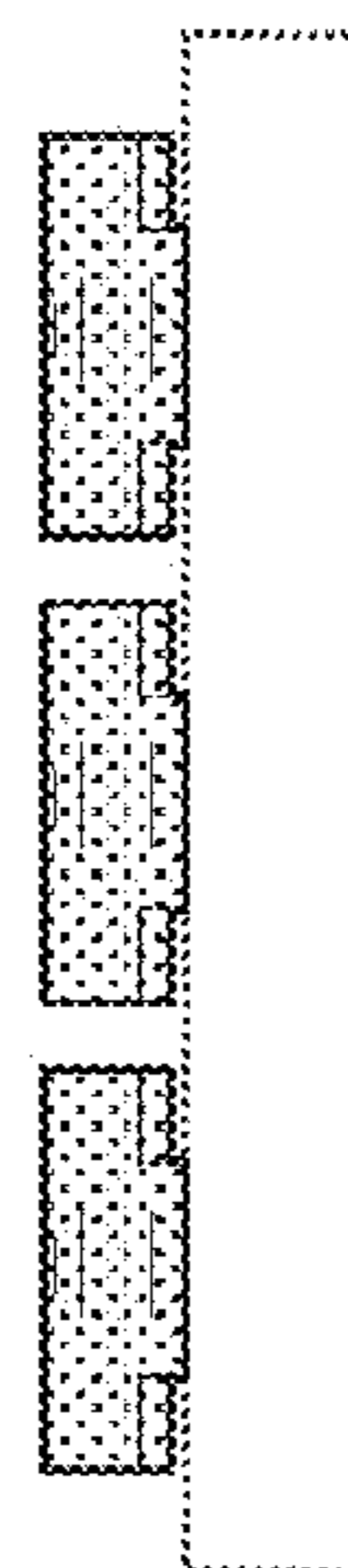


FIG. 6