

US00D729992S

(12) **United States Design Patent**
Haft et al.

(10) **Patent No.:** **US D729,992 S**
(45) **Date of Patent:** **** May 19, 2015**

(54) **DISHWASHER DOOR**

(71) Applicant: **Wolf Appliance, Inc.**, Fitchburg, WI (US)

(72) Inventors: **Thomas Haft**, Madison, WI (US); **Colin R. Clerkin**, Waunakee, WI (US); **Gerry Lippincott**, Milton, WI (US); **Brian Wylie**, Stoughton, WI (US); **Dan Yokes**, Verona, WI (US); **Randy Campbell**, Madison, WI (US); **Curtis Leroy Cruver, IV**, Elmhurst, IL (US)

(73) Assignee: **Wolf Appliance, Inc.**, Fitchburg, WI (US)

(**) Term: **14 Years**

(21) Appl. No.: **29/493,340**

(22) Filed: **Jun. 9, 2014**

Related U.S. Application Data

(62) Division of application No. 29/458,899, filed on Jun. 24, 2013, now Pat. No. Des. 710,557.

(51) **LOC (10) Cl.** **15-05**

(52) **U.S. Cl.**
USPC **D32/3**

(58) **Field of Classification Search**

USPC D32/1, 2, 3, 25, 29.1; 134/25.2, 56 D, 134/93, 133; 222/651; 312/228
See application file for complete search history.

(56) **References Cited**

U.S. PATENT DOCUMENTS

D232,187 S * 7/1974 McCollom D32/25
5,133,487 A * 7/1992 Russi 222/651
5,261,432 A * 11/1993 Sandrin 134/93
D352,578 S * 11/1994 Mooney et al. D32/3
6,622,896 B2 * 9/2003 Hegeman et al. 222/651

D488,895 S * 4/2004 Cheo et al. D32/25
D512,544 S * 12/2005 Jeong et al. D32/3
D515,255 S * 2/2006 Jeong D32/3

(Continued)

Primary Examiner — Robert A. Delehanty

(74) *Attorney, Agent, or Firm* — Bell & Manning, LLC

(57)

CLAIM

We claim the ornamental design for a dishwasher door, as shown and described.

DESCRIPTION

FIG. 1 is a front perspective view showing our new design for a dishwasher door with the dishwasher door in a closed position in its environment and not to the same scale as that shown in FIGS. 2 to 10;

FIG. 2 is a front perspective view showing our new design for the dishwasher door with the dishwasher door in an open position in its environment and not to the same scale as that shown in FIGS. 1 and 3 to 10;

FIG. 3 is a front perspective view of the dishwasher door in accordance with FIGS. 1 and 2;

FIG. 4 is a front elevation view of the dishwasher door in accordance with FIGS. 1 and 2;

FIG. 5 is a back perspective view of the dishwasher door in accordance with FIGS. 1 and 2;

FIG. 6 is a back elevation view of the dishwasher door in accordance with FIGS. 1 and 2;

FIG. 7 is a right elevation side view of the dishwasher door in accordance with FIGS. 1 and 2;

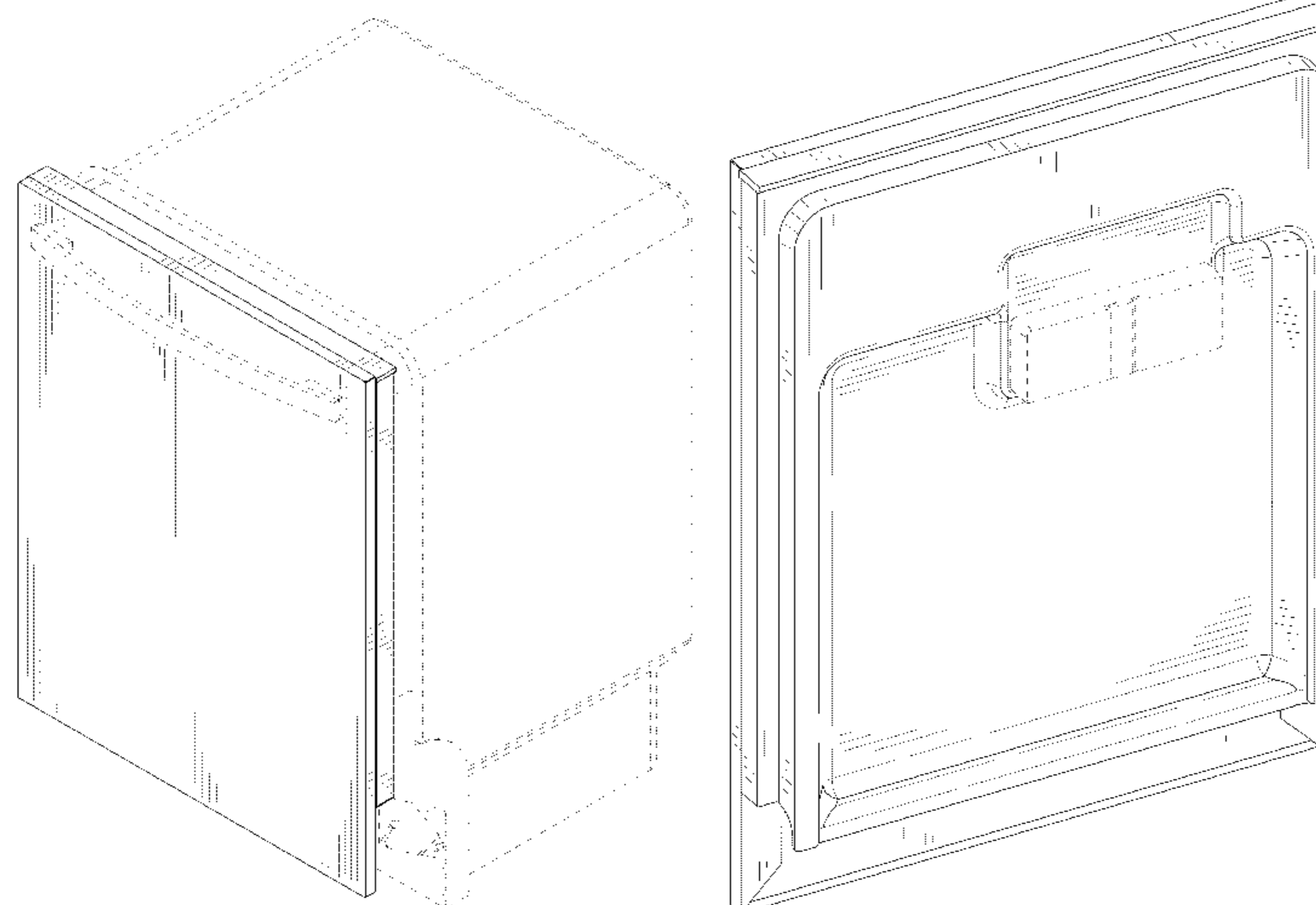
FIG. 8 is a left elevation side view of the dishwasher door in accordance with FIGS. 1 and 2;

FIG. 9 is a top plan view of the dishwasher door in accordance with FIGS. 1 and 2; and,

FIG. 10 is a bottom plan view of the dishwasher door in accordance with FIGS. 1 and 2.

The broken lines in FIGS. 1-10 are included for the purpose of illustrating portions of the dishwasher door that form no part of the claimed design and/or for the purpose of illustrating portions of the environment of the dishwasher door that form no part of the claimed design. None of the broken lines form a part of the claimed design.

1 Claim, 8 Drawing Sheets



(56)

References Cited

U.S. PATENT DOCUMENTS

D540,497	S *	4/2007	Song et al.	D32/2	D622,915	S *	8/2010	Crookshanks et al.	D32/3
D543,321	S *	5/2007	Jeon et al.	D32/2	7,850,787	B2 *	12/2010	Buser	134/56 D
D544,657	S *	6/2007	Jung et al.	D32/2	D649,833	S *	12/2011	Browne et al.	D7/405
7,231,928	B2 *	6/2007	Dingler et al.	134/93	D675,792	S *	2/2013	Eng et al.	D32/3
7,275,552	B2 *	10/2007	DeWeerd et al.	134/93	2005/0000551	A1 *	1/2005	McIntyre et al.	134/56 D
D571,062	S *	6/2008	Suh et al.	D32/2	2011/0031856	A1 *	2/2011	Haltmayer et al.	312/228
D580,603	S *	11/2008	Busalt et al.	D32/3	2012/0090643	A1 *	4/2012	Bertsch et al.	134/25.2
					2013/0087173	A1 *	4/2013	Welch	134/25.2
					2014/0373455	A1	12/2014	Haft et al.	

* cited by examiner

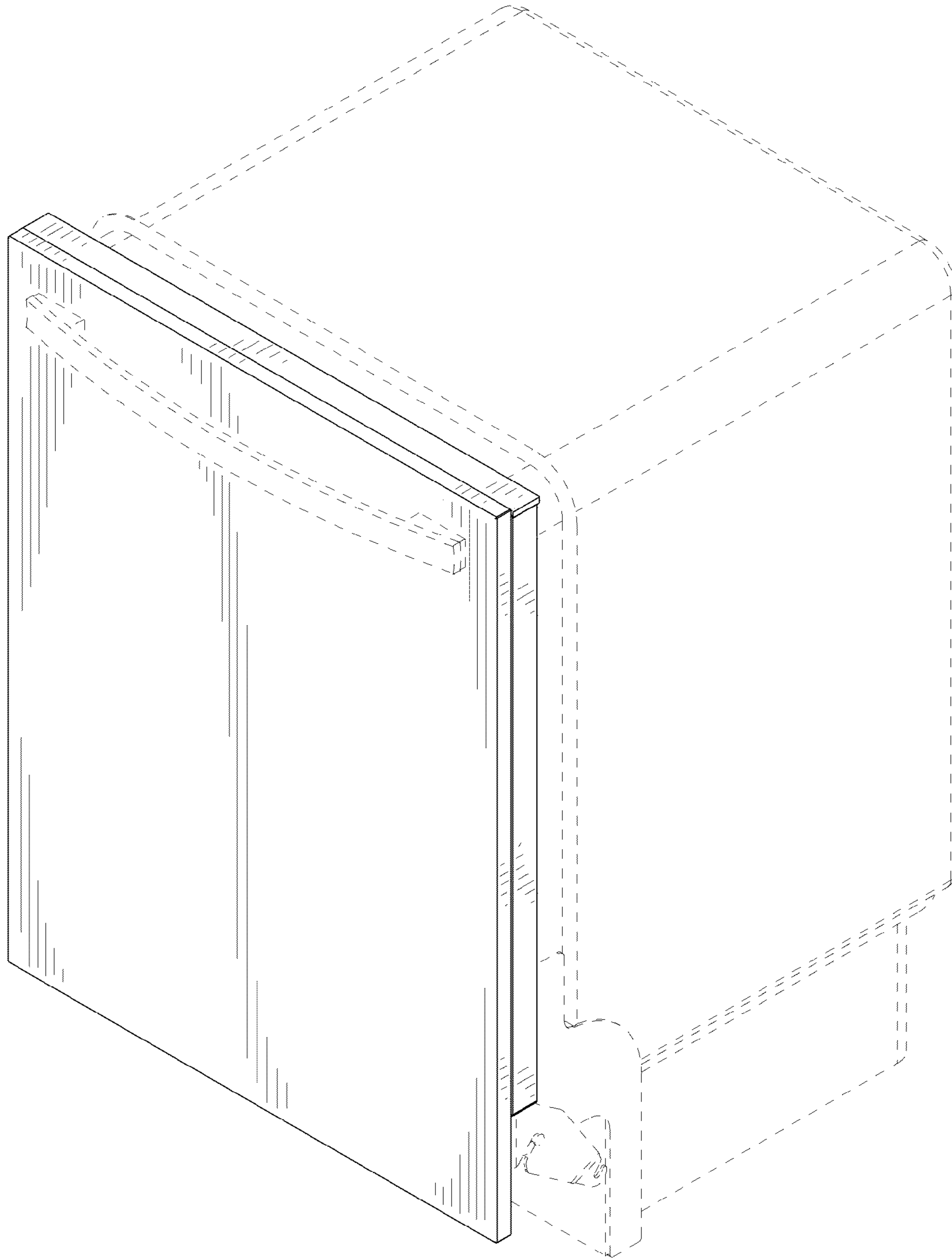


FIG. 1

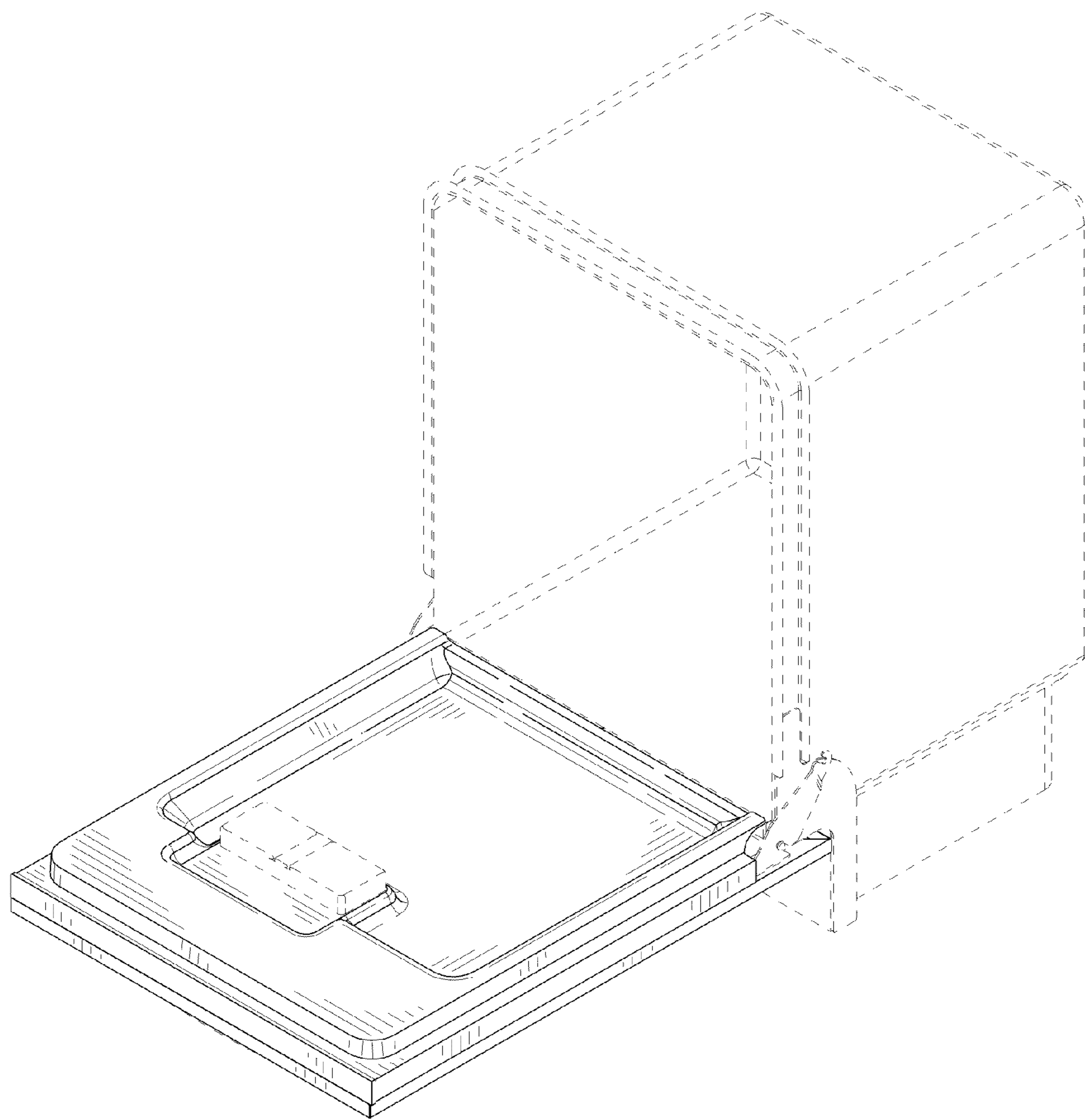


FIG. 2

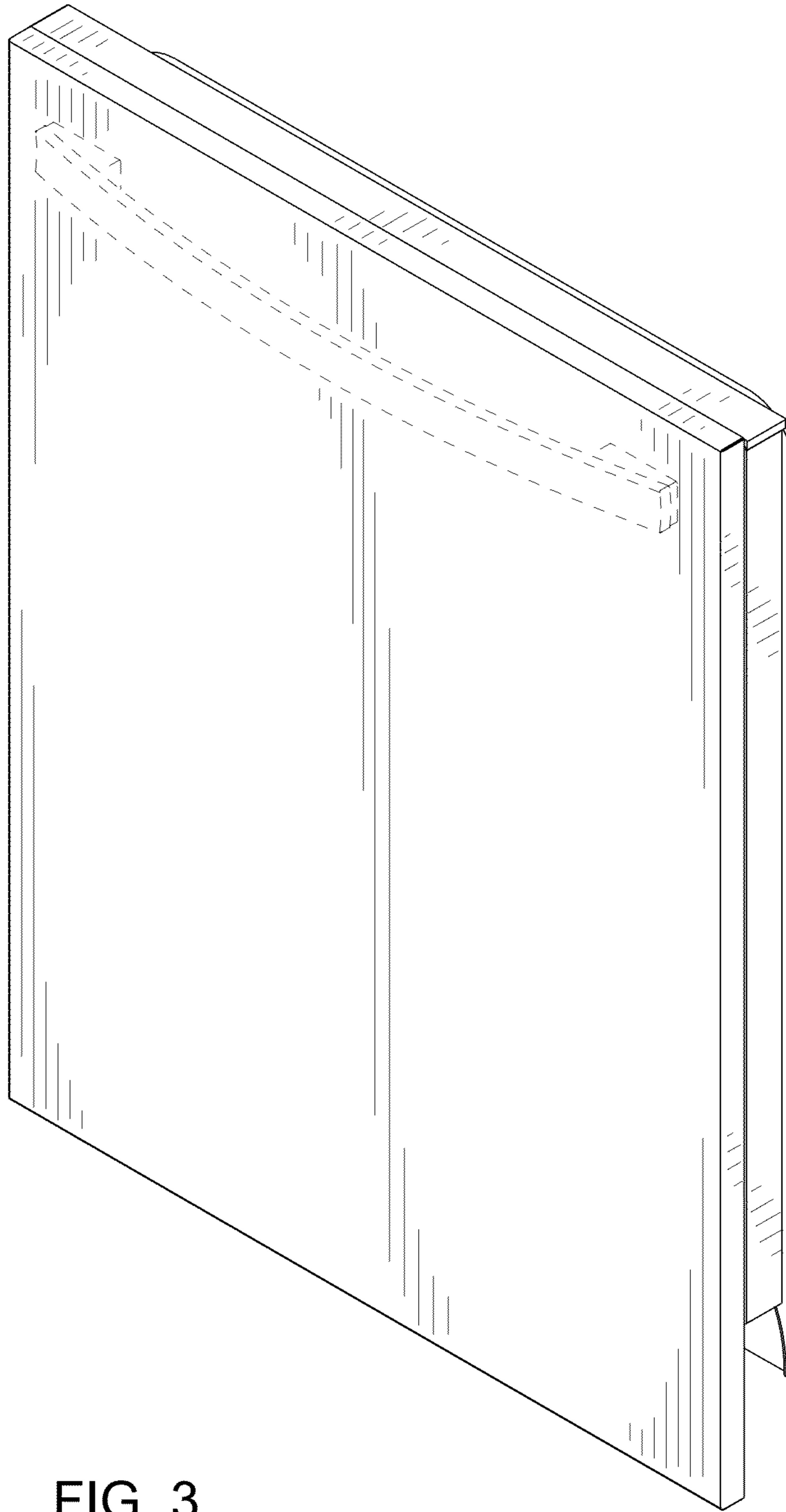


FIG. 3

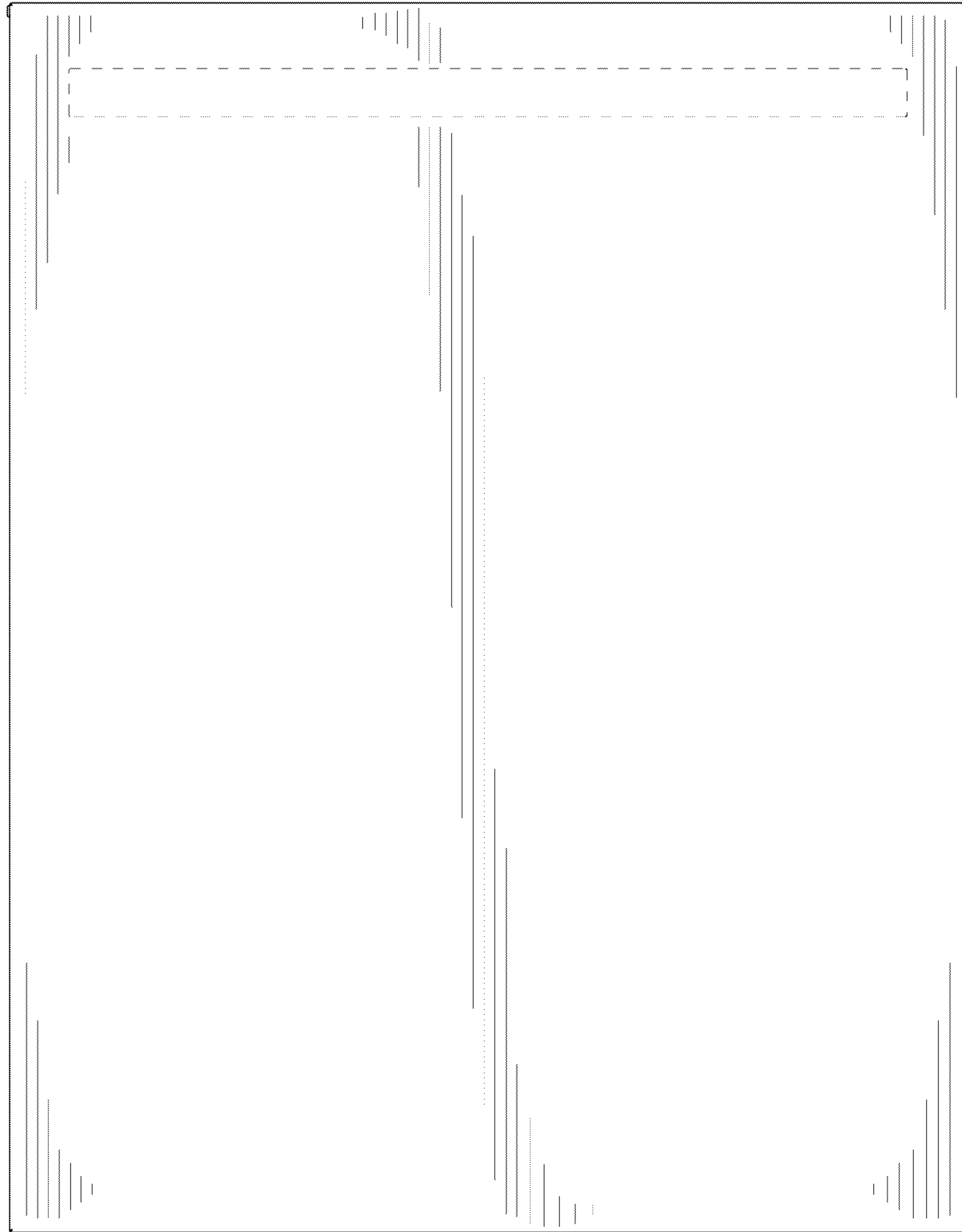


FIG. 4

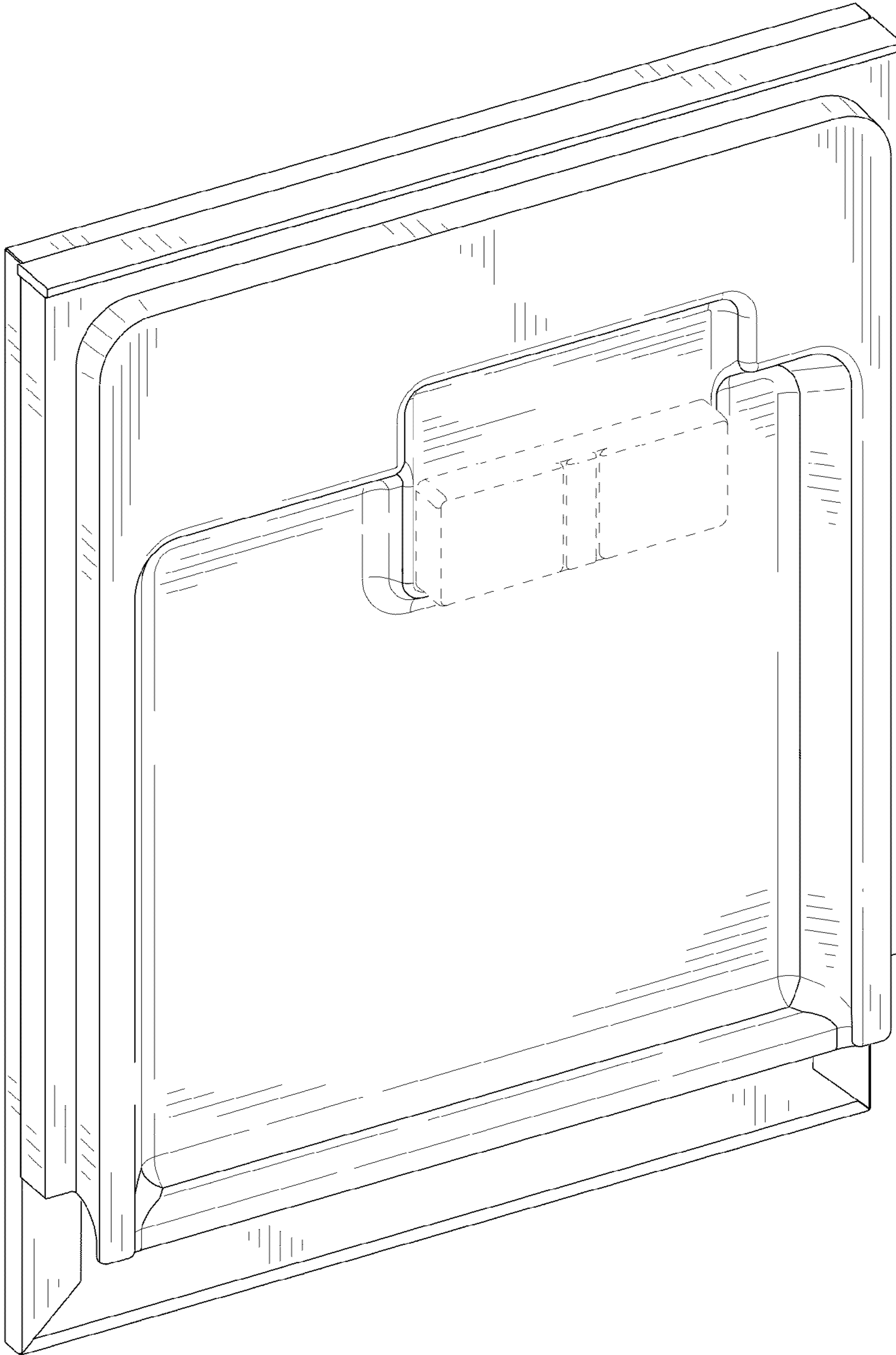


FIG. 5

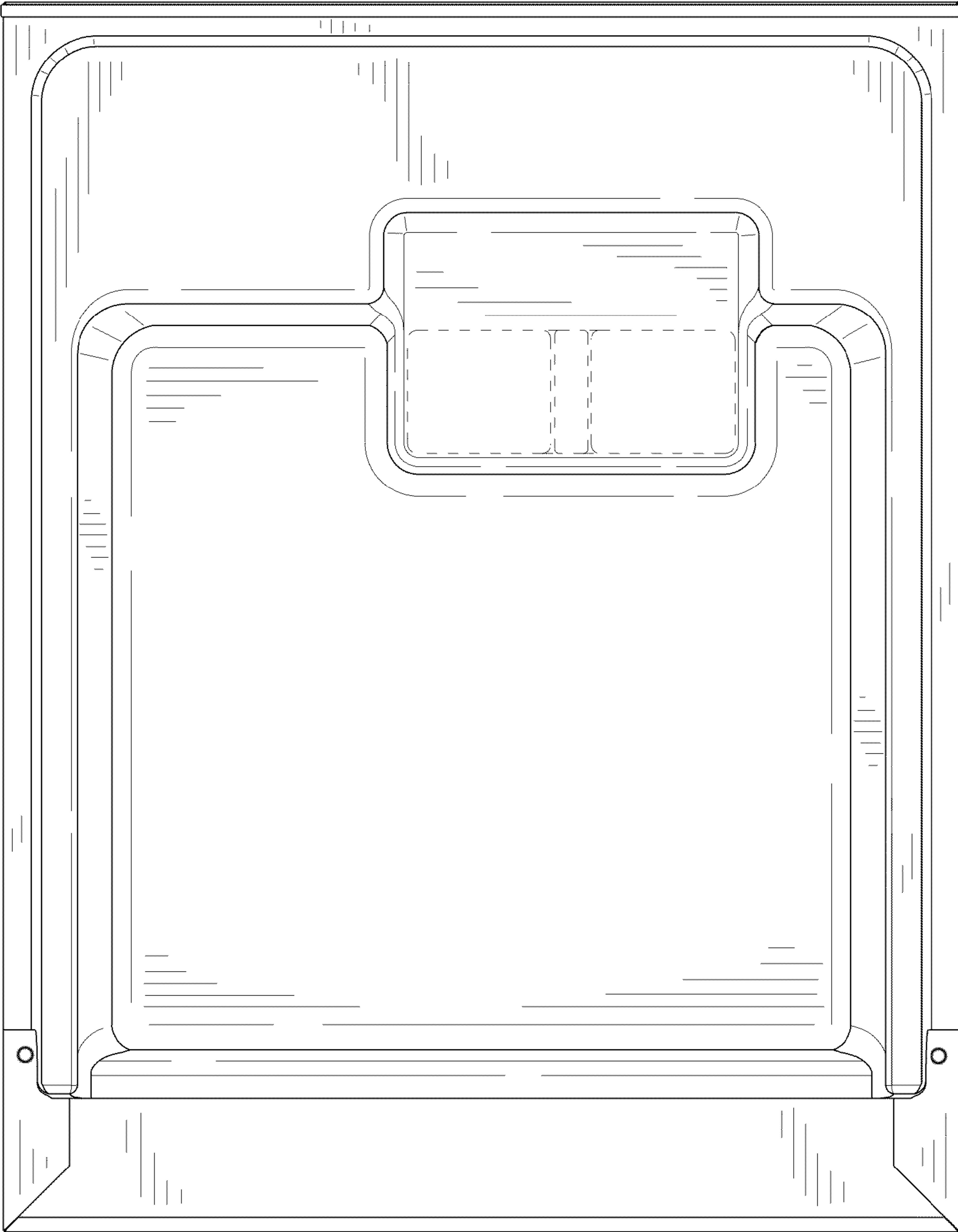


FIG. 6

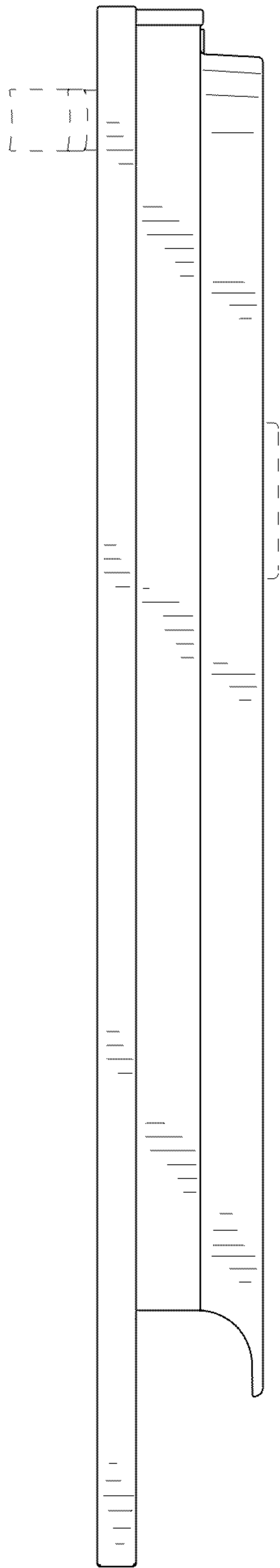


FIG. 7

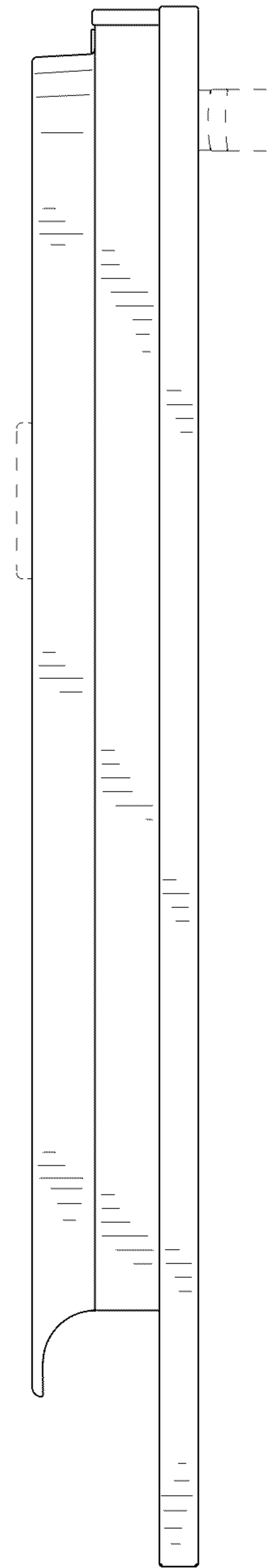


FIG. 8

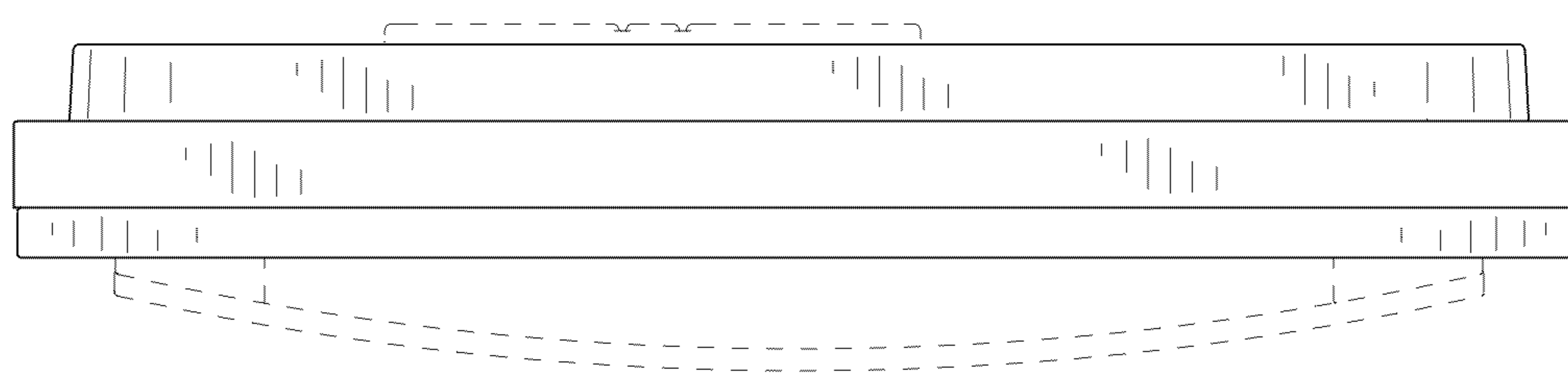


FIG. 9

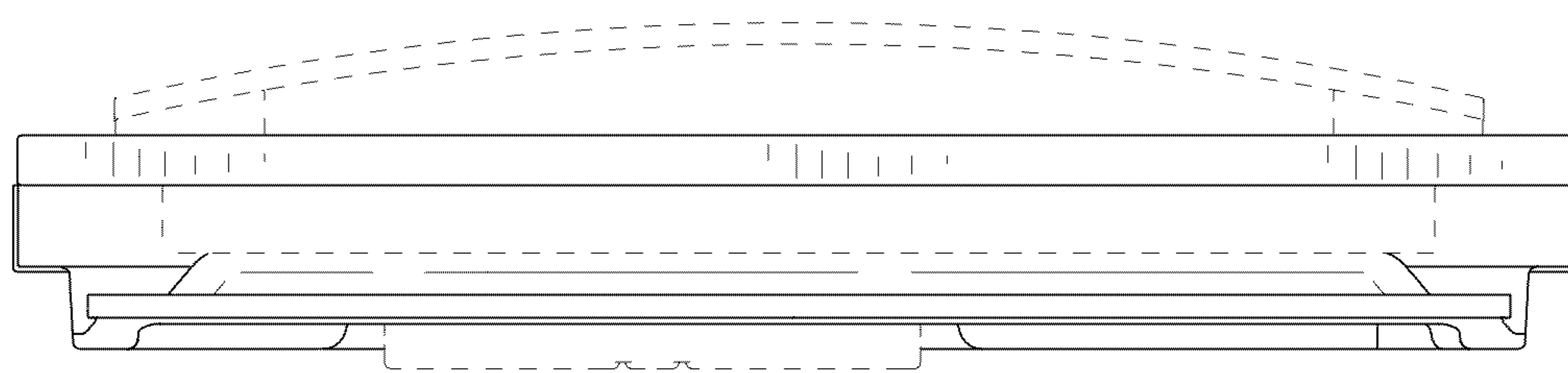


FIG. 10