



US00D729990S

(12) **United States Design Patent**
Taylor

(10) **Patent No.:** **US D729,990 S**

(45) **Date of Patent:** **** May 19, 2015**

(54) **ADJUSTABLE HANDHELD LEASH**

(71) Applicant: **Gregory William Taylor**, Dillon, CO
(US)

(72) Inventor: **Gregory William Taylor**, Dillon, CO
(US)

(**) Term: **14 Years**

(21) Appl. No.: **29/468,633**

(22) Filed: **Oct. 1, 2013**

(51) **LOC (10) Cl.** **30-04**

(52) **U.S. Cl.**
USPC **D30/153**

(58) **Field of Classification Search**
CPC ... A01K 27/00; A01K 27/003; A01K 27/004;
A01K 27/005; A01K 27/006
USPC D30/144, 145, 151, 152, 153, 199
See application file for complete search history.

(56) **References Cited**

U.S. PATENT DOCUMENTS

4,977,860	A	12/1990	Harwell	
5,161,486	A	11/1992	Brown	
6,192,835	B1	2/2001	Calhoun et al.	
6,712,026	B1 *	3/2004	Carville, Jr.	119/796
6,904,872	B2	6/2005	Muller	
6,925,967	B1 *	8/2005	Woodruff	119/859
7,168,393	B2 *	1/2007	Bogdahn et al.	119/796
7,467,604	B1	12/2008	Werner et al.	
7,784,728	B2 *	8/2010	Shi	242/385.4
7,886,700	B2 *	2/2011	Glazer	119/796
D638,998	S *	5/2011	Kaneko	D30/153
8,079,329	B1	12/2011	Pujol et al.	
8,267,050	B1	9/2012	Hatcher et al.	
8,322,311	B2	12/2012	Gould et al.	

8,342,137	B1	1/2013	Burkhardt	
8,413,613	B1	4/2013	Smith	
8,448,606	B2	5/2013	Yackley	
2006/0207522	A1 *	9/2006	Perkitny	119/796
2006/0266300	A1 *	11/2006	Perkitny	119/713
2006/0266301	A1	11/2006	Perkitny	
2012/0244763	A1	9/2012	Cregan	
2013/0008392	A1	1/2013	Holmstrom	
2013/0042818	A1	2/2013	Capoano	

OTHER PUBLICATIONS

“Z-Hands Free Dog Leash,” Larz Equipment Inc., 2005, 4 pages ,
found at [www.larzequipment.com/hands_free_leash.html].
Kahn “The Konalu City Lead: A Fantastic Alternative to the Retractable
Leash,” Doggie Style, Sep. 25, 2012, 6 pages, found at [www.
dogster.com/doggie-style/konalu-city-lead-adjustable-dog-leash-
indiegogo].

* cited by examiner

Primary Examiner — Martie K Holtje
(74) *Attorney, Agent, or Firm* — Sheridan Ross P.C.

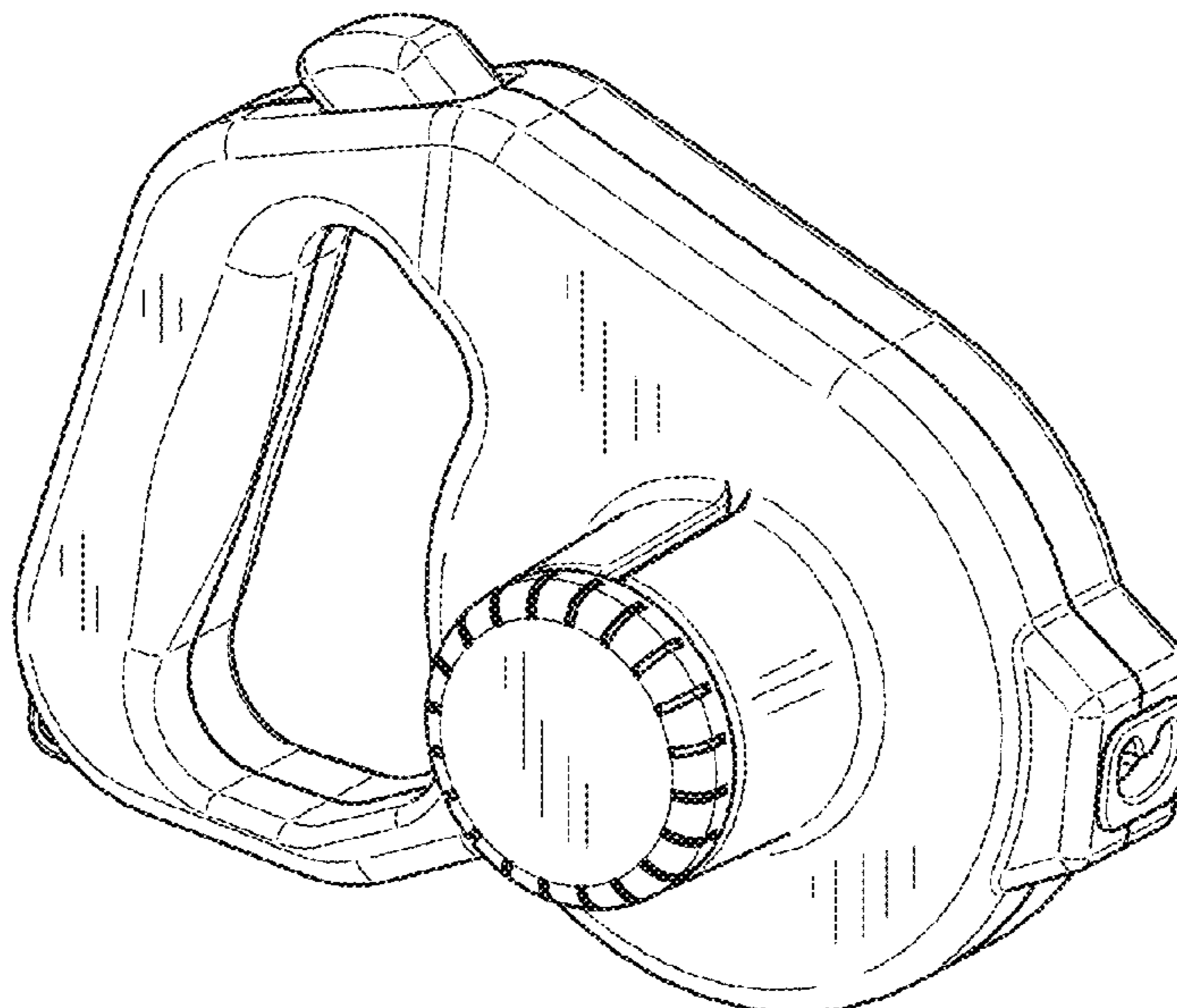
(57) **CLAIM**

The ornamental design for an adjustable handheld leash, as
shown and described.

DESCRIPTION

FIG. 1 is a front perspective view of a retractable leash,
showing my new design;
FIG. 2 is a rear perspective view thereof;
FIG. 3 is a front elevational view thereof;
FIG. 4 is a rear elevational view thereof;
FIG. 5 is a right side elevational view thereof;
FIG. 6 is a left side elevational view thereof;
FIG. 7 is a top plan view thereof; and,
FIG. 8 is a bottom plan view thereof.

1 Claim, 6 Drawing Sheets



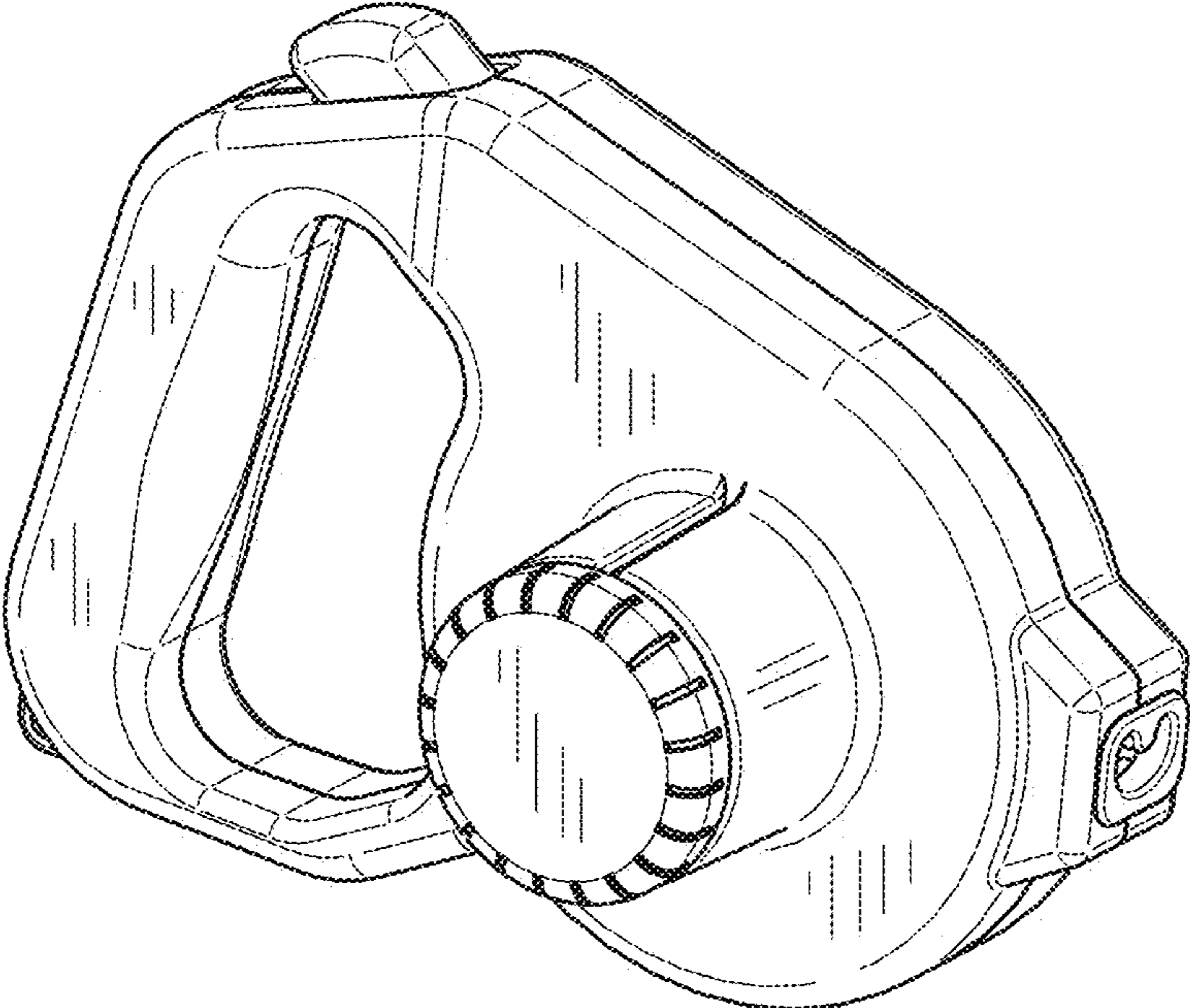


FIG.1

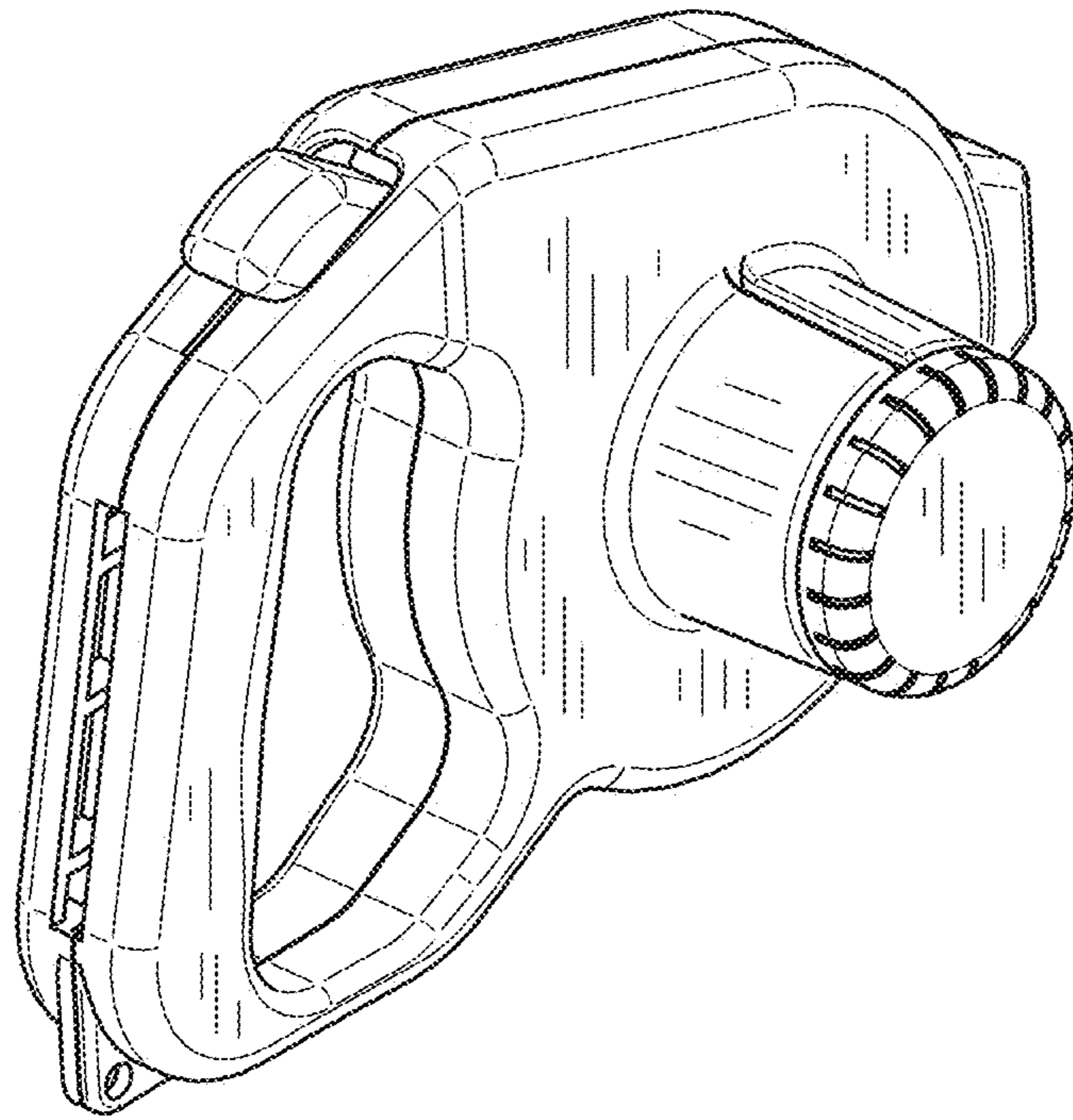


FIG.2

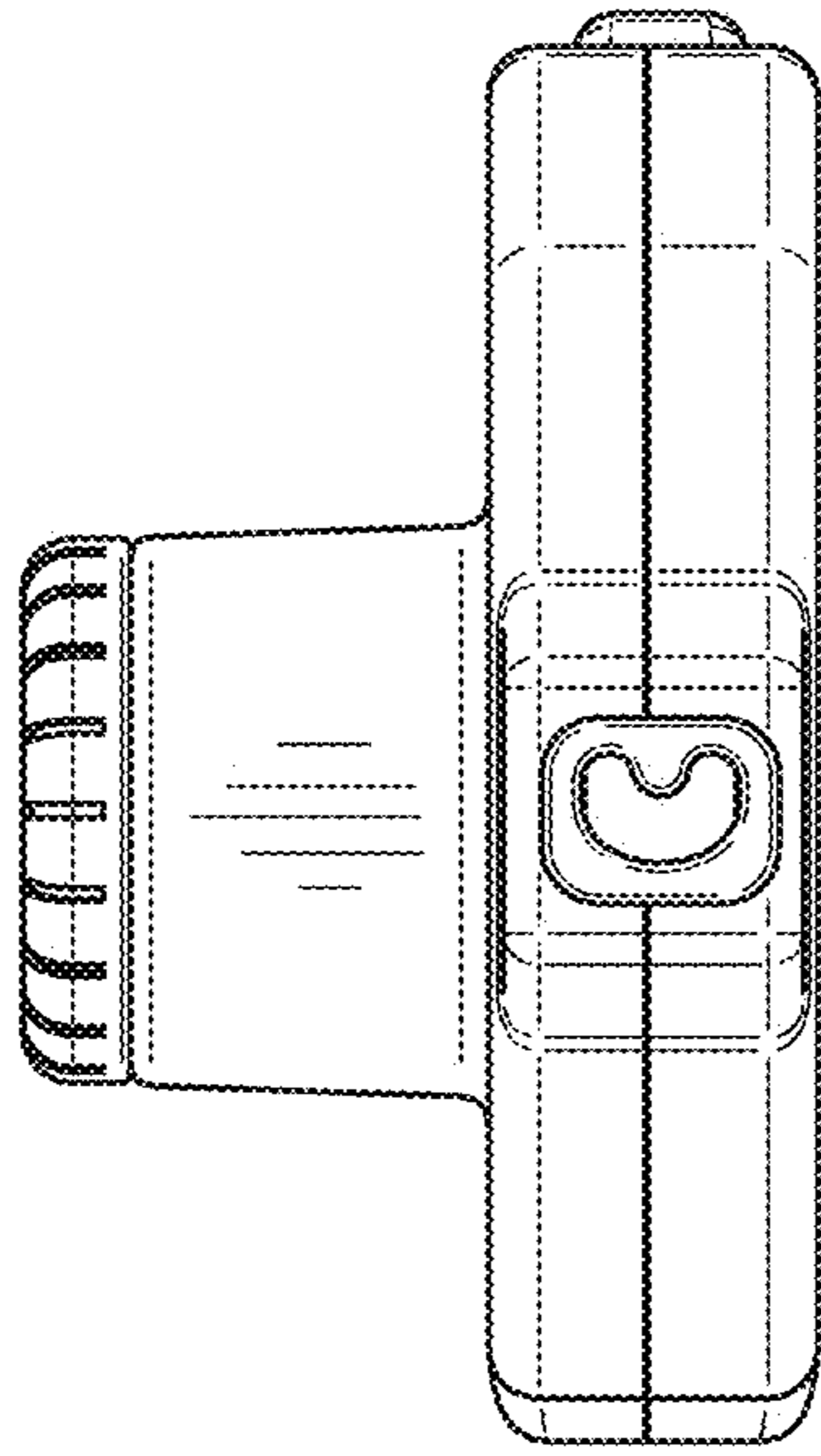


FIG.3

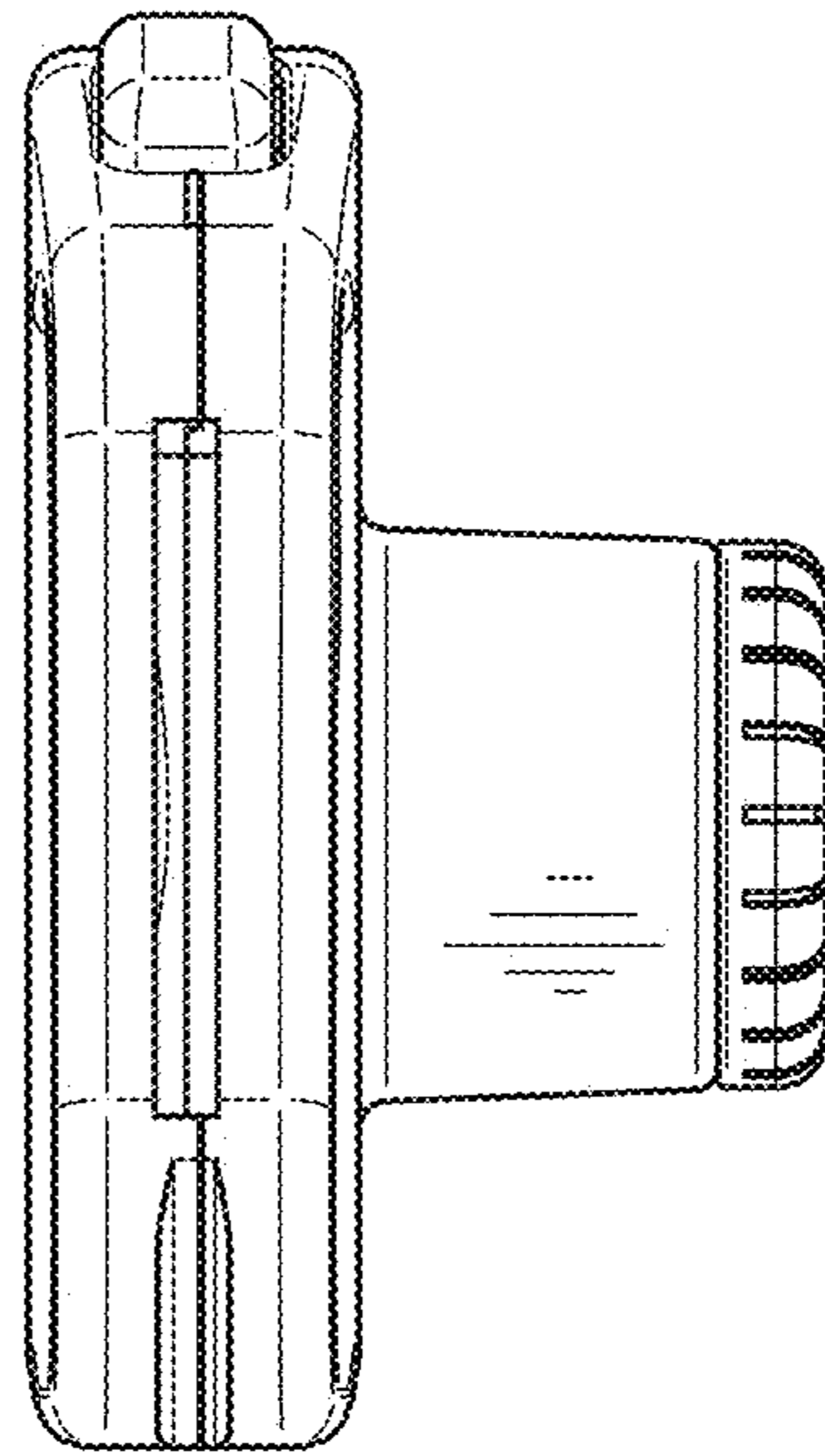


FIG.4

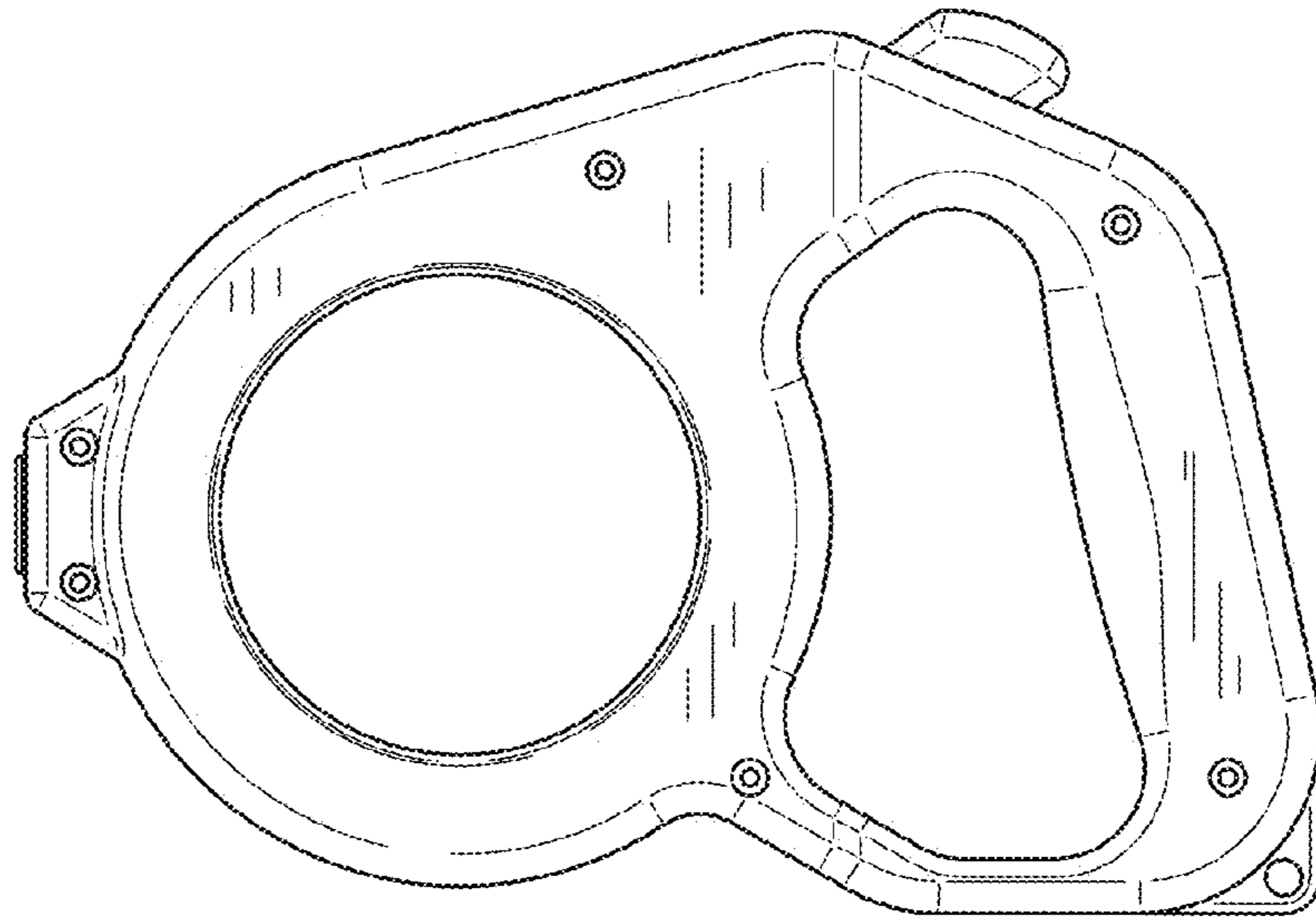


FIG. 5

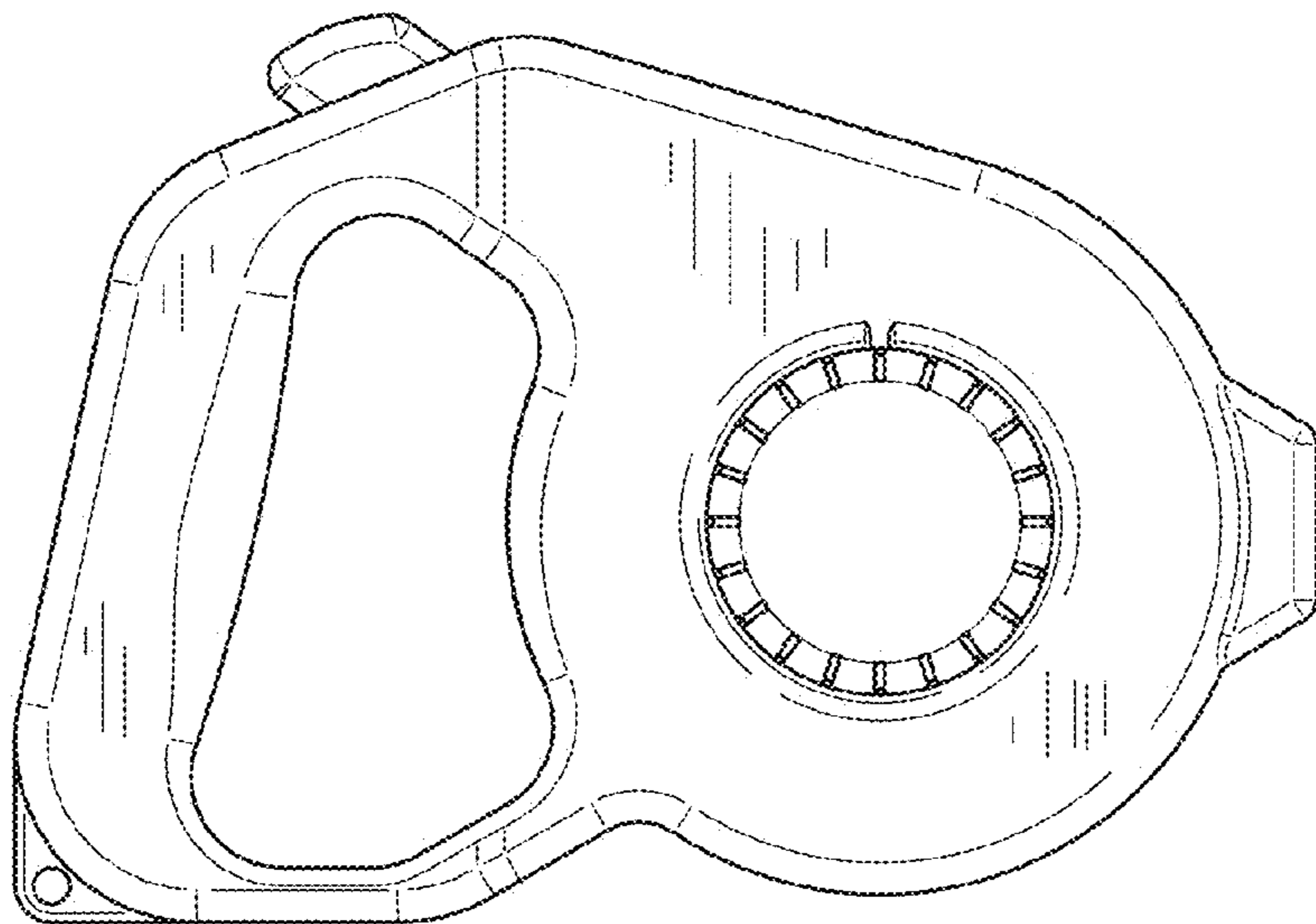


FIG. 6

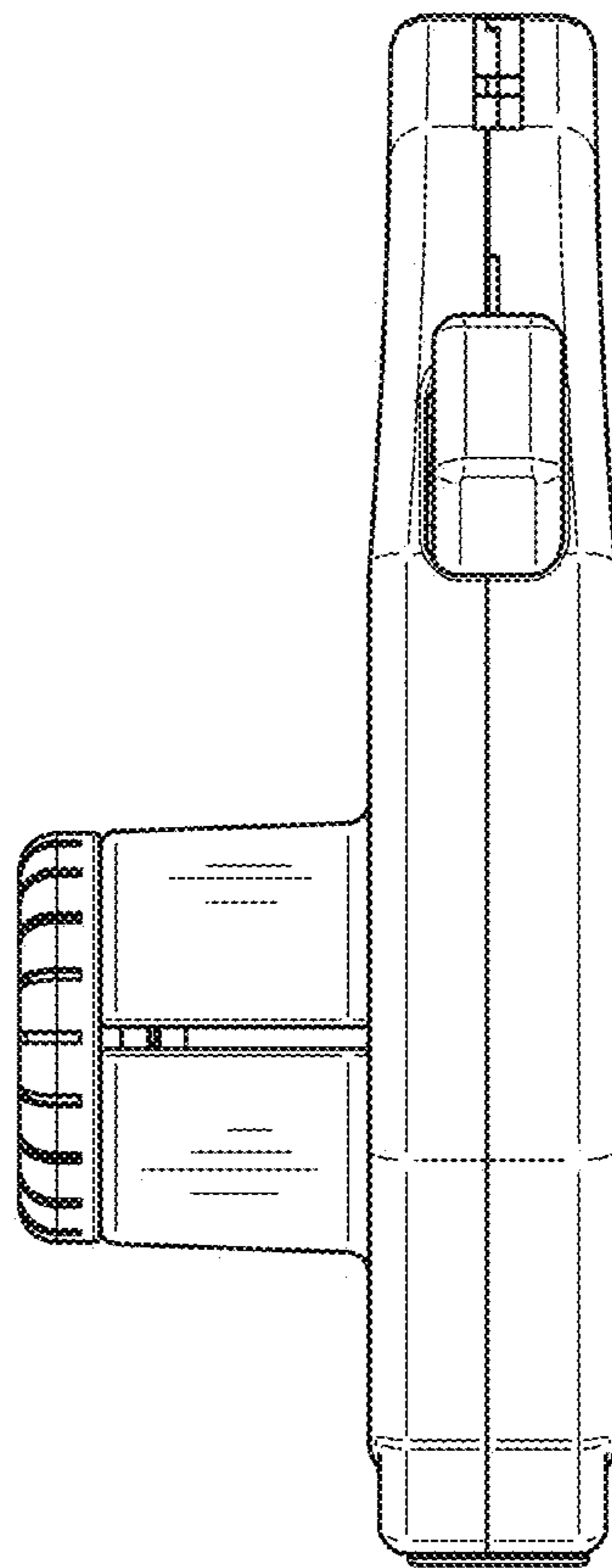


FIG.7

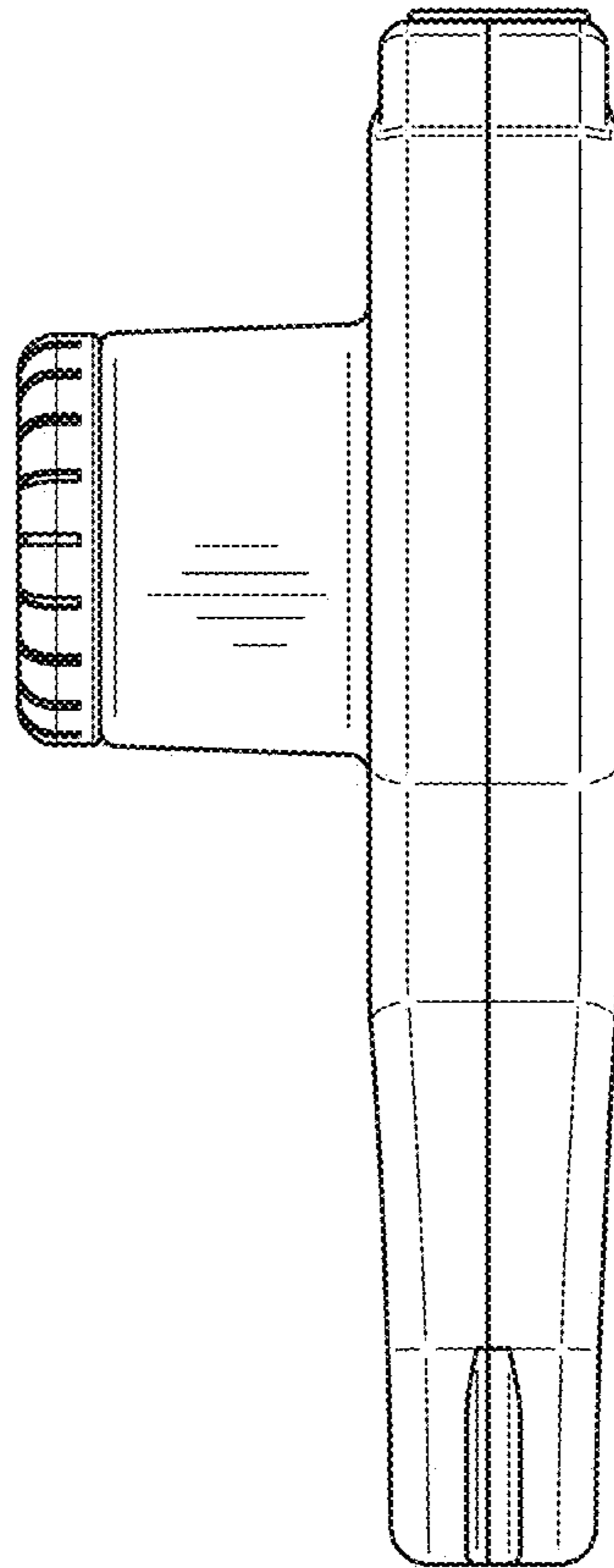


FIG.8